



US00D972652S

(12) **United States Design Patent** (10) **Patent No.:** **US D972,652 S**  
**Wu et al.** (45) **Date of Patent:** **\*\* Dec. 13, 2022**

(54) **ELECTRIC SCOOTER**

(56) **References Cited**

(71) Applicant: **ZHEJIANG TAOTAO VEHICLES CO., LTD.**, Lishui (CN)

U.S. PATENT DOCUMENTS

D446,259 S \* 8/2001 Udwin ..... D21/423  
8,025,305 B1 \* 9/2011 Lin ..... B62K 3/002  
280/301  
D686,674 S \* 7/2013 Hadley ..... D21/423  
(Continued)

(72) Inventors: **Jianbing Wu**, Lishui (CN); **Haibo Zhu**, Lishui (CN); **Matao Cao**, Lishui (CN)

FOREIGN PATENT DOCUMENTS

(73) Assignee: **ZHEJIANG TAOTAO VEHICLES CO., LTD.**, Lushui (CN)

CN 106005189 A \* 10/2016 ..... B62K 11/00  
CN 106428352 A \* 2/2017 ..... B62K 3/002  
(Continued)

(\*\*) Term: **15 Years**

OTHER PUBLICATIONS

(21) Appl. No.: **29/652,091**

Cindy Widner, "Austin's top 10 Bird rides are to restaurants," Aug. 20, 2019, austincurbed.com, site visited Aug. 23, 2021, URL: <https://austin.curbed.com/2019/8/20/20813831/austin-transportation-top-10-scooter-destinations-bird> (Year: 2019).\*

(22) Filed: **May 8, 2020**

(Continued)

(30) **Foreign Application Priority Data**

*Primary Examiner* — Eric L Goodman

*Assistant Examiner* — Sarah L Smith

(74) *Attorney, Agent, or Firm* — Schwegman Lundberg & Woessner, P.A.

Nov. 8, 2019 (CN) ..... 201930613271.8  
Nov. 8, 2019 (CN) ..... 201930613273.7  
Dec. 21, 2019 (CN) ..... 201930717822.5  
Jan. 9, 2020 (CN) ..... 202030012821.3  
Apr. 17, 2020 (CN) ..... 202030156856.4

(51) **LOC (13) Cl.** ..... **21-01**

(52) **U.S. Cl.**  
USPC ..... **D21/423**

(57) **CLAIM**

The ornamental design for an electric scooter, as shown and described.

(58) **Field of Classification Search**  
USPC ..... D21/419, 421, 423, 760, 765, 771;  
D12/1, 8, 107, 110, 112-114  
CPC . B62K 3/002; B62K 9/00; B62K 9/02; B62K  
2202/00; B62K 13/00; B62K 11/00;  
B62K 11/02; B62K 11/06; B62K 11/10;  
B62K 15/00; B62K 17/00; B60Y  
2200/126; H04W 4/40

**DESCRIPTION**

FIG. 1 is a perspective view of an electric scooter showing our new design;  
FIG. 2 is a front view thereof;  
FIG. 3 is a rear view thereof;  
FIG. 4 is a left view thereof;  
FIG. 5 is a right view thereof;

See application file for complete search history.

(Continued)

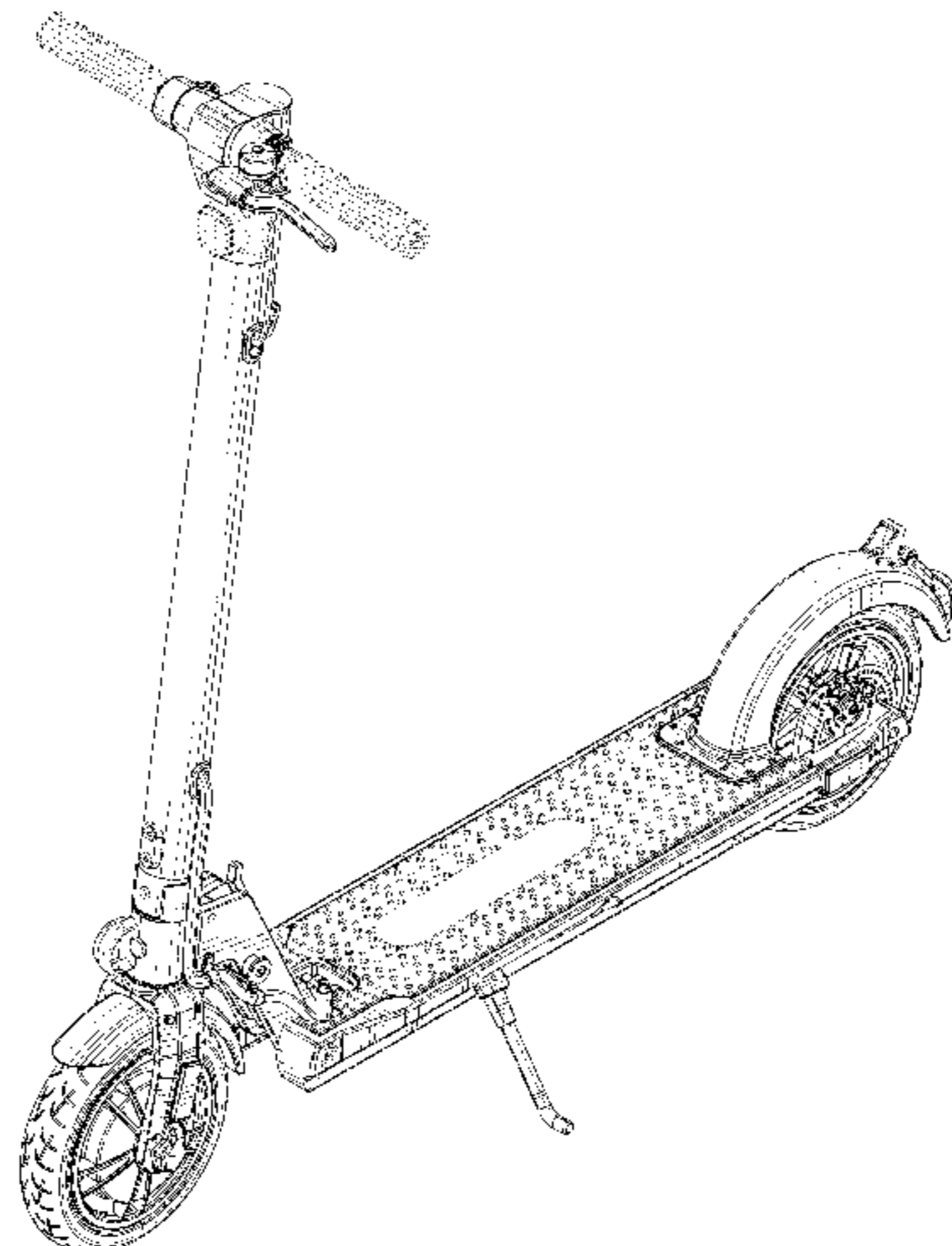


FIG. 6 is a top view thereof; and,  
 FIG. 7 is a bottom view thereof.  
 The broken line showing of the electric scooter is for the  
 purpose of illustrating portions thereof and forms no part of  
 the claimed design.

**1 Claim, 7 Drawing Sheets**

D923,715 S *	6/2021	Wang	.....	D21/423
D927,604 S *	8/2021	Han	.....	D21/423
2014/0203538 A1 *	7/2014	Huang	.....	B62K 3/00 280/639
2016/0009332 A1 *	1/2016	Sirbu	.....	B62K 15/008 180/220
2019/0367124 A1 *	12/2019	Liu	.....	F16F 15/073
2020/0124430 A1 *	4/2020	Bradlow	.....	B62J 99/00
2020/0298928 A1 *	9/2020	Liao	.....	B62K 3/002
2021/0179220 A1 *	6/2021	Ottensosser	.....	B62H 5/001

(56)

**References Cited**

**U.S. PATENT DOCUMENTS**

D855,115 S *	7/2019	Yan	.....	D21/423
D877,257 S *	3/2020	Cao	.....	B62K 3/002 D21/423
D877,258 S *	3/2020	Cao	.....	B62H 5/001 D21/423
D889,557 S *	7/2020	Cao	.....	F16F 15/073 D21/423
D890,852 S *	7/2020	Yang	.....	D21/423
D903,002 S *	11/2020	Wang	.....	D21/423
D911,456 S *	2/2021	Yu	.....	D21/423
D911,457 S *	2/2021	Yu	.....	D21/423
D914,103 S *	3/2021	Cao	.....	D21/423
D915,524 S *	4/2021	Cao	.....	D21/423
D916,985 S *	4/2021	Wu	.....	D21/423
D917,624 S *	4/2021	Wu	.....	D21/423
D918,305 S *	5/2021	Fan	.....	D21/423
D921,765 S *	6/2021	Ostergaard	.....	D21/423
D923,103 S *	6/2021	Zheng	.....	D21/423
D923,714 S *	6/2021	Shen	.....	D21/423

**FOREIGN PATENT DOCUMENTS**

CN	304743287	*	7/2018	.....	B62K 3/002
CN	304743288	*	7/2018	.....	
CN	207860371 U	*	9/2018	.....	B62K 25/04
CN	305011231	*	1/2019	.....	
DE	102018107492 A1	*	10/2019	.....	B62K 15/006
DE	102019007916 A1	*	5/2021	.....	B62K 3/002
EM	006147617-0006	*	2/2019	.....	
GB	9006147617-0003	*	2/2019	.....	
WO	WO-2018019156 A1	*	2/2018	.....	B62K 11/00
WO	WO-2019185688 A1	*	10/2019	.....	B62K 3/002
WO	WO-2021040611 A1	*	3/2021	.....	H01Q 1/241

**OTHER PUBLICATIONS**

Nick Start, "A Cyclone of Scooters has Descended on Austin for SXSW, for Better or Worse," Mar. 11, 2019, theverge.com, site visited Aug. 23, 2021, URL: <https://www.theverge.com/2019/3/11/18260154/austin-scooters-bird-lime-uber-jump-sxsw-2019-dangerous-future-urban-transit> (Year: 2019).\*

\* cited by examiner

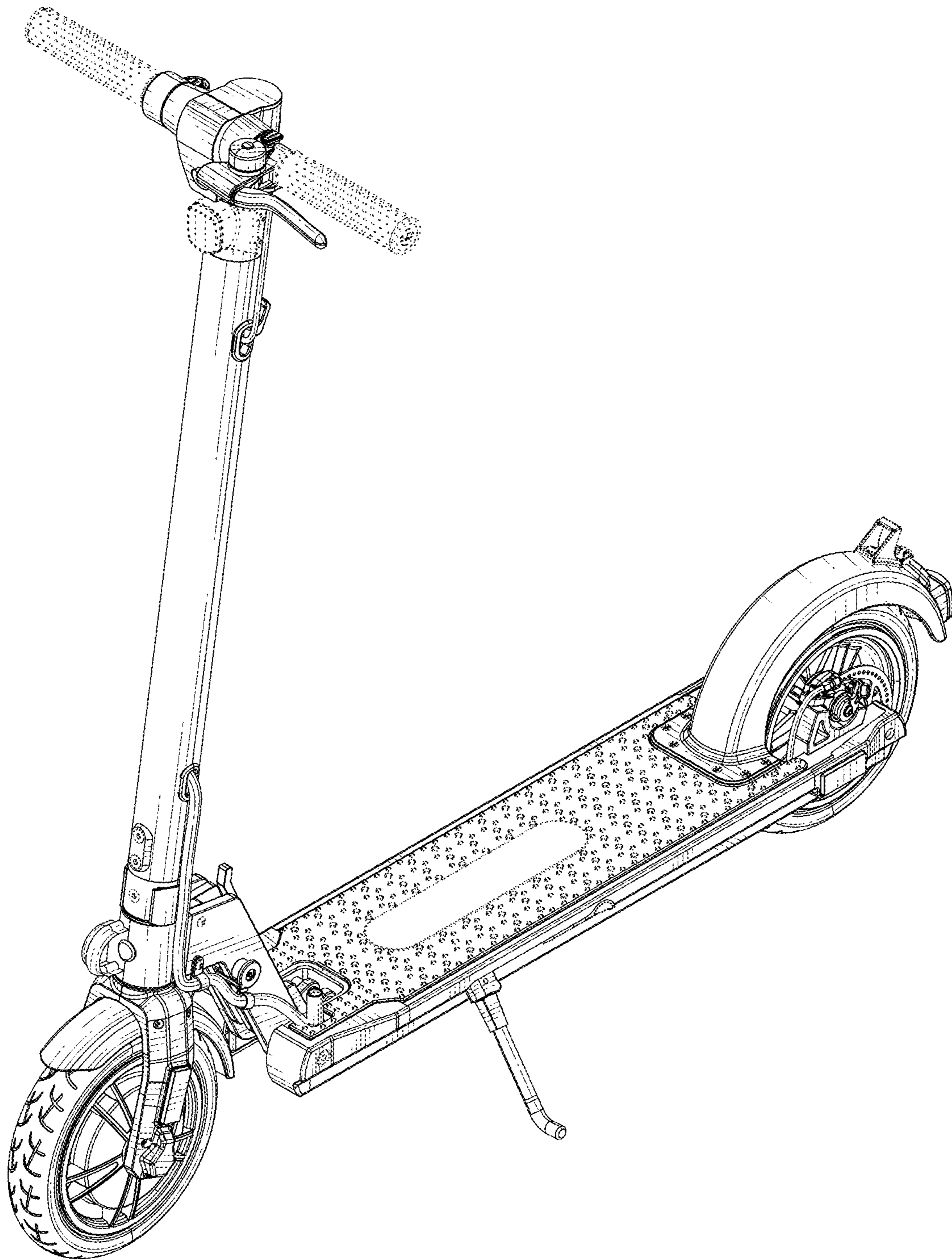


FIG. 1

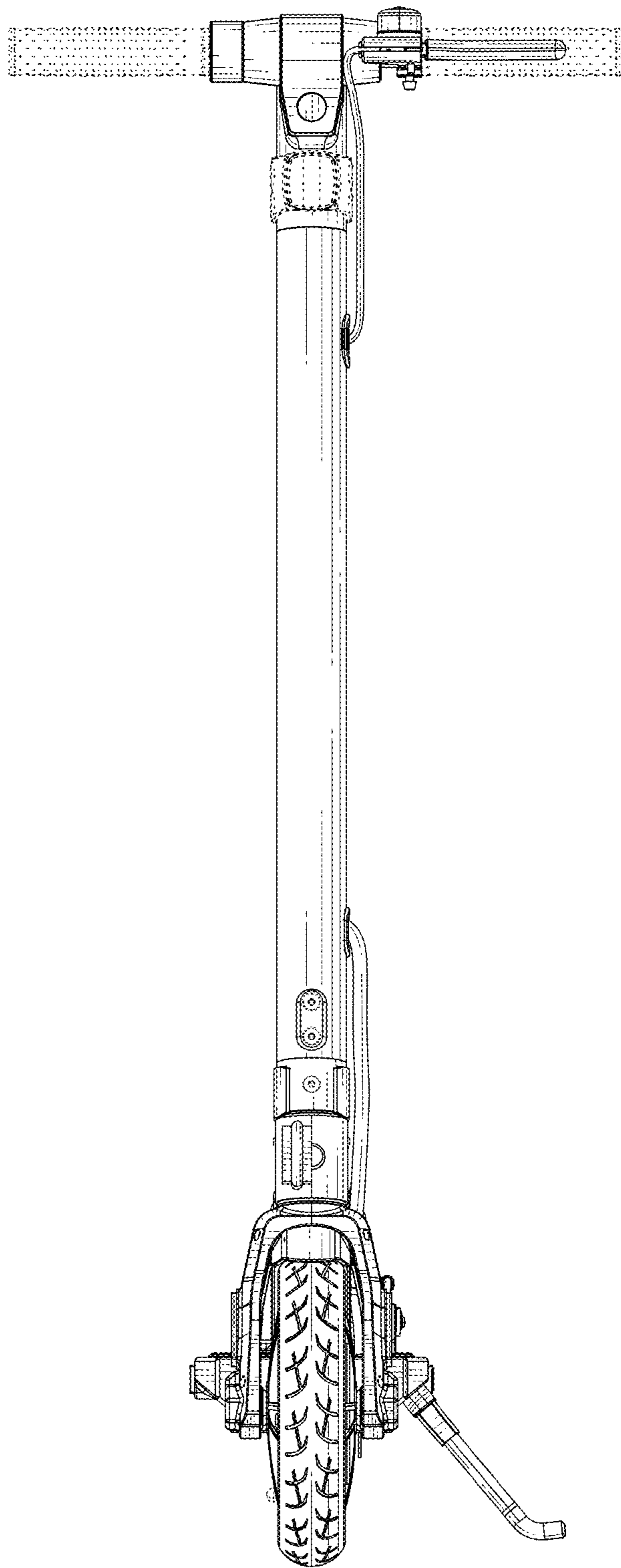


FIG. 2

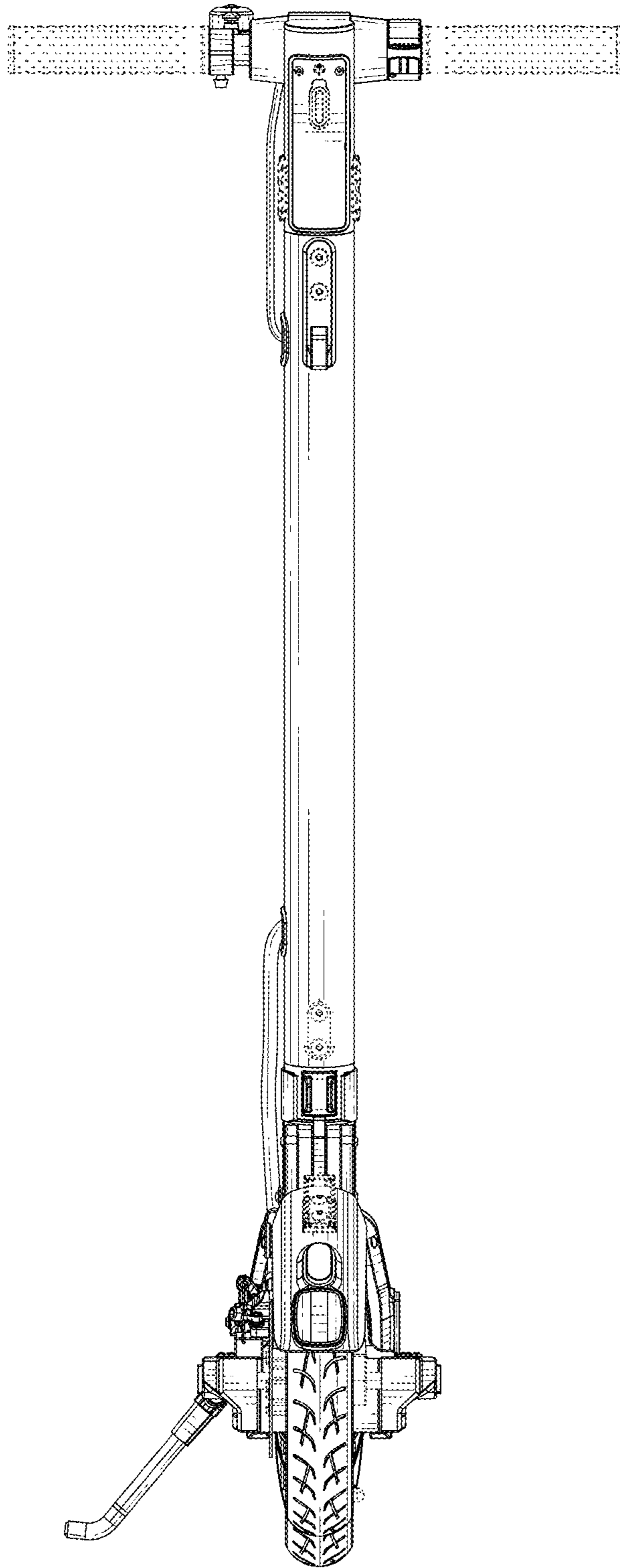


FIG. 3

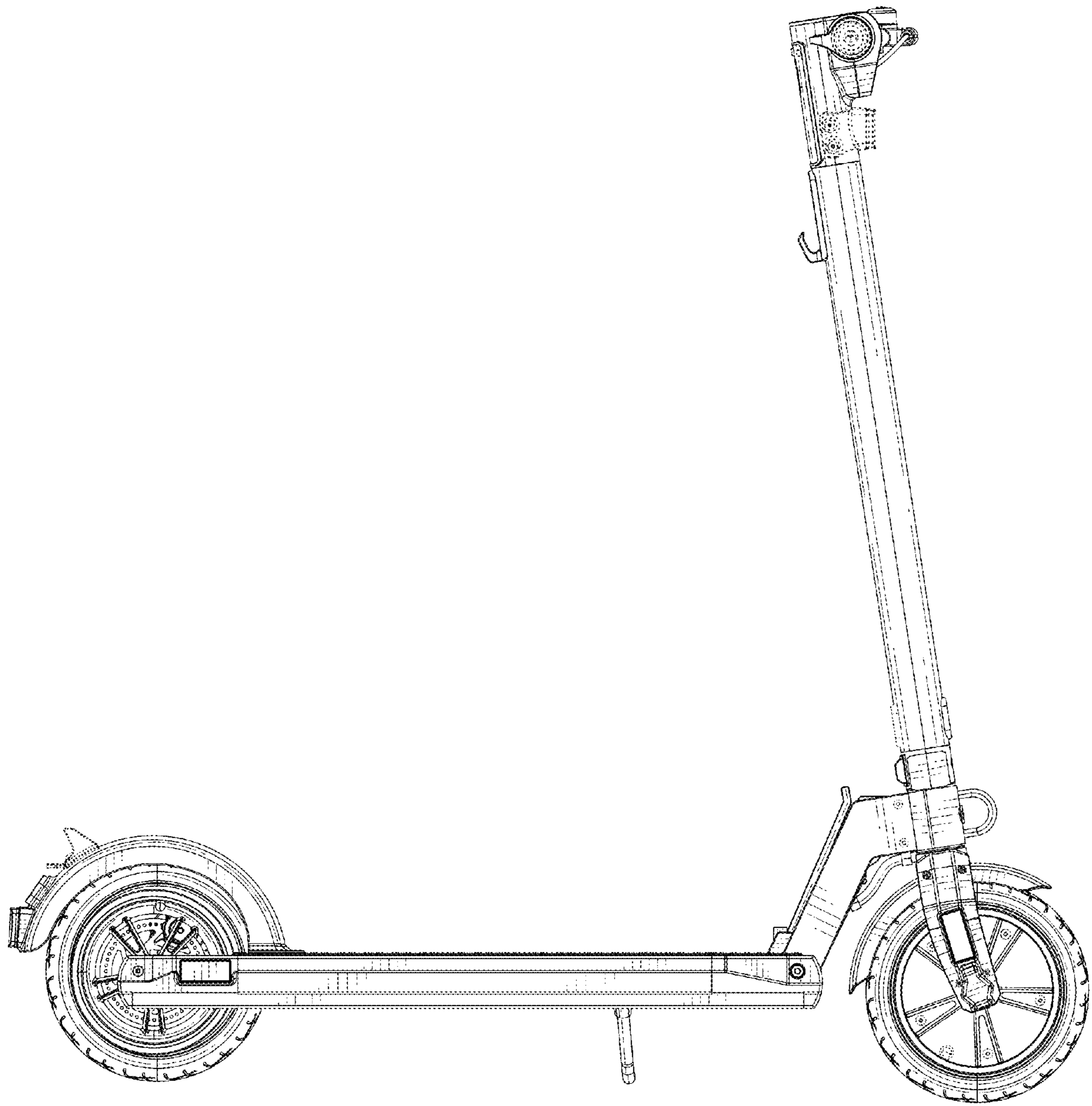


FIG. 4

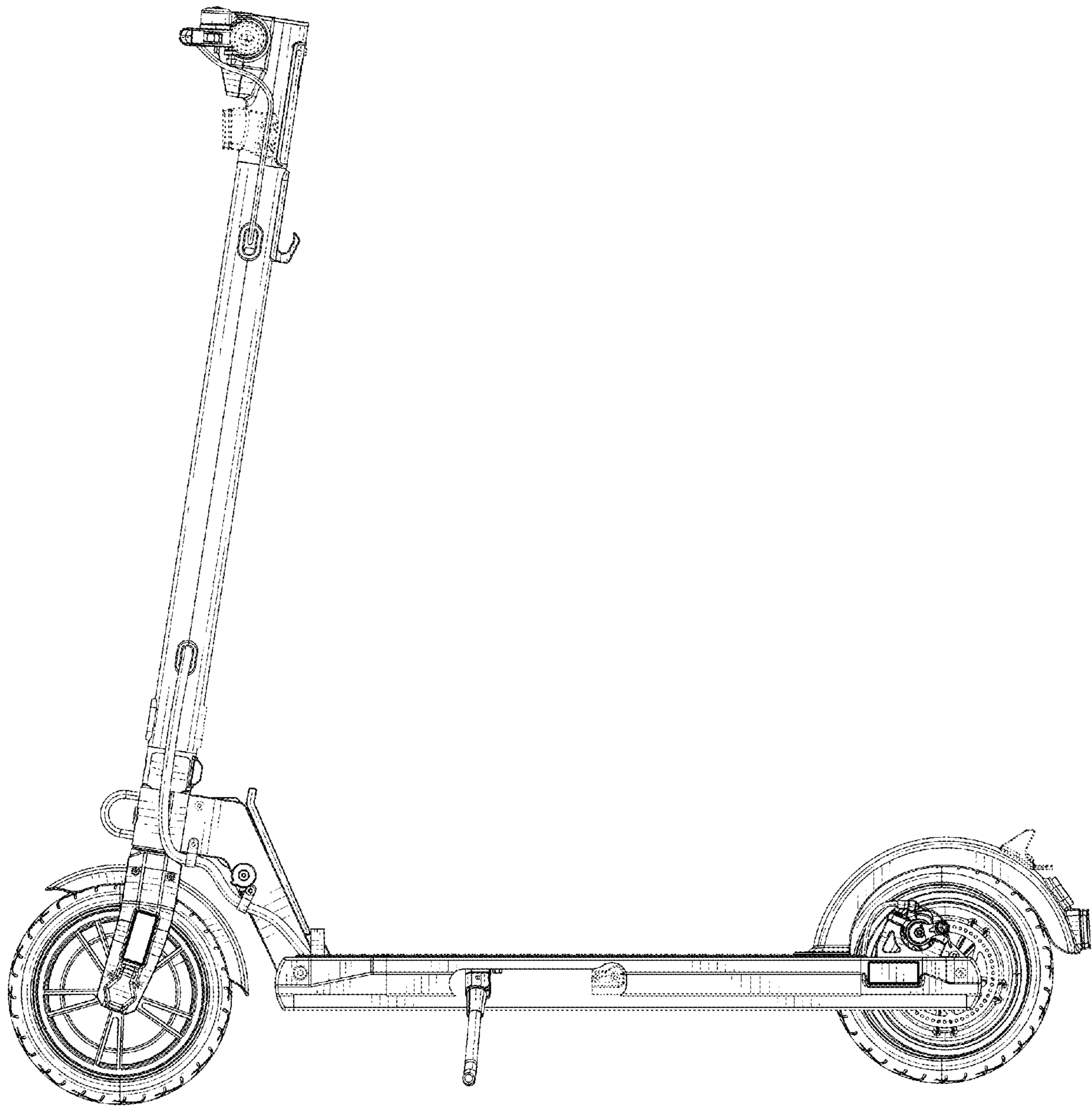


FIG. 5

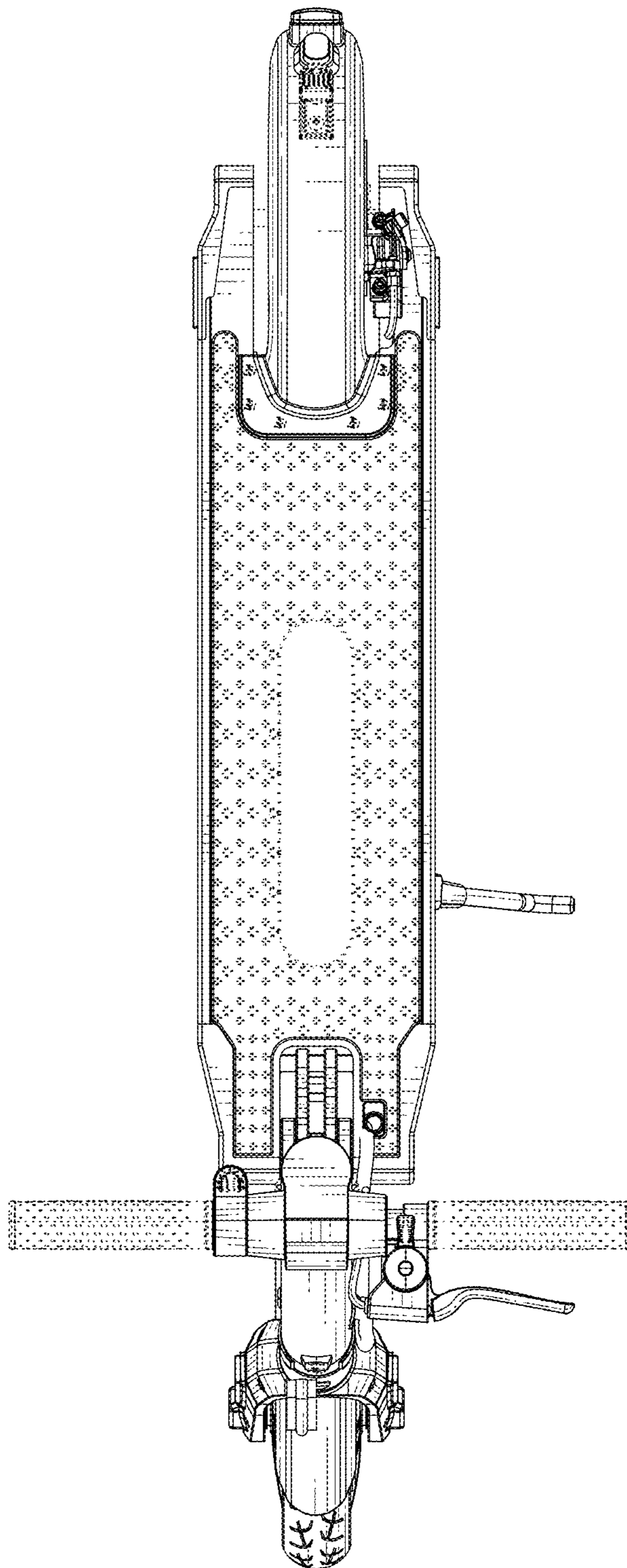


FIG. 6



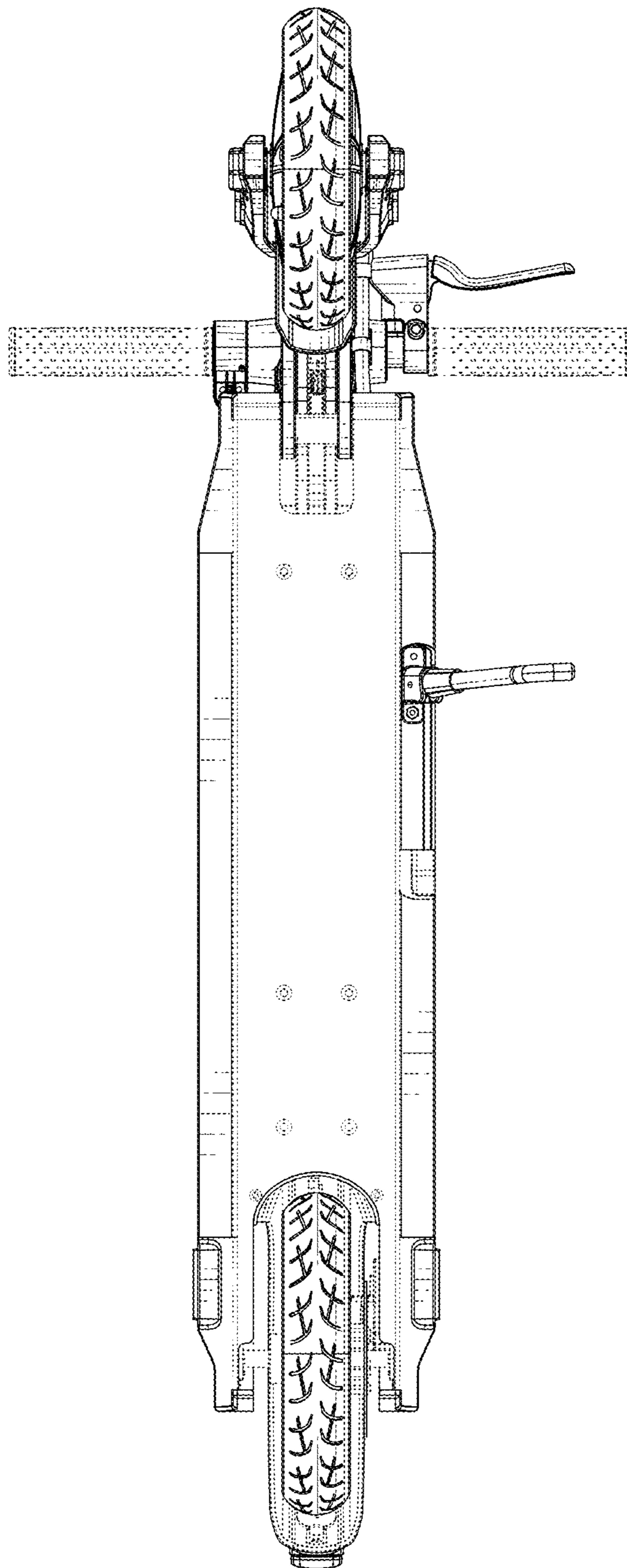


FIG. 7