



US00D972651S

(12) **United States Design Patent**
Cao

(10) **Patent No.:** **US D972,651 S**

(45) **Date of Patent:** **** Dec. 13, 2022**

(54) **MAGNETIC TOY**

(71) Applicant: **Baichuan Cao**, Shenzhen (CN)

(72) Inventor: **Baichuan Cao**, Shenzhen (CN)

(**) Term: **15 Years**

(21) Appl. No.: **29/827,563**

(22) Filed: **Feb. 21, 2022**

(51) **LOC (13) Cl.** **21-01**

(52) **U.S. Cl.**

USPC **D21/404**

(58) **Field of Classification Search**

USPC D21/362, 398, 455, 475, 470, 645, 404,
D21/405, 460, 461, 468, 484, 490, 491,
D21/492, 497, 498, 499, 500, 501, 502,
D21/503, 504, 505; D11/7, 14, 43, 49,
D11/81, 131, 121, 117; D3/207, 211
CPC .. A63F 9/06; A63F 9/08; A63F 9/0826; A63F
9/0842; A63F 7/068; A63F 5/041; A63F
9/16; A63H 33/00; A63H 33/04; A63H
33/046; A63H 33/26; A63H 1/00-10;
A63H 1/12; A63H 1/22-26
See application file for complete search history.

(56) **References Cited**

U.S. PATENT DOCUMENTS

D269,712 S	*	7/1983	Tovey	424/467
D358,659 S	*	5/1995	Rohrabacher	D24/220
D650,304 S	*	12/2011	Tanory, Jr.	D11/43
D697,983 S	*	1/2014	Nelson	D21/453
D725,204 S	*	3/2015	Rub	D21/707
D813,082 S	*	3/2018	Riviere	D11/81
D893,635 S		8/2020	Henkin et al.		
D894,289 S		8/2020	Henkin et al.		
D959,563 S	*	8/2022	Lyu	D21/404

FOREIGN PATENT DOCUMENTS

CN	301247476	*	6/2010
CN	306680810	*	7/2021
CN	306894734	*	10/2021
CN	307281799	*	4/2022
CN	307378506	*	5/2022

OTHER PUBLICATIONS

RoomyRoc Magnetic Fidget, available on Amazon.com, oldest customer review with photo May 25, 2022, [site visited Aug. 18, 2022], URL: <https://www.amazon.com/RoomyRoc-Magnetic-Fidget-Sphere-Pentagons/dp/B09WTTWH1R/> (Year: 2022).*

Luminest Magnetic Sphere, available on Amazon.com, oldest customer review with photo Jul. 9, 2022, [site visited Aug. 18, 2022], URL: <https://www.amazon.com/Luminest-Magnetic-Fidget-Sphere-Pentagons/dp/B09WCKVSRF/> (Year: 2022).*

(Continued)

Primary Examiner — Janice Hallmark

Assistant Examiner — Emily Anna Saunders

(74) *Attorney, Agent, or Firm* — Georgi Korobanov

(57) **CLAIM**

The ornamental design for a magnetic toy, as shown and described.

DESCRIPTION

FIG. 1 is a perspective view of a magnetic toy, showing my new design;

FIG. 2 is a front view thereof;

FIG. 3 is a rear view thereof;

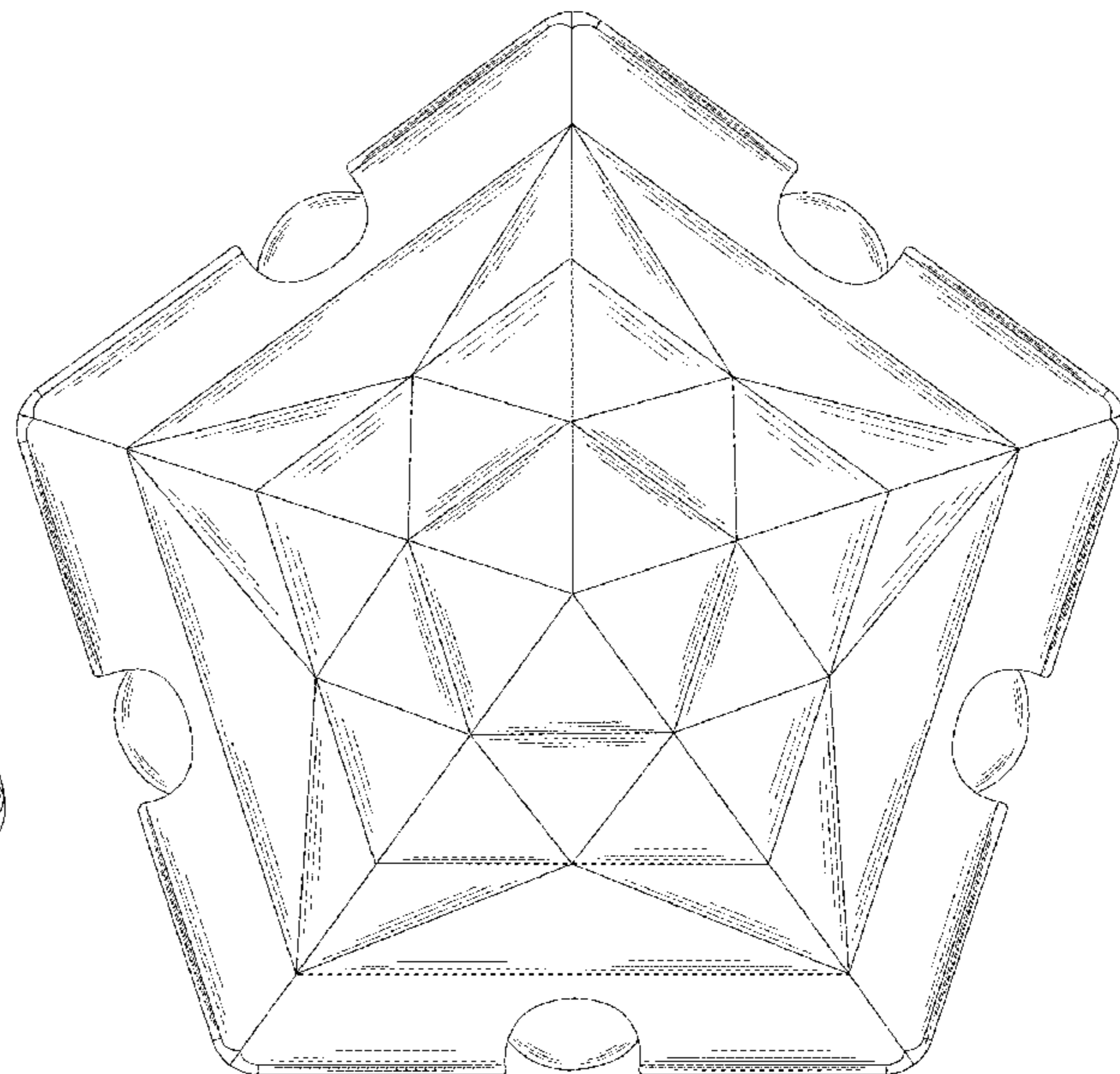
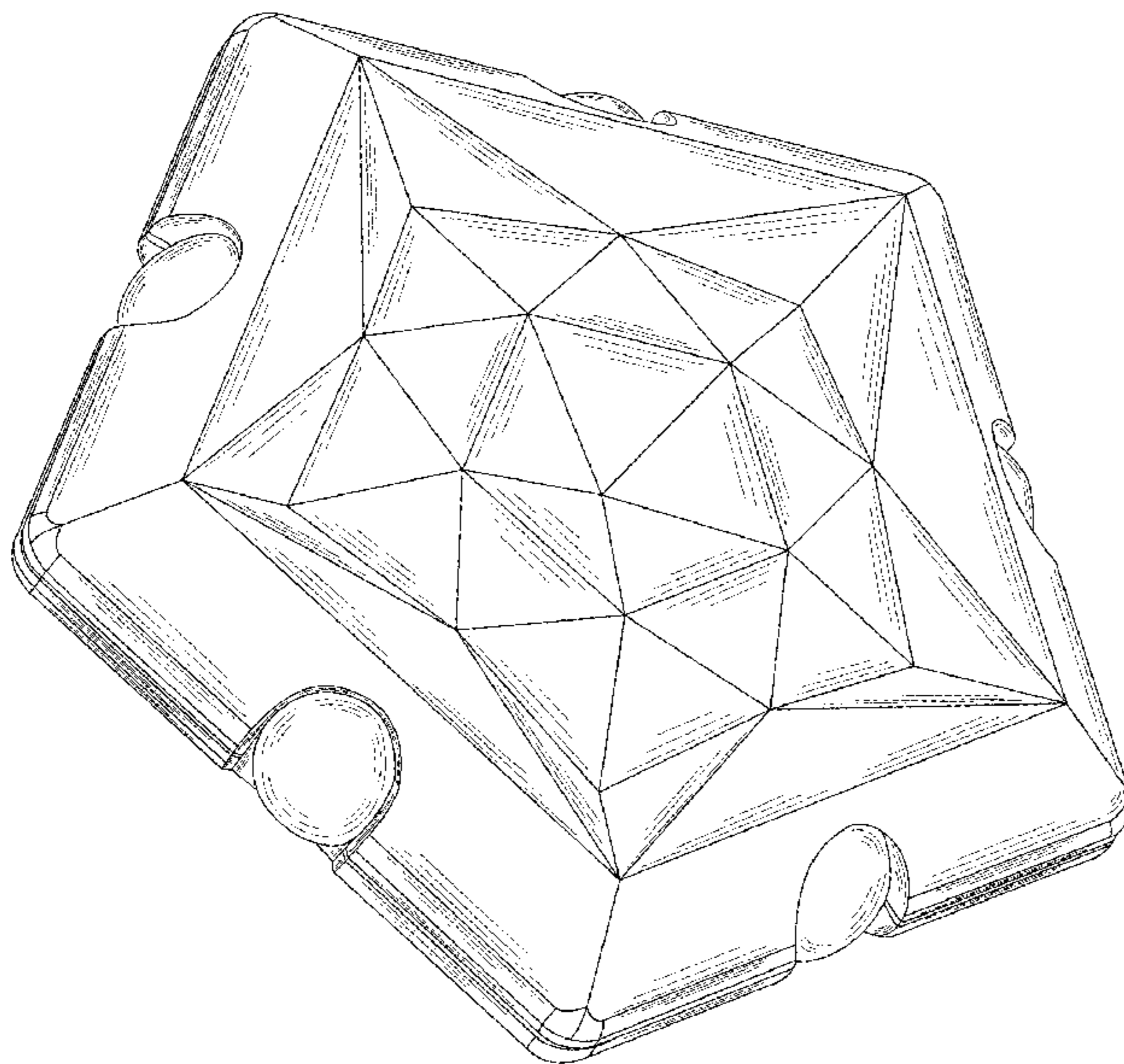
FIG. 4 is a left side view thereof;

FIG. 5 is a right side view thereof;

FIG. 6 is a top plan view thereof; and,

FIG. 7 is a bottom plan view thereof.

1 Claim, 7 Drawing Sheets



(56)

References Cited

OTHER PUBLICATIONS

Magnetic Fidget Sphere, available on Amazon.com, oldest customer review May 8, 2022, [site visited Aug. 18, 2022], URL: <https://www.amazon.com/Magnetic-Fidget-Sphere-Pentagons-Magnets/dp/B09WTTB3VV/> (Year: 2022).*

DYRDM Magnetic Fidget, available on Amazon.com, oldest customer review Apr. 27, 2021, [site visited Aug. 18, 2022], URL: <https://www.amazon.com/DYRDM-Magnetic-Fidget-Pentagons-Building/dp/B09VDCWWFM/> (Year: 2021).*

Meet Geode SPEKS, available on Youtube.com, date posted Sep. 9, 2020, [site visited Aug. 5, 2022], URL: <https://www.youtube.com/watch?v=OzGRAh-jRgc> (Year: 2020).*

AOOMO Magnetic Fidget Spinner Toys 14-Piece Set, available on Amazon.com, oldest customer review Mar. 14, 2022, [site visited Aug. 18, 2022], URL: <https://www.amazon.com/dp/B0B512KTPW/> (Year: 2022).*

* cited by examiner

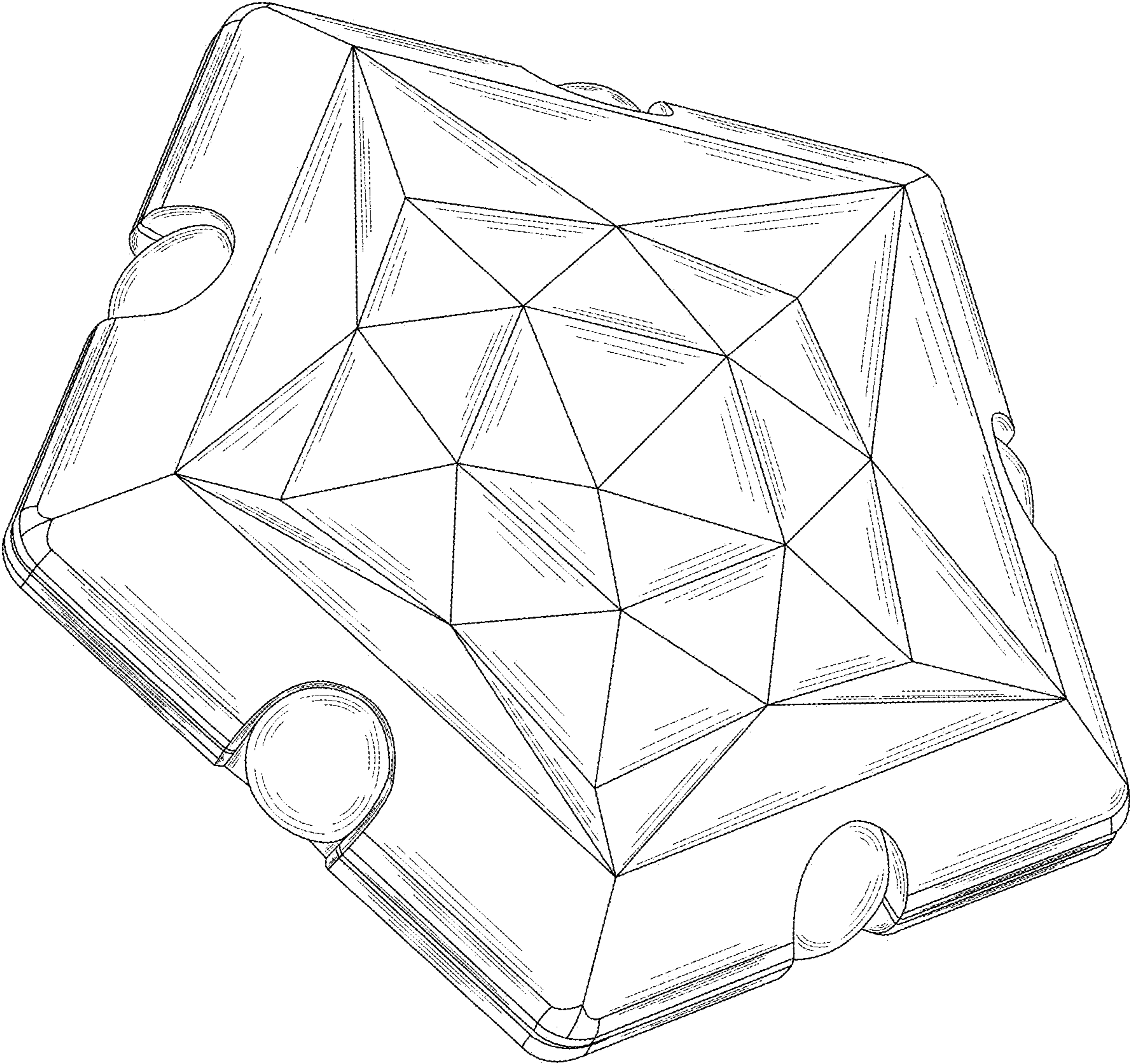


FIG. 1

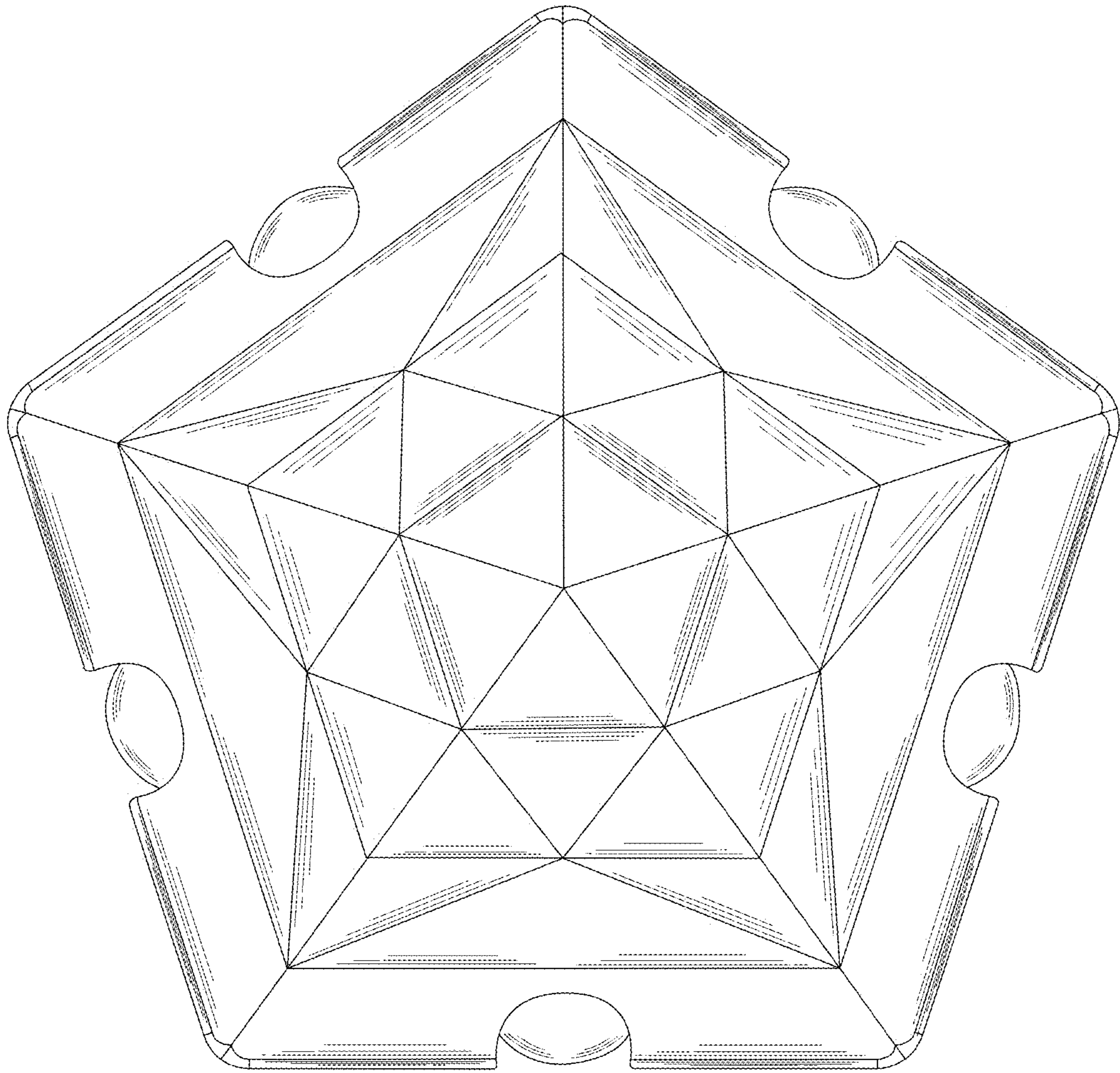


FIG. 2

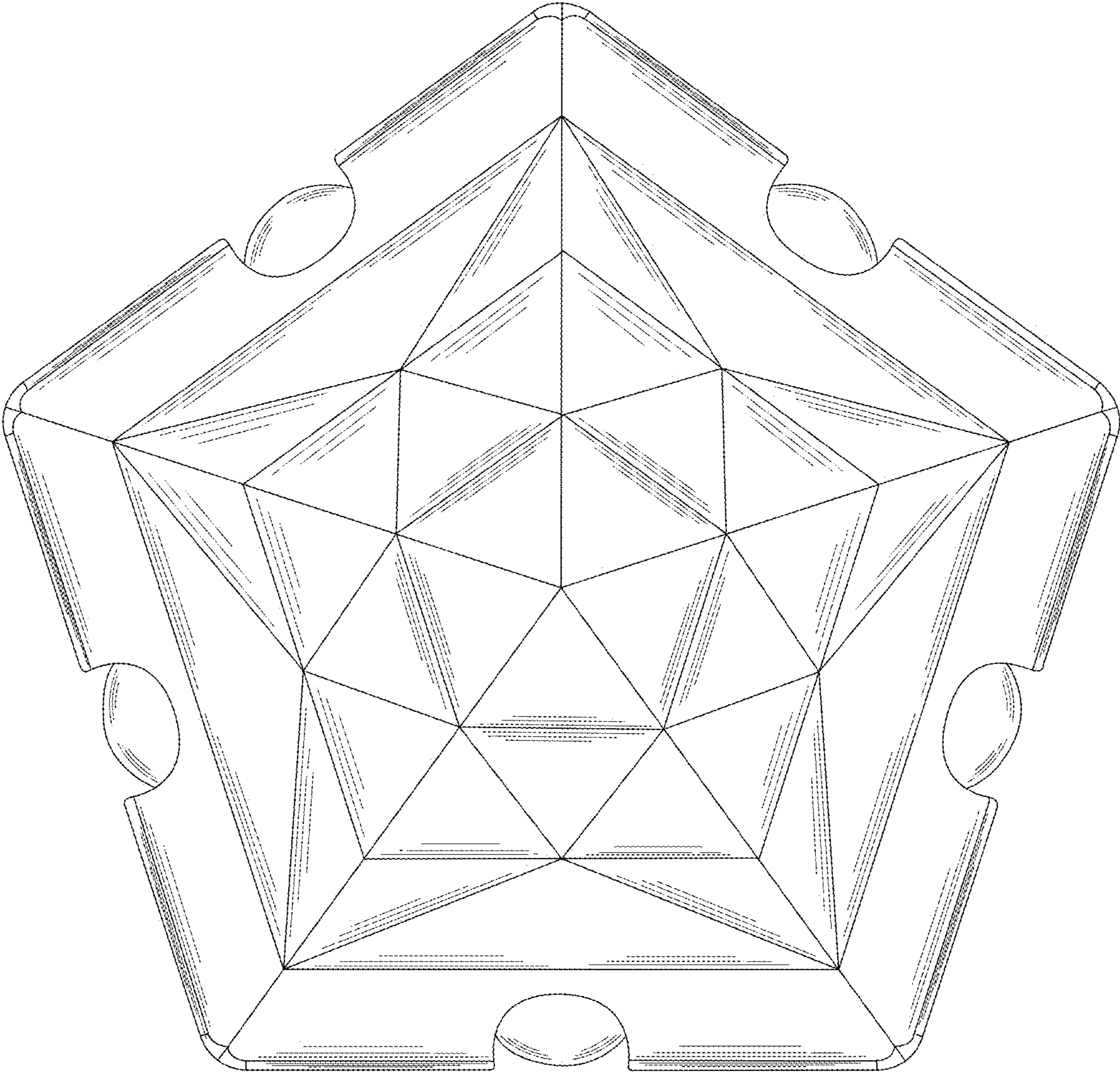


FIG. 3

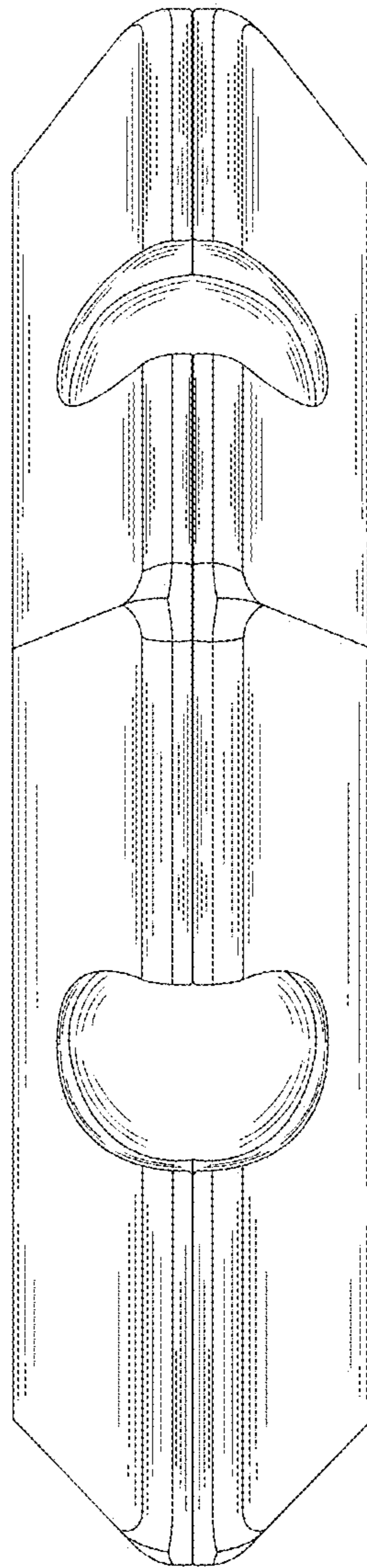


FIG. 4

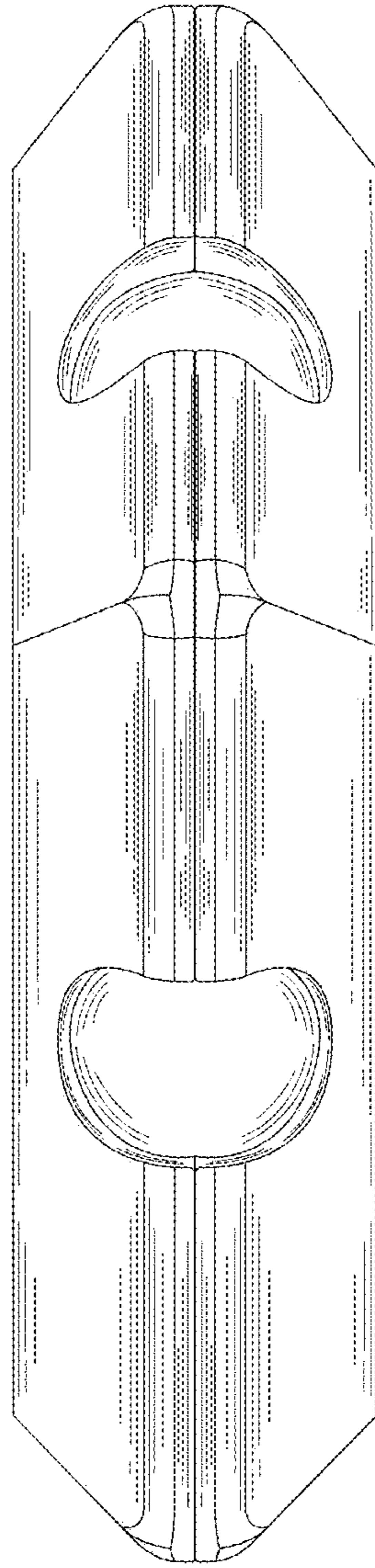


FIG. 5

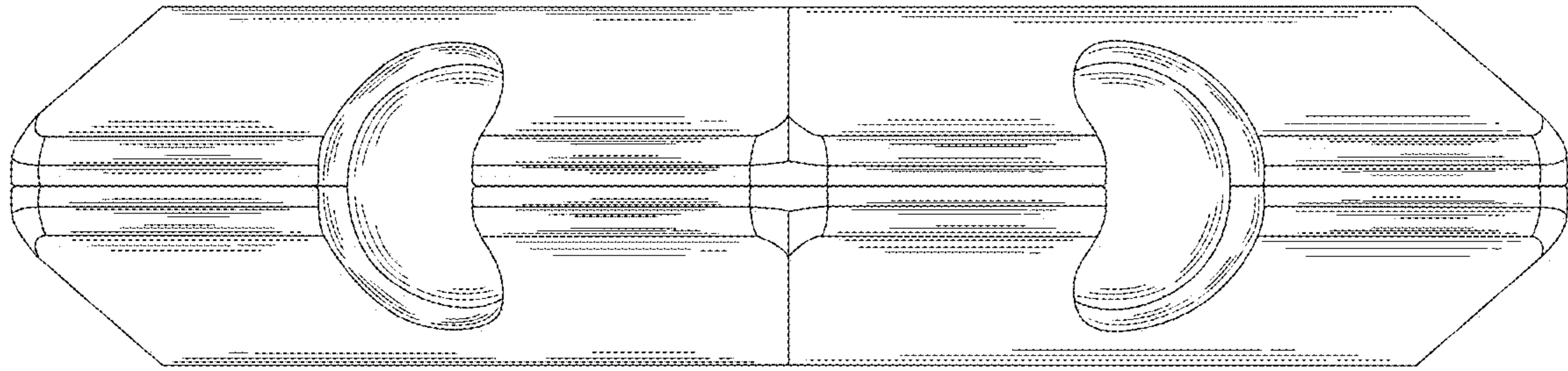


FIG. 6

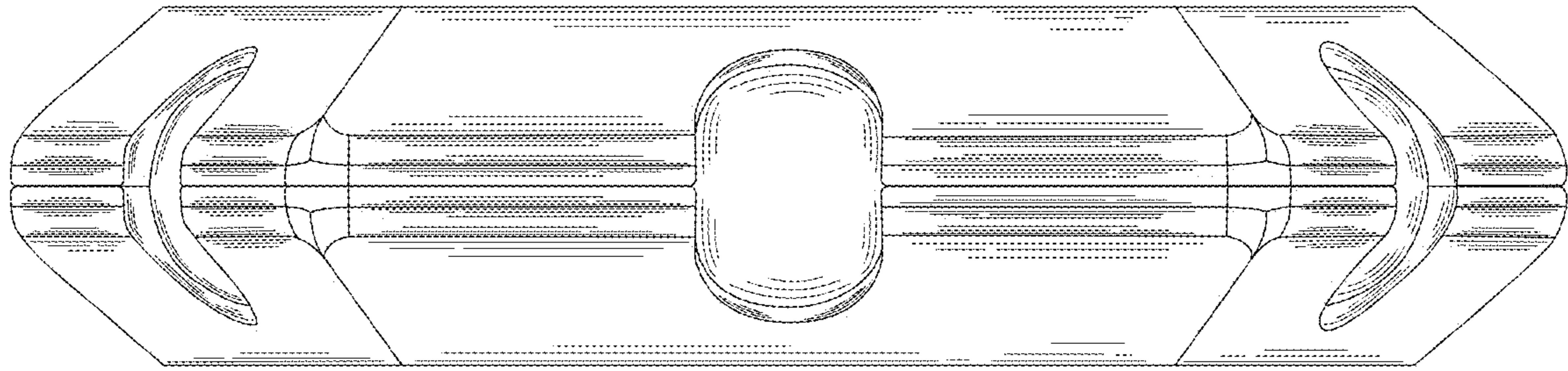


FIG. 7