



US00D972646S

(12) **United States Design Patent**
Conrad

(10) **Patent No.:** **US D972,646 S**

(45) **Date of Patent:** **** Dec. 13, 2022**

(54) **STEERING WHEEL FOR GAME SYSTEMS**

(71) Applicant: **Endor AG**, Landshut (DE)

(72) Inventor: **Bernhard Conrad**, Buch am Erlbach (DE)

(**) Term: **15 Years**

(21) Appl. No.: **35/513,060**

(22) Filed: **Sep. 3, 2021**

(80) **Hague Agreement Data**

Int. Filing Date: **Sep. 3, 2021**

Int. Reg. No.: **DM/217506**

Int. Reg. Date: **Sep. 3, 2021**

Int. Reg. Pub. Date: **Dec. 3, 2021**

(51) **LOC (13) Cl.** **21-01**

(52) **U.S. Cl.**
USPC **D21/333; D12/175; D14/401**

(58) **Field of Classification Search**
USPC D14/174, 218, 387-389, 400-418,
D14/426-431, 443, 449-450, 454, 471,
D14/511; D21/333, 363, 368;
D12/175-177

CPC A63F 13/42; A63F 13/98; A63F 13/24;
G06F 3/0338

See application file for complete search history.

(56) **References Cited**

U.S. PATENT DOCUMENTS

- D380,503 S * 7/1997 Tyler D21/385
- D451,557 S * 12/2001 Yu D21/333
- D463,336 S * 9/2002 Prather D12/176
- D479,168 S * 9/2003 Faust D12/176
- D497,365 S * 10/2004 Hussaini D14/416
- 6,976,677 B1 * 12/2005 McVicar A63F 13/02
463/47
- D548,653 S * 8/2007 Costa D14/218

- D568,409 S * 5/2008 Ikeda D14/416
- D573,198 S * 7/2008 Bramfitt D21/324
- D586,865 S * 2/2009 Ko D21/324
- D644,580 S * 9/2011 Markowitz D12/176
- D659,613 S * 5/2012 Tanaka D12/176
- D706,186 S * 6/2014 Fukaya D12/176
- D787,994 S * 5/2017 Carbone D12/175
- D820,177 S * 6/2018 Buffery D12/176
- D911,447 S * 2/2021 Conrad D21/333
- D936,539 S * 11/2021 Papis D12/177
- D954,840 S * 6/2022 Jackermeier D21/333
- D954,841 S * 6/2022 Conrad D21/333
- D960,245 S * 8/2022 Jackermeier D21/333
- 2006/0258452 A1 * 11/2006 Hsu A63F 13/08
463/36

* cited by examiner

Primary Examiner — Tracey J Bell

Assistant Examiner — Melvin L Davis

(57) **CLAIM**

The ornamental design for a steering wheel for game systems, as shown and described.

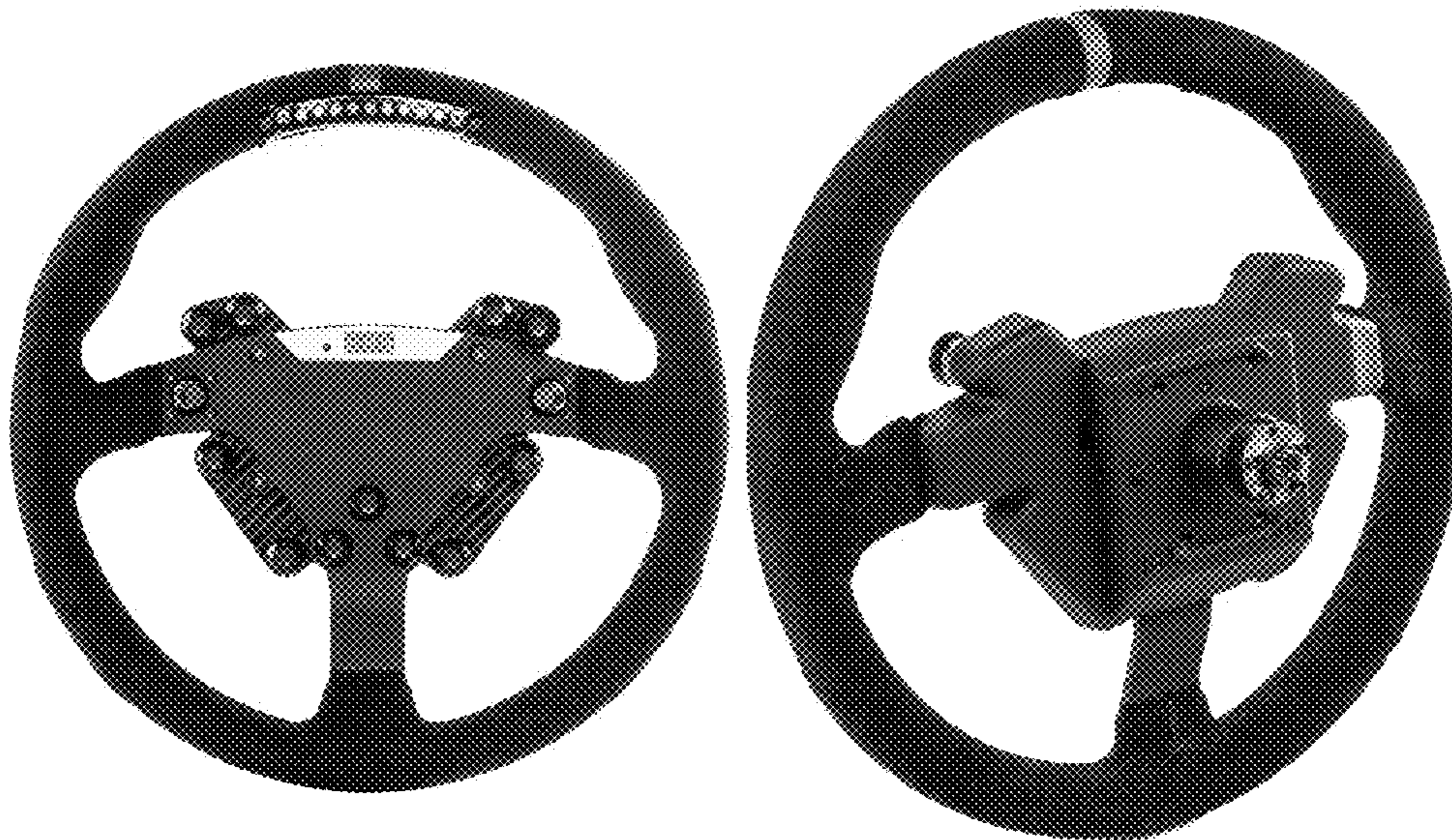
DESCRIPTION

The file of this patent contains at least one drawing/photograph executed in color. Copies of this patent with color drawing(s)/photograph(s) will be provided by the Office upon request and payment of the necessary fee.

1. Steering wheel for game systems

- 1.1 : Front
- 1.2 : Back
- 1.3 : Right
- 1.4 : Left
- 1.5 : Top
- 1.6 : Bottom
- 1.7 : Perspective

1 Claim, 7 Drawing Sheets
(7 of 7 Drawing Sheet(s) Filed in Color)



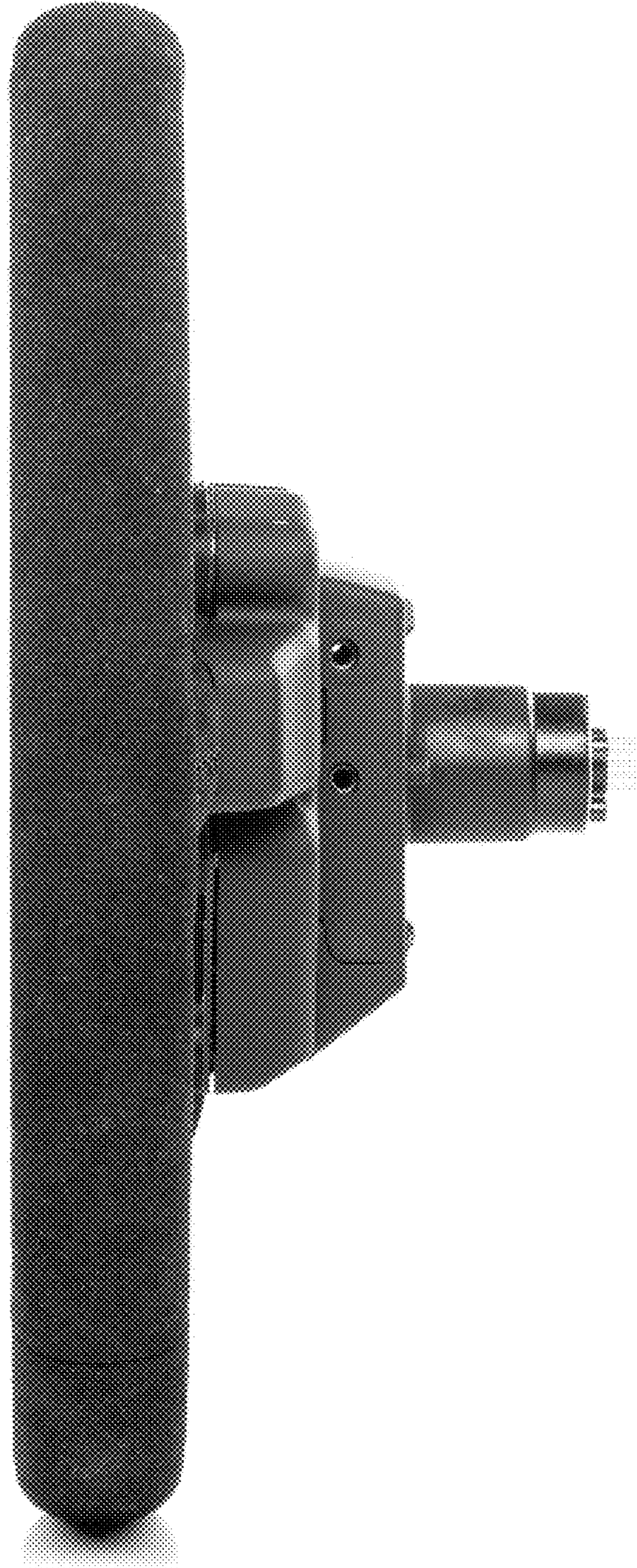
1.1



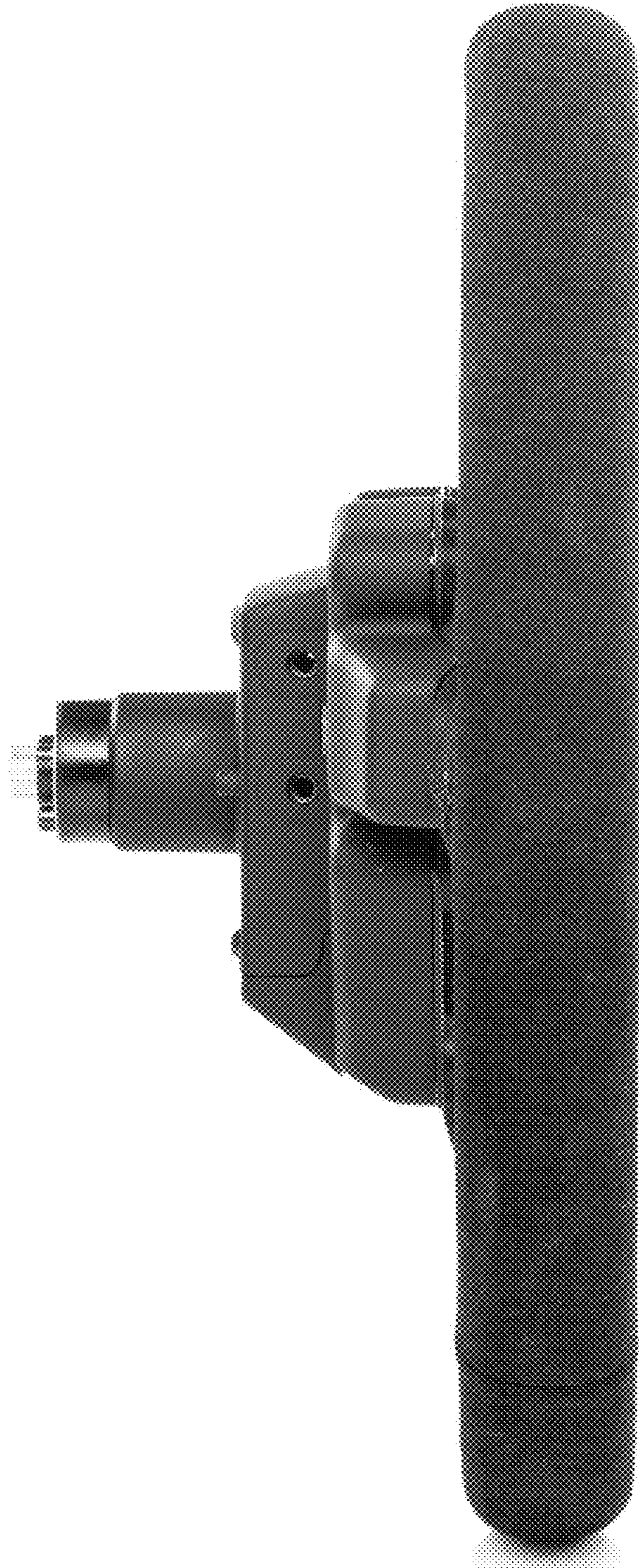
1.2



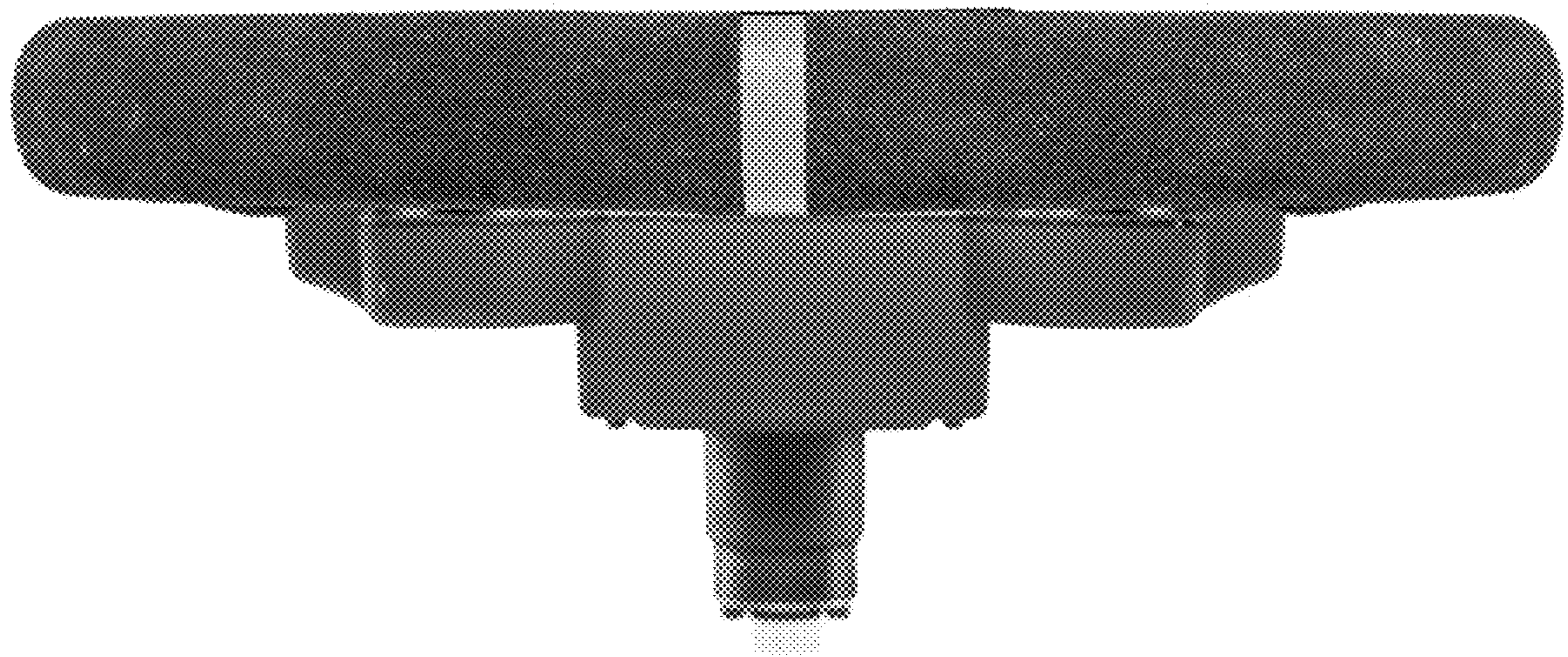
1.3



1.4



1.5



1.6



1.7

