



US00D972641S

(12) **United States Design Patent**  
**Cho et al.**

(10) **Patent No.:** **US D972,641 S**

(45) **Date of Patent:** **\*\* \*Dec. 13, 2022**

(54) **ELECTRONIC SHELF LABEL**

(71) Applicant: **SOLUM CO., LTD.**, Yongin-si (KR)

(72) Inventors: **Hyun Hun Cho**, Hwaseong-si (KR);  
**Yong Bum Lim**, Yongin-si (KR); **Mi Deum Choi**, Suwon-si (KR); **Kang Ig Kim**, Hwaseong-si (KR)

(73) Assignee: **SOLUM CO., LTD.**, Yongin-si (KR)

(\*) Notice: This patent is subject to a terminal disclaimer.

(\*\*) Term: **15 Years**

(21) Appl. No.: **29/733,631**

(22) Filed: **May 5, 2020**

(30) **Foreign Application Priority Data**

Apr. 17, 2020 (KR) ..... 30-2020-0017047

(51) **LOC (13) Cl.** ..... **20-02**

(52) **U.S. Cl.**  
USPC ..... **D20/42; D20/27**

(58) **Field of Classification Search**  
USPC ..... D10/113.4; D14/125, 126, 371; D20/10,  
D20/19, 22, 27, 39, 41, 42, 99  
CPC ..... G09F 7/00; G09F 7/02; G09F 7/16; G09F  
9/00; G09F 9/3026; G09F 9/33; G09F  
9/35; G09F 13/00; G09F 13/22; G09F  
15/00; G09F 15/0056; G09F 15/0068;  
G06F 3/14; H01R 13/514

See application file for complete search history.

(56) **References Cited**

U.S. PATENT DOCUMENTS

D582,916 S \* 12/2008 Wada ..... D14/371  
D582,917 S \* 12/2008 Wada ..... D14/371  
D695,410 S \* 12/2013 Becker ..... D24/186  
D721,075 S \* 1/2015 Toda ..... D14/342  
D755,147 S \* 5/2016 Lin ..... D14/138 G

D761,901 S \* 7/2016 Kim ..... D18/41  
D781,800 S \* 3/2017 Kluser ..... D14/126  
D786,238 S \* 5/2017 Roberts ..... D14/341  
9,679,310 B1 \* 6/2017 Saltzstein ..... G06F 3/043  
9,704,466 B2 \* 7/2017 Uetabira ..... H04R 1/345  
D794,630 S \* 8/2017 Pendse ..... D14/341  
D801,968 S \* 11/2017 Johnson ..... D14/371  
10,083,390 B2 \* 9/2018 Kim ..... G06K 19/0775

(Continued)

FOREIGN PATENT DOCUMENTS

EM 002609727-0004 2/2015

OTHER PUBLICATIONS

E shelf labels, posted at e-shelf-labels.com, posted on Sep. 19, 2020, site visited Nov. 17, 2021. online, available from internet: <https://web.archive.org/web/20200919160747/https://www.e-shelf-labels.com/news/news-about-labels-and-signage/solum-as-new-solution-partner-of-e-shelf-labels.html> (Year: 2020).\*

*Primary Examiner* — Catherine Ho

(74) *Attorney, Agent, or Firm* — Morgan, Lewis & Bockius LLP

(57) **CLAIM**

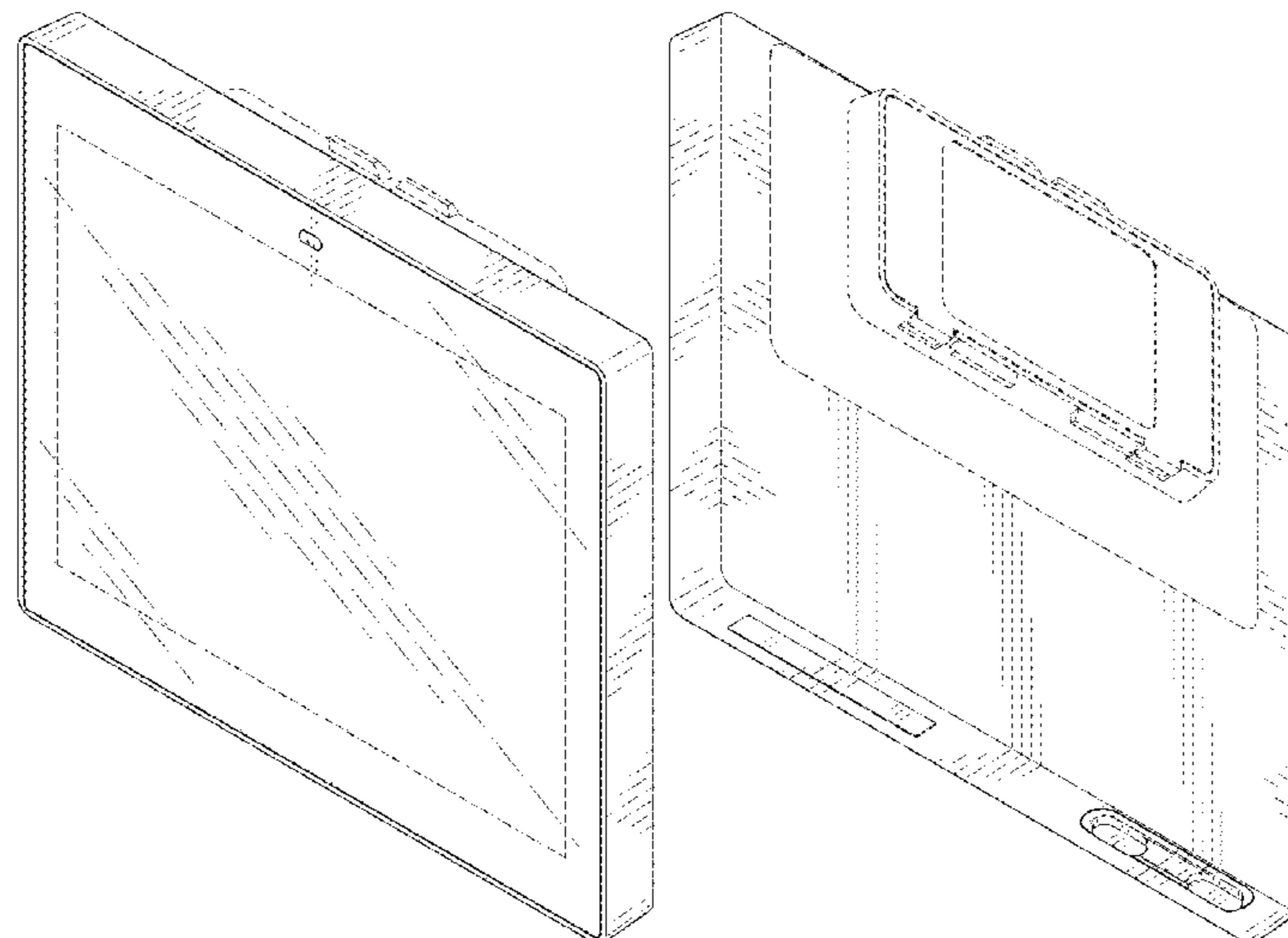
The ornamental design for an electronic shelf label, as shown and described.

**DESCRIPTION**

FIG. 1 is a front perspective view of an electronic shelf label showing the new design;  
FIG. 2 is a rear perspective view thereof;  
FIG. 3 is a front view thereof;  
FIG. 4 is a rear view thereof;  
FIG. 5 is a left side view thereof;  
FIG. 6 is a right side view thereof;  
FIG. 7 is a top view thereof; and,  
FIG. 8 is a bottom view thereof.

The broken lines in the drawings illustrate unclaimed subject matter and form no part of the claimed design.

**1 Claim, 6 Drawing Sheets**



(56)

**References Cited**

## U.S. PATENT DOCUMENTS

D836,580 S \* 12/2018 Ostensen ..... D14/126  
D842,857 S \* 3/2019 Kimura ..... D14/371  
D852,272 S \* 6/2019 Lim ..... D19/113  
D854,429 S \* 7/2019 Gentle ..... D10/50  
D862,909 S \* 10/2019 Zhou ..... D6/308  
D871,358 S \* 12/2019 Kim ..... D14/126  
D874,950 S \* 2/2020 Gentle ..... D10/50  
D875,095 S \* 2/2020 Gan ..... D14/374  
D876,431 S \* 2/2020 Pendse ..... D14/341  
D878,376 S \* 3/2020 Claudepierre ..... D14/440  
D882,528 S \* 4/2020 Fariello ..... D13/162  
D882,966 S \* 5/2020 Jiang ..... D6/308  
D882,967 S \* 5/2020 Jiang ..... D6/308  
D893,201 S \* 8/2020 Jiang ..... D6/308  
D900,807 S \* 11/2020 Nishizawa ..... D14/341  
D901,499 S \* 11/2020 Clinton ..... D14/371  
D902,926 S \* 11/2020 Andersson ..... D14/371  
D908,122 S \* 1/2021 Luo ..... D14/336  
D913,281 S \* 3/2021 Kang ..... D14/341  
2011/0239509 A1 \* 10/2011 Horikiri ..... G09F 7/08  
40/661.08  
2015/0301778 A1 \* 10/2015 Lim ..... G06K 19/07758  
361/679.21  
2016/0260163 A1 \* 9/2016 Sjodin ..... G06Q 30/0641

\* cited by examiner

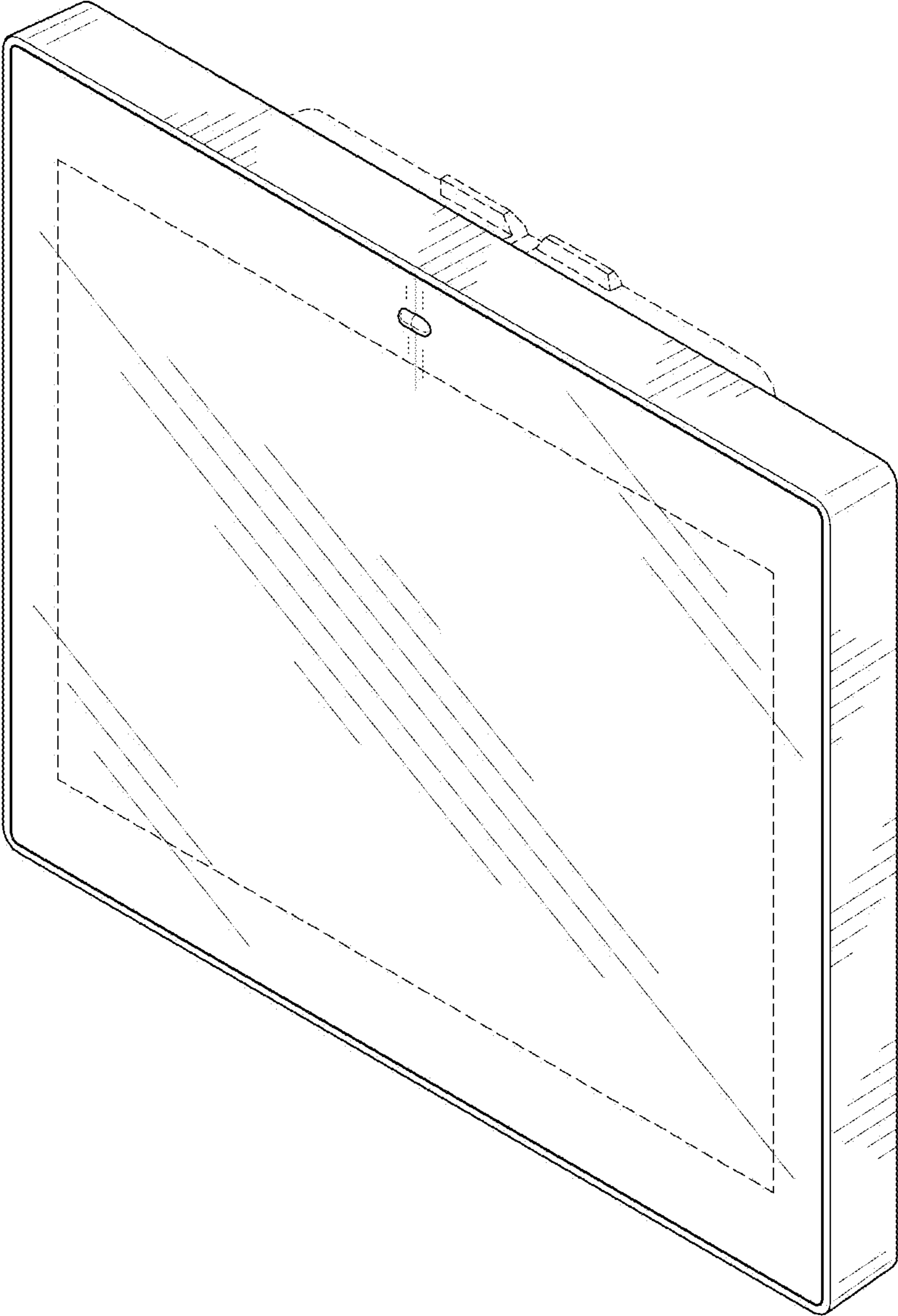


FIG. 1

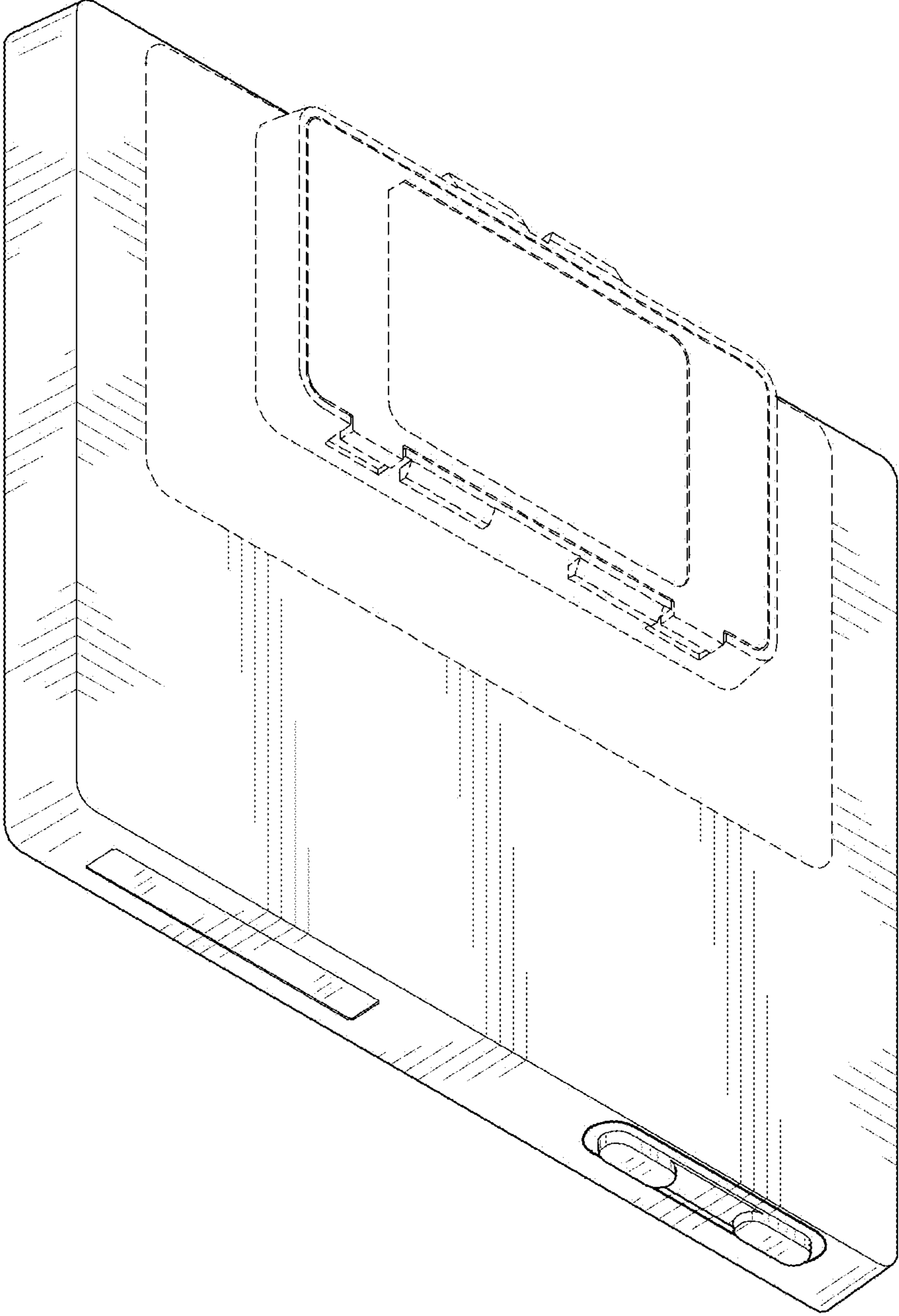


FIG. 2

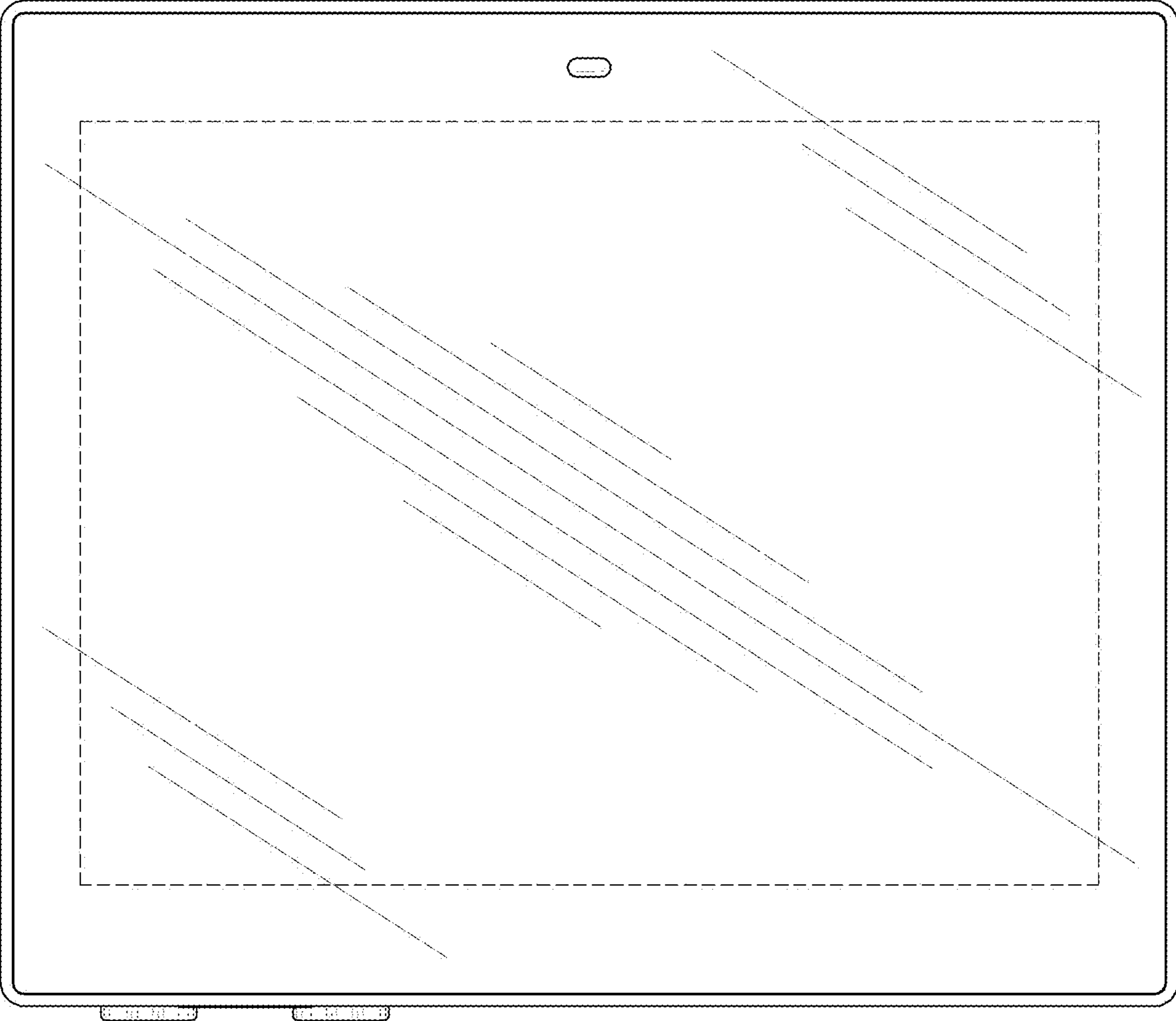


FIG. 3

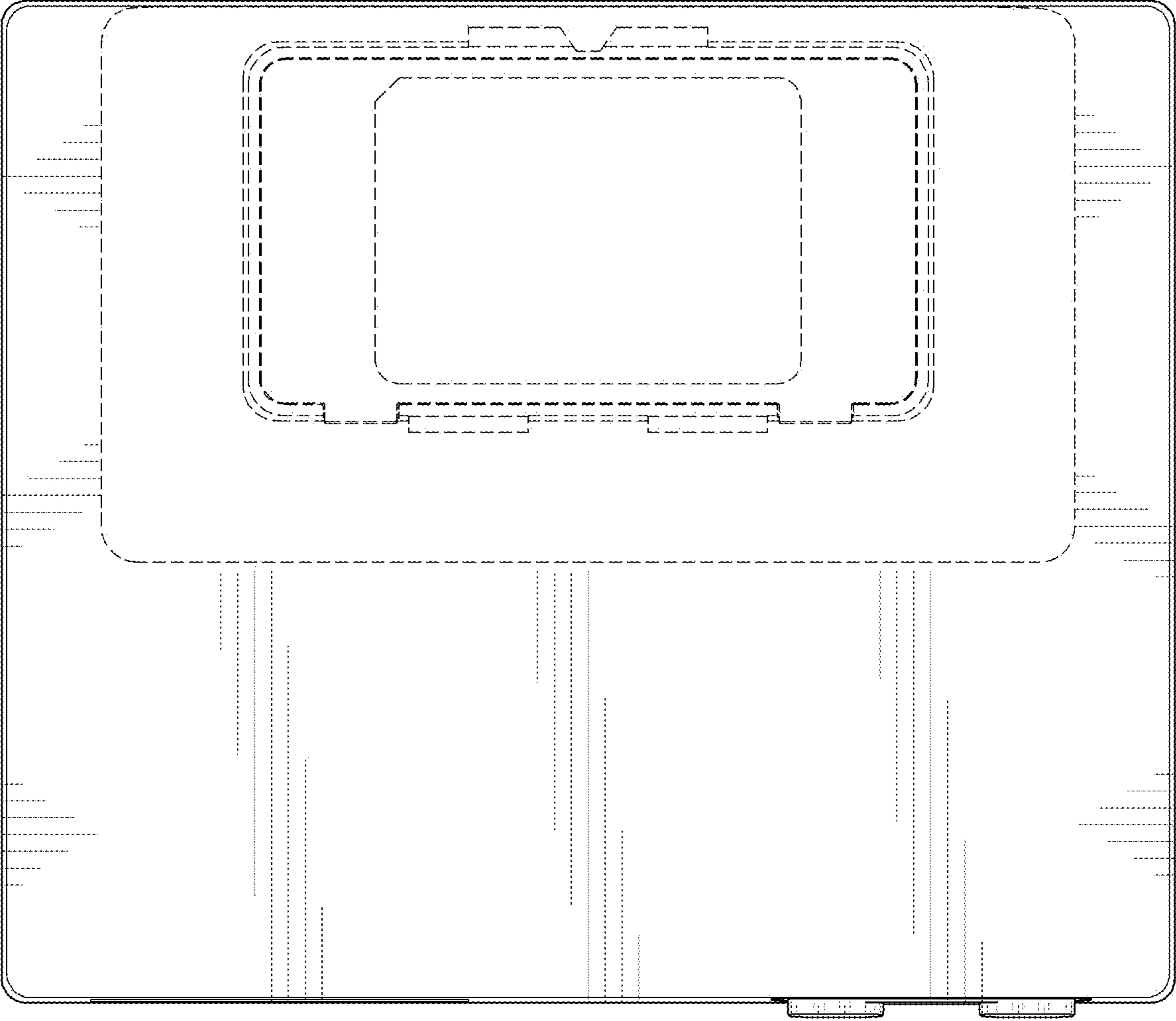


FIG. 4

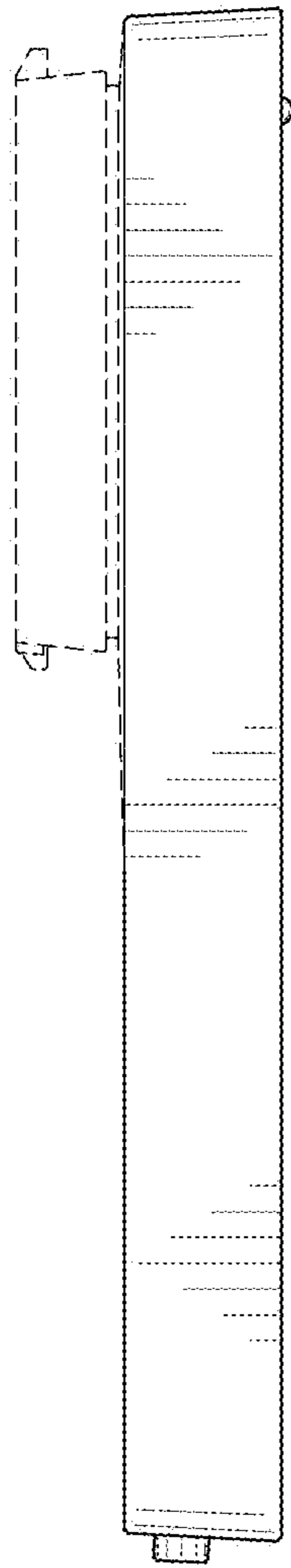


FIG. 5

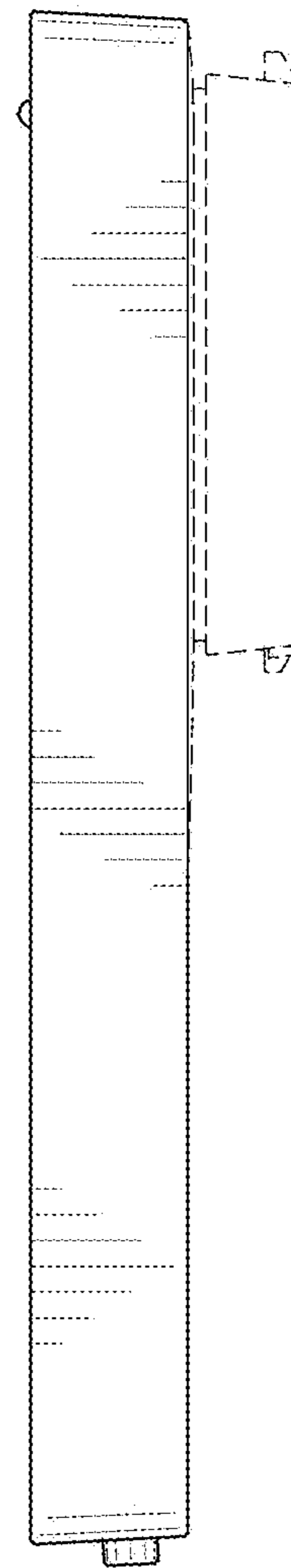


FIG. 6

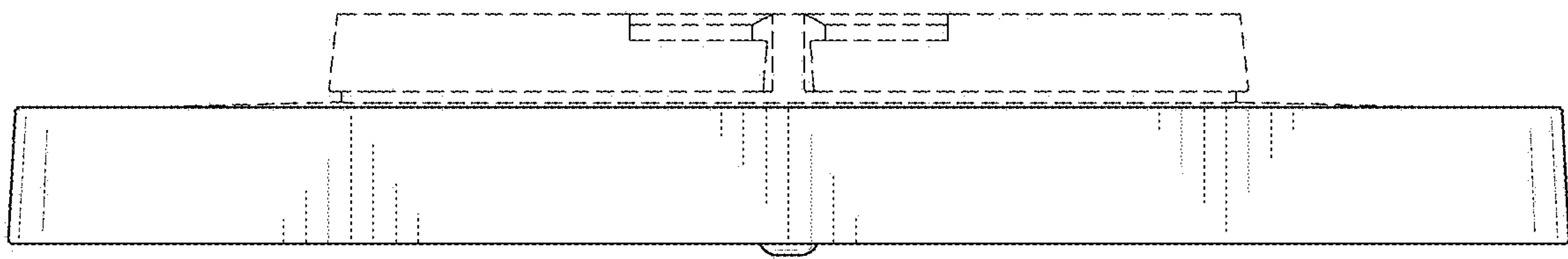


FIG. 7

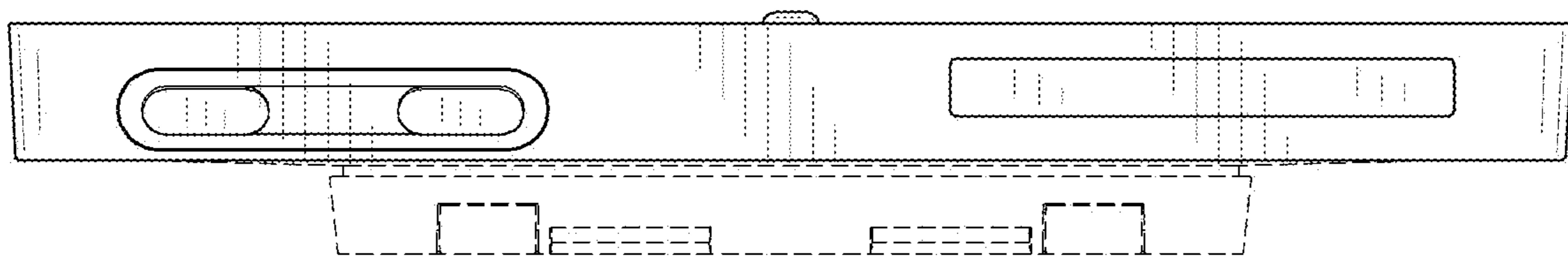


FIG. 8