



US00D972640S

(12) **United States Design Patent**
Cho et al.

(10) **Patent No.: US D972,640 S**

(45) **Date of Patent: ** *Dec. 13, 2022**

(54) **ELECTRONIC SHELF LABEL**

(71) Applicant: **SOLUM CO., LTD.**, Yongin-si (KR)

(72) Inventors: **Hyun Hun Cho**, Hwaseong-si (KR);
Yong Bum Lim, Yongin-si (KR); **Mi Deum Choi**, Suwon-si (KR); **Kang Ig Kim**, Hwaseong-si (KR)

(73) Assignee: **SOLUM CO., LTD.**, Yongin-si (KR)

(*) Notice: This patent is subject to a terminal disclaimer.

(**) Term: **15 Years**

(21) Appl. No.: **29/733,629**

(22) Filed: **May 5, 2020**

(30) **Foreign Application Priority Data**

Apr. 17, 2020 (KR) 30-2020-0017046

(51) **LOC (13) Cl.** **20-02**

(52) **U.S. Cl.**
USPC **D20/42; D20/27**

(58) **Field of Classification Search**
USPC D10/113.4; D14/125, 126, 371; D20/10,
D20/19, 22, 27, 39, 41, 42, 99
CPC G09F 7/00; G09F 7/02; G09F 7/16; G09F
9/00; G09F 9/3026; G09F 9/33; G09F
9/35; G09F 13/00; G09F 13/22; G09F
15/00; G09F 15/0056; G09F 15/0068;
G06F 3/14; H01R 13/514
See application file for complete search history.

(56) **References Cited**

U.S. PATENT DOCUMENTS

D582,916 S * 12/2008 Wada D14/371
D582,917 S * 12/2008 Wada D14/371
D695,410 S * 12/2013 Becker D24/186
D721,075 S * 1/2015 Toda D14/342
D755,147 S * 5/2016 Lin D14/138 G

D761,901 S * 7/2016 Kim D18/41
D781,800 S * 3/2017 Kluser D14/126
D786,238 S * 5/2017 Roberts D14/341
9,679,310 B1 * 6/2017 Saltzstein G06F 3/043
9,704,466 B2 * 7/2017 Uetabira H04R 1/345
D794,630 S * 8/2017 Pendse D14/341
D801,968 S * 11/2017 Johnson D14/371
10,083,390 B2 * 9/2018 Kim G06K 19/0775

(Continued)

FOREIGN PATENT DOCUMENTS

EM 002609727-0003 2/2015

OTHER PUBLICATIONS

E shelf labels, posted at e-shelf-labels.com, posted on Sep. 19, 2020, site visited Nov. 17, 2021. online, available from internet: <https://web.archive.org/web/20200919160747/https://www.e-shelf-labels.com/news/news-about-labels-and-signage/solum-as-new-solution-partner-of-e-shelf-labels.html> (Year: 2020).*

Primary Examiner — Catherine Ho

(74) *Attorney, Agent, or Firm* — Morgan, Lewis & Bockius LLP

(57) **CLAIM**

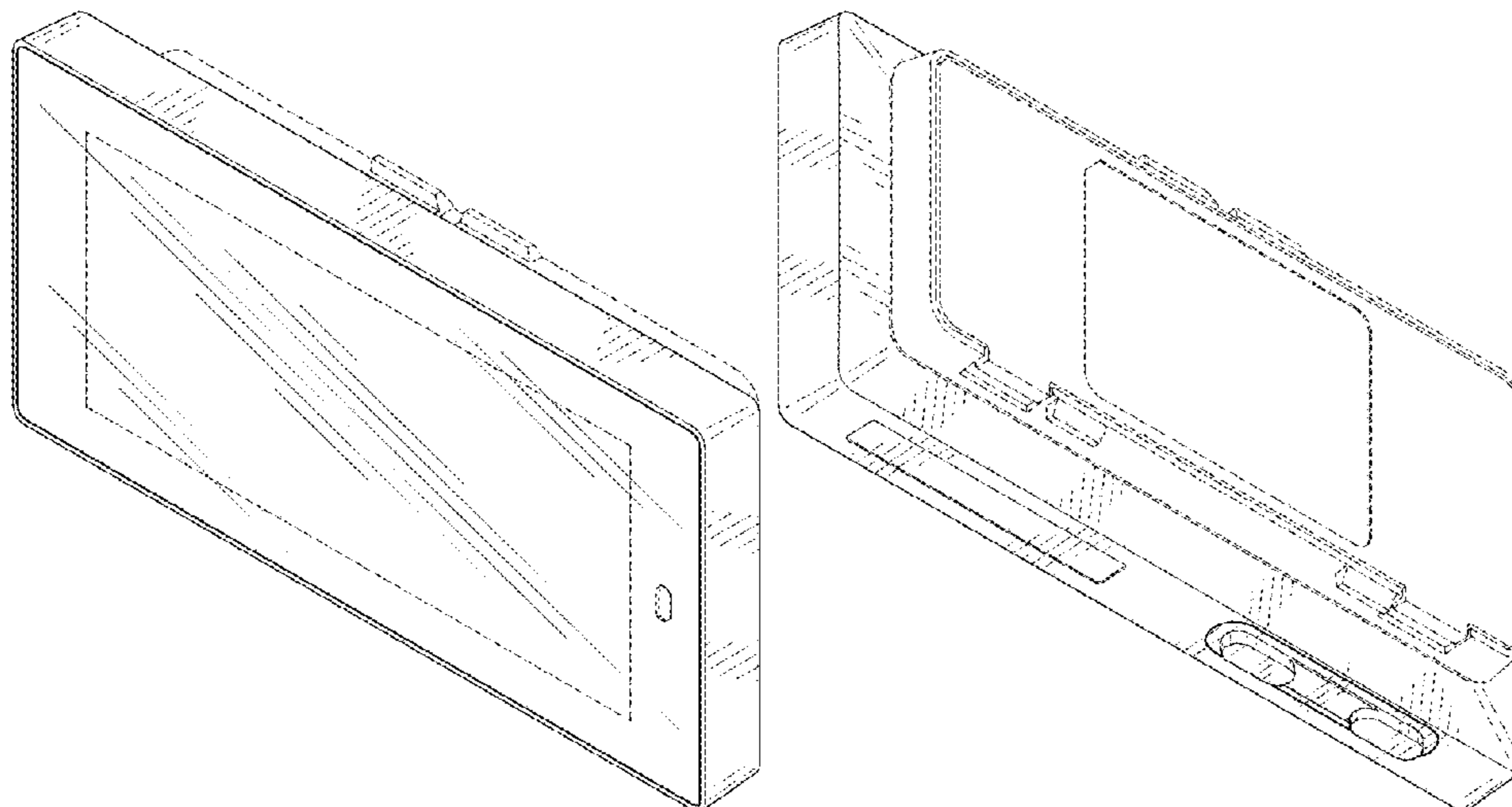
The ornamental design for an electronic shelf label, as shown and described.

DESCRIPTION

FIG. 1 is a front perspective view of an electronic shelf label showing the new design;
FIG. 2 is a rear perspective view thereof;
FIG. 3 is a front view thereof;
FIG. 4 is a rear view thereof;
FIG. 5 is a left side view thereof;
FIG. 6 is a right side view thereof;
FIG. 7 is a top view thereof; and,
FIG. 8 is a bottom view thereof.

The broken lines in the drawings illustrate unclaimed subject matter and form no part of the claimed design.

1 Claim, 4 Drawing Sheets



(56)

References Cited

U.S. PATENT DOCUMENTS

D836,580	S	*	12/2018	Ostensen	D14/126
D842,857	S	*	3/2019	Kimura	D14/371
D852,272	S	*	6/2019	Lim	D19/113
D854,429	S	*	7/2019	Gentle	D10/50
D862,909	S	*	10/2019	Zhou	D6/308
D871,358	S	*	12/2019	Kim	D14/126
D874,950	S	*	2/2020	Gentle	D10/50
D875,095	S	*	2/2020	Gan	D14/374
D876,431	S	*	2/2020	Pendse	D14/341
D878,376	S	*	3/2020	Claudepierre	D14/440
D882,528	S	*	4/2020	Fariello	D13/162
D882,966	S	*	5/2020	Jiang	D6/308
D882,967	S	*	5/2020	Jiang	D6/308
D893,201	S	*	8/2020	Jiang	D6/308
D900,807	S	*	11/2020	Nishizawa	D14/341
D901,499	S	*	11/2020	Clinton	D14/371
D902,926	S	*	11/2020	Andersson	D14/371
D908,122	S	*	1/2021	Luo	D14/336
D913,281	S	*	3/2021	Kang	D14/341
2011/0239509	A1	*	10/2011	Horikiri	G09F 7/08 40/661.08
2015/0301778	A1	*	10/2015	Lim	G06K 19/07758 361/679.21
2016/0260163	A1	*	9/2016	Sjodin	G06Q 30/0641

* cited by examiner

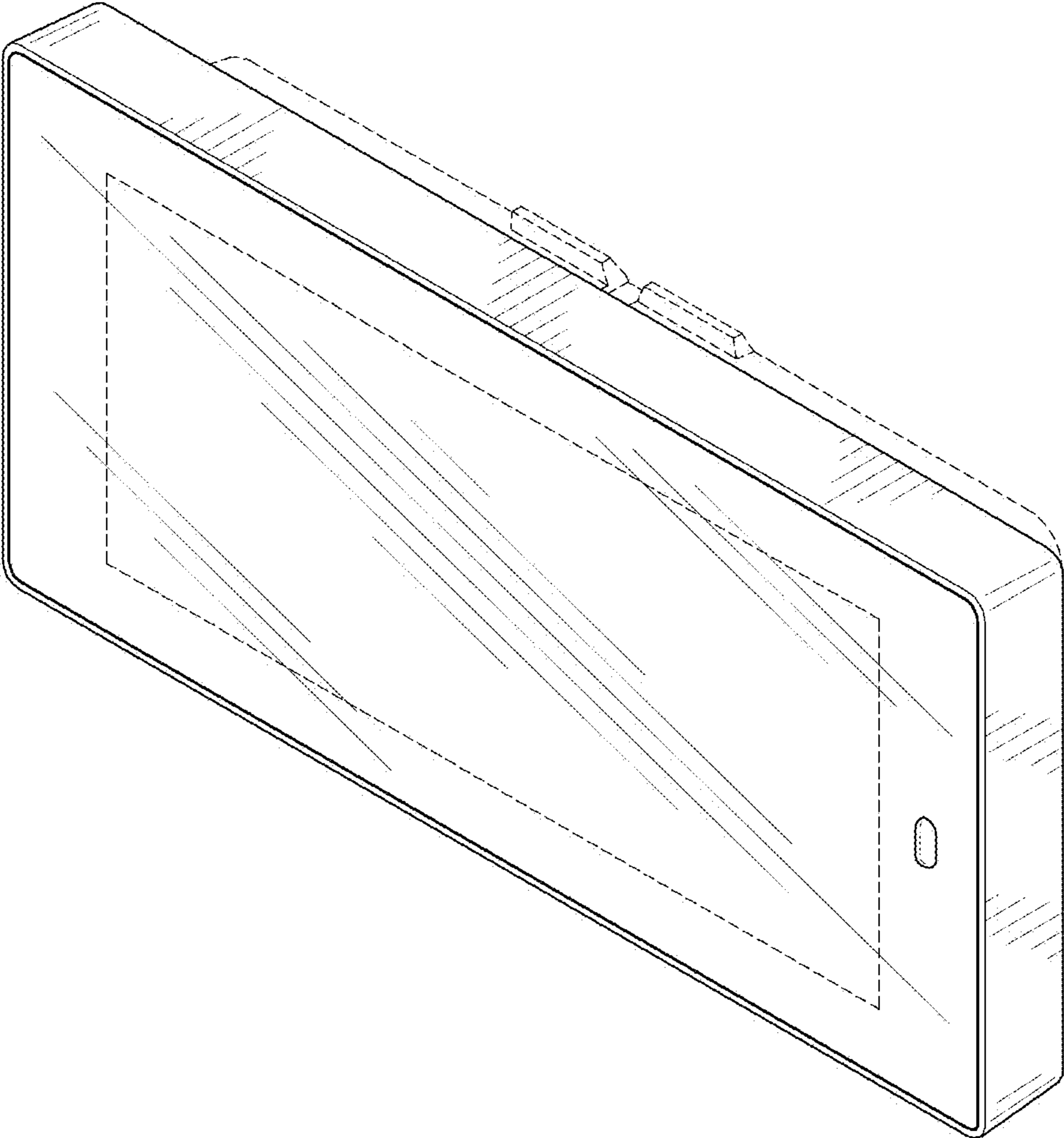


FIG. 1

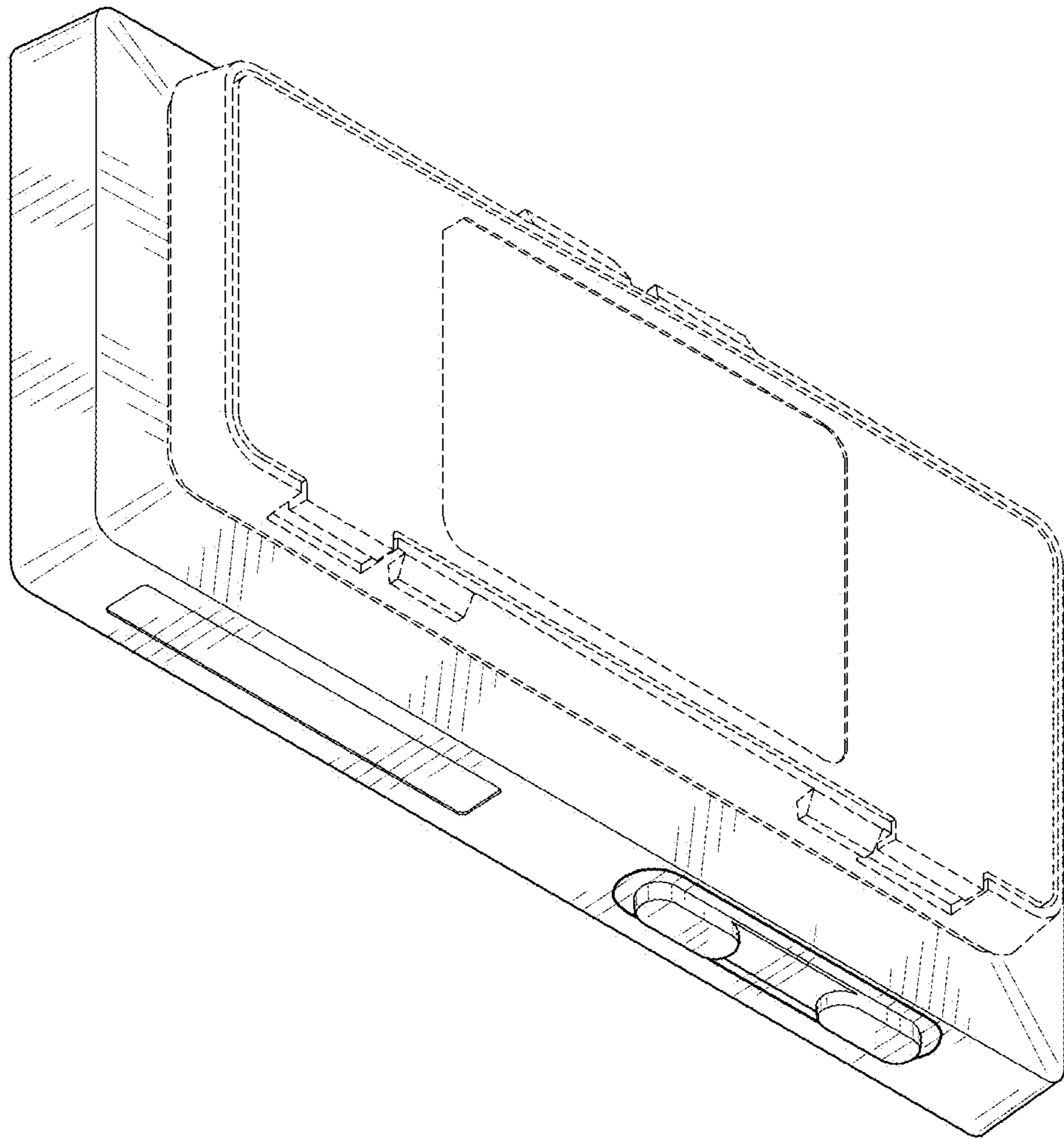


FIG. 2

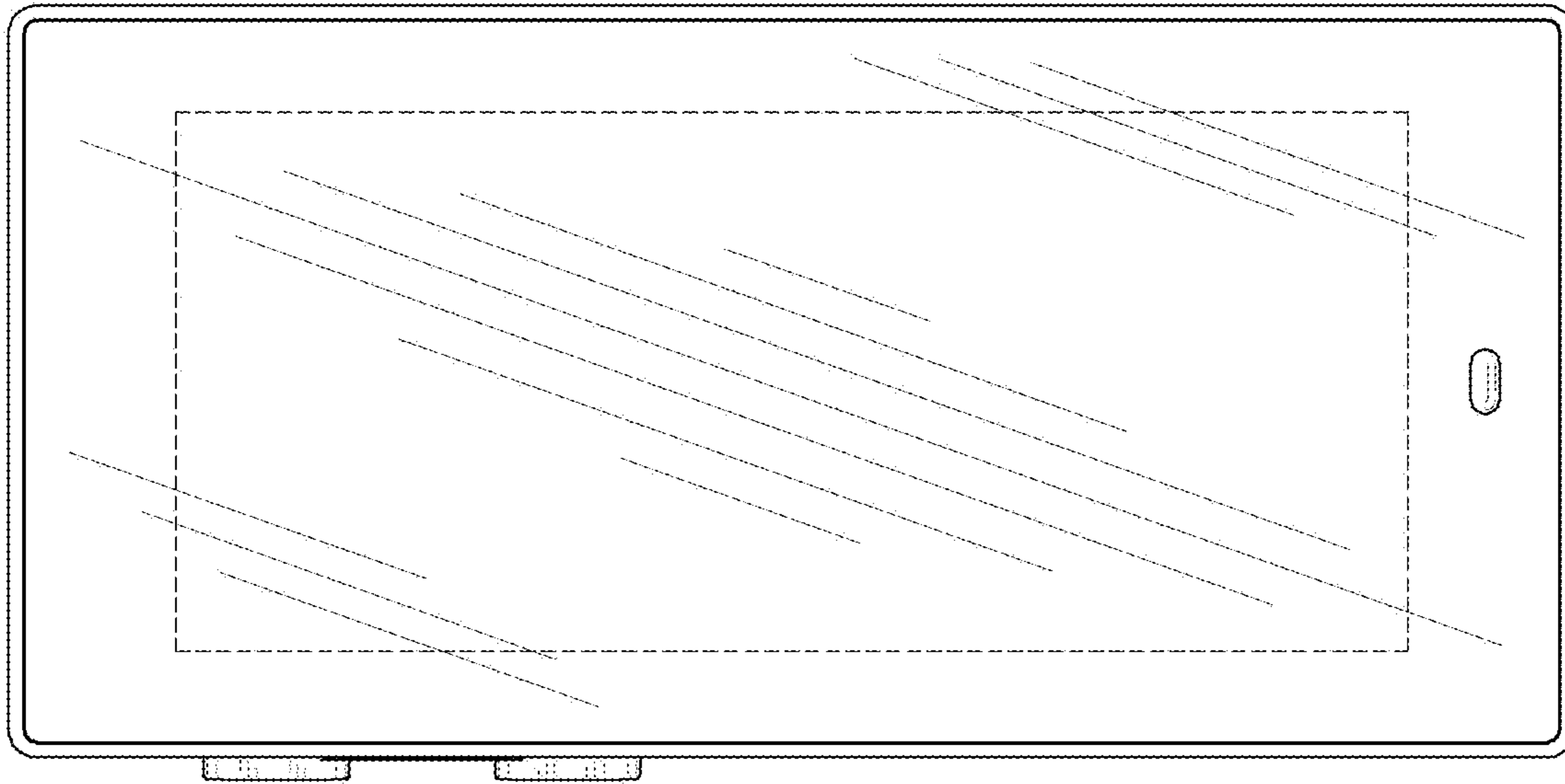


FIG. 3

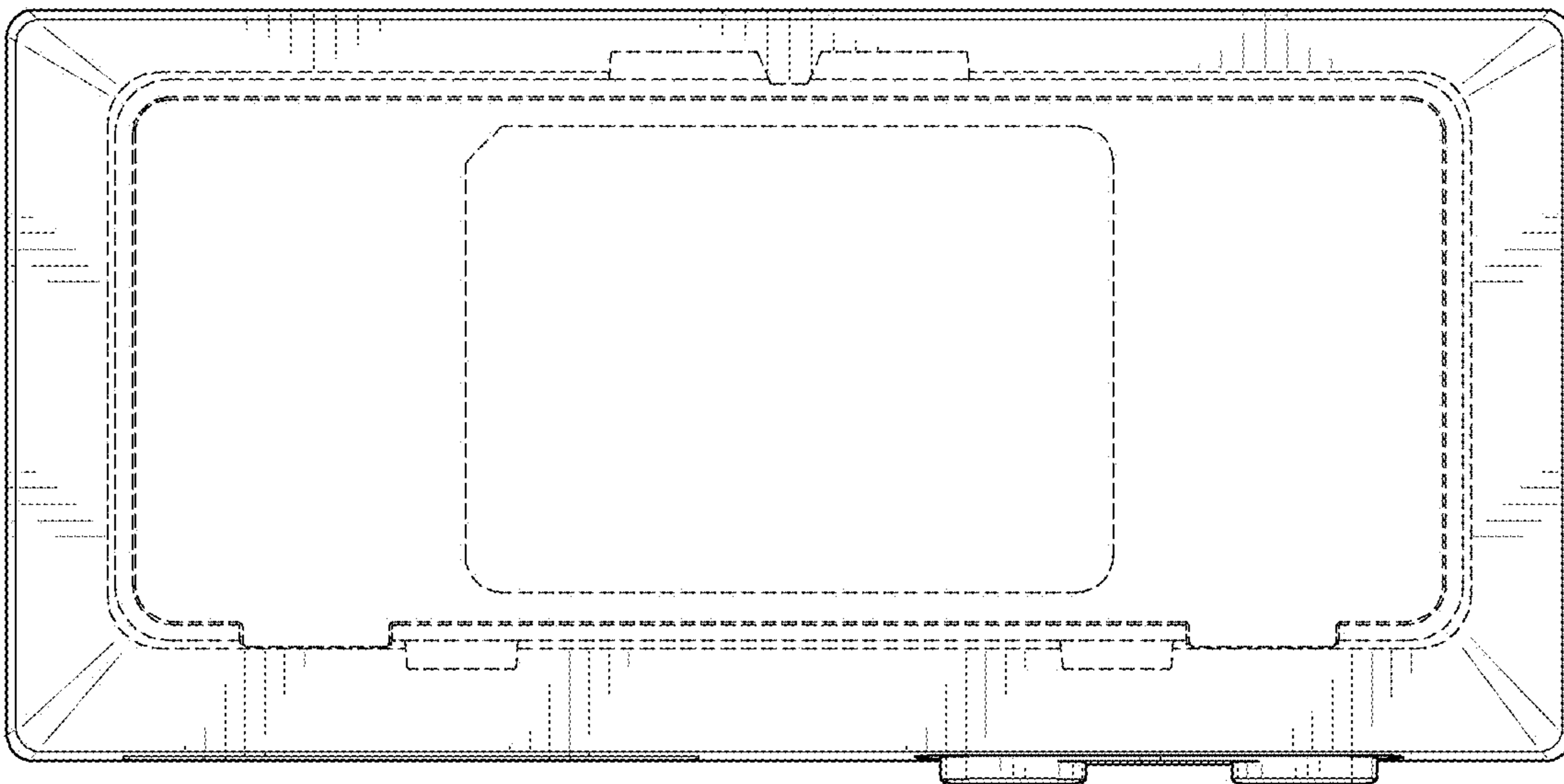


FIG. 4

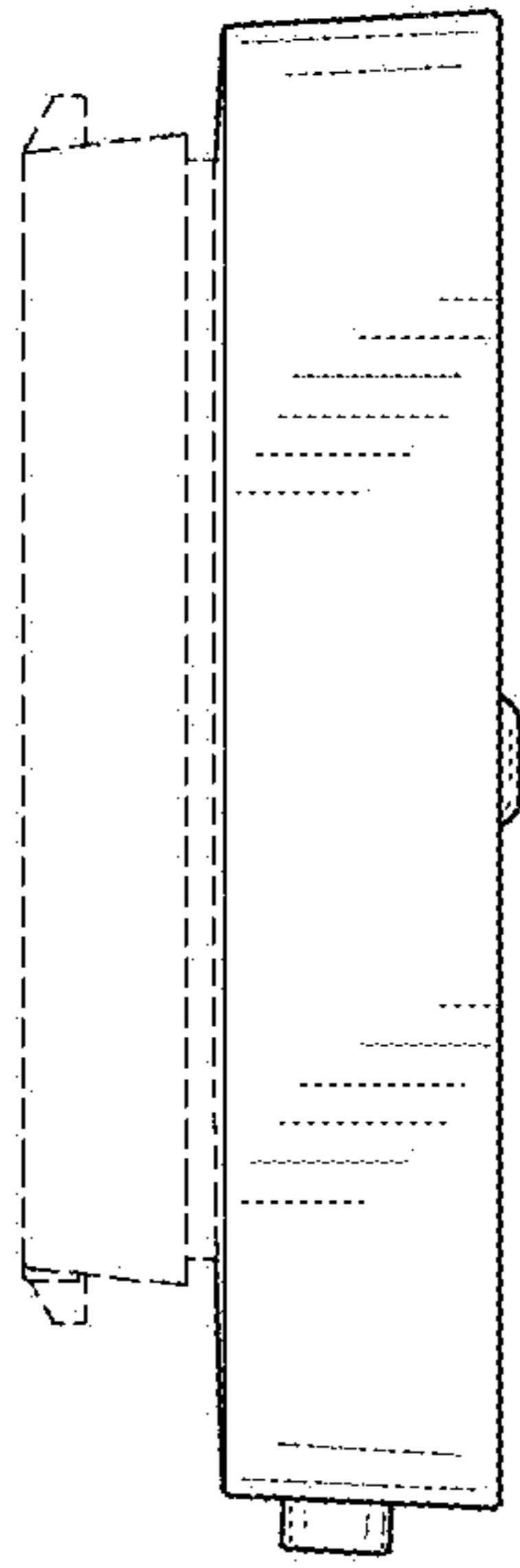


FIG. 5

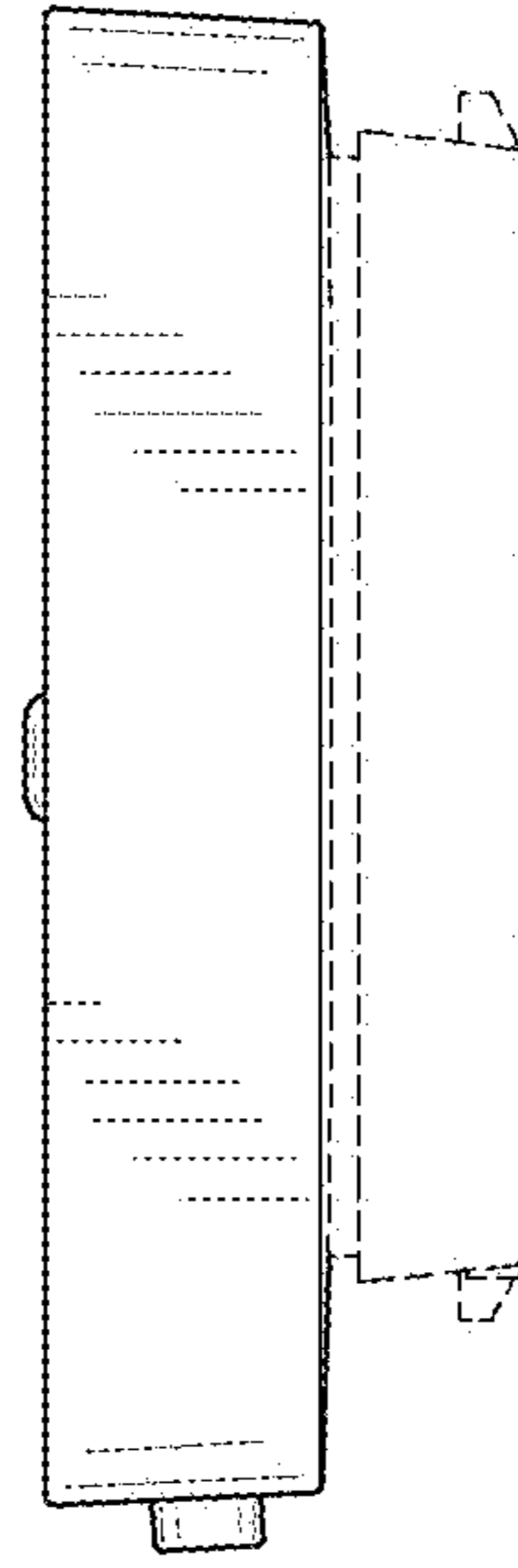


FIG. 6

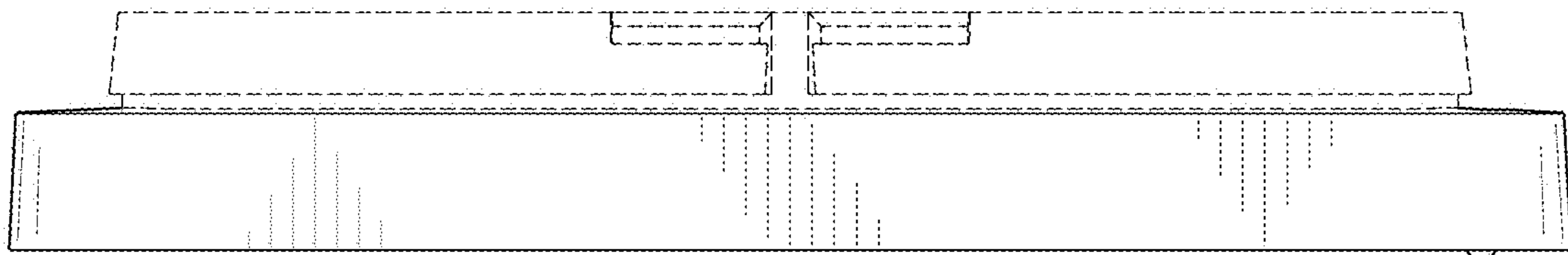


FIG. 7

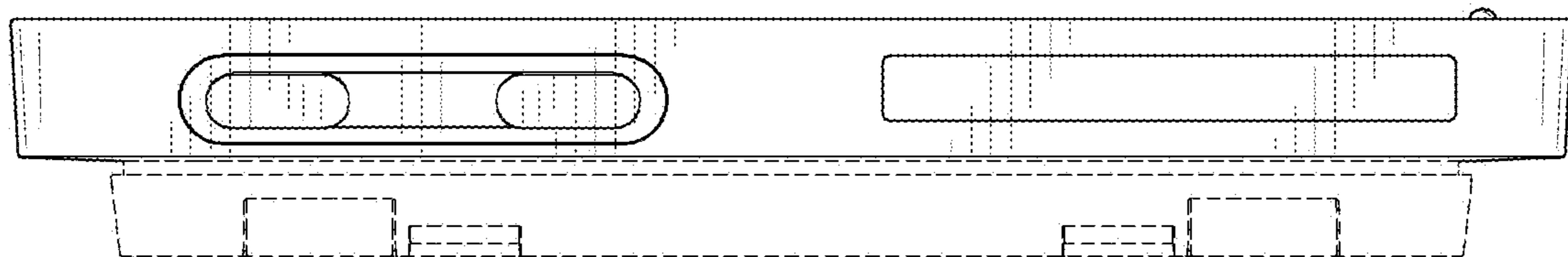


FIG. 8