



US00D972639S

(12) **United States Design Patent**  
**Greenberg et al.**

(10) **Patent No.:** **US D972,639 S**

(45) **Date of Patent:** **\*\* Dec. 13, 2022**

(54) **DISPLAY SIGN**  
(71) Applicant: **SpinTopSigns, LLC**, Oro Valley, AZ (US)  
(72) Inventors: **Erica Greenberg**, Phoenix, AZ (US); **Zachary Greenberg**, Phoenix, AZ (US)  
(73) Assignee: **Spintopsigns, LLC**, Oro Valley, AZ (US)

(\*\*) Term: **15 Years**

(21) Appl. No.: **29/784,375**

(22) Filed: **May 19, 2021**

**Related U.S. Application Data**

(62) Division of application No. 29/705,689, filed on Sep. 13, 2019, now Pat. No. Des. 921,758.

(51) **LOC (13) Cl.** ..... **20-02**

(52) **U.S. Cl.**  
USPC ..... **D20/41**

(58) **Field of Classification Search**

USPC ..... D10/109.1, 109.2, 113.4; D11/181, 182, D11/183; D14/125, 126, 127, 128, 129, D14/489, 495; D18/26; D20/10, 11, 12, D20/16, 17, 18, 19, 21, 31, 27, 29, 30, D20/39, 40, 41, 42, 43, 44, 99; D6/658, D6/672, 674; D21/385, 386, 389, 390; D26/93, 104, 137  
CPC ..... G09F 1/00; G09F 1/08; G09F 5/00; G09F 5/02; G09F 7/00; G09F 19/00; G09F 23/00; G09F 27/00; G09F 21/00; G09F 21/06; G09F 21/08; G09F 13/00; Y10S 362/812; A47F 3/00; A47F 8/00; A47F 11/00

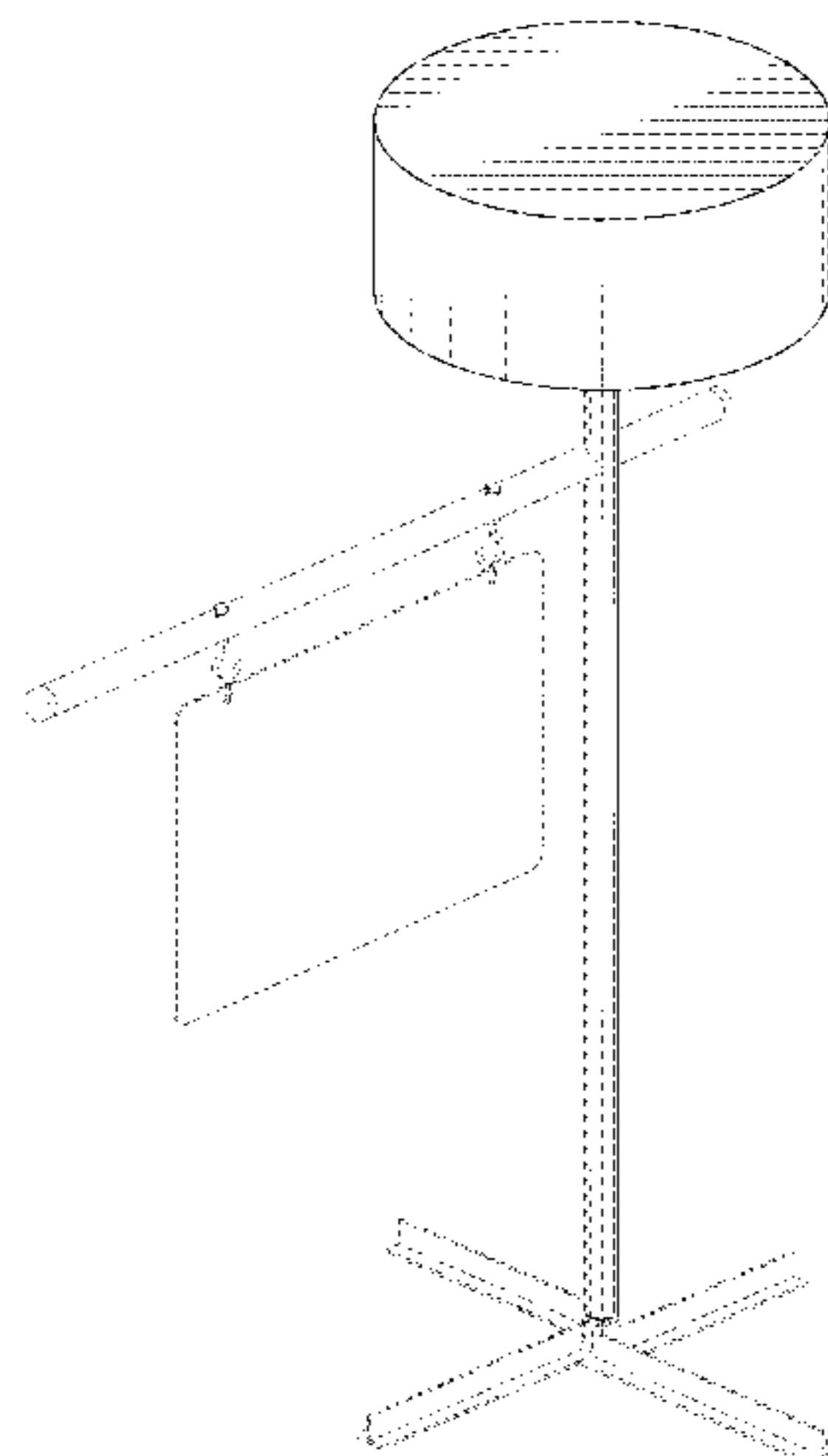
See application file for complete search history.

(56) **References Cited**

**U.S. PATENT DOCUMENTS**

535,535 A \* 3/1895 Gardner ..... A63F 9/20 D21/386  
714,930 A \* 12/1902 Mease ..... A63F 3/00697 273/290

1,016,303 A \* 2/1912 Thordarson ..... G01R 5/14 324/147  
1,352,597 A \* 9/1920 Harrison ..... H04R 11/06 381/414  
1,555,219 A \* 9/1925 Kimball ..... G09F 1/08 40/539  
1,794,721 A \* 3/1931 McCash ..... G09F 13/00 335/90  
1,804,770 A \* 5/1931 Hershfield ..... G09F 7/00 40/607.1  
2,028,506 A \* 1/1936 Enoch ..... G09F 1/00 229/5.5  
D114,456 S \* 4/1939 McCabe ..... D20/21  
2,482,886 A \* 8/1946 Van Gieson  
2,637,805 A \* 5/1953 Jacobs ..... F21V 1/06 362/358  
2,689,050 A \* 9/1954 Albin ..... A47F 5/06 40/607.13  
2,830,395 A \* 4/1958 Hutchens  
2,917,695 A \* 12/1959 Stiner ..... B01F 33/841 318/467  
D191,593 S \* 10/1961 Fredericks ..... D26/26  
3,037,311 A \* 6/1962 Ross ..... G09F 7/18 248/230.9  
3,092,389 A \* 6/1963 Smith ..... A63B 67/14 473/588  
3,105,315 A \* 10/1963 Snethen ..... G09F 13/04 40/490  
3,116,027 A \* 12/1963 Kleppin ..... F21V 17/00 362/410  
D202,326 S \* 9/1965 Doss ..... D20/41  
3,273,845 A \* 9/1966 Jepsen ..... G09F 1/10 248/300  
3,313,056 A \* 4/1967 Williams ..... G09F 13/04 D20/41  
3,314,177 A \* 4/1967 Mies, Jr. .... B42F 17/08 211/115  
3,340,633 A \* 9/1967 Iraj ..... G09F 11/02 40/473  
3,558,941 A \* 1/1971 Visconti Brebbia ... H02K 37/10 310/49.15  
D223,440 S \* 4/1972 Noyes ..... D26/68  
3,654,716 A \* 4/1972 Moss ..... G09F 11/02 211/163  
D226,778 S \* 4/1973 Breed ..... D26/67  
D230,071 S \* 1/1974 Anderson, Jr. .... D26/67  
3,856,932 A \* 12/1974 May ..... C02F 1/76 424/661  
3,885,718 A \* 5/1975 Clemence ..... A45D 44/14 223/66  
D235,472 S \* 6/1975 Geisler ..... D26/68





# US D972,639 S

D236,909 S *	9/1975	Richilano	D26/68	D505,508 S *	5/2005	Chen	D26/67
3,928,930 A *	12/1975	Attwood	G09F 7/18 40/606.12	D515,138 S *	2/2006	Harrison	D20/41
D240,169 S *	6/1976	Summey	D20/41	D537,596 S *	2/2007	Marshall	D34/1
3,964,190 A *	6/1976	Leo	F16C 39/063 40/412	D567,984 S *	4/2008	Chen	D26/67
4,075,684 A *	2/1978	Witz	F21V 1/06 362/352	D575,348 S *	8/2008	Tanaka	D20/10
D249,819 S *	10/1978	Asaki	D26/67	D575,827 S *	8/2008	Tanaka	D20/10
4,225,909 A *	9/1980	Scholz	F21V 21/116 362/431	D582,985 S *	12/2008	Tanaka	D20/10
D257,900 S *	1/1981	Scholze	D26/105	D582,986 S *	12/2008	Sanchez	D14/159
D257,902 S *	1/1981	Scholze	D26/105	D585,328 S *	1/2009	Flanagan	D11/166
D257,903 S *	1/1981	Scholze	D26/105	7,517,846 B2 *	4/2009	Gladfelter	C11D 17/044 510/438
4,268,896 A *	5/1981	Mann	F21V 1/26 362/361	D592,421 S *	5/2009	Roche	D6/663
D263,102 S *	2/1982	George	D20/19	D603,552 S *	11/2009	Kampe	D26/88
4,441,282 A *	4/1984	Thual	E04B 9/34 52/39	D605,333 S *	12/2009	Miranda	D26/88
4,454,671 A *	6/1984	Morgenstern	G09F 15/0037 40/606.12	D614,704 S *	4/2010	Ulrich	D20/42
D276,824 S *	12/1984	Wilde	D20/41	7,748,863 B1	7/2010	Holman et al.	
4,688,684 A *	8/1987	Young	A47F 7/281 D6/677.1	D621,990 S *	8/2010	Espiau	D26/105
D294,066 S *	2/1988	Ewing	D26/71	D632,003 S *	2/2011	Jordan	D26/88
D301,175 S *	5/1989	Benjamin	D26/67	D642,321 S *	7/2011	Eusterbrock	D26/106
D322,584 S *	12/1991	Kawashima	D26/68	D642,633 S *	8/2011	Walterscheid	D21/444
5,101,329 A *	3/1992	Doyle		D658,316 S *	4/2012	van Dijk	D26/23
5,137,731 A *	8/1992	Casberg	C02F 1/688 424/76.8	D663,470 S *	7/2012	Ruiz	D26/88
D335,704 S *	5/1993	Casberg	D23/207	D664,839 S *	8/2012	Bonhag	D8/396
5,230,176 A *	7/1993	Schomaker		8,291,628 B2 *	10/2012	Acworth	F21S 6/004 40/554
D345,571 S *	3/1994	Hanlon, III	D16/221	D676,999 S *	2/2013	Morgan	D26/128
5,297,353 A *	3/1994	Ghalayini	G09F 11/025 40/219	8,720,091 B1 *	5/2014	Snyder	G09F 15/02 40/607.01
5,312,624 A *	5/1994	Richter	C09D 5/34 4/231	8,810,191 B2	8/2014	Maldonado	
5,318,262 A *	6/1994	Adams	F16B 47/00 248/205.8	D714,875 S *	10/2014	Wudtke	D21/385
5,363,607 A *	11/1994	Turturro	E04H 12/32 52/114	8,915,391 B2 *	12/2014	Radow	A47G 19/00 211/144
5,416,997 A *	5/1995	Dyment	G09F 1/065 40/473	8,931,192 B2 *	1/2015	Acworth	F21V 1/02 40/554
D360,230 S *	7/1995	Lechleiter	D6/332	D738,561 S *	9/2015	Ellis	D26/110
D373,145 S *	8/1996	Pettus	D20/19	D741,536 S *	10/2015	Ellis	D26/110
5,572,816 A *	11/1996	Anderson, Jr	G09F 11/02 40/503	9,269,282 B1	2/2016	Hartman	
D380,011 S *	6/1997	Pettus	D20/10	D760,320 S *	6/2016	Sitton	D20/41
D385,587 S *	10/1997	Windom	D21/389	9,443,454 B1	9/2016	Treece	
D389,524 S *	1/1998	Grange	D20/41	D769,985 S *	10/2016	Roberts	D21/453
5,816,880 A *	10/1998	Forti	A63H 33/18 446/61	D774,597 S *	12/2016	Lowery	D21/336
5,975,317 A *	11/1999	Roebing	A47G 33/06 40/124.4	9,538,831 B1 *	1/2017	Tracy	D06F 57/04
D417,894 S *	12/1999	Herbst	D10/42	D779,706 S *	2/2017	Starck	D26/110
D424,734 S *	5/2000	Gager	D20/41	D780,982 S *	3/2017	Starck	D26/110
6,148,552 A *	11/2000	Dumontier et al.		D790,108 S *	6/2017	Starck	D26/110
6,164,796 A *	12/2000	La Chiusa	F21S 9/02 362/186	D790,109 S *	6/2017	Starck	D26/110
6,170,692 B1 *	1/2001	Johnston	B65F 1/141 220/908	D790,748 S *	6/2017	Starck	D26/110
6,263,601 B1	7/2001	Emert		9,696,009 B2 *	7/2017	La	G02B 5/22
6,269,570 B1 *	8/2001	Miles	G09F 15/0037 40/607.03	D793,129 S *	8/2017	Bertault	D6/677.1
D448,812 S *	10/2001	Vong	D21/386	D805,677 S *	12/2017	Starck	D26/110
6,316,073 B1 *	11/2001	Hiscock	G09F 3/10 428/68	D807,847 S *	1/2018	Ahn	D14/126
D453,883 S *	2/2002	Conde	D6/677.1	D808,063 S *	1/2018	Starck	D26/110
6,345,458 B1	2/2002	Garibian		D821,622 S *	6/2018	Badarello	D26/125
D465,174 S *	11/2002	Ursprung	D11/165	D831,125 S *	10/2018	Khachaturian	D21/445
D468,472 S *	1/2003	Mullally	D26/67	10,235,910 B1 *	3/2019	Graham	G09F 15/0012
6,599,162 B2 *	7/2003	Huset	A63H 33/18 473/588	D846,651 S *	4/2019	Colvin	D21/385
D480,114 S *	9/2003	Grosz	D20/41	D857,280 S *	8/2019	Starck	D26/93
D482,731 S *	11/2003	Herbst	D20/41	D857,972 S *	8/2019	Starck	D26/93
D495,087 S *	8/2004	Brown	D26/118	D868,343 S *	11/2019	Anastassiades	D26/93
6,802,143 B1	10/2004	Rachowitz et al.		D869,055 S *	12/2019	Anastassiades	D26/93
				D872,347 S *	1/2020	Probyn	D26/93
				D877,811 S *	3/2020	Bernard	D21/369
				D878,664 S *	3/2020	De Majo	D26/93
				D881,442 S *	4/2020	Jiang	D26/110
				D882,699 S *	4/2020	Bernard	D21/385
				D883,393 S *	5/2020	Bernard	D21/385
				D888,321 S *	6/2020	Smrstick	D26/93
				D896,430 S *	9/2020	Kim	D26/93
				10,813,475 B2 *	10/2020	Stephens	A47F 5/0892
				D905,897 S *	12/2020	Anastassiades	D26/93
				D913,376 S *	3/2021	Bernard	D21/369
				D914,270 S *	3/2021	Anastassiades	D26/93
				D914,807 S *	3/2021	Olive	D21/369
				D916,969 S *	4/2021	Fleming, Jr.	D20/41
				D921,758 S *	6/2021	Greenberg	D20/41
				D927,903 S *	8/2021	Park	D6/677.1
				D939,275 S *	12/2021	Greenwood	D7/501
				D942,713 S *	2/2022	Xiao	D30/160

2004/0148831 A1\* 8/2004 Johnston ..... G09F 15/0037  
 40/607.03  
 2005/0174478 A1\* 8/2005 Chen ..... G09F 19/00  
 348/375  
 2005/0231983 A1\* 10/2005 Dahm ..... F21V 29/51  
 433/29  
 2006/0130382 A1 6/2006 Howell et al.  
 2006/0260160 A1 11/2006 Herman  
 2006/0274521 A1 12/2006 Ullrich  
 2007/0006794 A1\* 1/2007 Swenson ..... G09F 17/00  
 116/173  
 2007/0011925 A1\* 1/2007 Edwards ..... G09F 15/0018  
 40/604  
 2007/0033847 A1\* 2/2007 Tanaka ..... G06F 1/163  
 40/661.05  
 2009/0178316 A1 7/2009 Parenti et al.  
 2018/0240380 A1\* 8/2018 Horgash ..... G09F 15/0037  
 2021/0120977 A1\* 4/2021 Durand ..... A47F 5/0025

Spin top signs, posted at facebook.com, posted on Jan. 30, 2020, site visited Sep. 20, 2021. online, available from internet: <https://www.facebook.com/spintopsigns/photos/a.328563157929582/607040500081845/?type=3&theater> (Year: 2020).\*

\* cited by examiner

*Primary Examiner* — Catherine Ho  
 (74) *Attorney, Agent, or Firm* — Adam R. Stephenson, Ltd.

(57) **CLAIM**

The ornamental design for a display sign, as shown and described.

**DESCRIPTION**

**FOREIGN PATENT DOCUMENTS**

CN 203118378 U 8/2013  
 CN 104332117 A 2/2015  
 WO 2016159912 A1 10/2016

**OTHER PUBLICATIONS**

Contemporary, posted at homedepot.com, posted on Feb. 5, 2019, site visited Sep. 20, 2021. online, available from internet: <https://www.homedepot.com/p/Allied-Brass-Contemporary-Counter-Top-Kitchen-Paper-Towel-Holder-in-Satin-Nickel-1051-SN/302540433> (Year: 2019).\*

FIG. 1 is a front perspective view of a display sign, showing our new design;

FIG. 2 is a front view thereof;

FIG. 3 is a back view thereof;

FIG. 4 is a left view thereof;

FIG. 5 is a right view thereof;

FIG. 6 is top view thereof; and,

FIG. 7 is a bottom view thereof.

All broken lines represent unclaimed features of the article to which the design is applied.

**1 Claim, 6 Drawing Sheets**



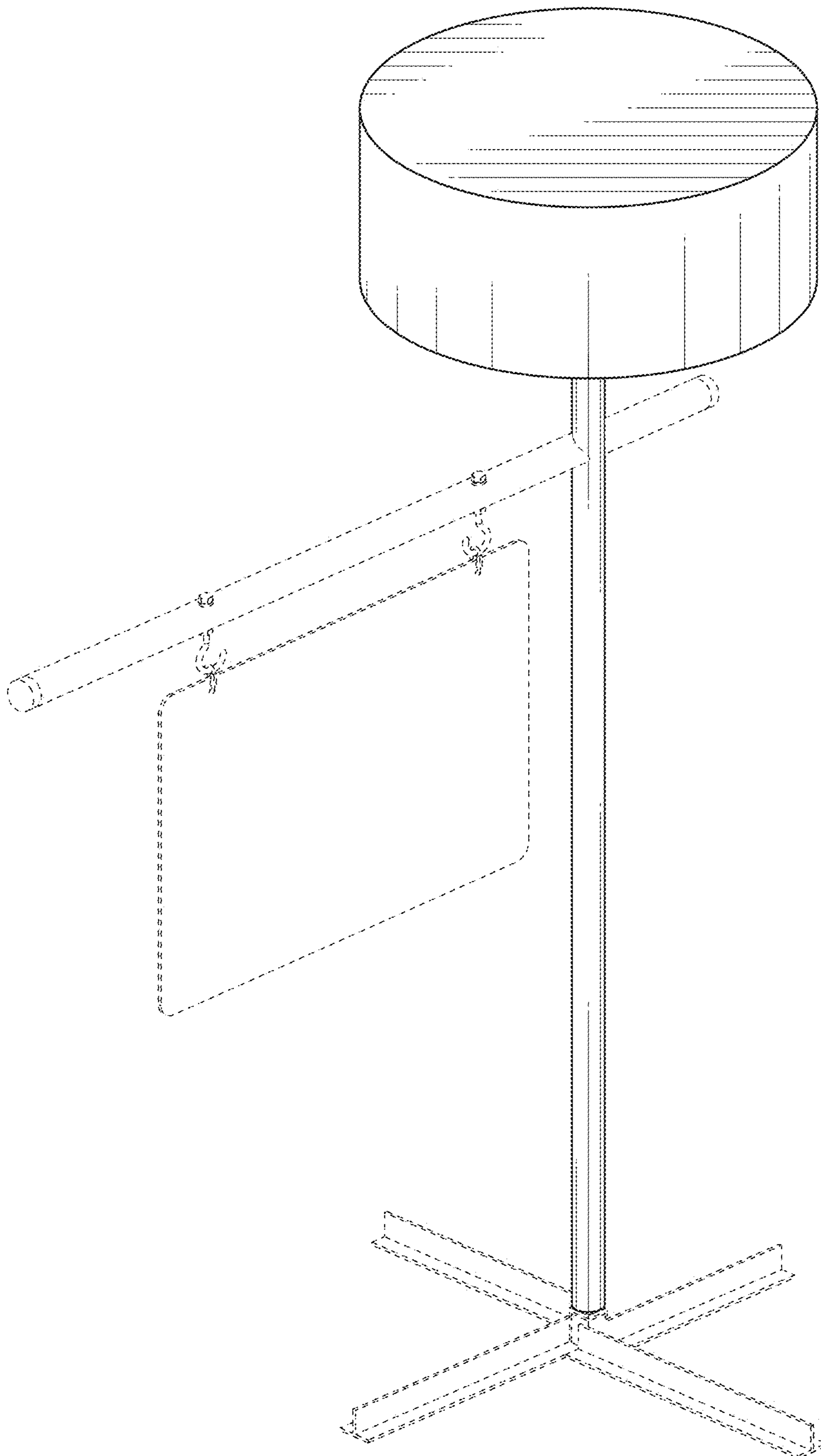


FIG. 1

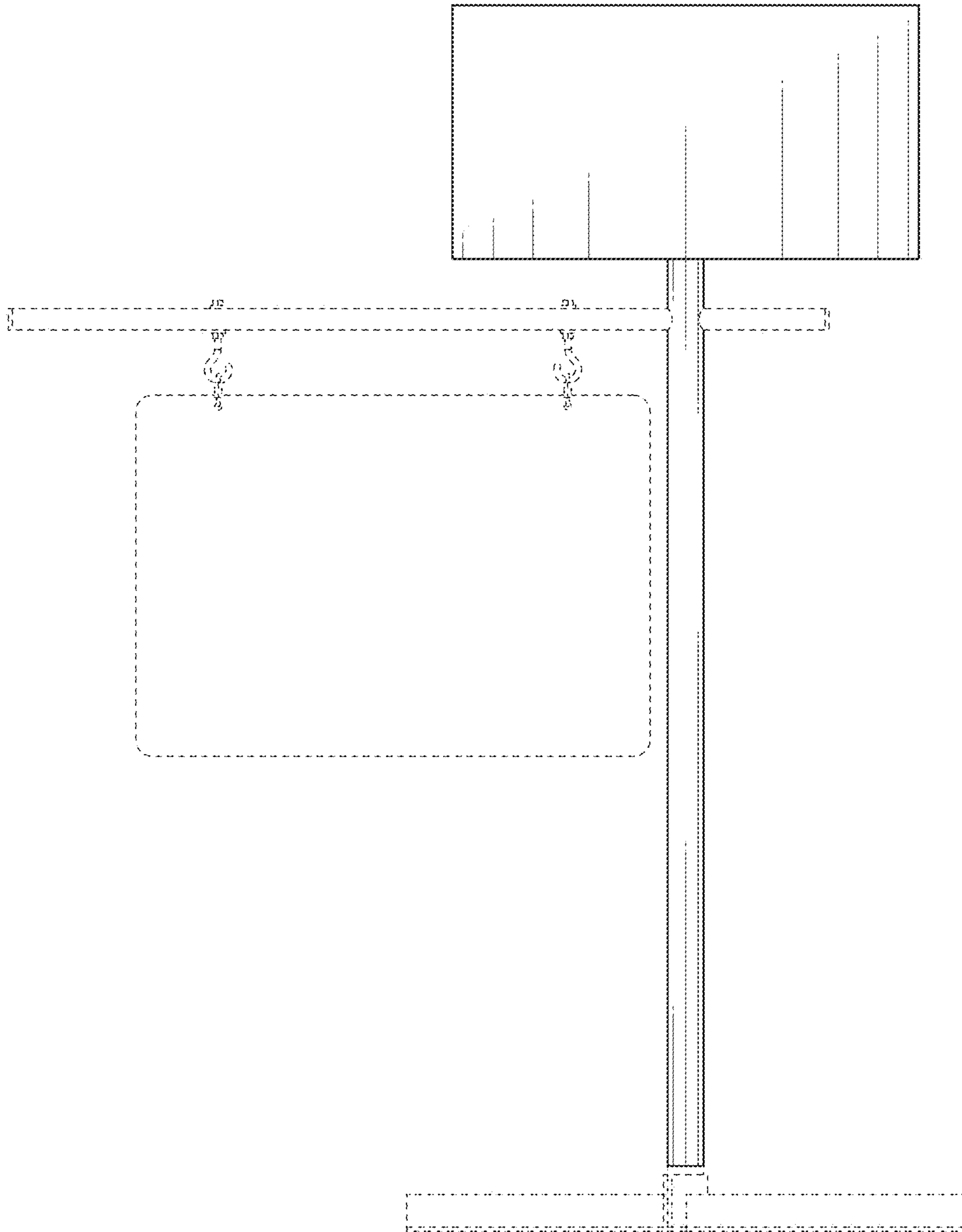


FIG. 2

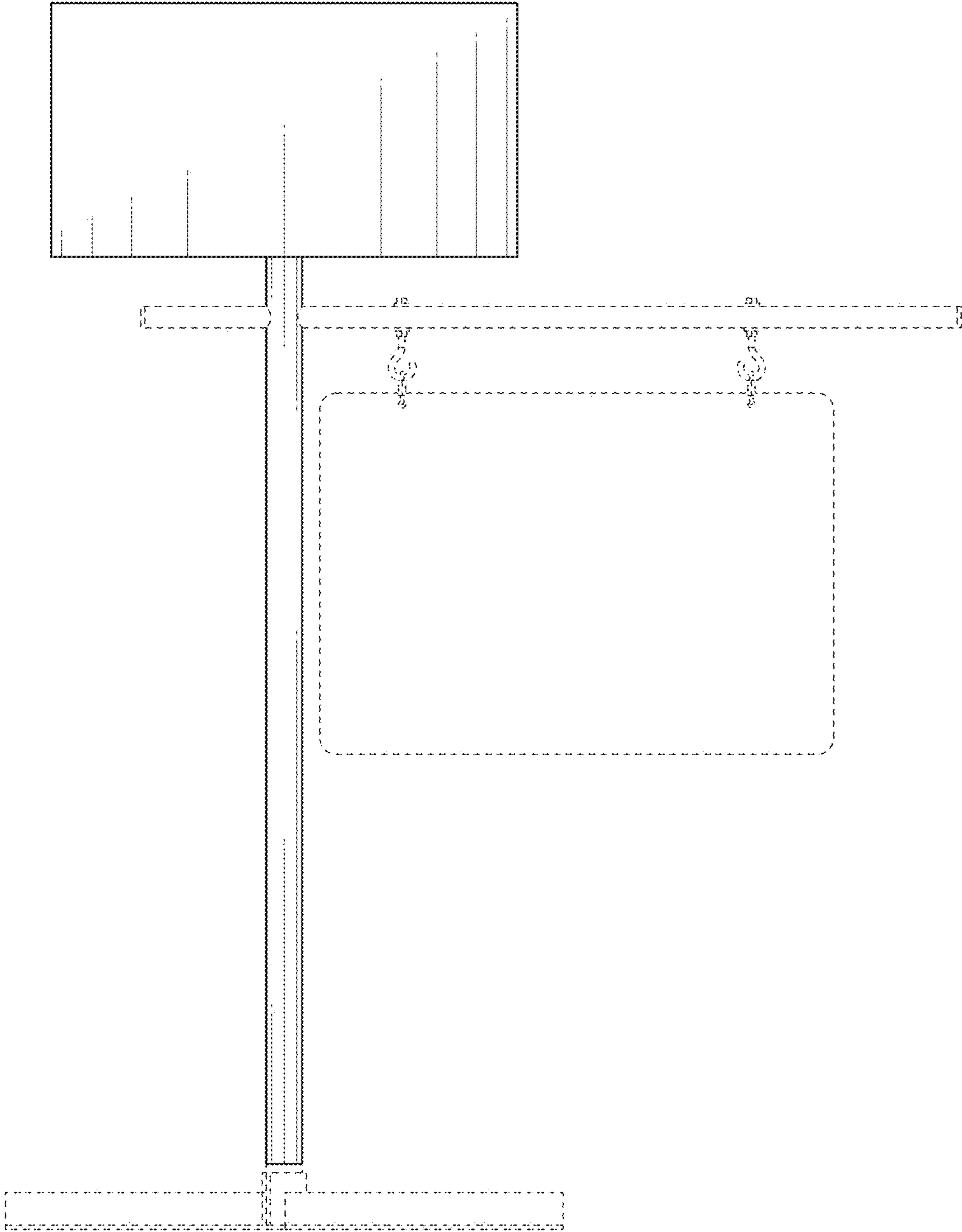


FIG. 3

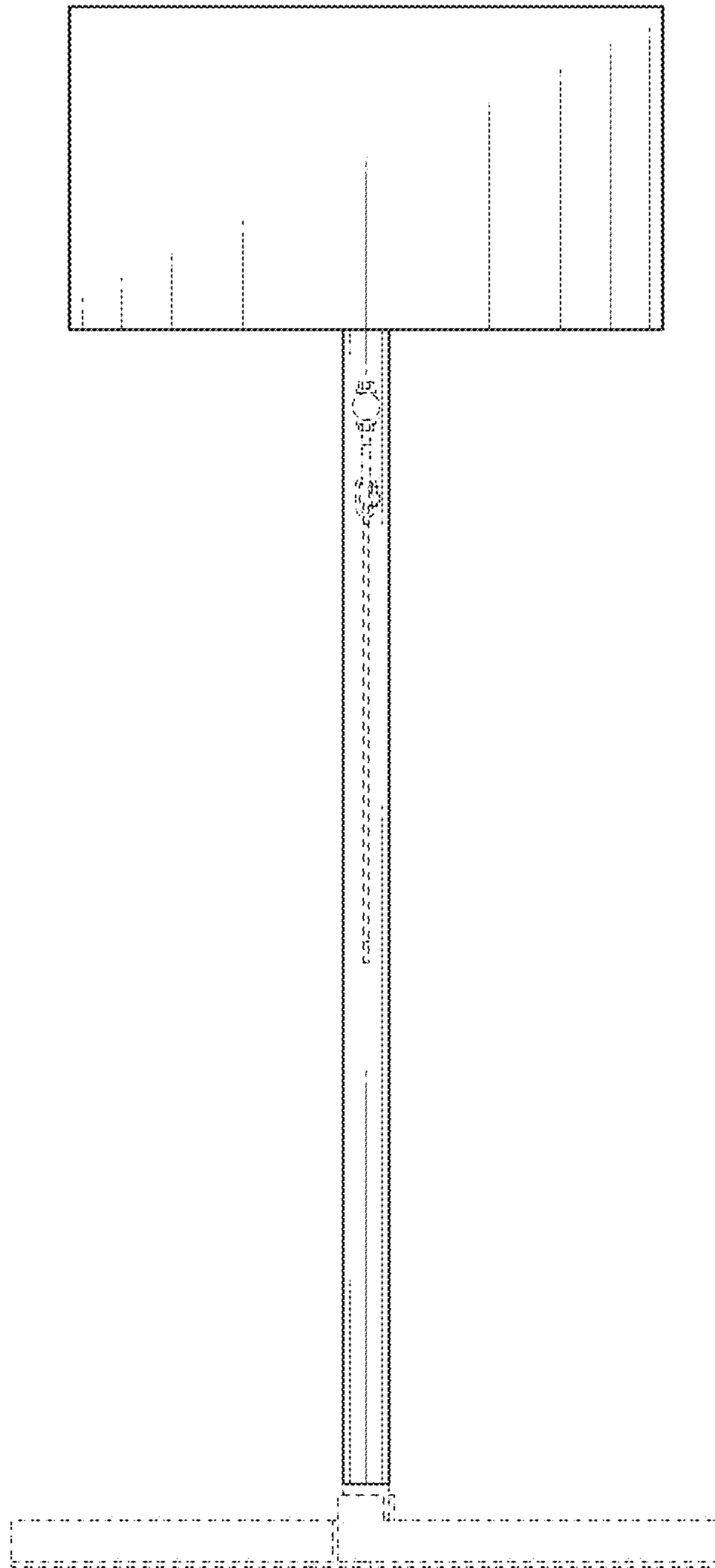


FIG. 4

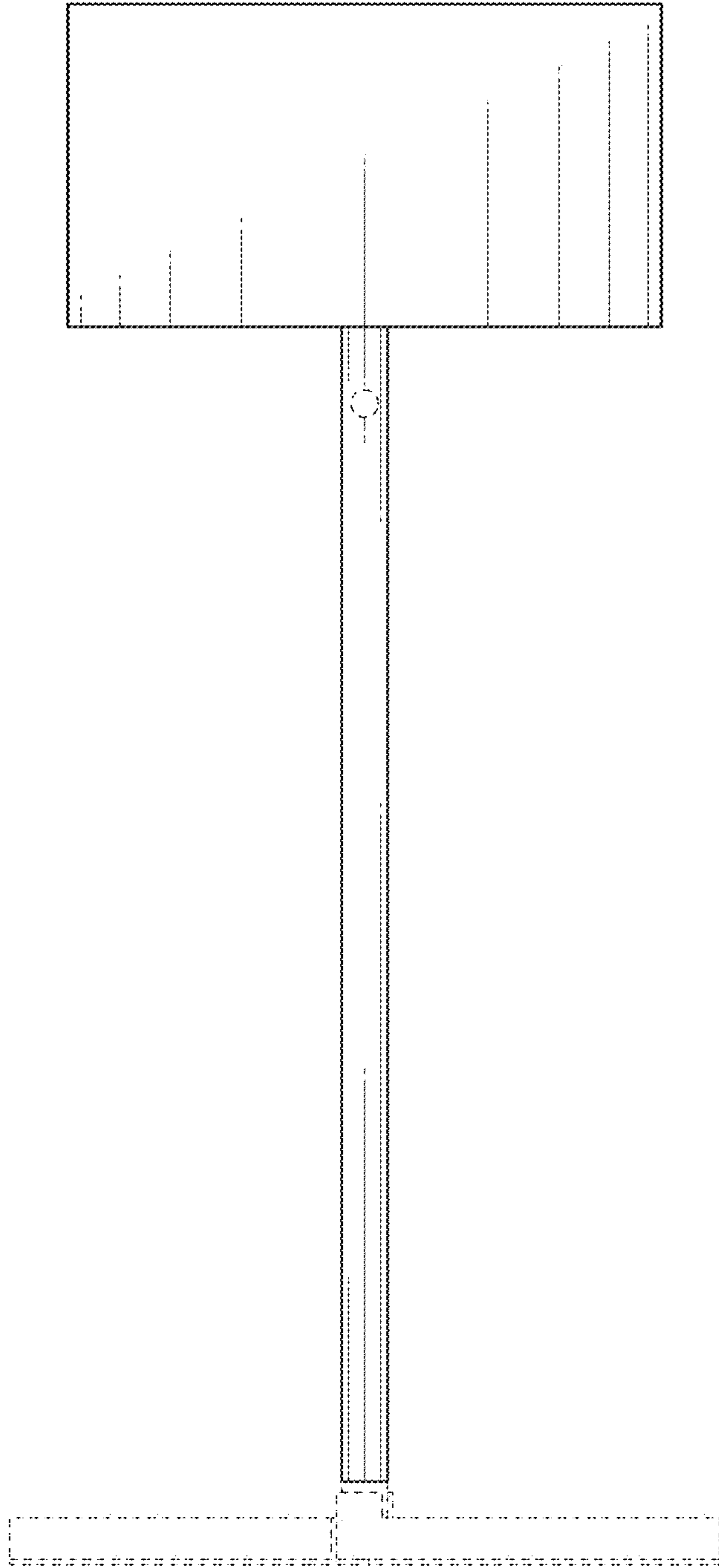


FIG. 5



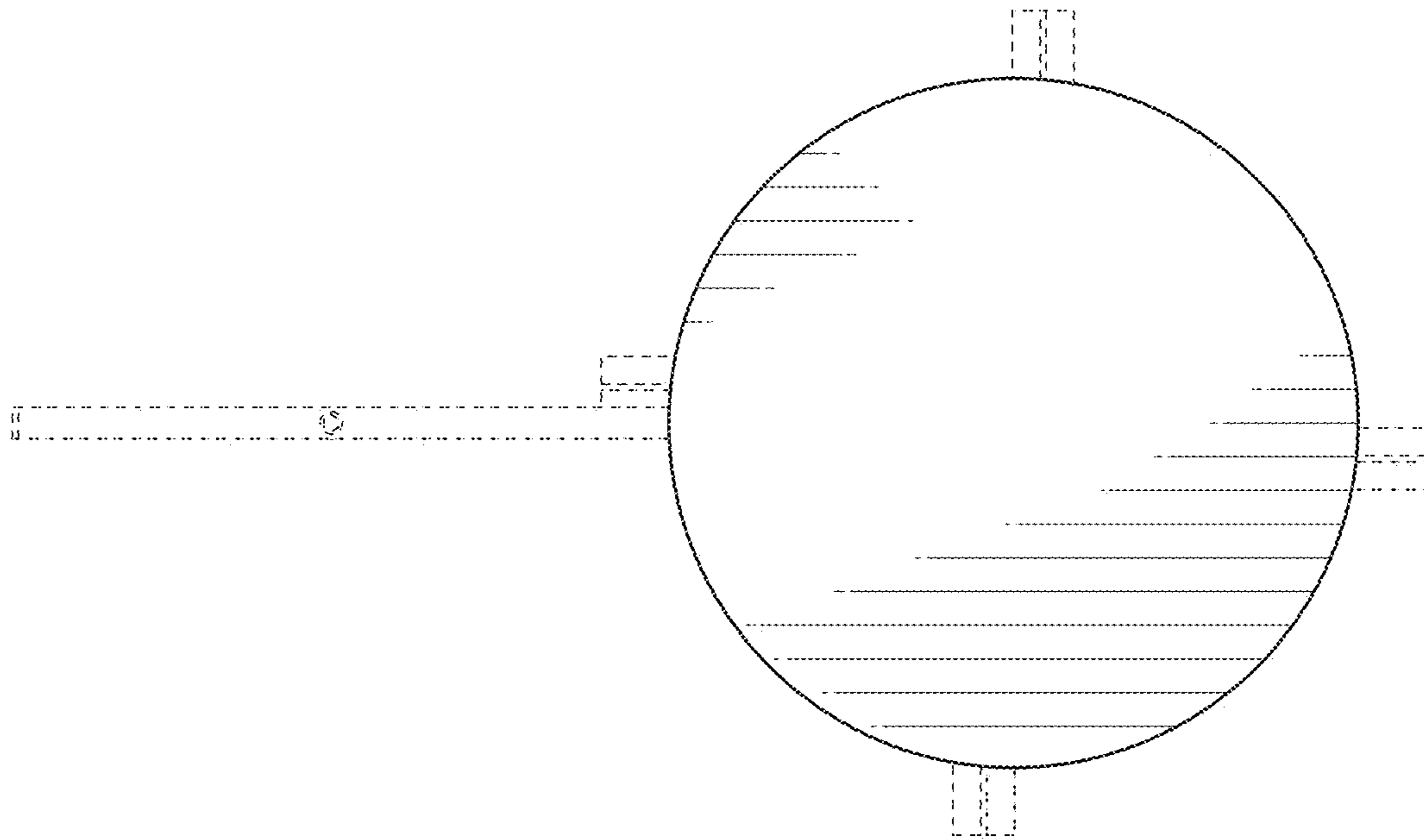


FIG. 6

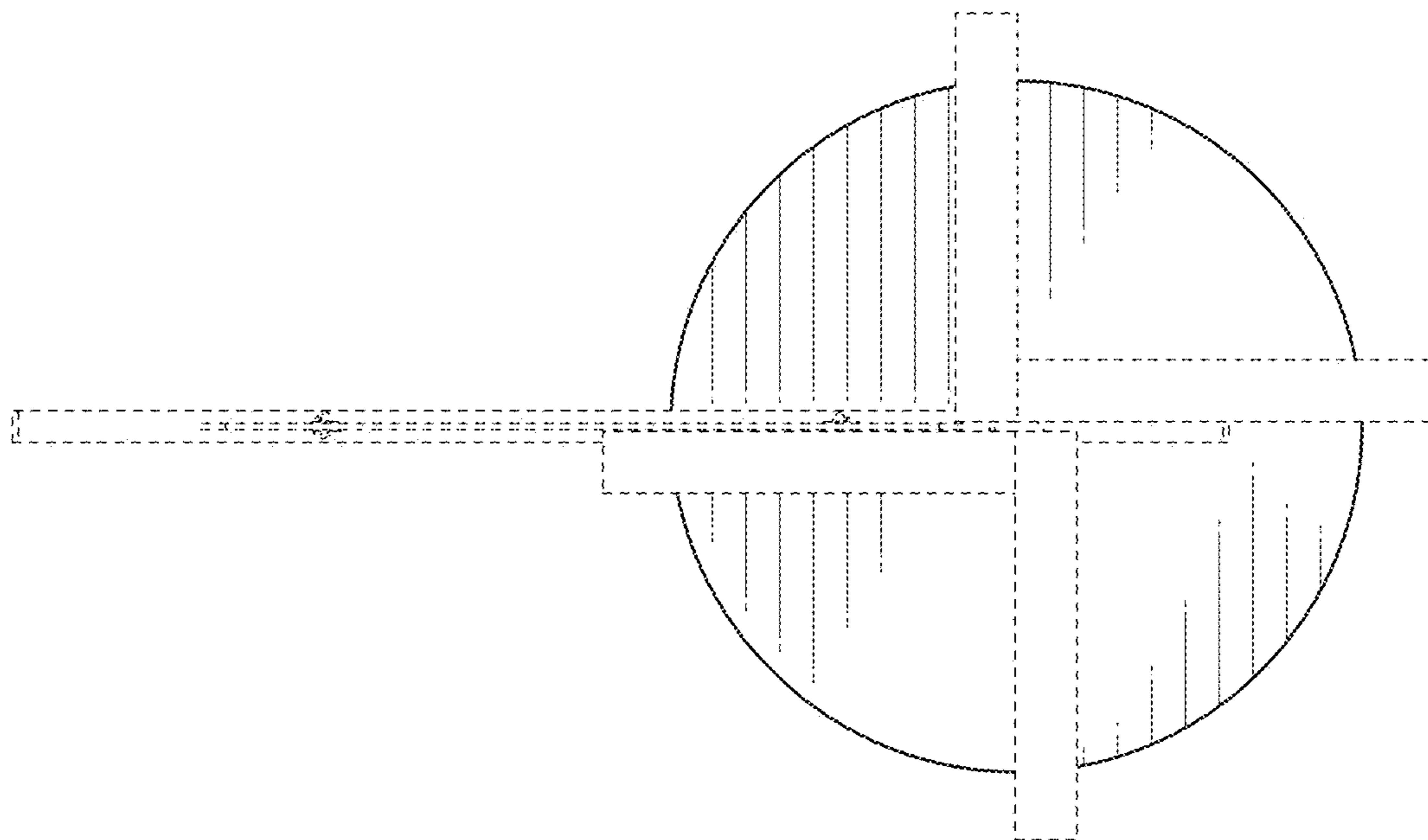


FIG. 7