



US00D972638S

(12) **United States Design Patent** (10) **Patent No.:** **US D972,638 S**  
**Lee et al.** (45) **Date of Patent:** **\*\* Dec. 13, 2022**

(54) **DIGITAL SIGNAGE**

(71) Applicant: **LG ELECTRONICS INC.**, Seoul (KR)

(72) Inventors: **Yoonkyeong Lee**, Seoul (KR); **Yongho Lee**, Seoul (KR); **Jaewon Lim**, Seoul (KR); **Hyunhee You**, Seoul (KR)

(73) Assignee: **LG ELECTRONICS INC.**, Seoul (KR)

(\*\*) Term: **15 Years**

(21) Appl. No.: **29/728,565**

(22) Filed: **Mar. 19, 2020**

(30) **Foreign Application Priority Data**

Sep. 23, 2019 (KR) ..... 30-2019-0045518

(51) **LOC (13) Cl.** ..... **20-03**

(52) **U.S. Cl.**  
USPC ..... **D20/10; D6/332; D14/126**

(58) **Field of Classification Search**  
USPC ..... D10/113.4; D14/125, 126, 371; D20/10, D20/19, 39, 41, 42, 99; D6/332  
CPC ..... G09F 7/00; G09F 7/02; G09F 7/16; G09F 9/00; G09F 9/3026; G09F 9/33; G09F 9/35; G09F 13/00; G09F 13/22; G09F 15/00; G09F 15/0056; G09F 15/0068; G06F 3/14; H01R 13/514  
See application file for complete search history.

(56) **References Cited**

U.S. PATENT DOCUMENTS

D590,607 S \* 4/2009 Beno ..... D6/332  
D661,123 S \* 6/2012 Curbbun ..... D6/675.1  
8,707,597 B1 \* 4/2014 Cavalieri ..... G09F 15/0056  
40/611.06

D708,459 S \* 7/2014 Heirakuji ..... D6/675  
D719,120 S \* 12/2014 Park ..... D14/126  
D720,709 S \* 1/2015 Lee ..... D14/126  
D721,049 S \* 1/2015 Lee ..... D14/126  
D736,168 S \* 8/2015 Kim ..... D14/126  
D736,169 S \* 8/2015 Kim ..... D14/126  
D761,220 S \* 7/2016 Kim ..... D14/126  
D761,221 S \* 7/2016 Kim ..... D14/126  
D805,049 S \* 12/2017 Lim ..... D14/126  
D824,355 S \* 7/2018 Kim ..... D14/126  
D835,056 S \* 12/2018 Won ..... D14/126  
D835,059 S \* 12/2018 Kim ..... D14/126  
D835,595 S \* 12/2018 Won ..... D14/126  
D852,274 S \* 6/2019 Lim ..... D20/39  
D868,014 S \* 11/2019 Kim ..... D14/126  
D899,387 S \* 10/2020 Lee ..... D14/126  
D900,221 S \* 10/2020 Dance ..... D20/39  
D929,355 S \* 8/2021 Diao ..... D14/126  
2011/0011561 A1 \* 1/2011 Takahashi ..... G09F 9/35  
165/67

\* cited by examiner

*Primary Examiner* — Catherine Ho

(74) *Attorney, Agent, or Firm* — Birch, Stewart, Kolasch & Birch, LLP

(57) **CLAIM**

The ornamental design for a digital signage, as shown and described.

**DESCRIPTION**

FIG. 1 is a front, right side, perspective view of a digital signage showing our new design;  
FIG. 2 is a front view thereof;  
FIG. 3 is a rear view thereof;  
FIG. 4 is a left side view thereof;  
FIG. 5 is a right side view thereof;  
FIG. 6 is a top view thereof; and,  
FIG. 7 is a bottom view.

**1 Claim, 7 Drawing Sheets**

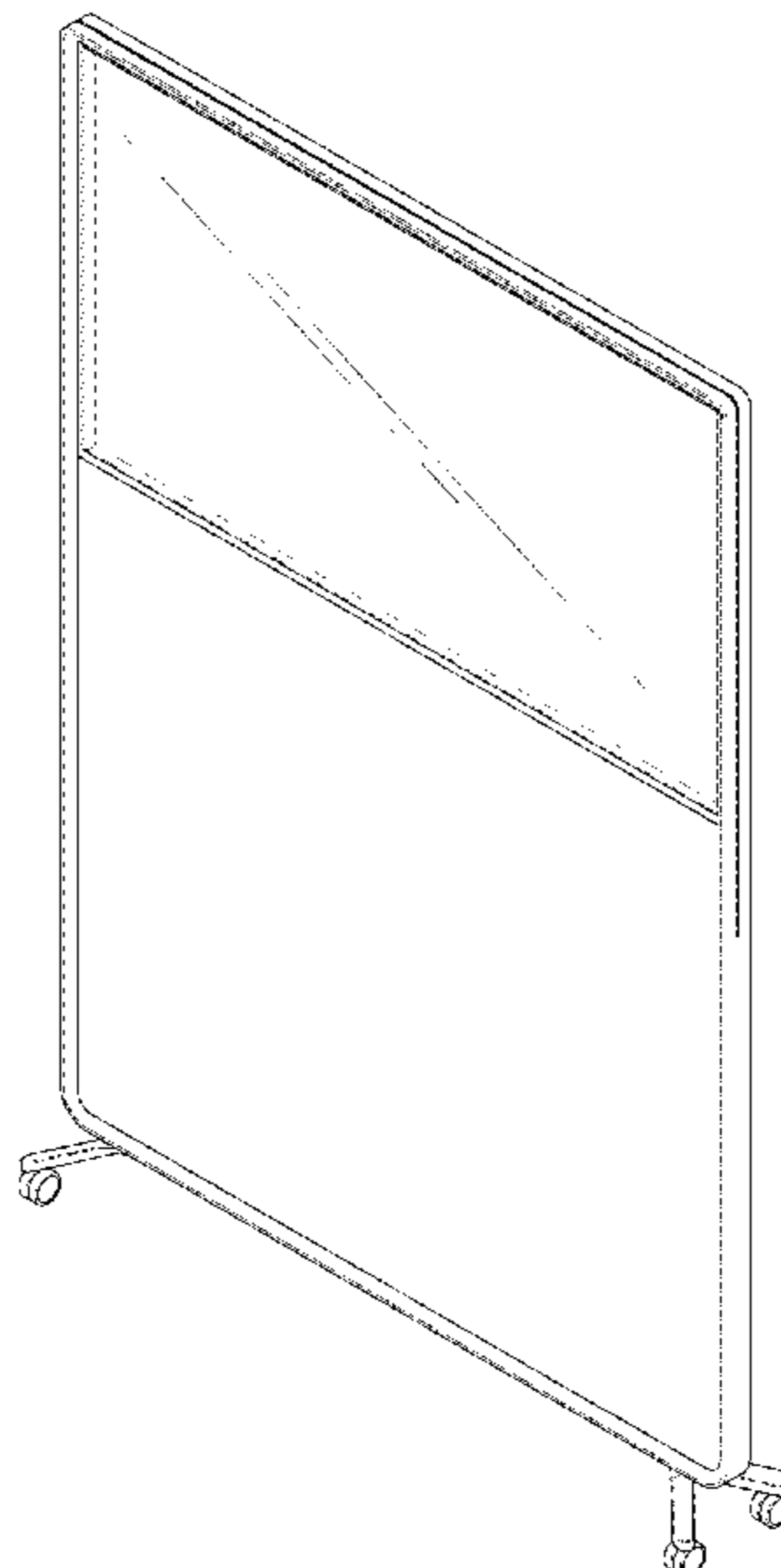


FIG. 1

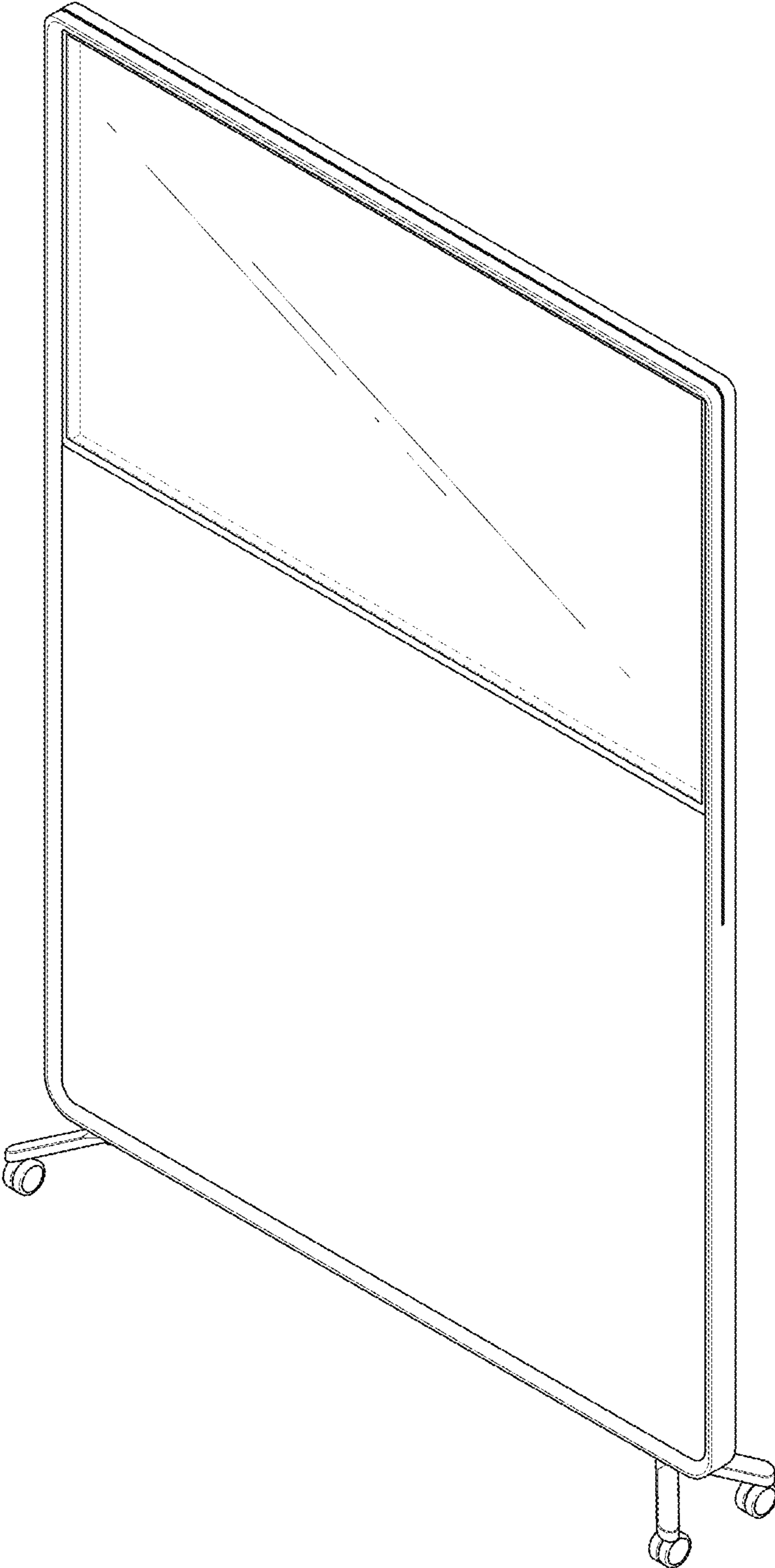


FIG. 2

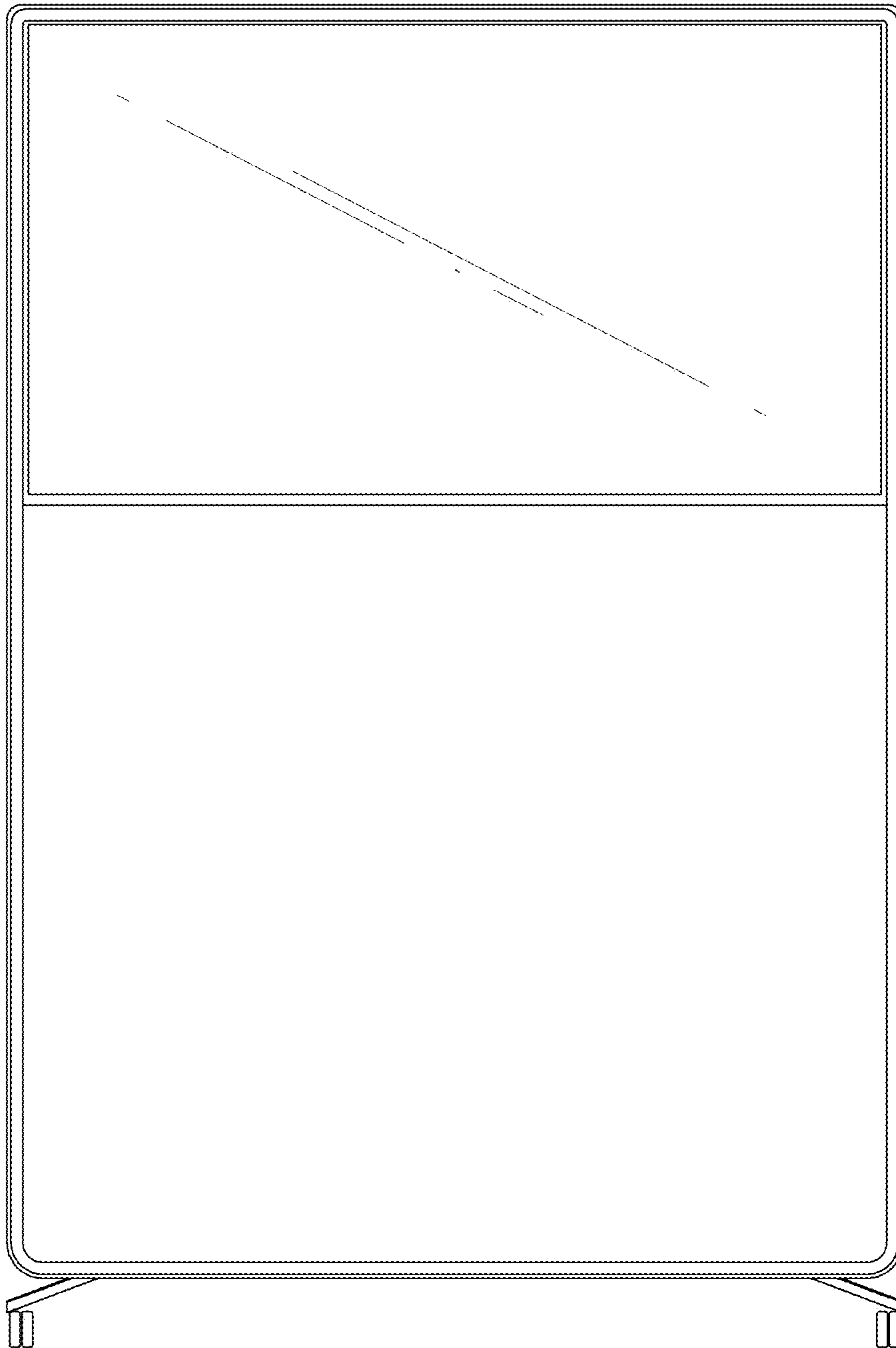


FIG. 3

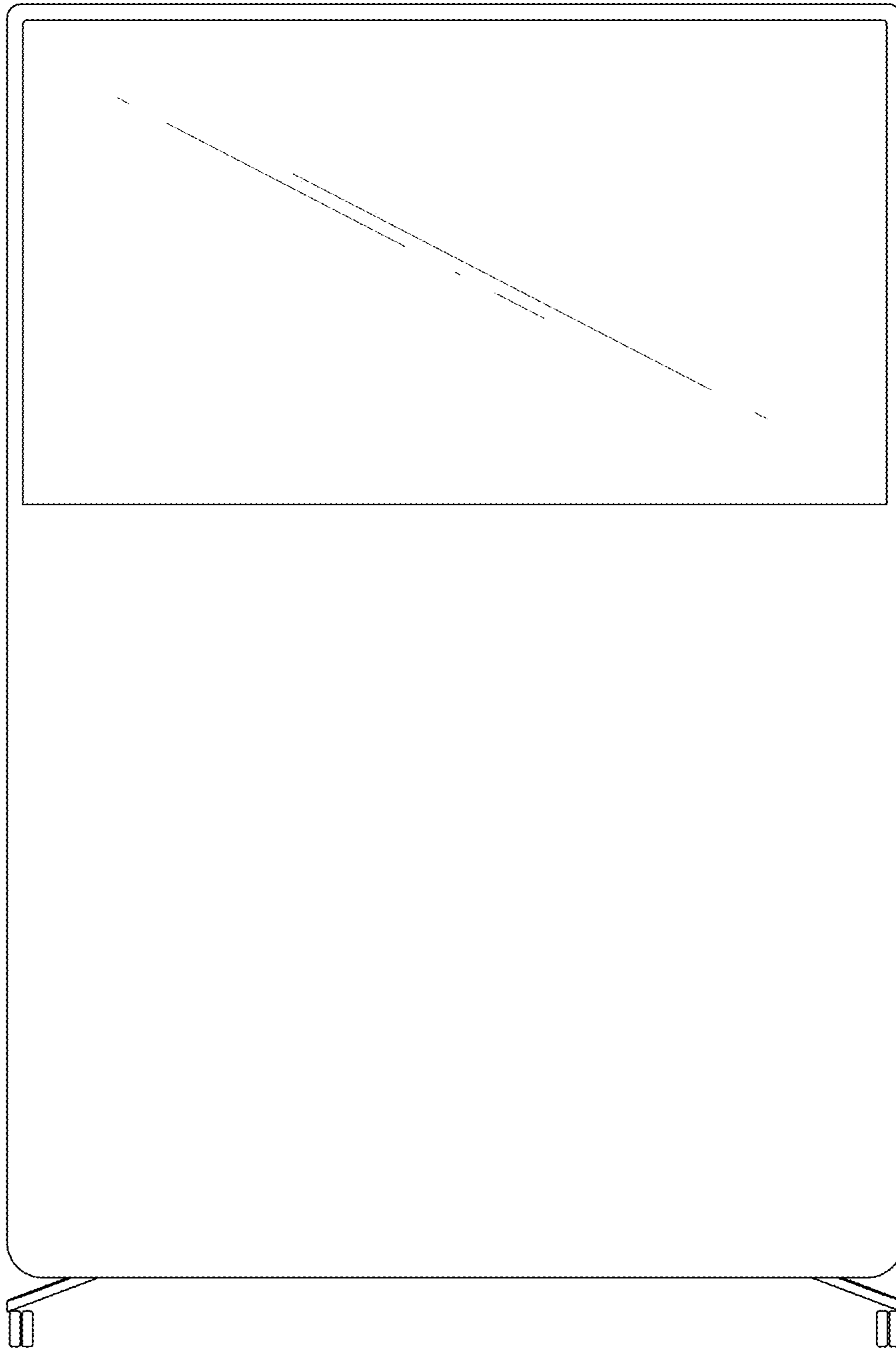


FIG. 4

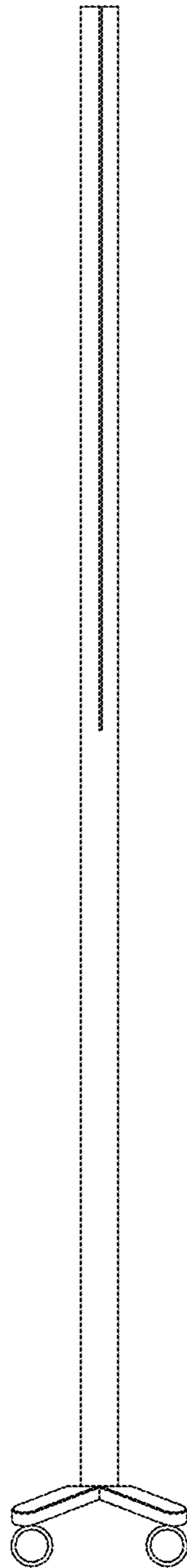


FIG. 5

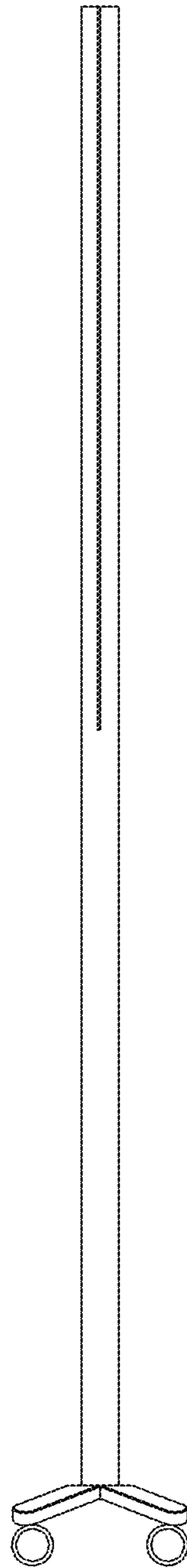


FIG. 6

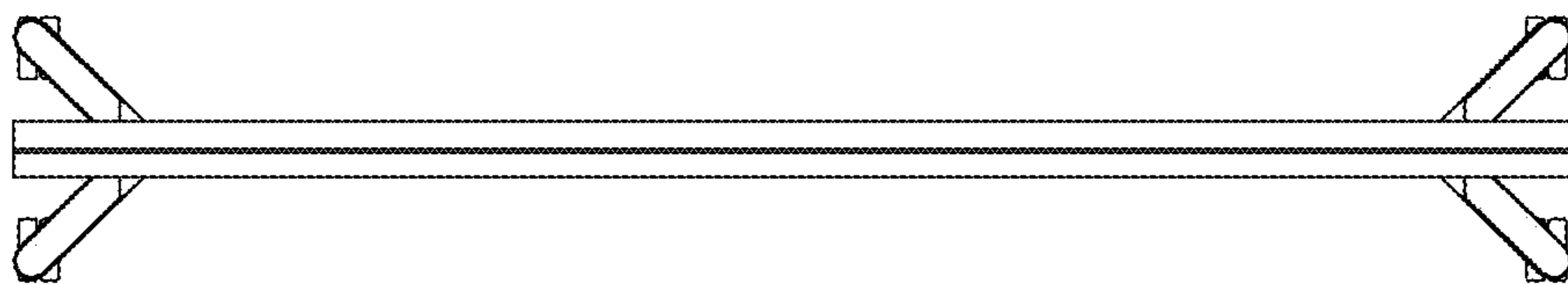


FIG. 7

