



US00D972636S

(12) **United States Design Patent**
Padden

(10) **Patent No.:** **US D972,636 S**

(45) **Date of Patent:** **** Dec. 13, 2022**

(54) **COLLAPSIBLE WATER COLOR PALETTE**

(71) Applicant: **Stephen Padden**, Long Beach, CA
(US)

(72) Inventor: **Stephen Padden**, Long Beach, CA
(US)

(**) Term: **15 Years**

(21) Appl. No.: **29/697,555**

(22) Filed: **Jul. 9, 2019**

(51) **LOC (13) Cl.** **19-06**

(52) **U.S. Cl.**
USPC **D19/103**

(58) **Field of Classification Search**
USPC D3/201, 203.1, 203.2, 203.3, 205, 206,
D3/273, 294, 295, 302; D9/737, 756,
D9/759, 414, 420, 421; D19/103, 104,
D19/106
CPC .. B25H 3/00; B25H 3/3003; A61J 1/00; A61J
1/03; A61J 1/06; B65D 1/09; B65D 1/24;
B65D 43/14; B65D 43/161; B65D 83/04;
B65D 2583/04; B65D 83/0445; A45C
11/34; B44D 3/04
See application file for complete search history.

(56) **References Cited**

U.S. PATENT DOCUMENTS

1,973,283	A *	9/1934	Buttrick	A45C 5/005 D12/205
D339,742	S *	9/1993	Walchek, Jr.	D9/423
D358,546	S *	5/1995	Walchek, Jr.	D3/203.3
D358,762	S *	5/1995	Walchek, Jr.	D3/203.3
D374,988	S *	10/1996	Hillinger	D3/273
D398,521	S *	9/1998	Coe	D9/423
5,806,670	A *	9/1998	Harlan	A61J 1/03 220/523
D404,560	S *	1/1999	Ullmann	D3/205
5,941,255	A *	8/1999	Chen	A45D 29/20 206/823

D422,408	S *	4/2000	Schwartz	D3/273
D425,294	S *	5/2000	Haverstick	D3/203.1
D426,381	S *	6/2000	Au	D3/265
D440,402	S *	4/2001	Tiramani	D3/276
D446,011	S *	8/2001	Ogilvie	D3/273
D446,012	S *	8/2001	Ashiwa	D3/273
D458,751	S *	6/2002	Hsieh	D3/273

(Continued)

Primary Examiner — Steven J Czyz

(74) *Attorney, Agent, or Firm* — Quickpatents, LLC;
Kevin Prince

(57) **CLAIM**

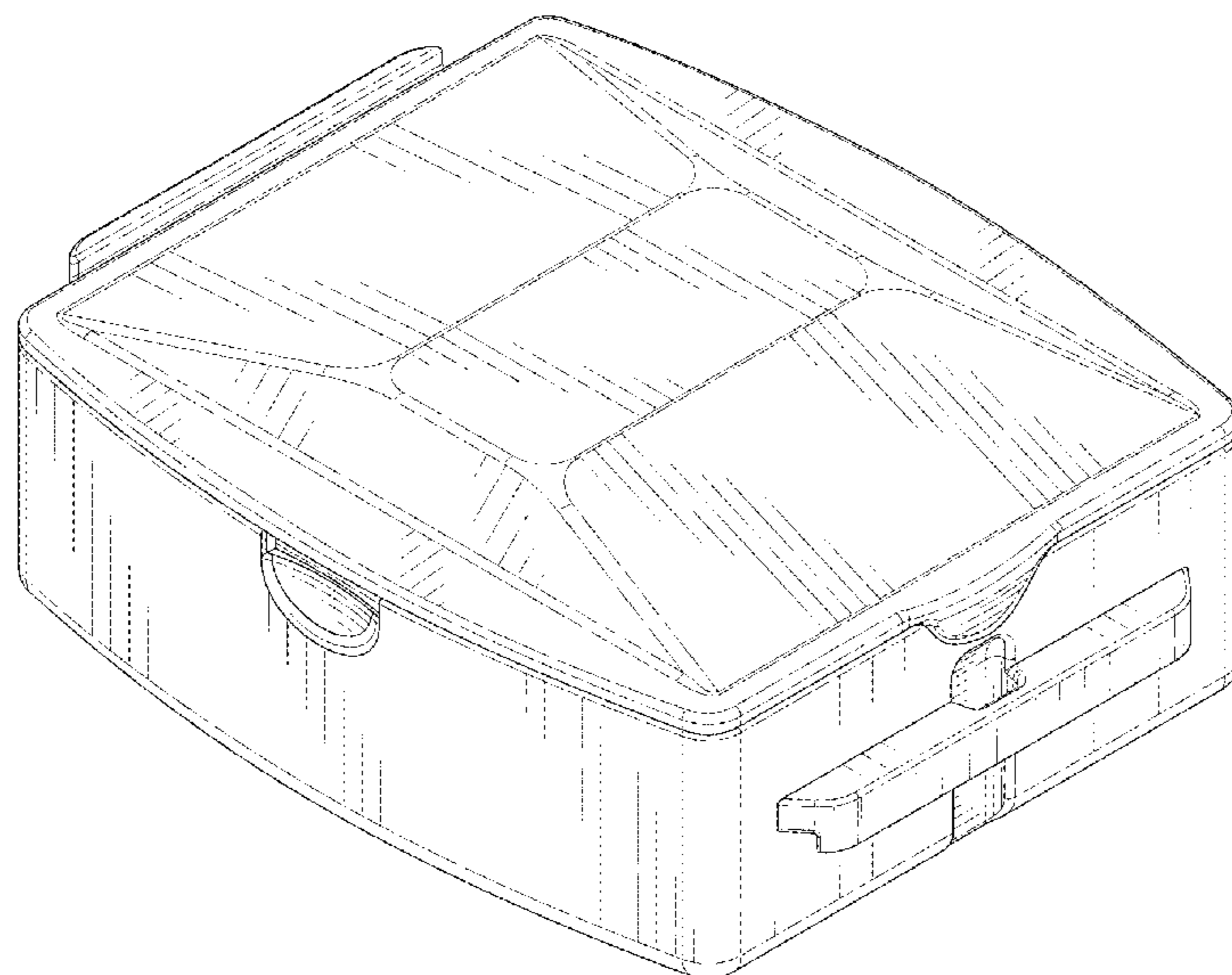
The ornamental design for a collapsible water color palette,
as shown and described.

DESCRIPTION

FIG. 1 is a front perspective view of a collapsible water color palette, showing my new design in a closed configuration; FIG. 2 is a rear perspective view of FIG. 1; FIG. 3 is a front elevational view of FIG. 1; FIG. 4 is a rear elevational view of FIG. 1; FIG. 5 is a right-side elevational view of FIG. 1; FIG. 6 is a left-side elevational view of FIG. 1; FIG. 7 is a top plan view of FIG. 1; FIG. 8 is a bottom plan view of FIG. 1; FIG. 9 is a front perspective view of the collapsible water color palette, shown in an open configuration; FIG. 10 is a rear perspective view of FIG. 9; FIG. 11 is a front elevational view of FIG. 9; FIG. 12 is a rear elevational view of FIG. 9; FIG. 13 is a right-side elevational view of FIG. 9; FIG. 14 is a left-side elevational view of FIG. 9; FIG. 15 is a top plan view of FIG. 9; and, FIG. 16 is a bottom plan view of FIG. 9.

The broken lines in the figures depict portions of the collapsible water color palette that form no part of the claimed design.

1 Claim, 9 Drawing Sheets



(56)

References Cited

U.S. PATENT DOCUMENTS

D464,485 S * 10/2002 Sward D3/273
 D483,559 S * 12/2003 Eldon, III D3/203.1
 D484,305 S * 12/2003 Eldon, III D3/205
 D549,119 S * 8/2007 Becker D10/104.1
 D569,103 S * 5/2008 Hoge D3/273
 D576,790 S * 9/2008 Swan D3/218
 D613,943 S * 4/2010 Fu Chue D3/203.1
 D617,545 S * 6/2010 Foster D3/203.1
 D652,617 S * 1/2012 Chen D3/203.3
 D655,079 S * 3/2012 Patenaude D3/203.1
 D661,898 S * 6/2012 Aigle D3/295
 D668,555 S * 10/2012 Archie, Jr. D9/761
 D688,420 S * 8/2013 Lai D3/901
 D720,526 S * 1/2015 Lopez-Stout D3/315
 D756,626 S * 5/2016 Tollefsbol D3/201
 D758,064 S * 6/2016 Zwetzig D3/201
 D758,065 S * 6/2016 Zwetzig D3/201
 D785,939 S * 5/2017 Cooper D3/295
 D793,074 S * 8/2017 Tollefsbol D3/201
 9,764,878 B2 * 9/2017 Semer B65D 51/28
 D804,808 S * 12/2017 Ukrainsky D3/203.3
 D805,774 S * 12/2017 Sun D3/294

D809,779 S * 2/2018 Muriithi D3/203.3
 D811,722 S * 3/2018 Padden D3/203.1
 D828,028 S * 9/2018 Seiders B65D 51/28
 D3/294
 D881,568 S * 4/2020 Luburic B65D 21/0233
 D3/273
 10,611,549 B1 * 4/2020 Mahon B65D 1/24
 D887,137 S * 6/2020 Burek B65D 1/24
 D3/273
 D889,117 S * 7/2020 Lee D3/203.2
 D889,118 S * 7/2020 Lee D3/203.2
 D894,275 S * 8/2020 Taylor D19/83
 D896,309 S * 9/2020 Han D19/106
 D908,959 S * 1/2021 Ramm D3/205
 D935,167 S * 11/2021 Chen D3/203.3
 D938,162 S * 12/2021 Chui D3/206
 D948,210 S * 4/2022 Rohrer B44D 3/04
 D3/273
 D948,866 S * 4/2022 Wilkins A61J 1/03
 D3/273
 2018/0264876 A1 * 9/2018 Davis B44D 3/04
 2020/0095009 A1 * 3/2020 Allers B65D 21/0233
 2021/0300640 A1 * 9/2021 Ludewig B65D 50/046

* cited by examiner

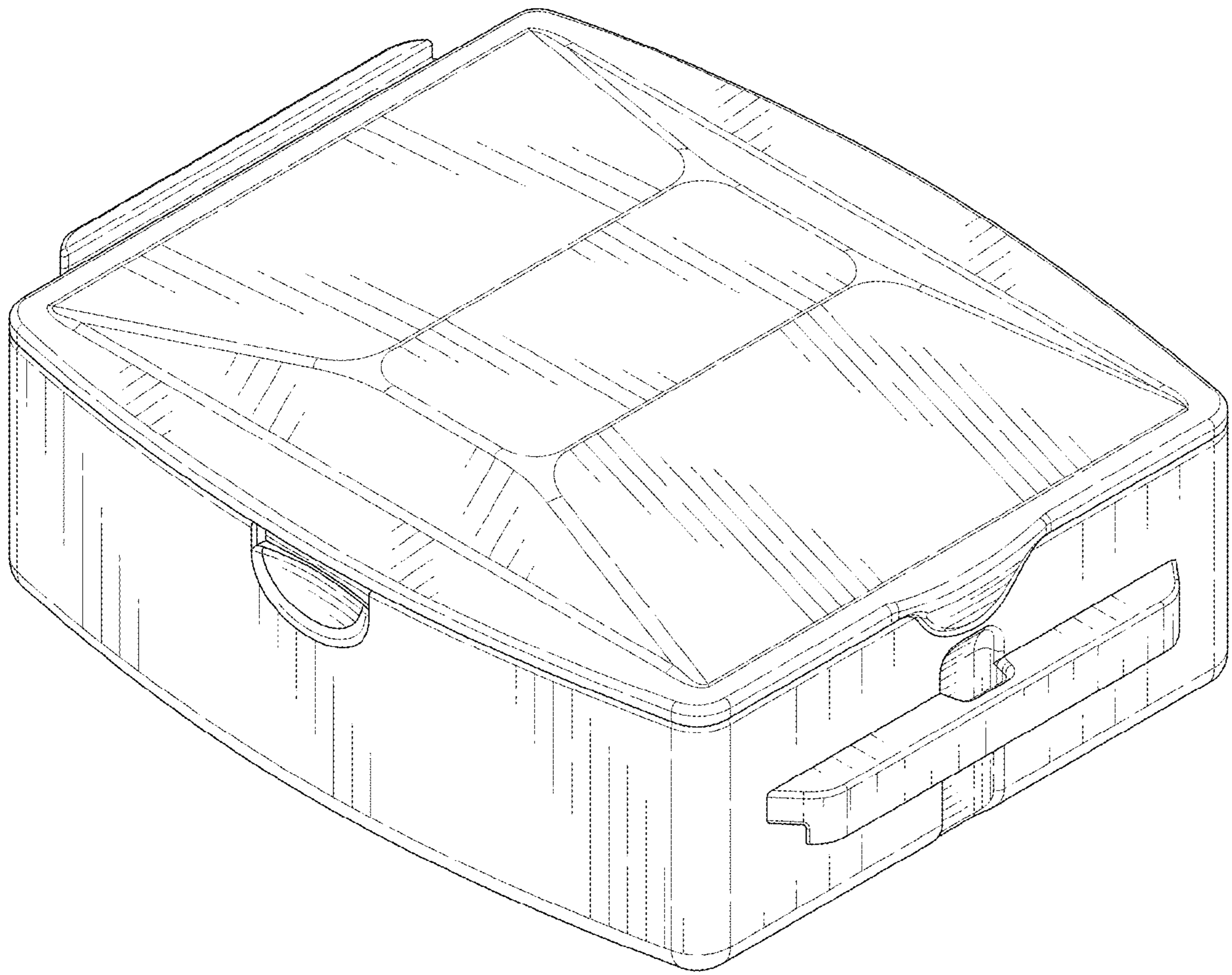


FIG. 1

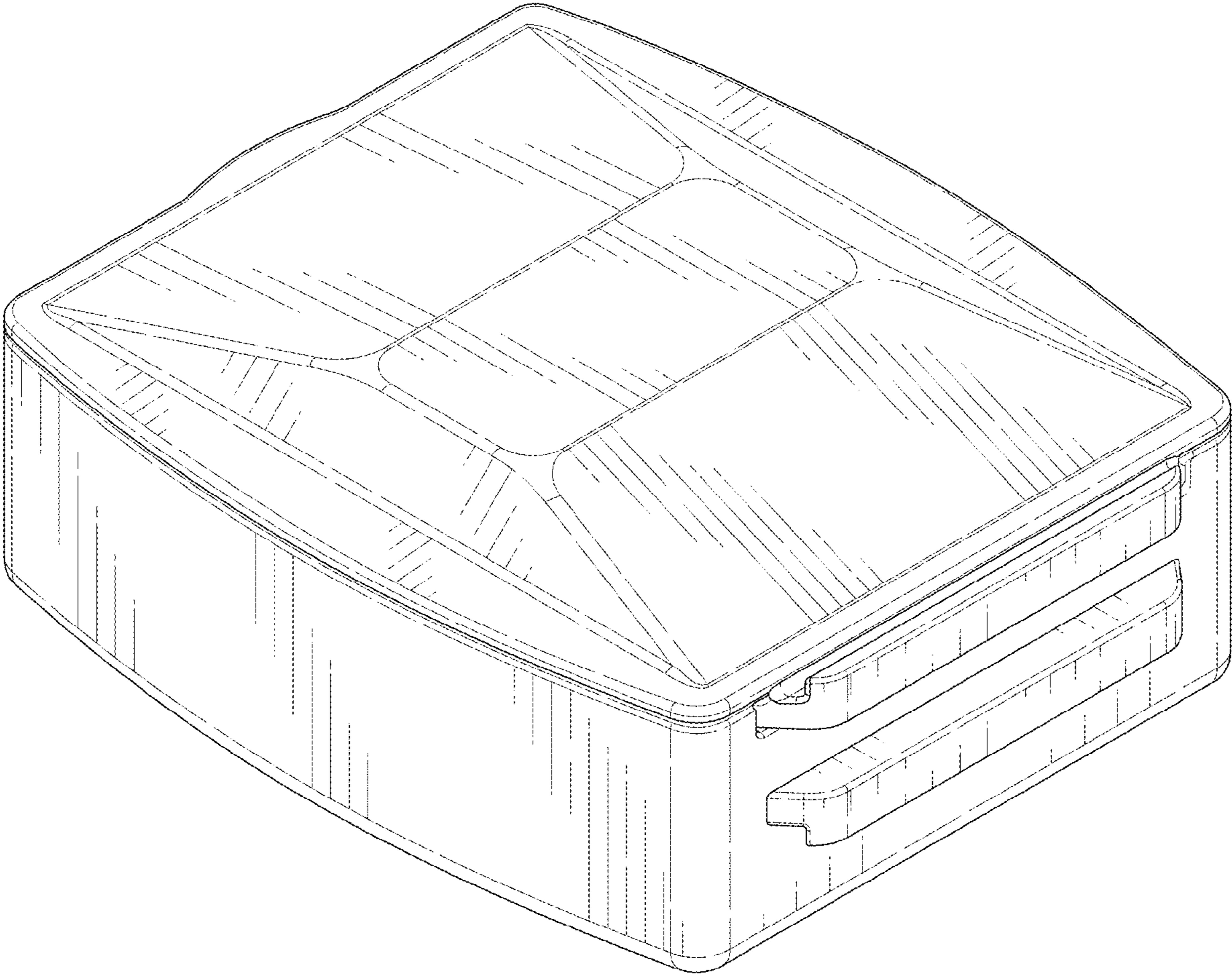


FIG. 2

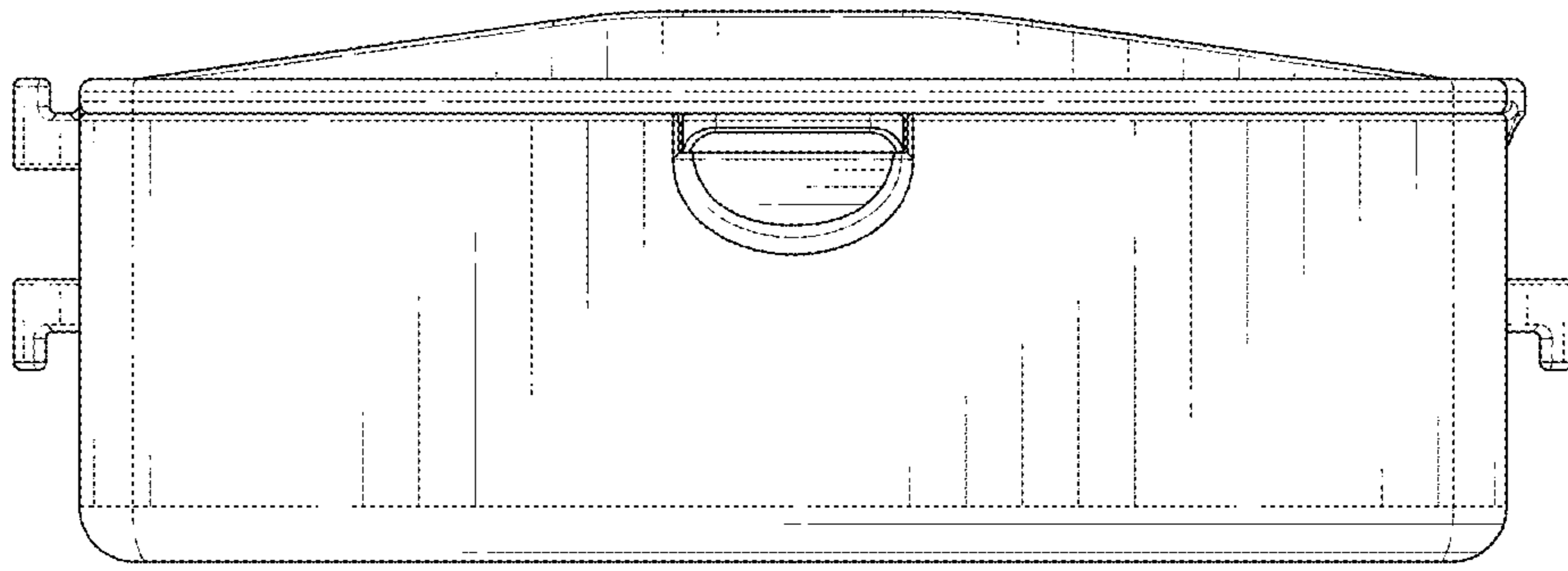


FIG. 3

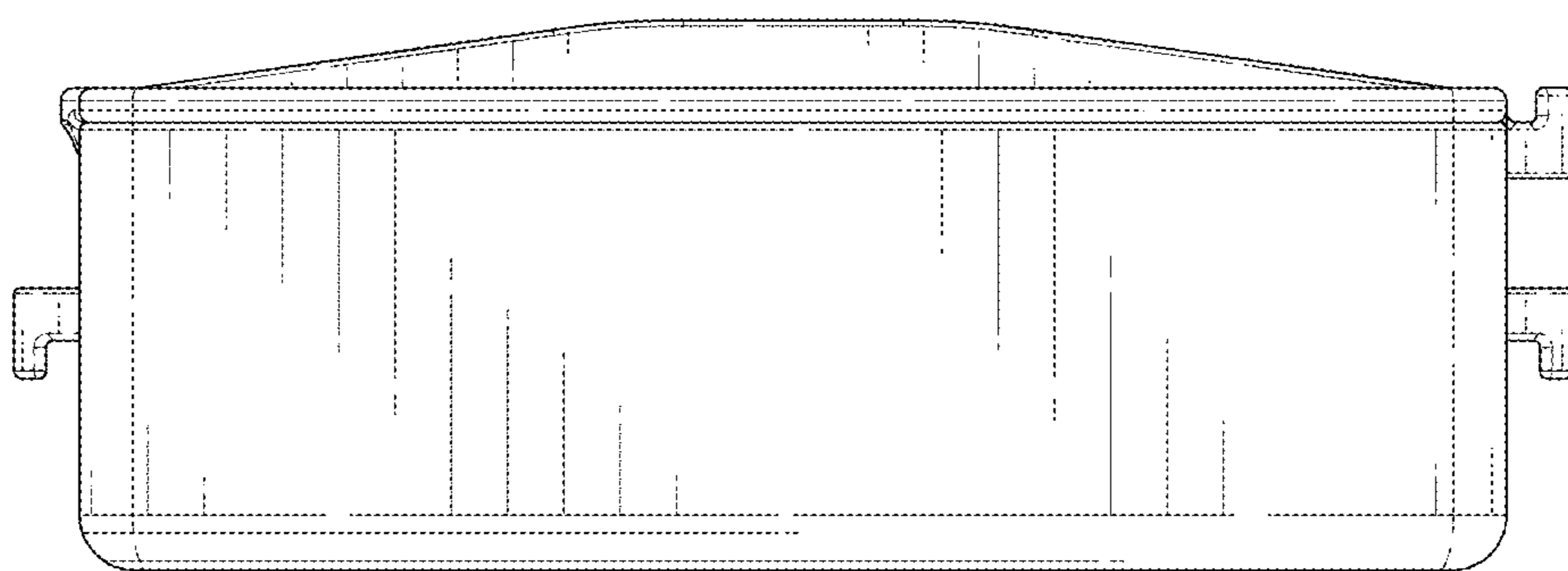


FIG. 4

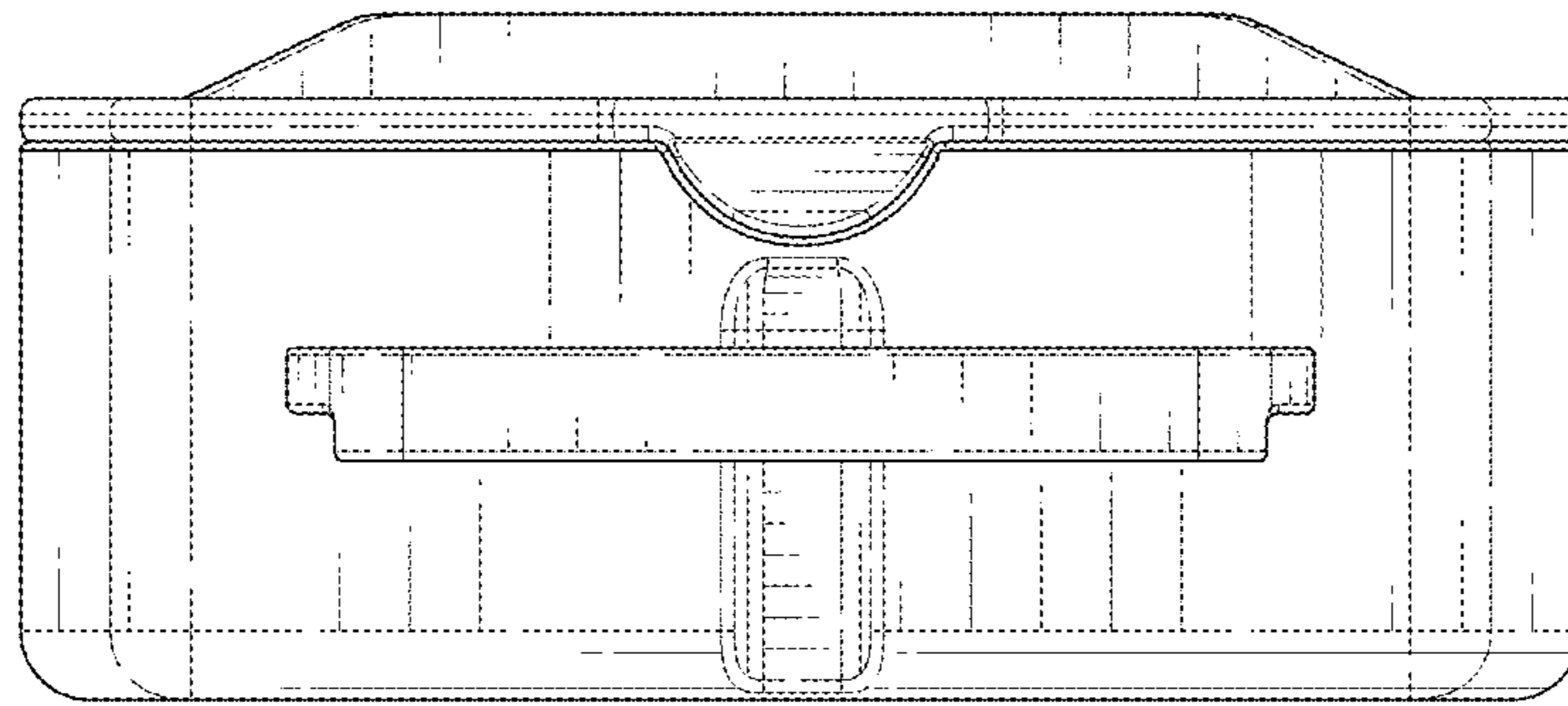


FIG. 5

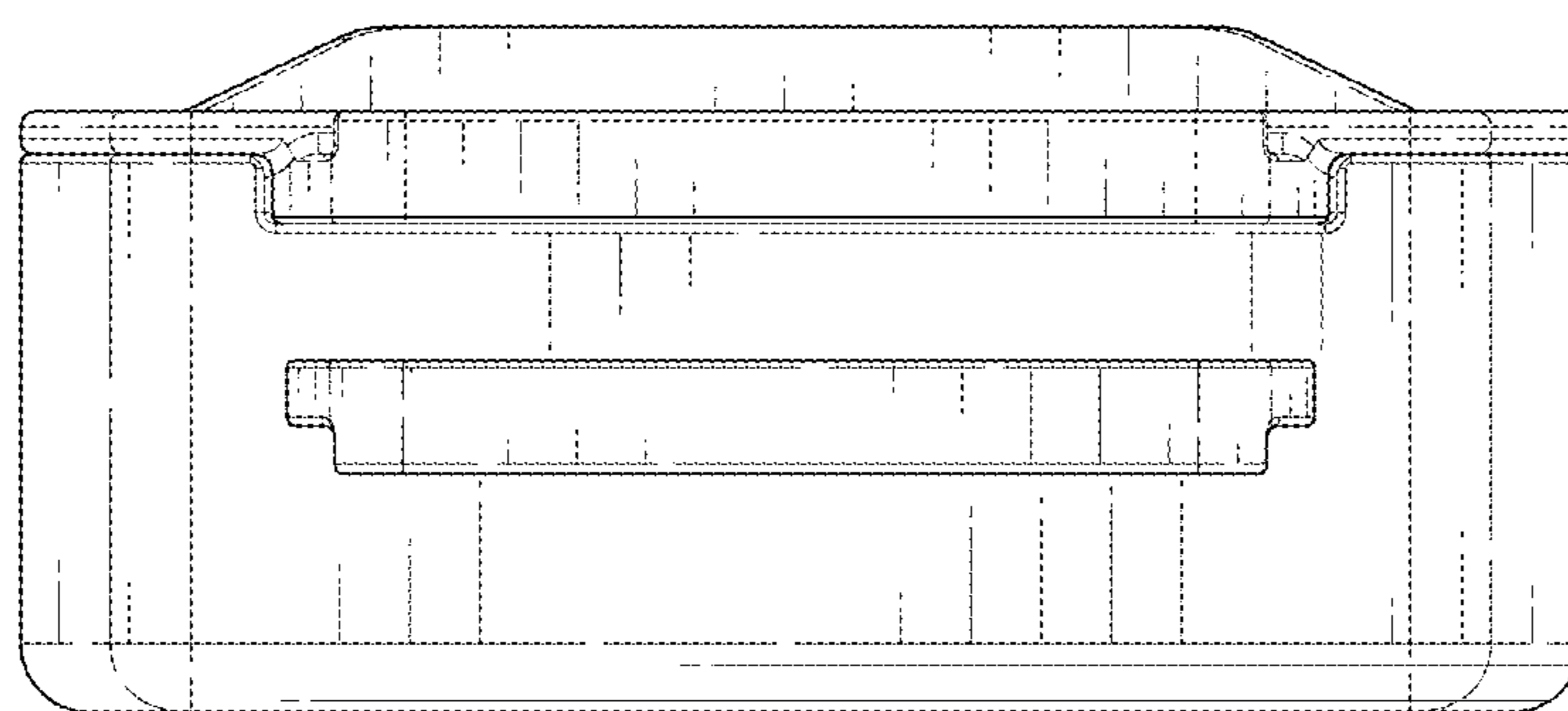


FIG. 6

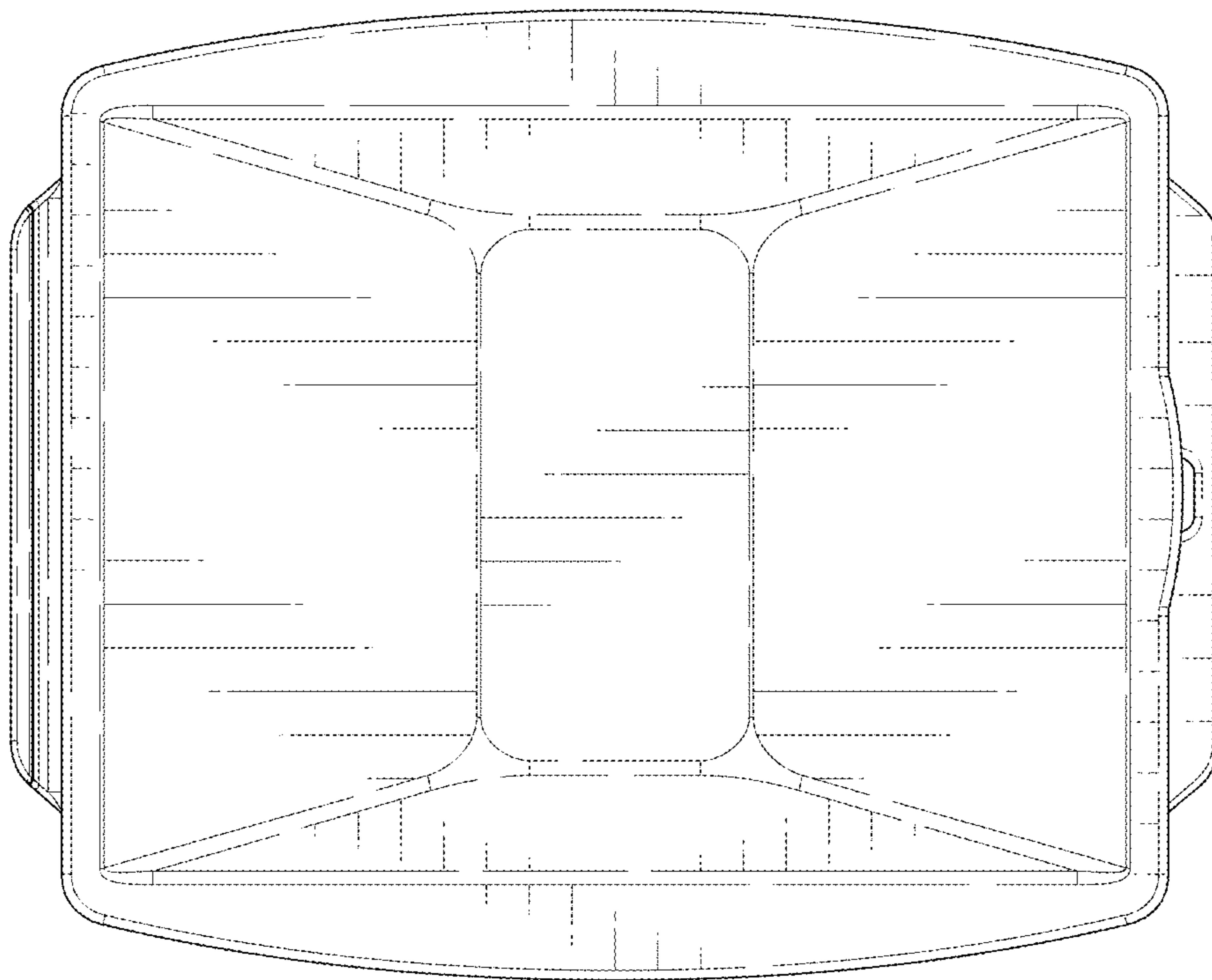


FIG. 7

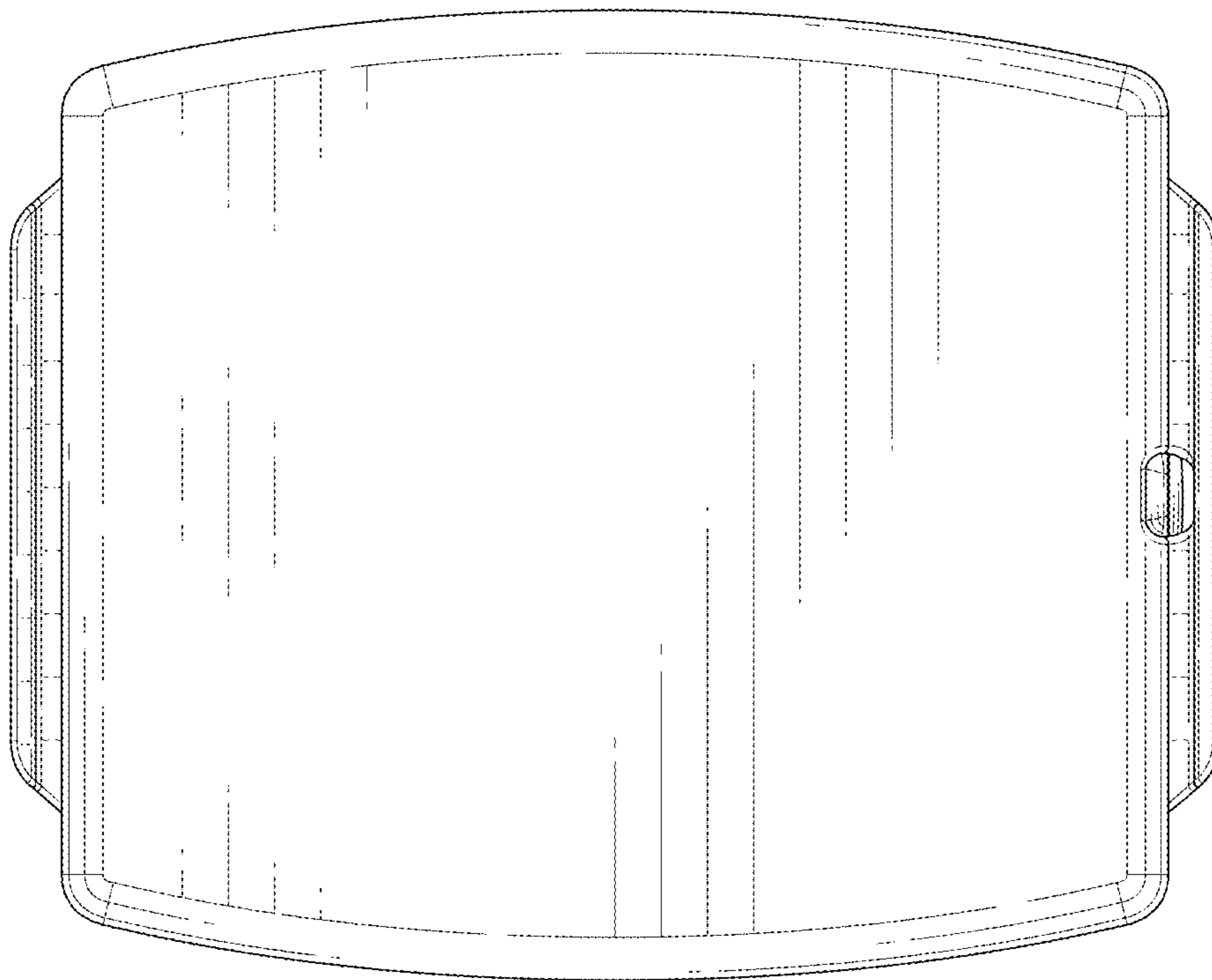


FIG. 8

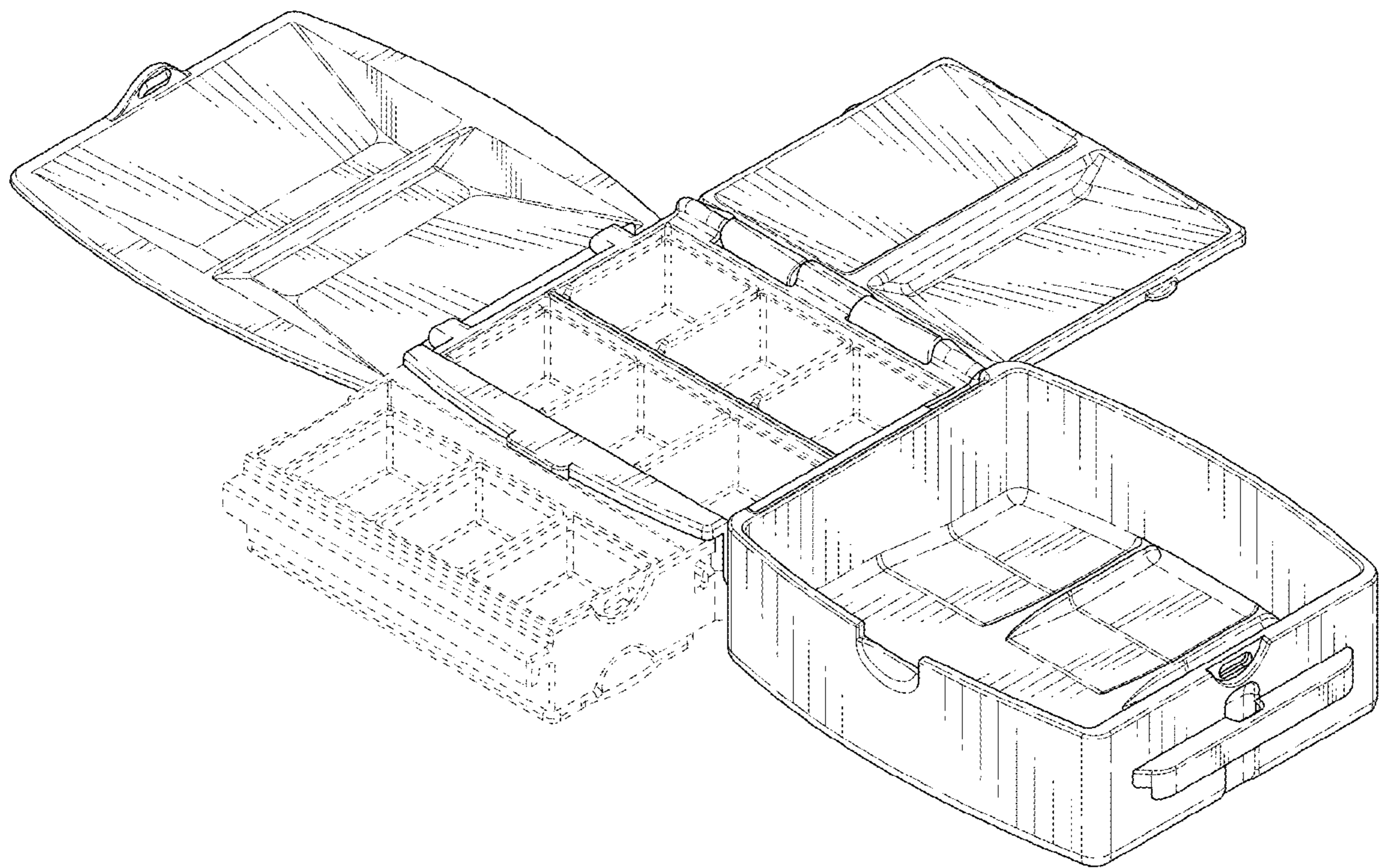


FIG. 9

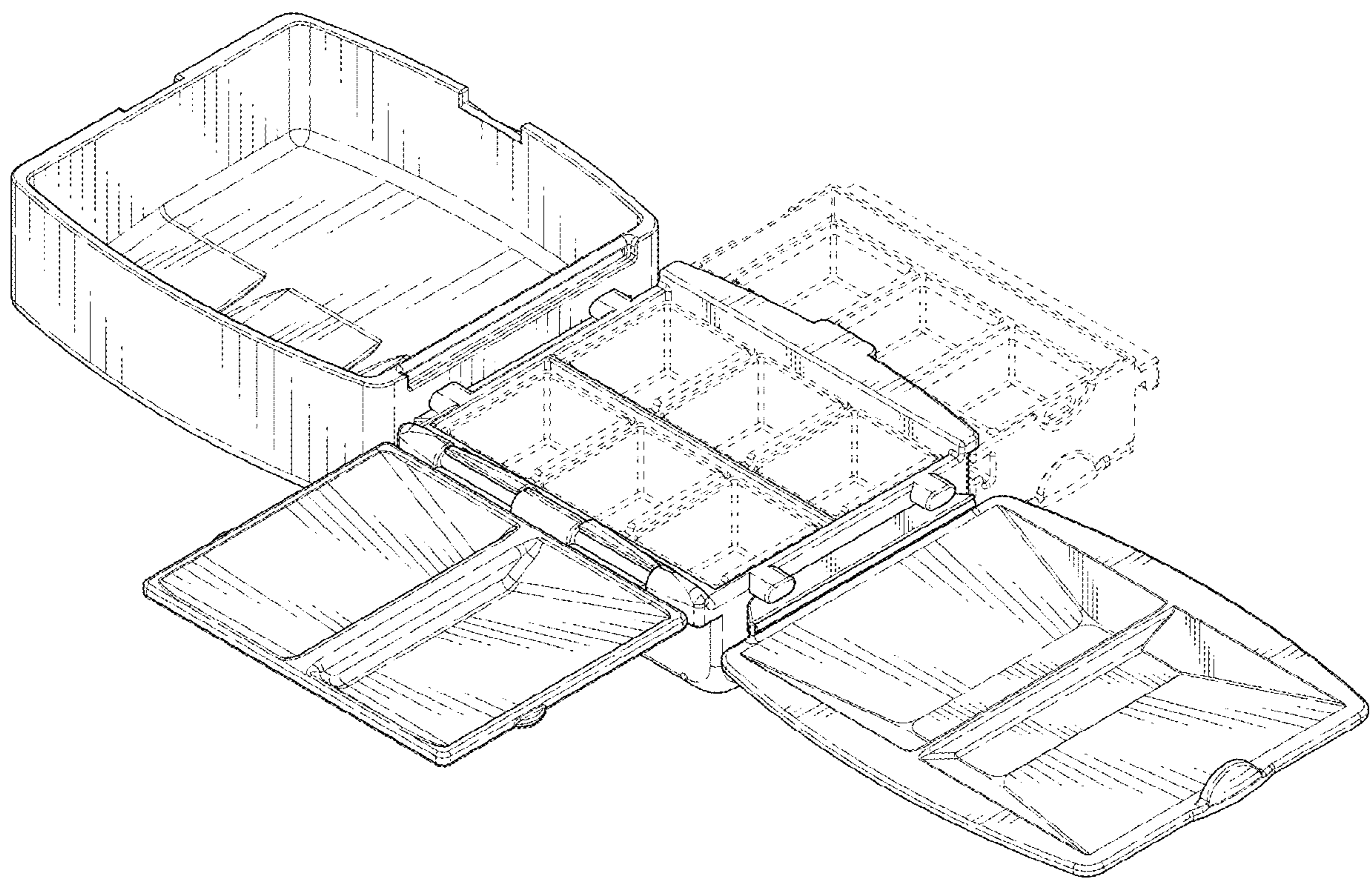


FIG. 10

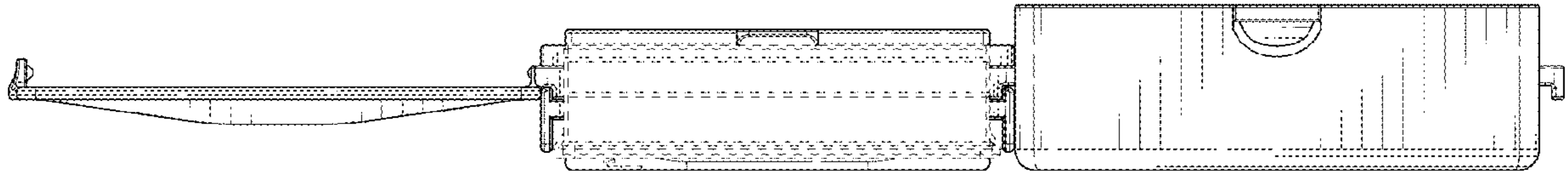


FIG. 11

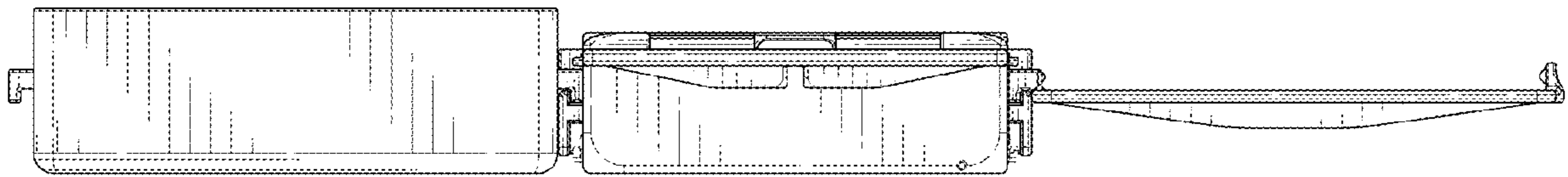


FIG. 12

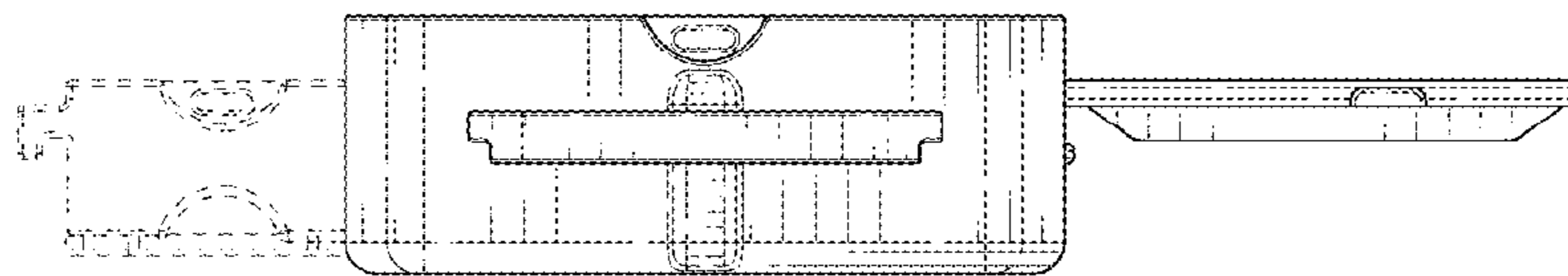


FIG. 13

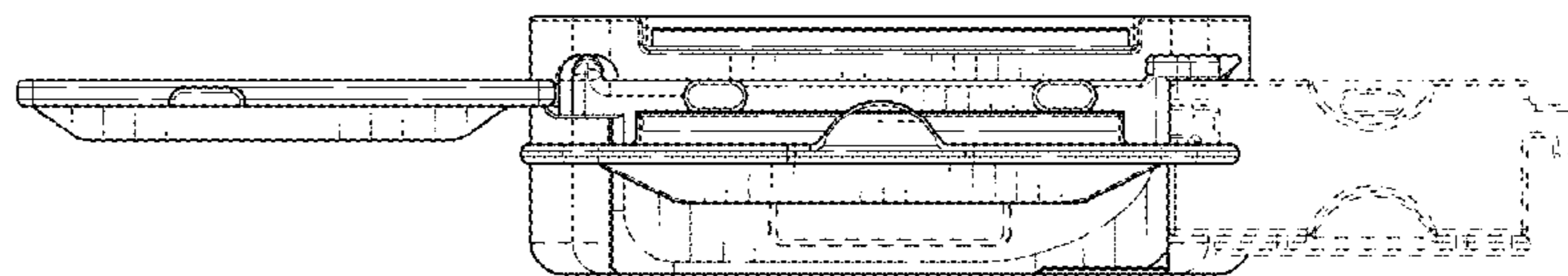


FIG. 14

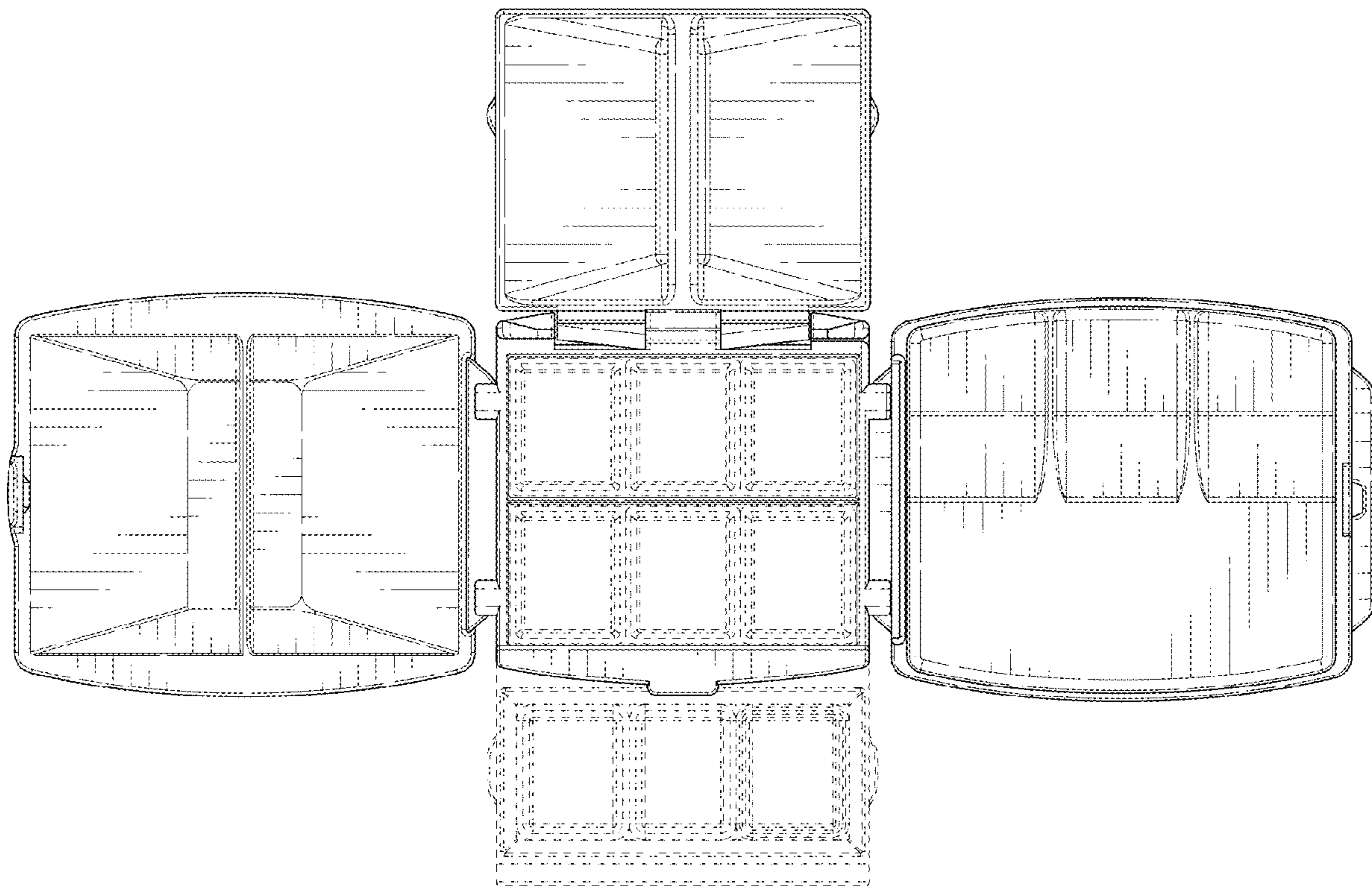


FIG. 15

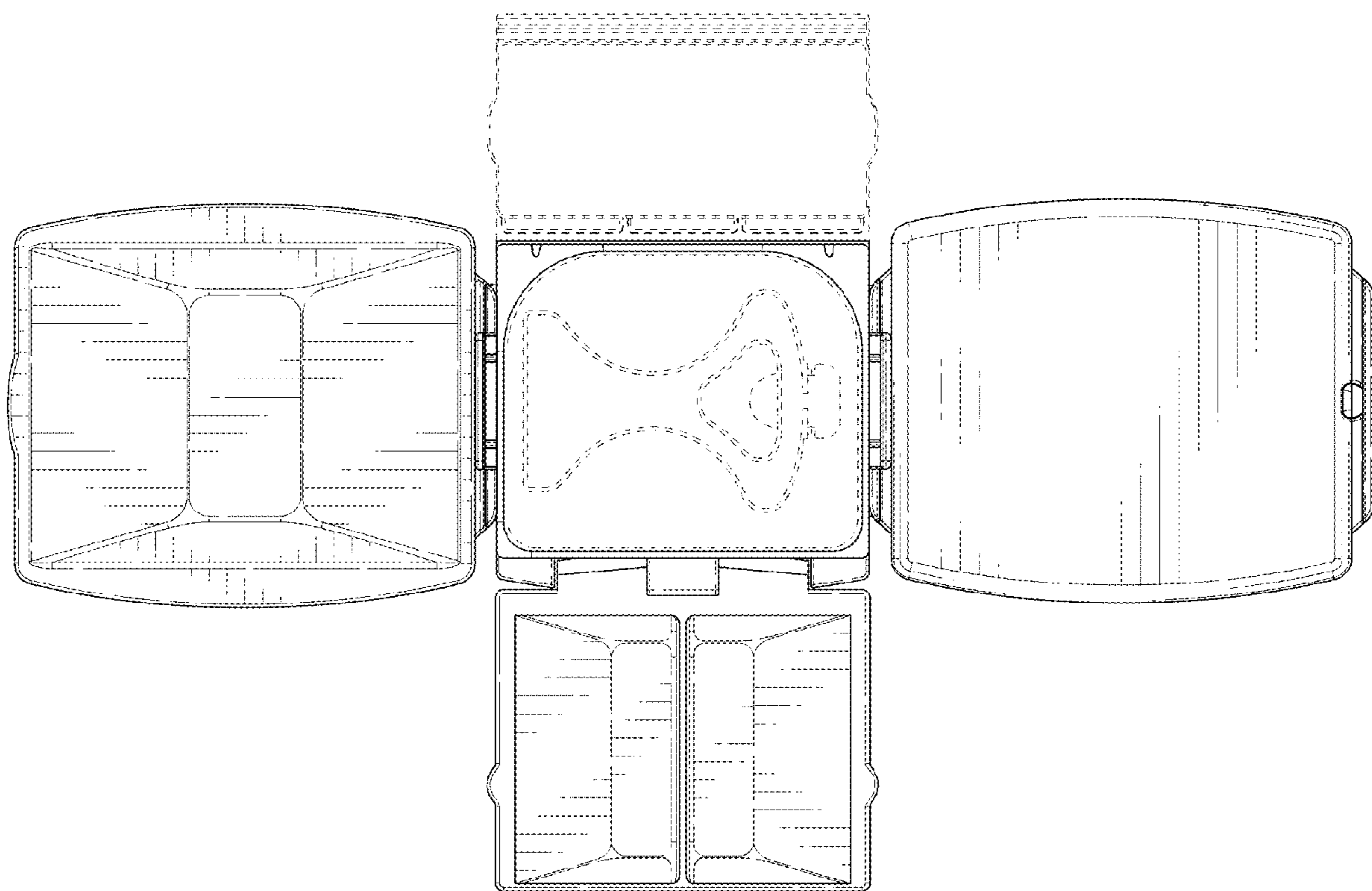


FIG. 16