



US00D972633S

(12) **United States Design Patent** (10) **Patent No.:** **US D972,633 S**  
**Ogi** (45) **Date of Patent:** **\*\* Dec. 13, 2022**

(54) **PRINTER**

FOREIGN PATENT DOCUMENTS

(71) Applicant: **FUJIFILM Corporation**, Tokyo (JP)  
(72) Inventor: **Kazuyuki Ogi**, Tokyo (JP)  
(73) Assignee: **FUJIFILM CORPORATION**, Tokyo (JP)

JP 1149778 8/2002  
JP 1596909 2/2018  
KR 30-0981413 S 11/2018  
KR 300981413.0000 \* 11/2018

(\*\*) Term: **15 Years**

OTHER PUBLICATIONS

(21) Appl. No.: **29/755,962**

Xerox VersaLink Color Laser Printer (C8000) p. 6 reviews 2019\_ Staples.com-29755962 and 29755964-https://www.staples.com/xerox-versalink-color-laser-printer-c8000/product\_24377762 (Year: 2019).\*

(22) Filed: **Oct. 23, 2020**

\* cited by examiner

(51) **LOC (13) Cl.** ..... **14-02**

(52) **U.S. Cl.**  
USPC ..... **D18/50**

*Primary Examiner* — Jennifer L Rempfer  
*Assistant Examiner* — Danielle Nichole Bowly  
(74) *Attorney, Agent, or Firm* — McGinn I.P. Law Group, PLLC.

(58) **Field of Classification Search**  
USPC ..... D14/300, 301, 302, 303, 307, 308, 314, D14/321, 365, 445, 446; D18/4.1, 4.4, D18/4.6, 34.1, 6, 7, 14, 19, 34.3, 34.7, D18/34.8, 34.9, 36, 37, 38, 39, 46, 47, D18/48, 49, 50, 53, 54, 55, 56  
CPC .... H04N 1/00278; B26D 1/045; B26D 1/065; B41J 15/044; B41J 2/1752; B41J 29/02; G06F 3/02

See application file for complete search history.

(57) **CLAIM**

The ornamental design for printer, as shown and described.

(56) **References Cited**

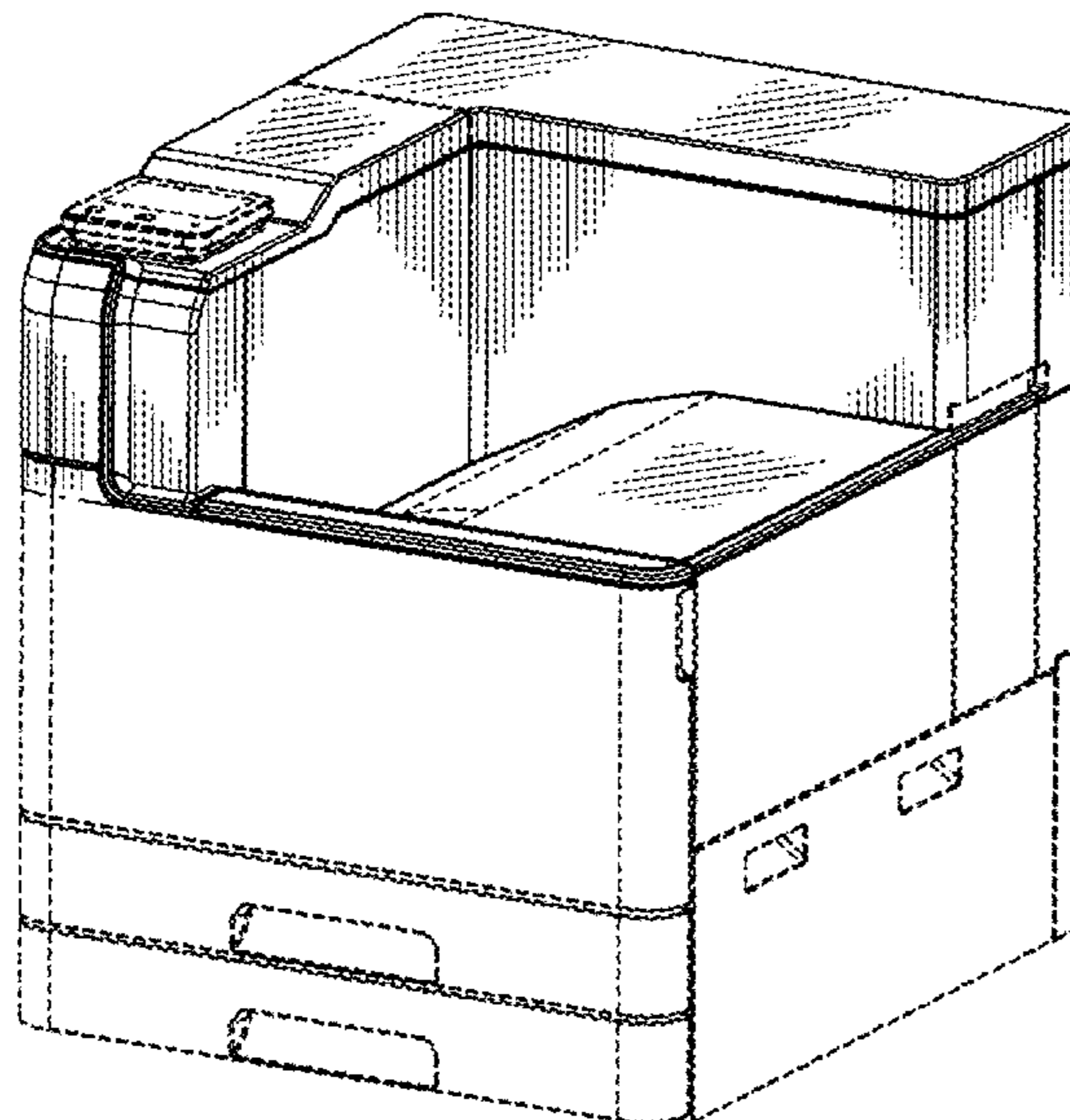
**DESCRIPTION**

U.S. PATENT DOCUMENTS

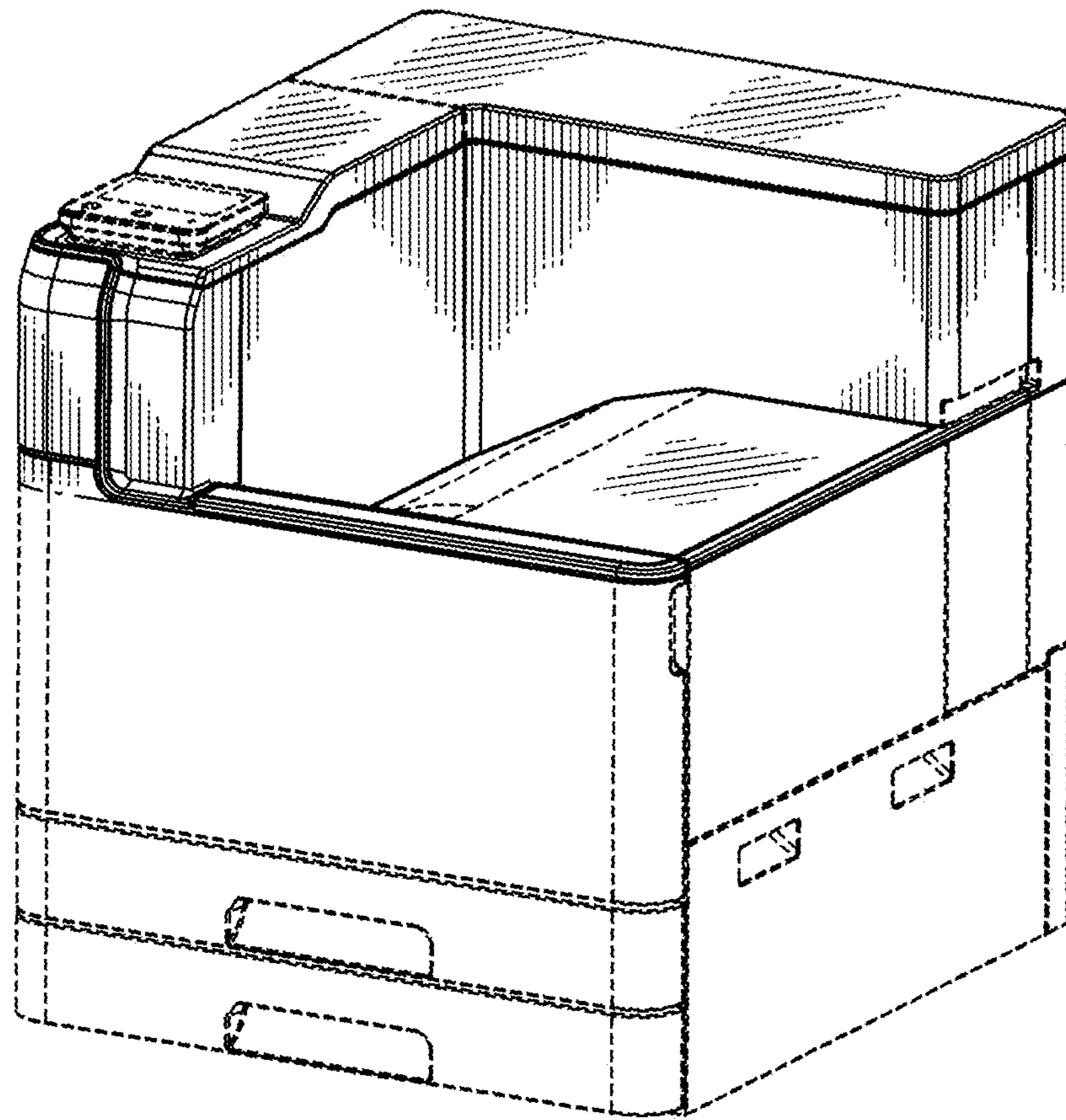
D375,974 S \* 11/1996 Kogoh ..... D18/53  
D442,217 S \* 5/2001 Hatanaka ..... D18/55  
D452,705 S \* 1/2002 Takenouchi ..... D18/55  
D634,361 S \* 3/2011 Terenzio ..... D18/55  
D699,784 S \* 2/2014 Penke ..... D18/55  
D742,450 S \* 11/2015 Larson ..... D18/50  
D783,712 S \* 4/2017 Kim ..... D18/55  
D828,443 S \* 9/2018 Brown ..... D18/53  
D834,641 S \* 11/2018 Brown ..... D18/50  
D849,836 S \* 5/2019 Han ..... D18/56  
D874,562 S \* 2/2020 Shirane ..... D18/39  
2020/0096932 A1 \* 3/2020 Kobayashi ..... G03G 15/0865

FIG. 1 is a perspective view of a printer showing my new design;  
FIG. 2 is a front view of the printer;  
FIG. 3 is a rear view of the printer;  
FIG. 4 is a right view of the printer;  
FIG. 5 is a left view of the printer;  
FIG. 6 is a plan view of the printer; and,  
FIG. 7 is a bottom view of the printer.  
The part represented by the solid line is the part that is being applied for a design registration as a partial design. The broken lines shown in the drawings represent portions of the printer that form no part of the claimed design.

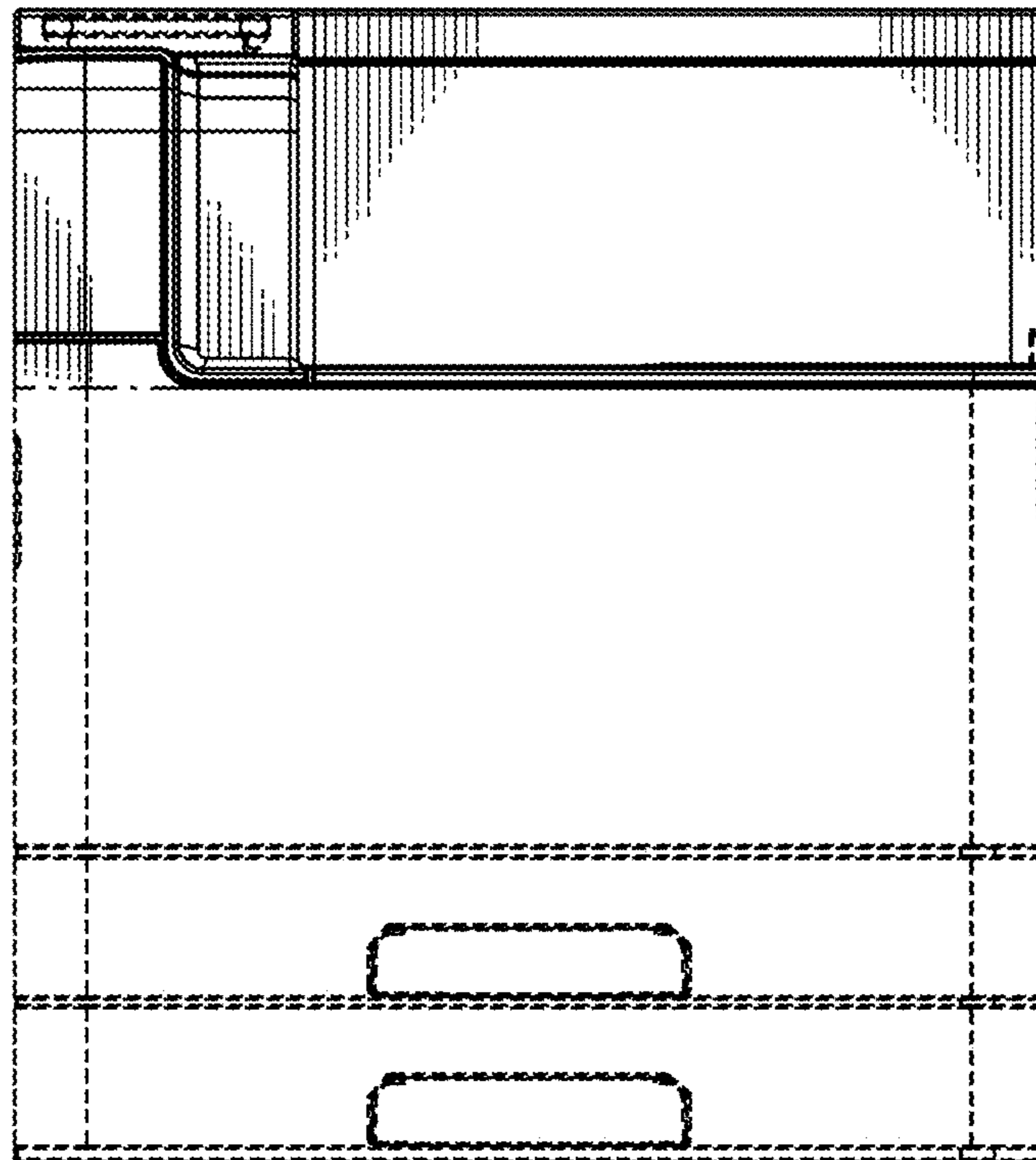
**1 Claim, 7 Drawing Sheets**



**FIG. 1**



**FIG. 2**



**FIG. 3**

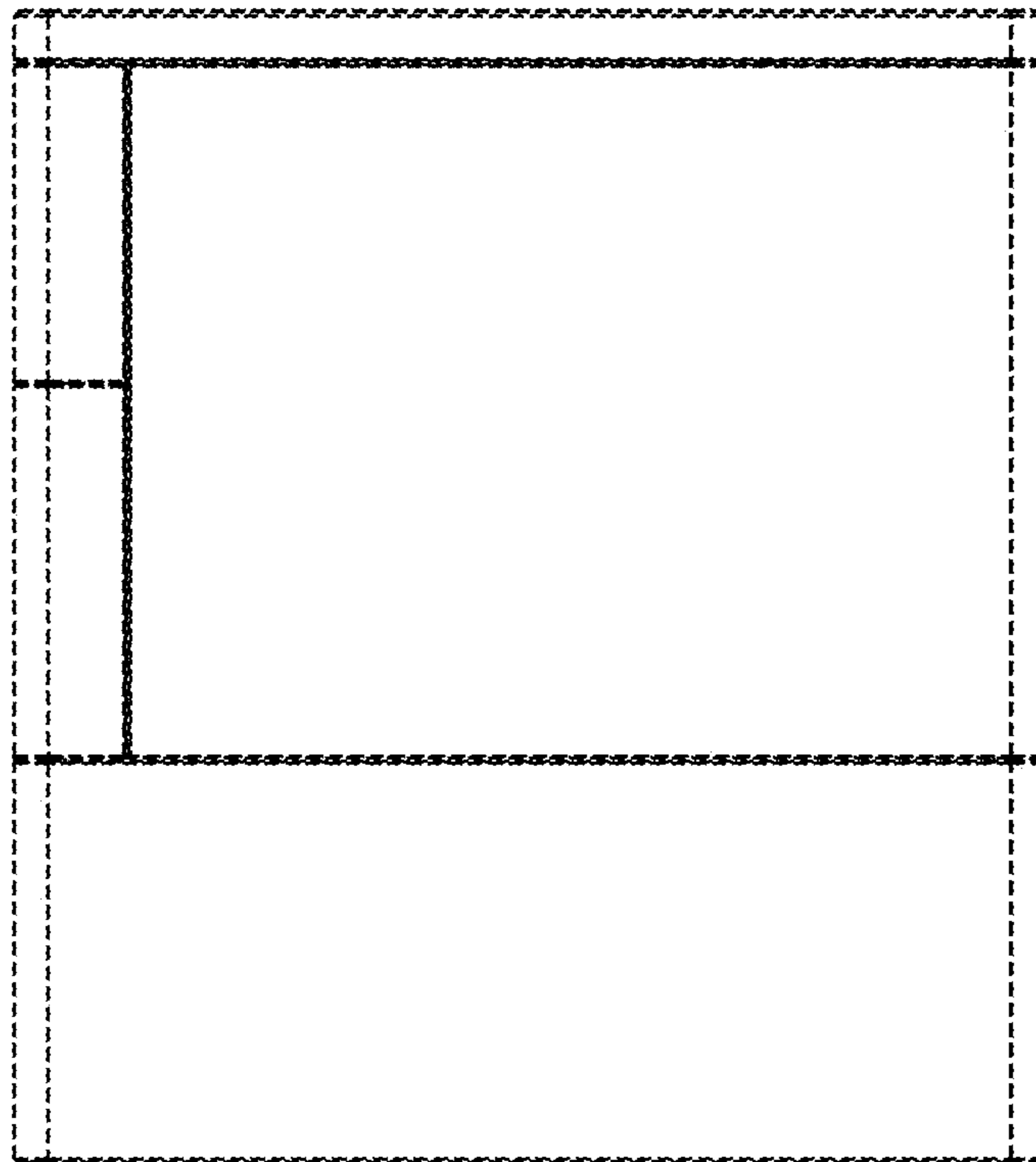
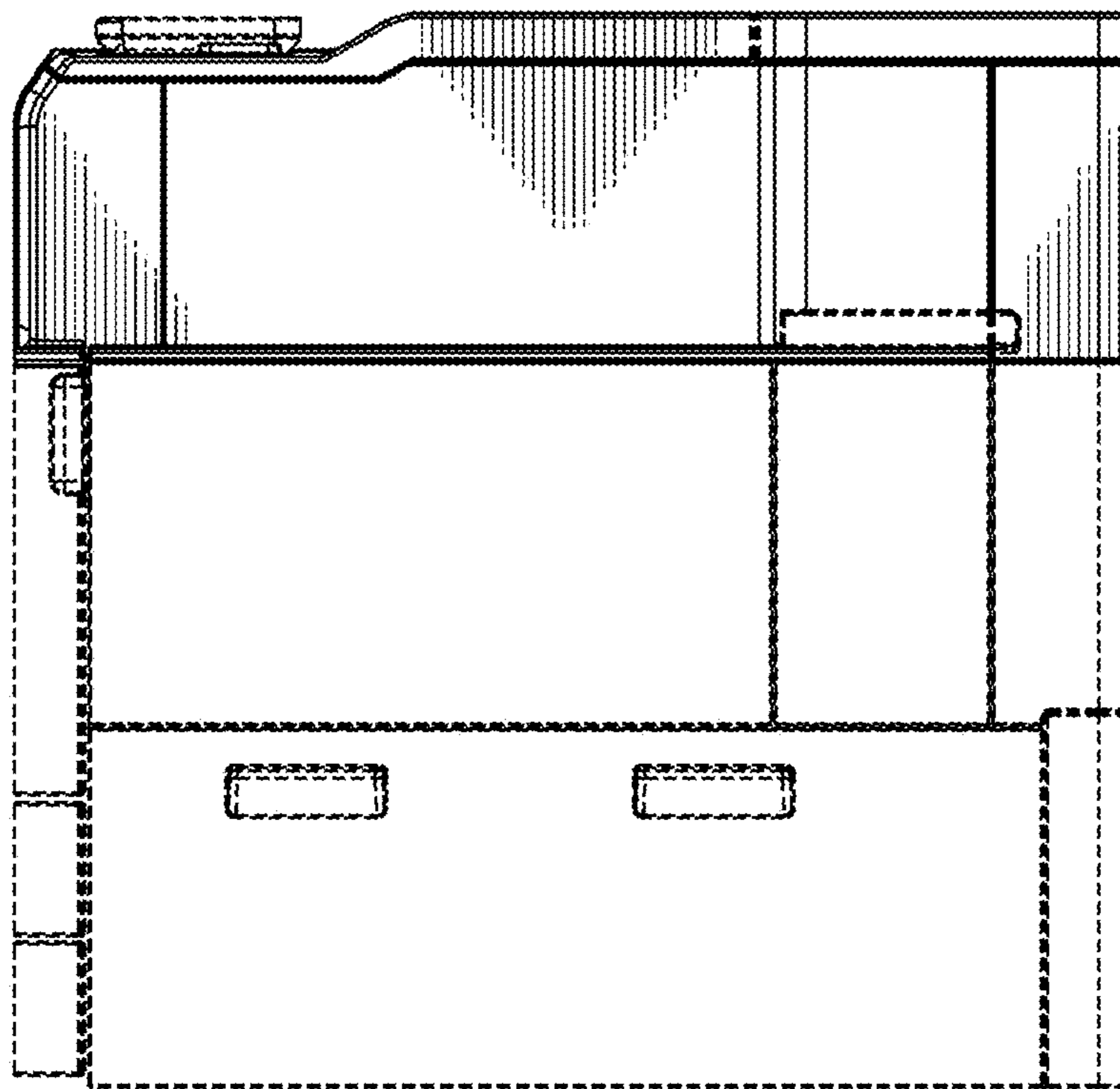
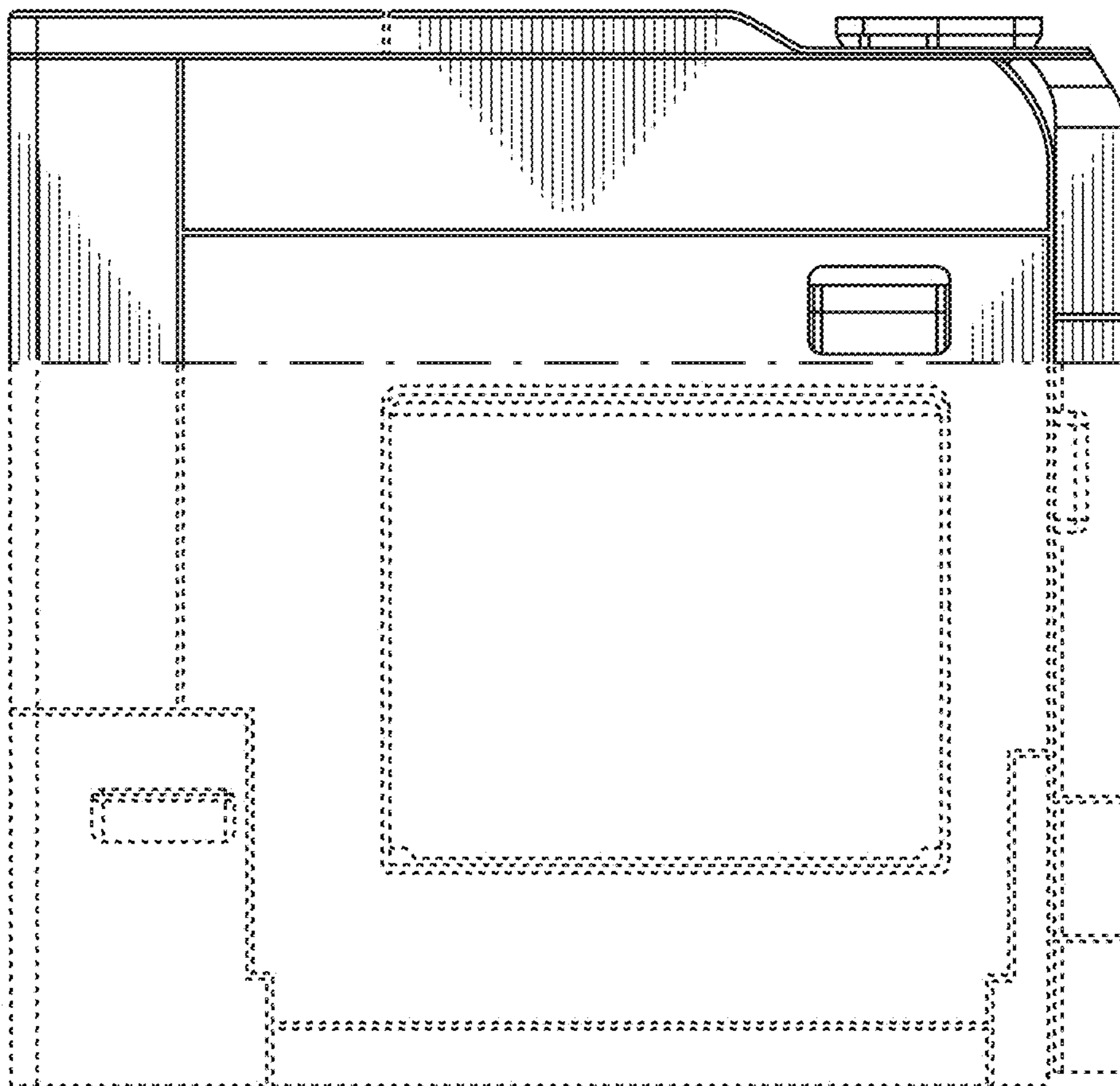


FIG. 4

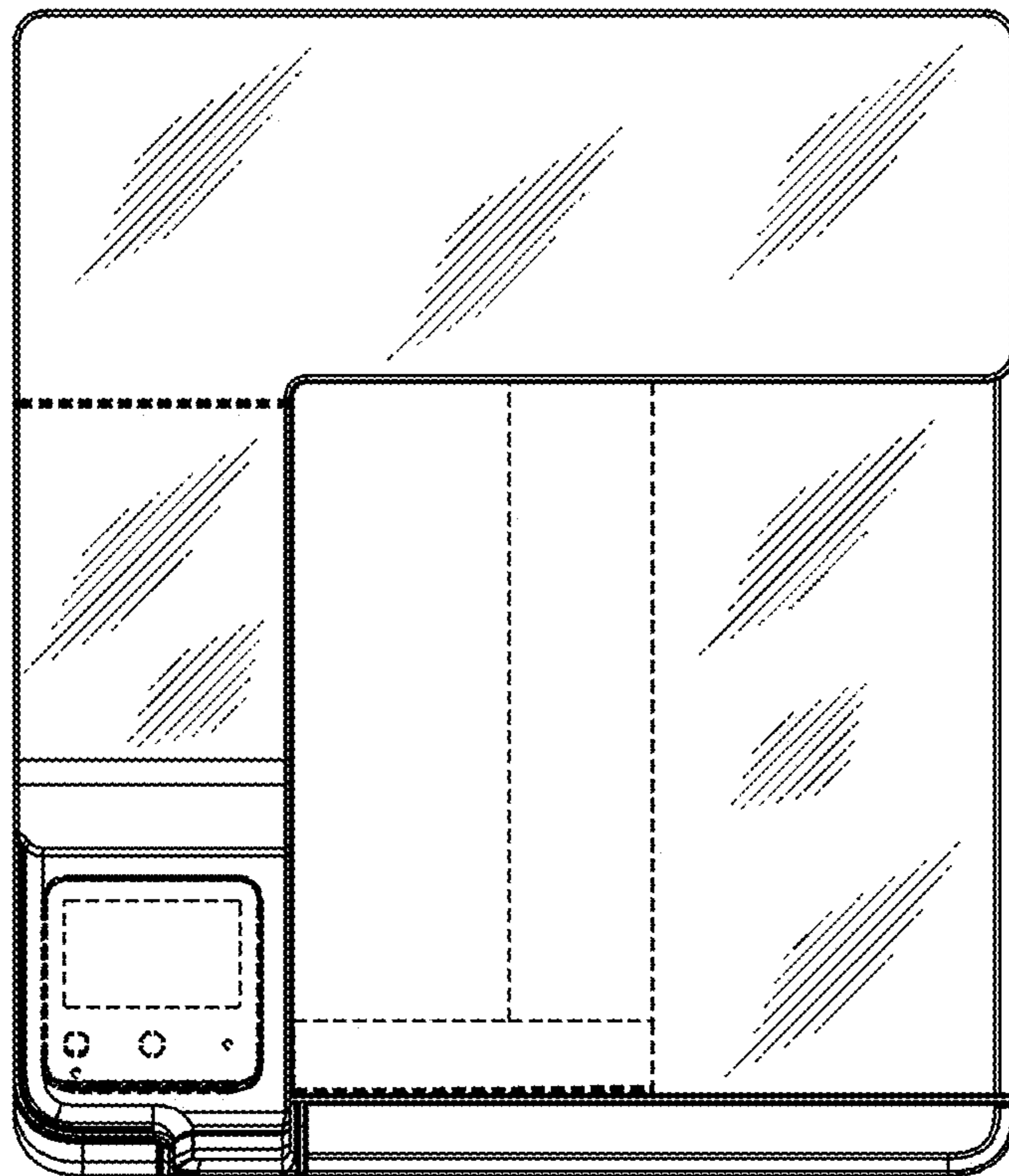




**FIG. 5**



**FIG. 6**



**FIG. 7**

