



US00D972631S

(12) **United States Design Patent** (10) **Patent No.:** **US D972,631 S**
Luo (45) **Date of Patent:** **** Dec. 13, 2022**

(54) **MUSIC BOX**

(71) Applicant: **Jing Luo**, Shantou (CN)

(72) Inventor: **Jing Luo**, Shantou (CN)

(**) Term: **15 Years**

(21) Appl. No.: **29/823,506**

(22) Filed: **Jan. 18, 2022**

(51) **LOC (13) Cl.** **17-05**

(52) **U.S. Cl.**
USPC **D17/24**

(58) **Field of Classification Search**
USPC D17/9, 13, 20, 24, 99; D21/405;
D14/158, 172, 203.1, 210, 215, 216, 217
CPC G10D 99/00; G10D 13/11; G10H 1/0033;
G10H 1/0066; G10H 1/0575; G10F 1/06
See application file for complete search history.

(56) **References Cited**

U.S. PATENT DOCUMENTS

- 6,464,602 B1 * 10/2002 Rottger A63B 43/00
463/9
- D515,556 S * 2/2006 Allen D14/215
- D595,734 S * 7/2009 Son D14/496

- D637,224 S 5/2011 Smith
- D709,049 S * 7/2014 Kim D14/203.1
- D766,214 S * 9/2016 Mackiewicz D14/216
- D766,215 S * 9/2016 Mackiewicz D14/216
- D801,306 S * 10/2017 Czaniecki D14/215
- D801,308 S * 10/2017 Ahn D14/216
- D806,711 S * 1/2018 Sakaguchi D14/218
- D859,364 S * 9/2019 Chalabi D14/216
- D862,417 S * 10/2019 Chalabi D14/216
- D884,614 S * 5/2020 Natsume D13/108
- D888,688 S * 6/2020 Xie D14/216

* cited by examiner

Primary Examiner — R. Johnson

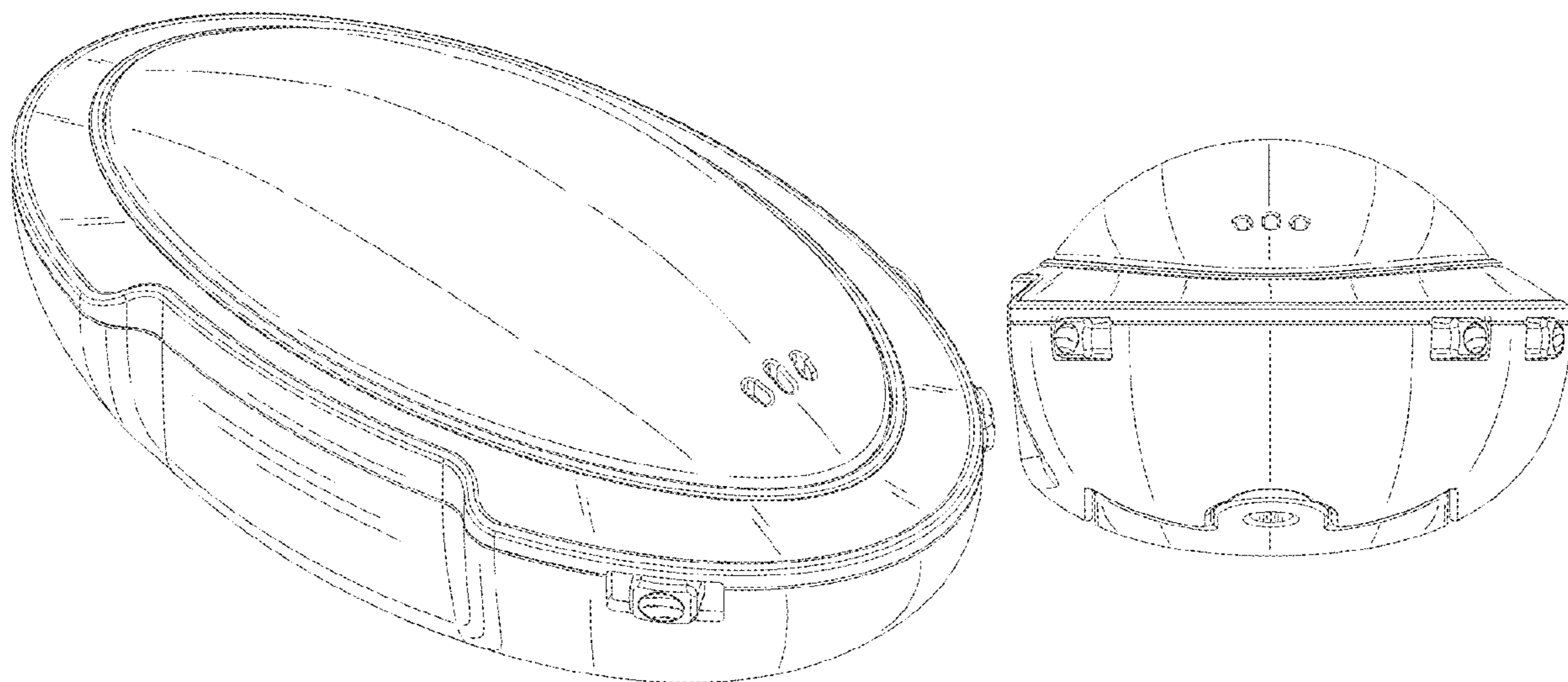
(57) **CLAIM**

The ornamental design for a music box, as shown and described.

DESCRIPTION

FIG. 1 is a front, top and left side perspective view of a music box showing my new design;
FIG. 2 is a front view thereof;
FIG. 3 is a rear view thereof;
FIG. 4 is a left side view thereof;
FIG. 5 is a right side view thereof;
FIG. 6 is a top view thereof; and,
FIG. 7 is a bottom view thereof.

1 Claim, 7 Drawing Sheets



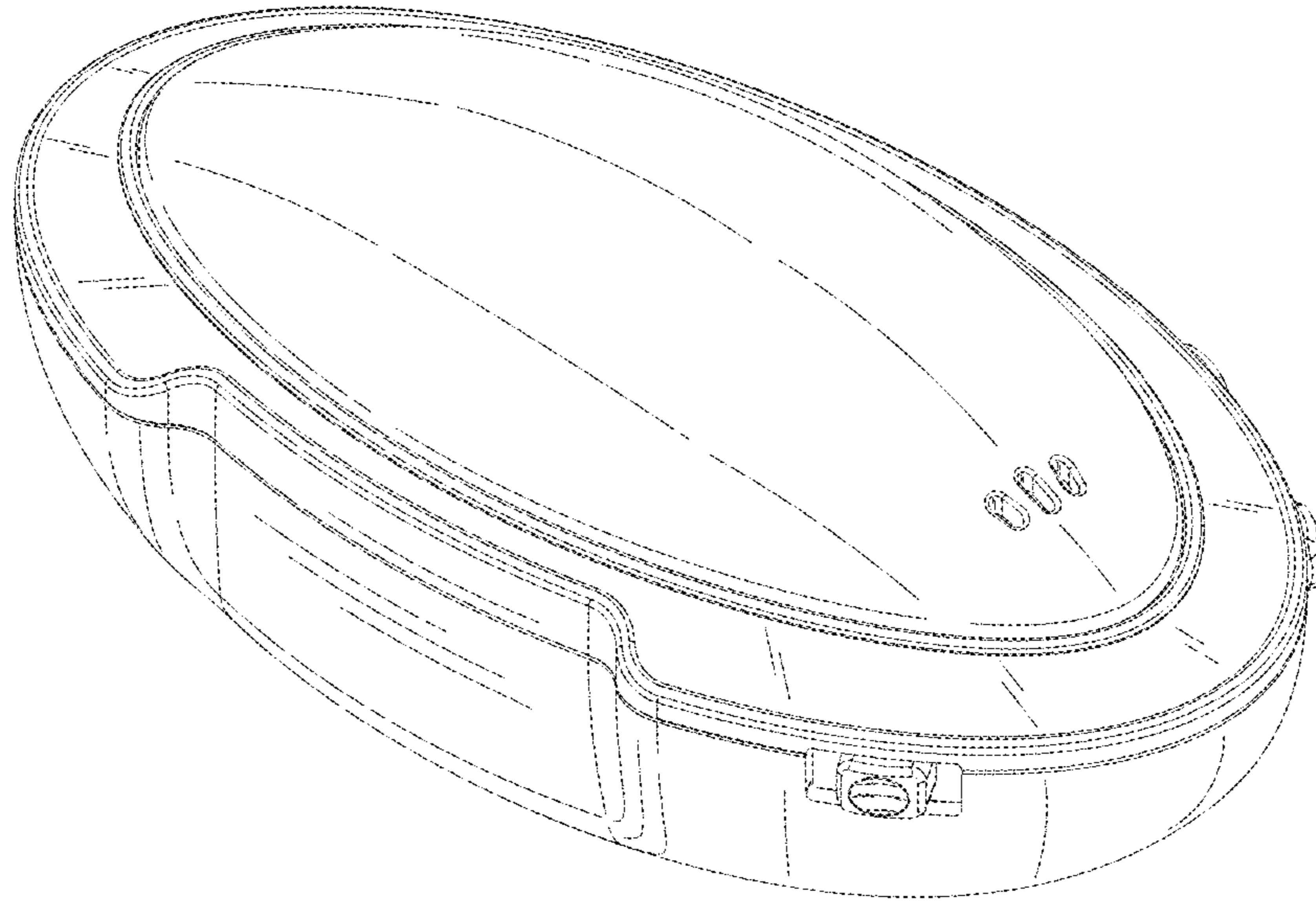


FIG. 1

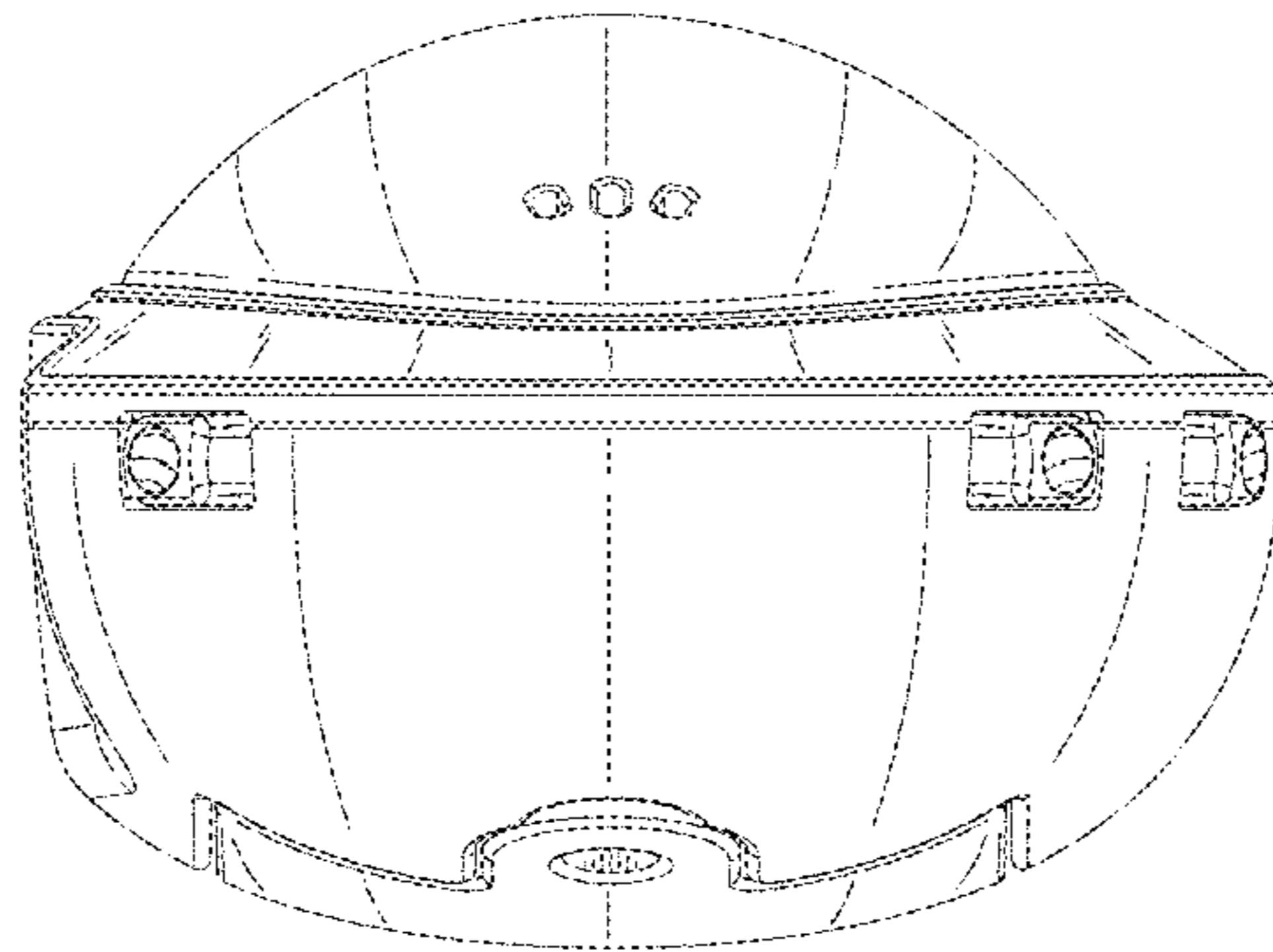


FIG. 2

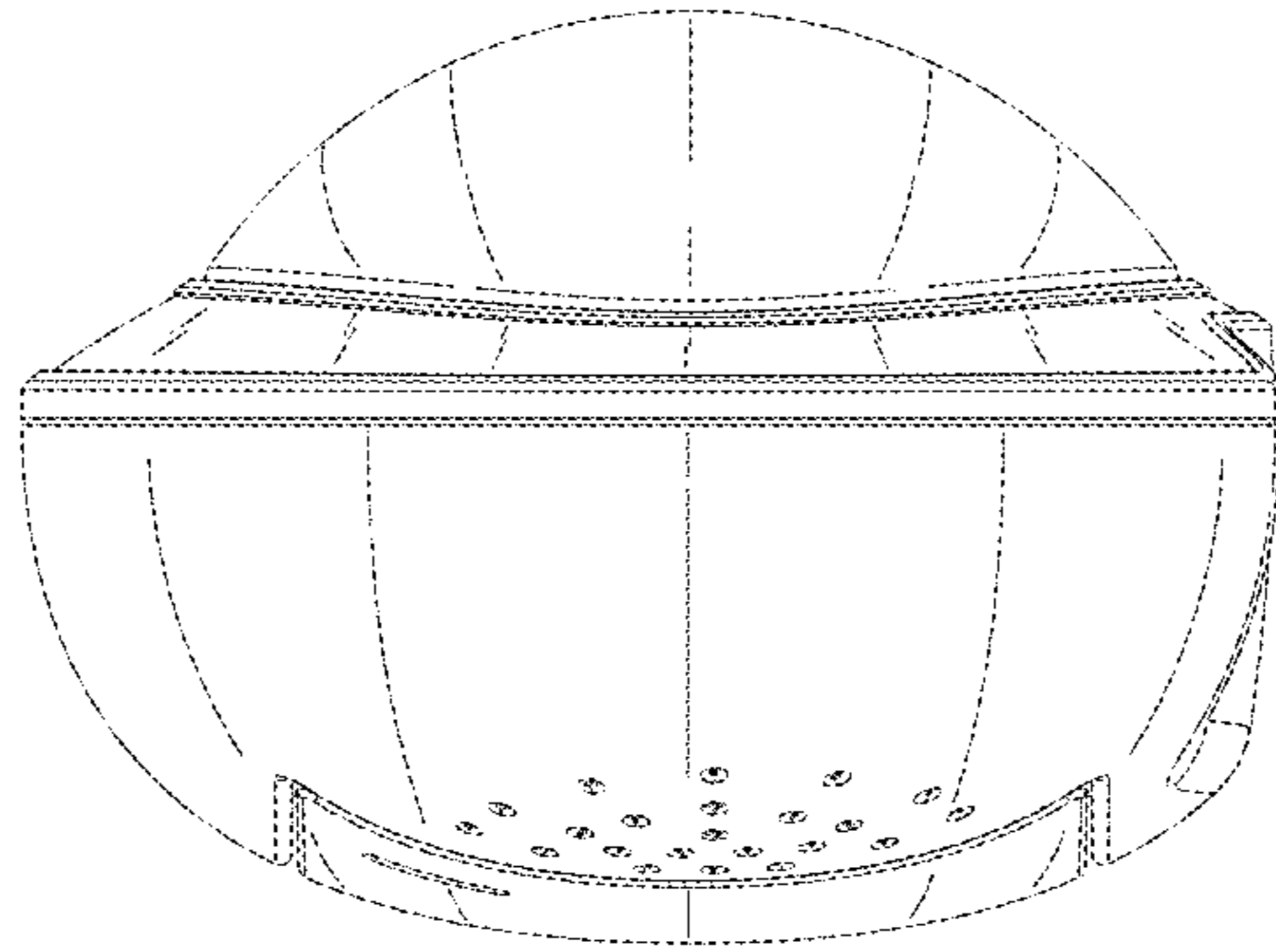


FIG. 3

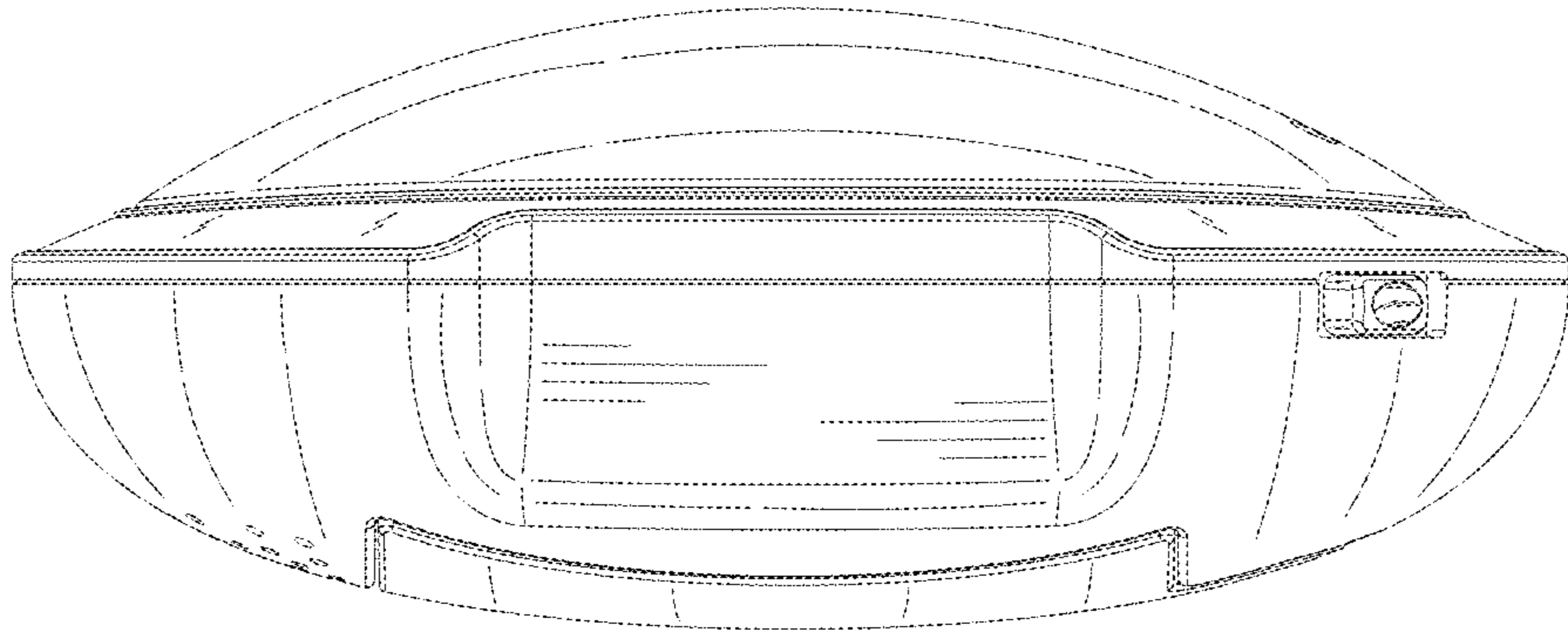


FIG. 4

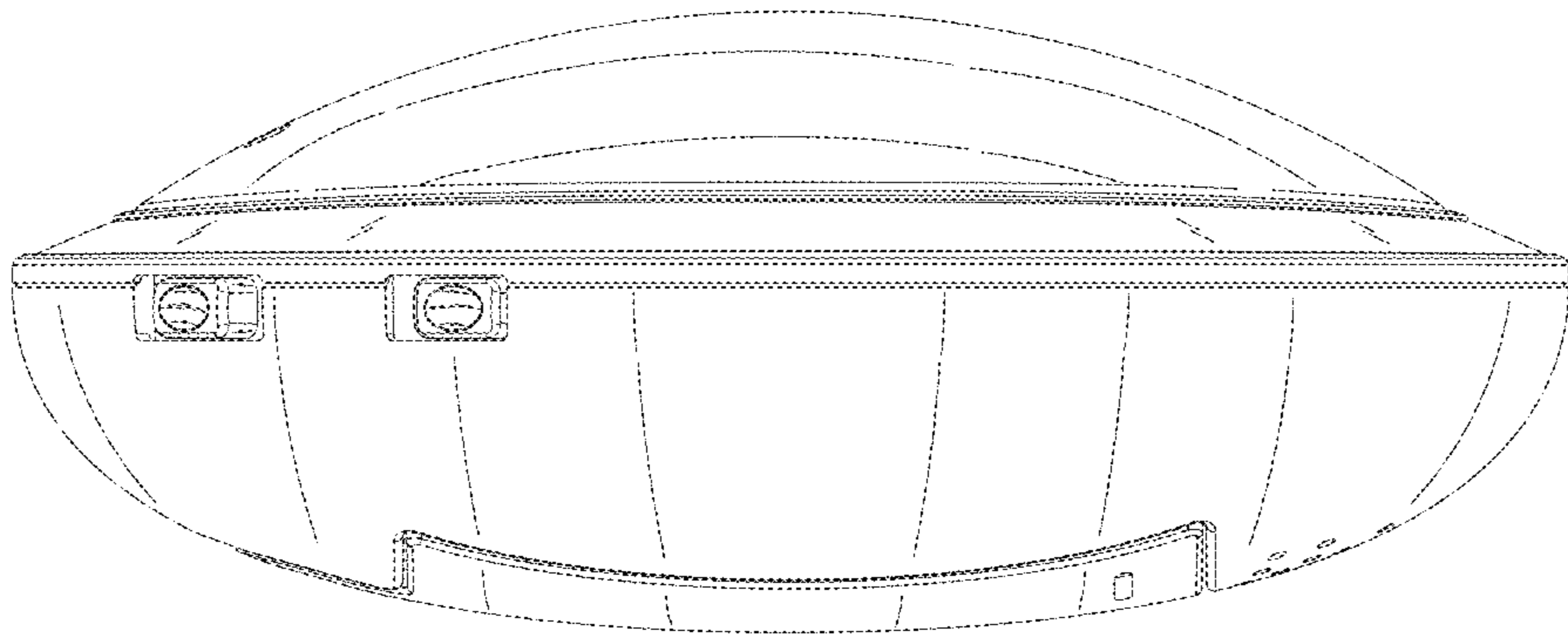


FIG. 5

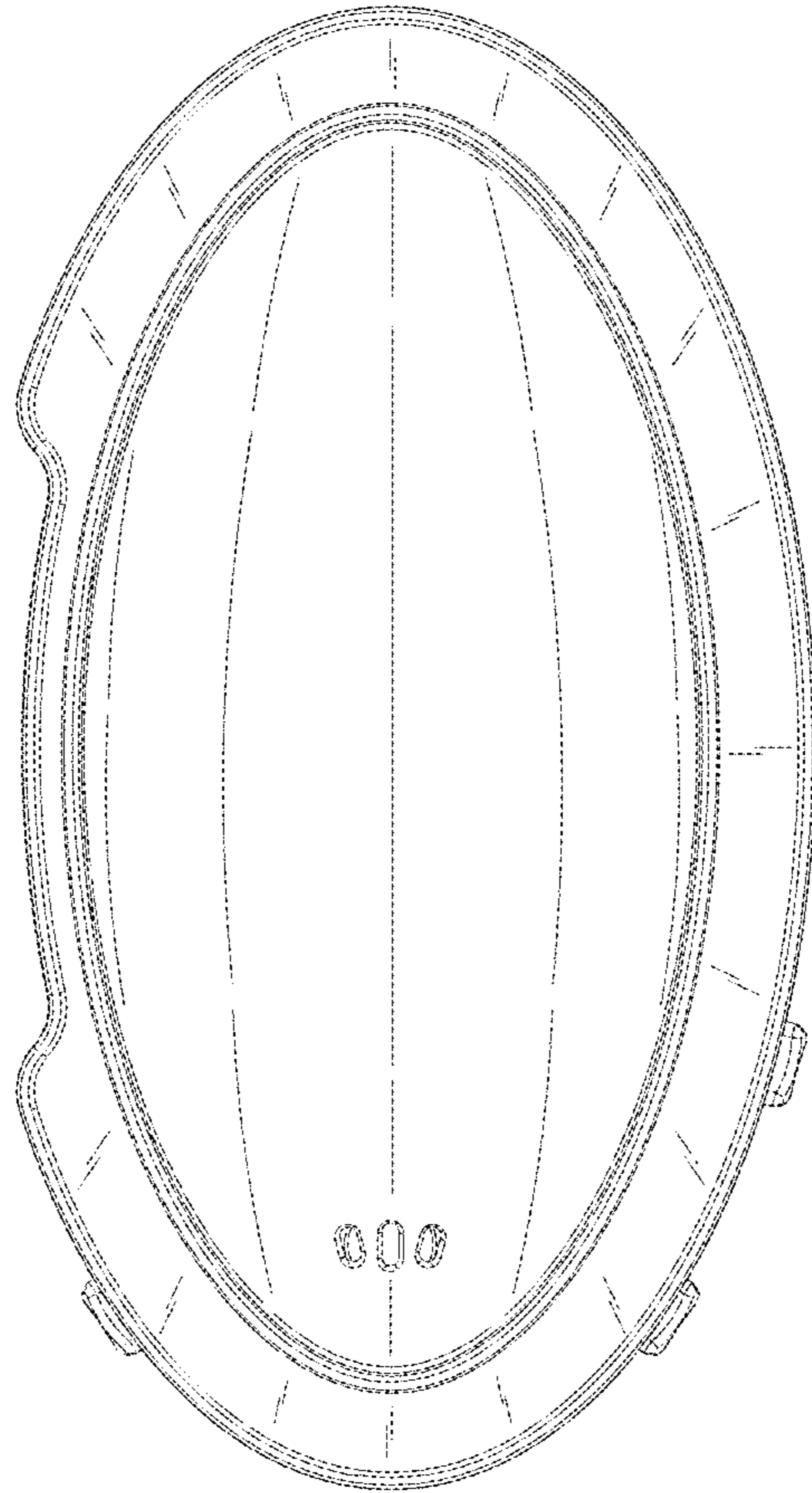


FIG. 6

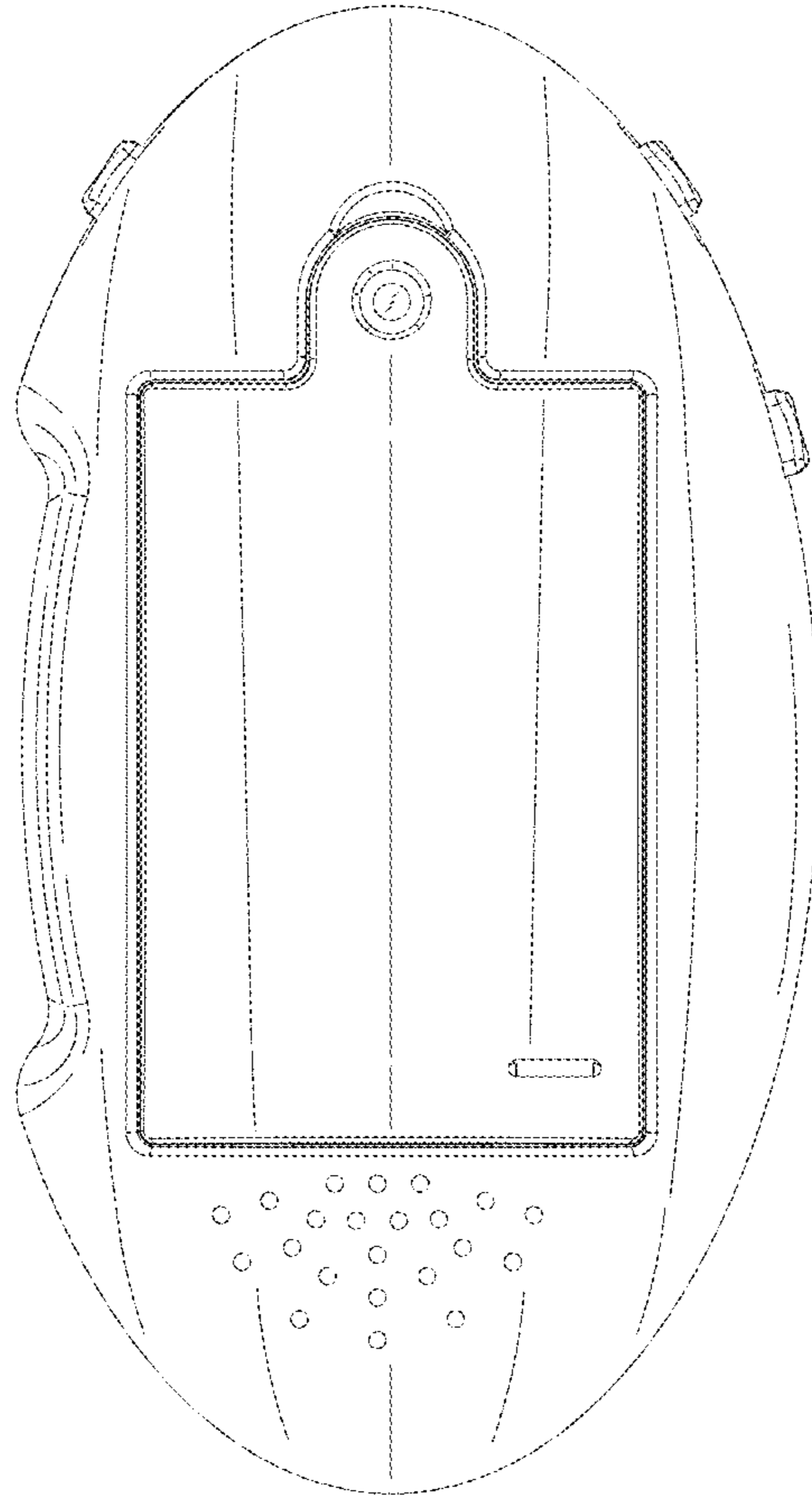


FIG. 7