



US00D972624S

(12) **United States Design Patent** (10) **Patent No.:** **US D972,624 S**
Li (45) **Date of Patent:** **** Dec. 13, 2022**

(54) **SELFIE STICK**

FOREIGN PATENT DOCUMENTS

(71) Applicant: **SHENZHEN LEADERMENT TECHNOLOGY CO., LTD.**, Shenzhen (CN)

CN 300710506 * 11/2007
CN 303933782 * 11/2016

(Continued)

(72) Inventor: **Chunbin Li**, Shenzhen (CN)

OTHER PUBLICATIONS

(**) Term: **15 Years**

Magnus DeskGrip Mini Smartphone Tripod, product availability date unknown [online], no video/pictured review [online], [site visited Apr. 27, 2022]:URL:<https://www.bhphotovideo.com/c/product/1488055-REG/magnus_mst_350g_mini_smartphone_tripod_gray.html> (Year: 2022).*

(21) Appl. No.: **29/743,314**

(22) Filed: **Jul. 21, 2020**

(Continued)

(51) **LOC (13) Cl.** **16-05**

(52) **U.S. Cl.**

USPC **D16/243**; D16/244

(58) **Field of Classification Search**

USPC D16/219, 237-250; D8/354, 355, 363, D8/373, 382-383, 394-396; D14/224, D14/229, 238, 251, 253, 447, 451, 457; D22/100, 108, 109, 110, 111, 113, 115, D22/116, 199; D26/118; D21/567, 573
CPC F16M 11/06-10; F16M 11/14; G02B 7/00-002; G03B 17/561-566; H04N 5/2253-2254; F41A 23/10; F41A 21/16; F41A 21/22; F41C 23/00; F41C 7/00; F41J 1/10; F41G 1/30

See application file for complete search history.

Primary Examiner — Bao-Yen T Nguyen
Assistant Examiner — Loryn K. Leblanc

(57) **CLAIM**

The ornamental design for a selfie stick, as shown and described.

DESCRIPTION

FIG. 1 is a front, right side, top perspective view of a selfie stick showing my new design;
FIG. 2 is a rear, left side, bottom perspective view thereof;
FIG. 3 is a front elevational view thereof;
FIG. 4 is a rear elevational view thereof;
FIG. 5 is a left side elevational view thereof;
FIG. 6 is a right side elevational view thereof;
FIG. 7 is a top plan view thereof; and
FIG. 8 is a bottom plan view thereof; and,
FIG. 9 is a front, right side, top perspective view thereof when the legs of the selfie stick are disposed at their collapsed positions.
The broken lines depict portions of the selfie stick that form no part of the claimed design.

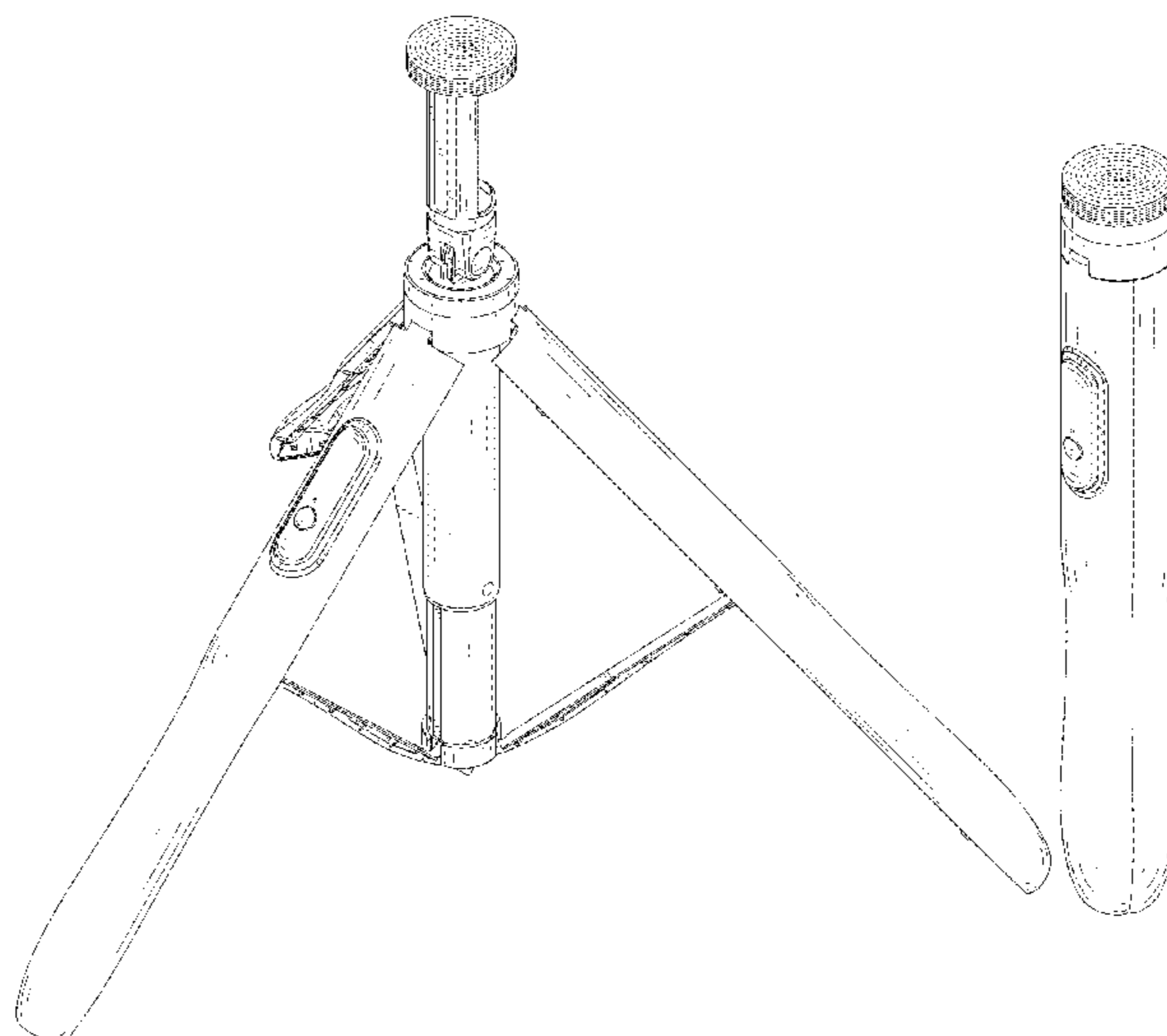
(56) **References Cited**

U.S. PATENT DOCUMENTS

D765,650 S * 9/2016 Huang D16/244
D778,338 S * 2/2017 Muhlenkamp, IV D16/243
D799,465 S * 10/2017 Sukphist D14/253
D800,206 S * 10/2017 Moon D16/244
D819,118 S * 5/2018 Muhlenkamp, IV D16/243
D822,092 S * 7/2018 Bergman D16/244
D840,465 S * 2/2019 Chun D16/244
D852,872 S * 7/2019 Fang D16/244
D852,873 S * 7/2019 Fang D16/244
D852,874 S * 7/2019 Bergman D16/243
D881,263 S * 4/2020 Xia D16/245

(Continued)

1 Claim, 9 Drawing Sheets



(56)

References Cited

U.S. PATENT DOCUMENTS

D882,672	S	*	4/2020	Xia	D16/243
D883,369	S	*	5/2020	Xia	D16/243
D900,200	S	*	10/2020	Shan	D16/237
D907,687	S	*	1/2021	Fang	D16/244
D911,425	S	*	2/2021	Shan	D16/237
D911,427	S	*	2/2021	Silva Casas	D16/244
D921,096	S	*	6/2021	Chen	D16/244
D923,689	S	*	6/2021	Xia	D16/243
2021/0344830	A1	*	11/2021	Shan	H04M 1/72412

FOREIGN PATENT DOCUMENTS

CN	304375647	*	11/2017
CN	304408331	*	12/2017
CN	304657978	*	6/2018
CN	304747570	*	7/2018
CN	304763298	*	8/2018
CN	304913348	*	11/2018
CN	304919923	*	11/2018
CN	305041962	*	2/2019
CN	305049549	*	2/2019
CN	305136243	*	4/2019
CN	305671231	*	3/2020
CN	305689281	*	4/2020
CN	305716514	*	4/2020
CN	306413423	*	3/2021
CN	306551518	*	5/2021
CN	306761811	*	8/2021
CN	306795802	*	8/2021
CN	306973300	*	11/2021
CN	307235608	*	4/2022
EM	001361778-0010	*	8/2012
EM	003052455-0001	*	12/2015
EM	007329123-0001	*	12/2019
JP	D1071927	*	5/2000
KR	300868259.0000	*	8/2016

OTHER PUBLICATIONS

IK Multimedia iKlip Grip Pro 4-in-1 Smartphone Stand, product availability date unknown [online], no video/pictured review [online],

[site visited Apr. 27, 2022]:URL:<https://www.bhphotovideo.com/c/product/1571151-REG/ik_multimedia_ip_iklip_grippro_in_iklip_grip_pro_4_in_1.html> (Year: 2022).*

Trigyn Lumin Universal Smartphone Tripod, product availability date unknown [online], no video/pictured review [online], [site visited Apr. 27, 2022]:URL:<https://www.bhphotovideo.com/c/product/1659538-REG/trigyn_tg_la_ust_01_universal_smartphone_tripod.html> (Year: 2022).*

Ulanzi MT-19 Flexible Smartphone Tripod, product availability date unknown [online], No. video/pictured review [online], [site visited Apr. 27, 2022]:URL:<https://www.bhphotovideo.com/c/product/1643088-REG/ulanzi_2211_mt_19_flexible_mini_tripod.html> (Year: 2022).*

Joby TelePod Mobile, product availability date unknown [online], no video/pictured review [online], [site visited Apr. 27, 2022]:URL:<https://www.bhphotovideo.com/c/product/1432616-REG/joby_jb01550_telepod_mobile.html> (Year: 2022).*

Simorr Vigor VK-25 Vlog Tripod Kit with Smartphone Holder, product availability date unknown [online], no video/pictured review [online], [site visited Apr. 27, 2022]:URL:<https://www.bhphotovideo.com/c/product/1698891-REG/simorr_3827_vigor_vk_25_vlog_kit.html> (Year: 2022).*

SmallRig Charging Tripod with Smartphone Holder, product availability date unknown [online], no video/pictured review [online], [site visited Apr. 27, 2022]:URL:<https://www.bhphotovideo.com/c/product/1665657-REG/smallrig_3541_charging_tripod.html> (Year: 2022).*

Sirui Table Top Tripod Kit, product availability date unknown [online], no video/pictured review [online], [site visited Apr. 27, 2022]:URL:<https://www.bhphotovideo.com/c/product/1436836-REG/sirui_sutsh01wx_mobile_tripod_with_shutter.html> (Year: 2022).*

Bower 6-in-1 Professional 36" Tripod, product availability date unknown [online], pictured review Jan. 4, 2022 [online], [site visited Apr. 27, 2022]:URL:<<https://www.bestbuy.com/site/bower-6-in-1-professional-36-tripod-blue/6471707.p?skuId=6471707>> (Year: 2022).*

Remote Control Selfie Stick Tripod Compatible With Bluetooth, product availability date unknown [online], pictured review May 12, 2021 [online], [site visited Apr. 27, 2022]:URL:<<https://us.shein.com/Remote-Control-Selfie-Stick-Tripod-Compatible-With-Bluetooth-p-2594549-cat-2489.html>> (Year: 2021).*

* cited by examiner

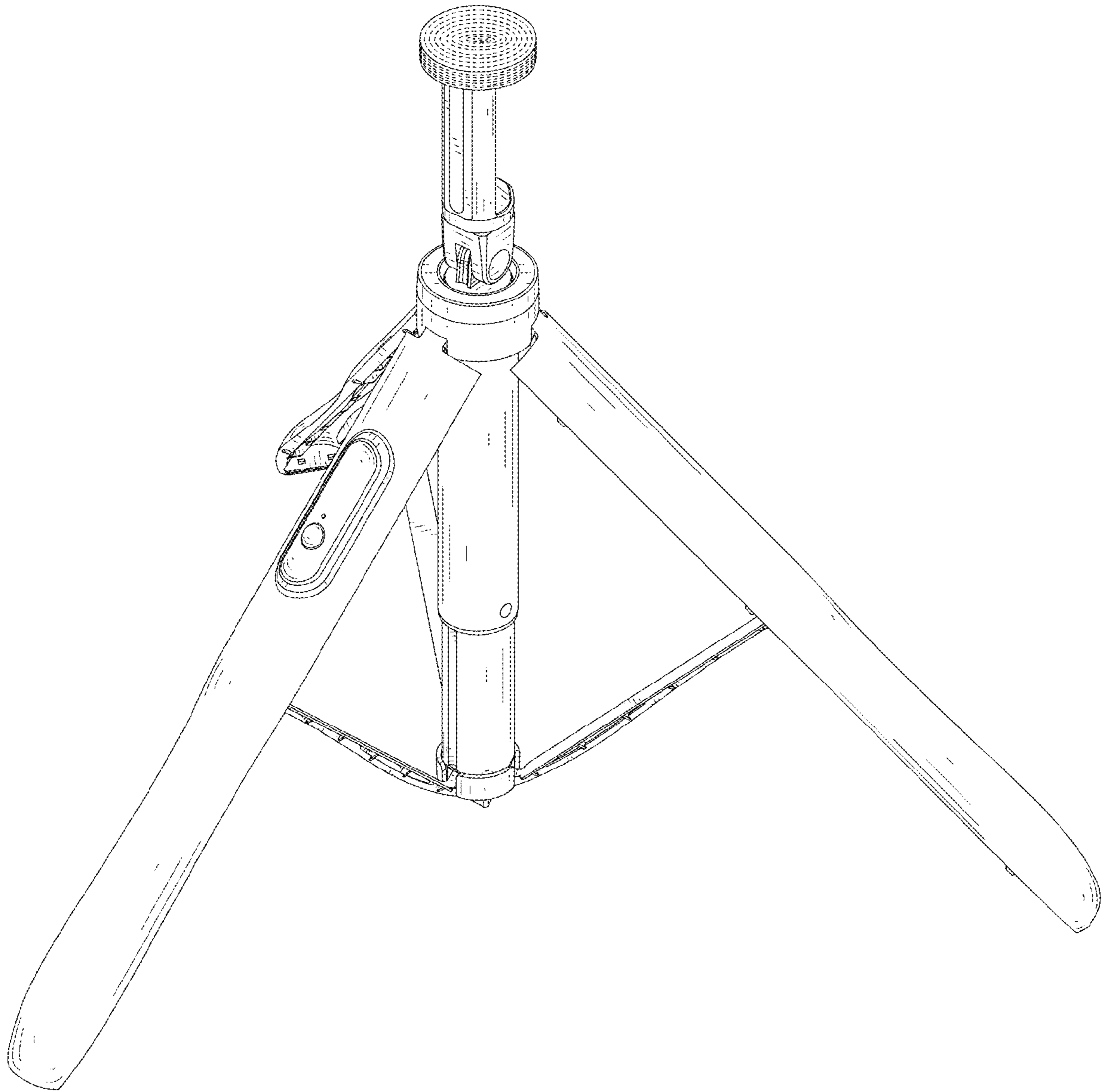


FIG. 1

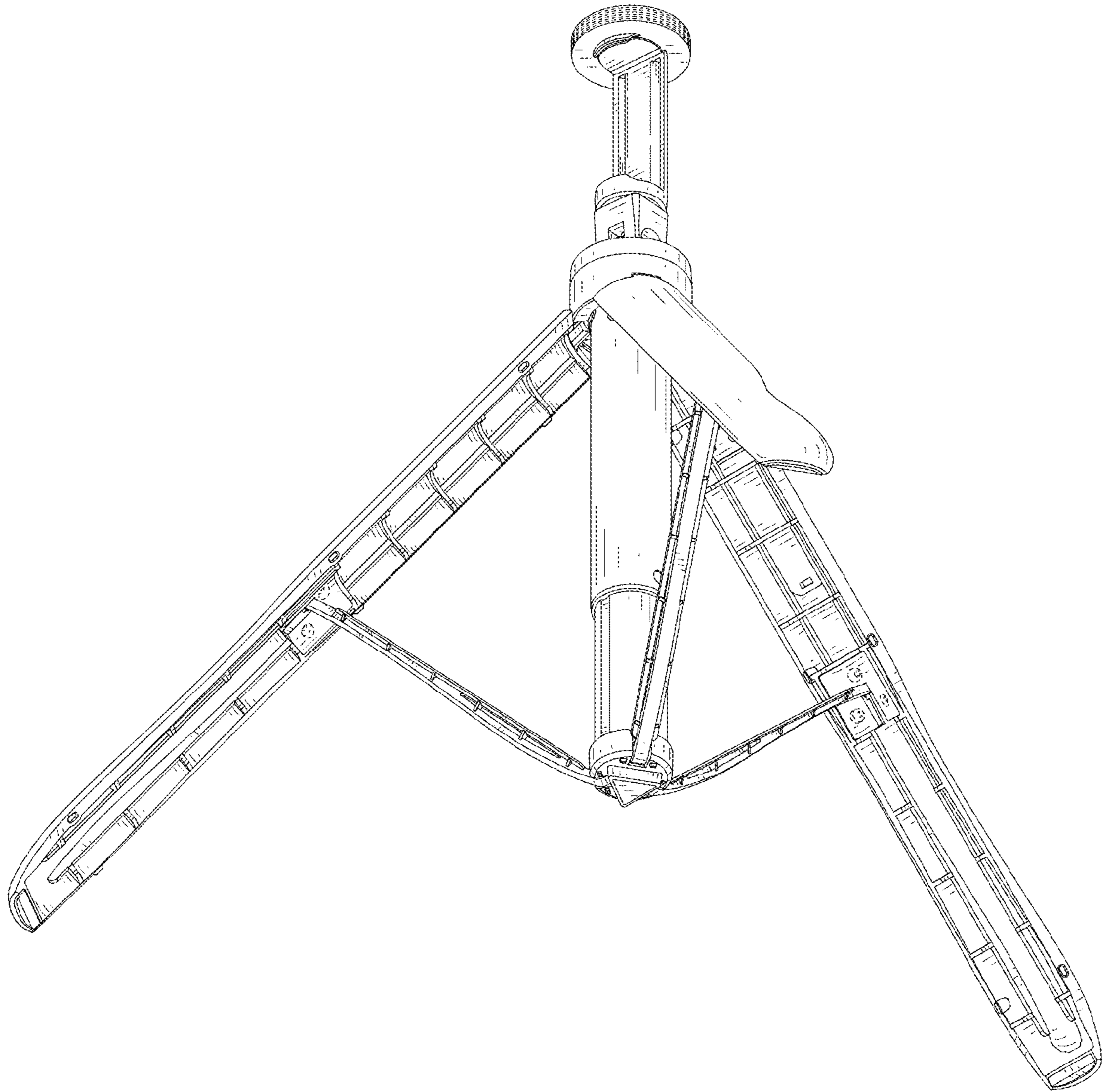


FIG. 2

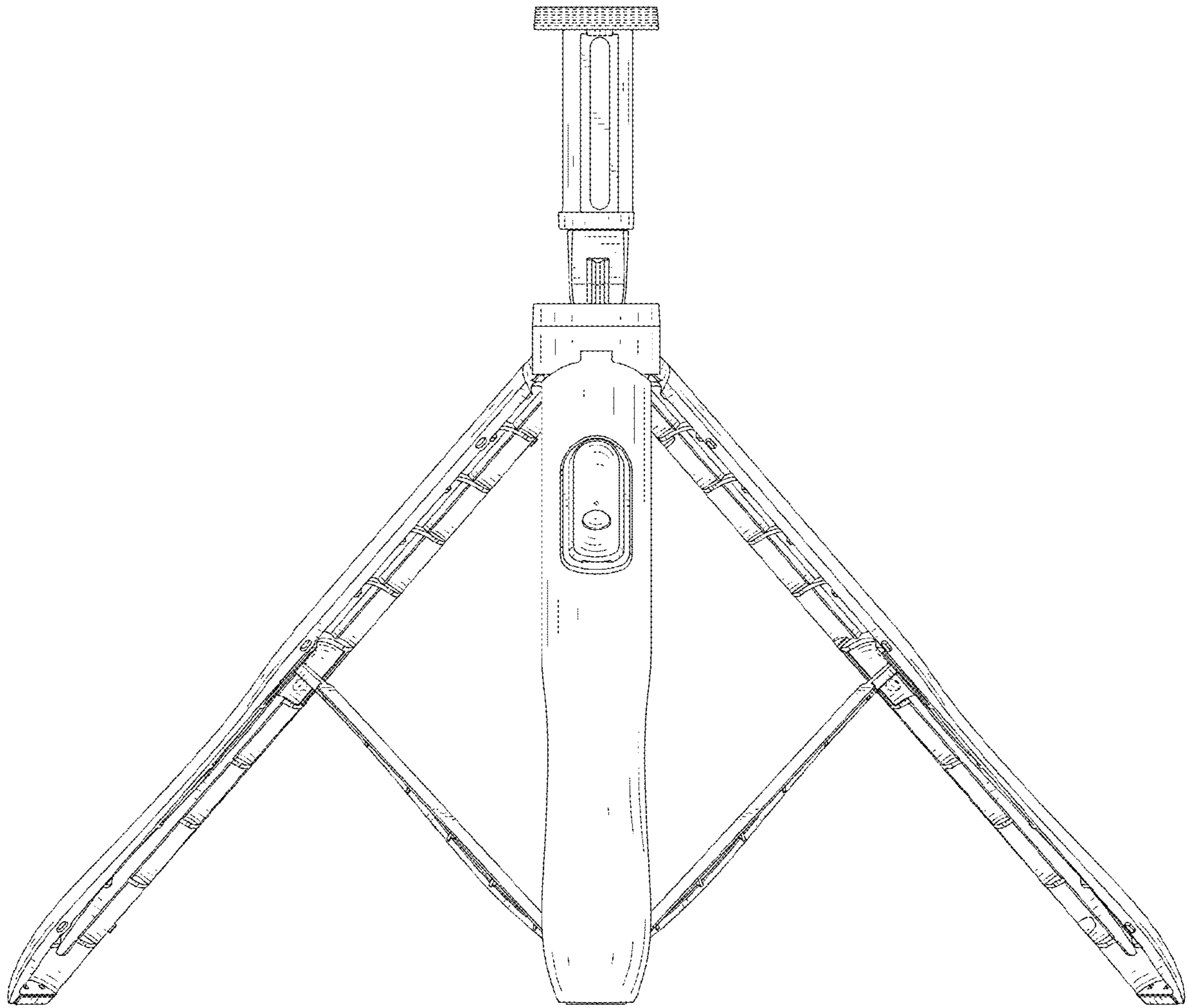


FIG. 3

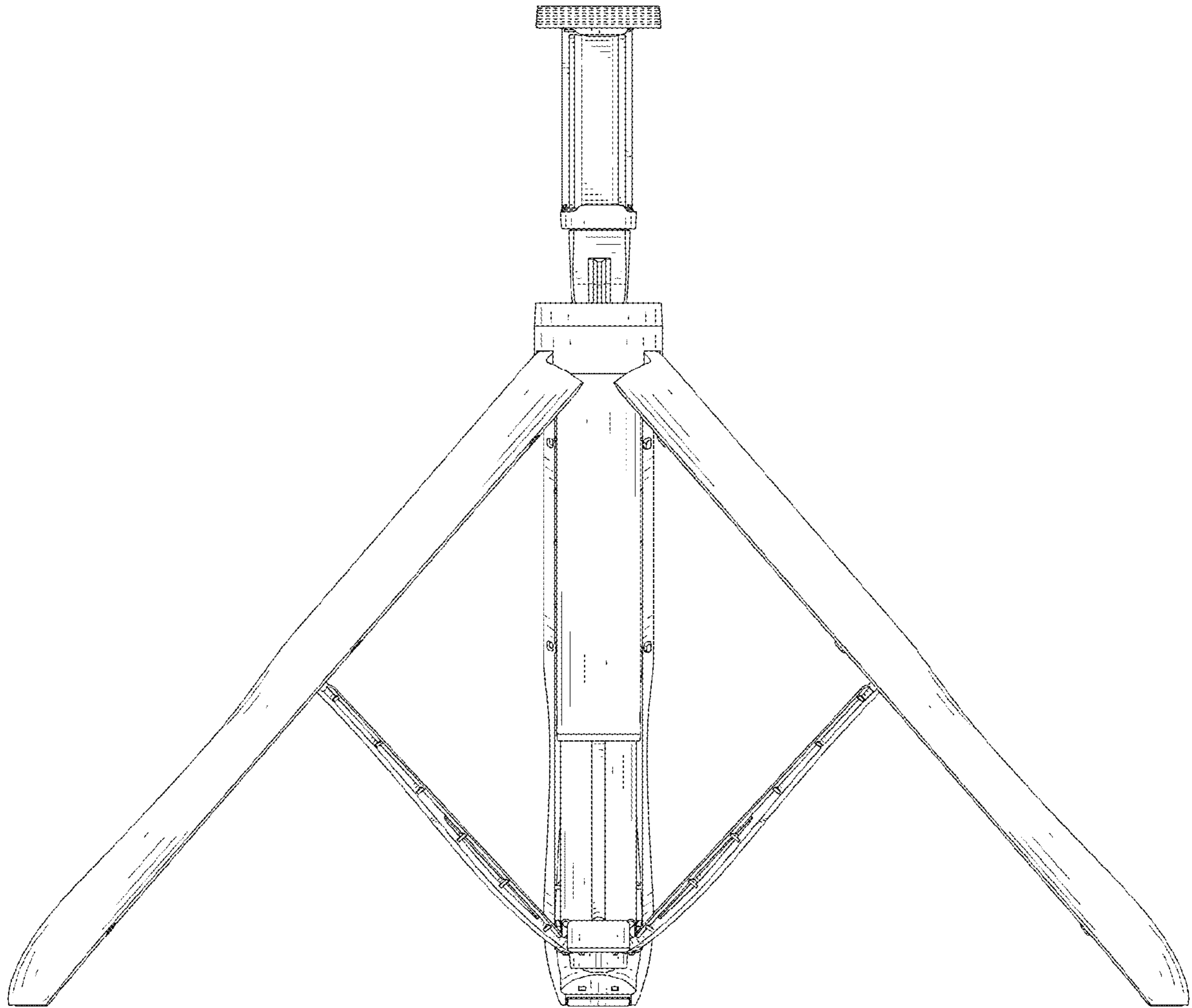


FIG. 4

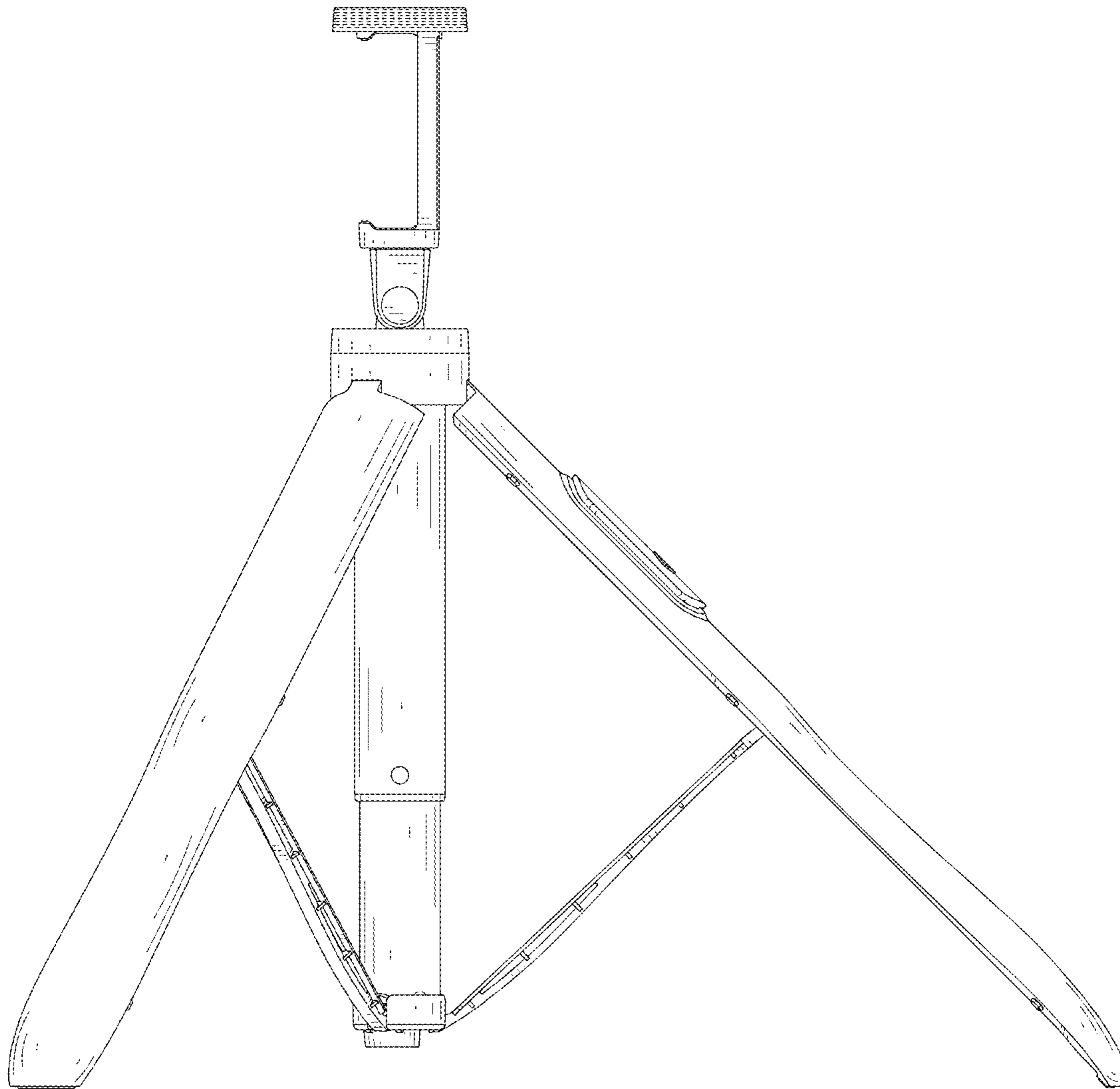


FIG. 5

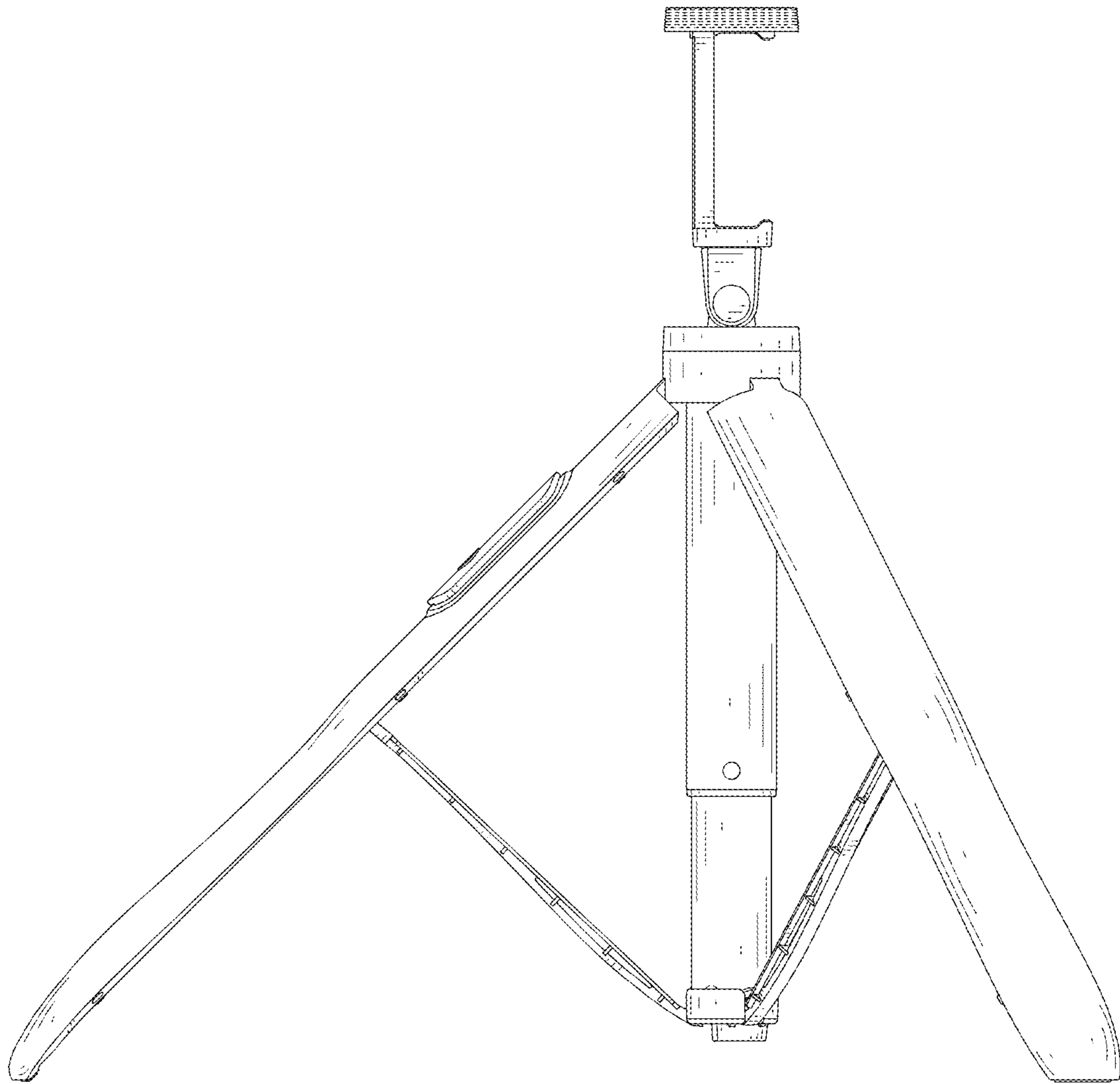


FIG. 6

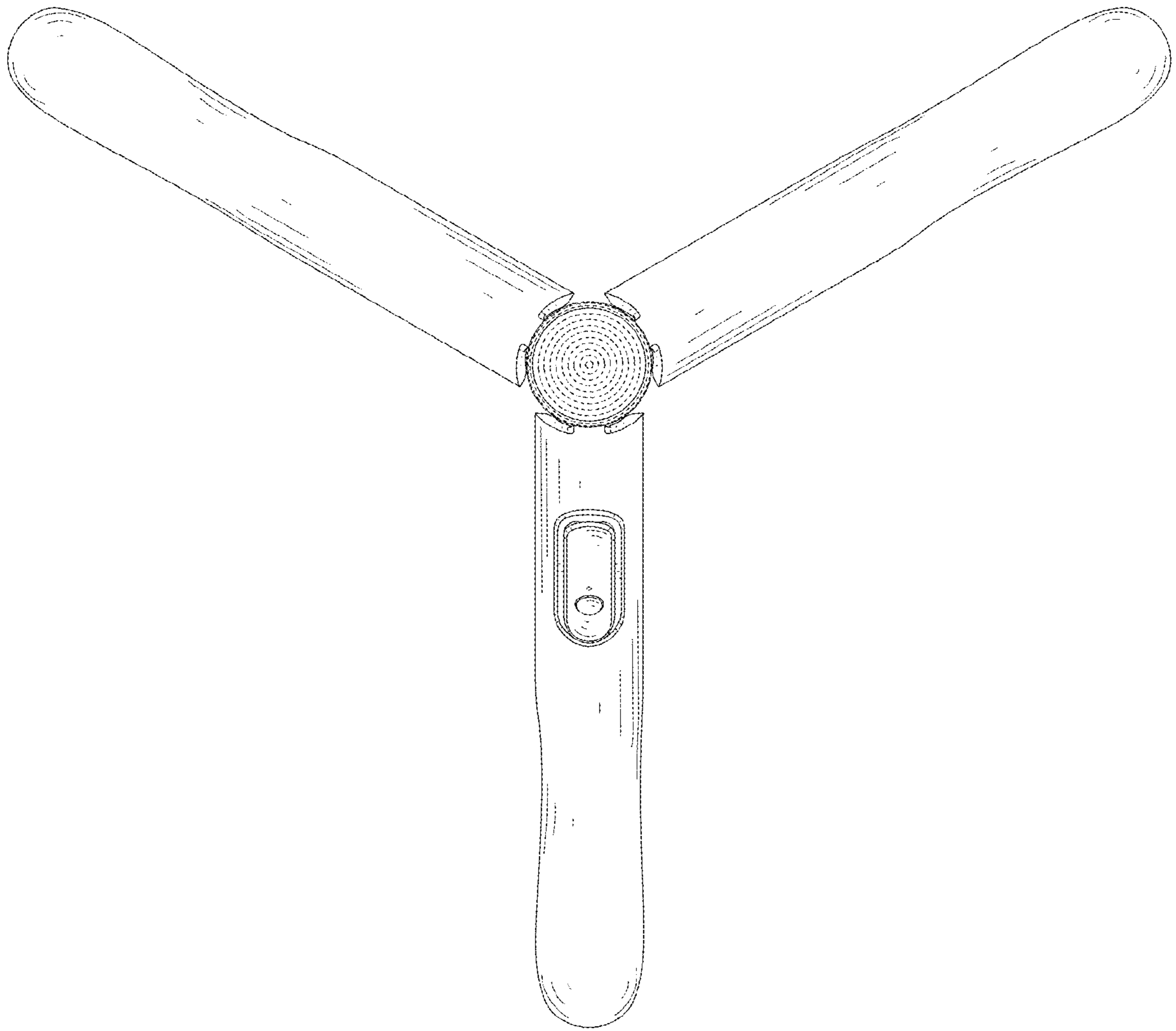


FIG. 7

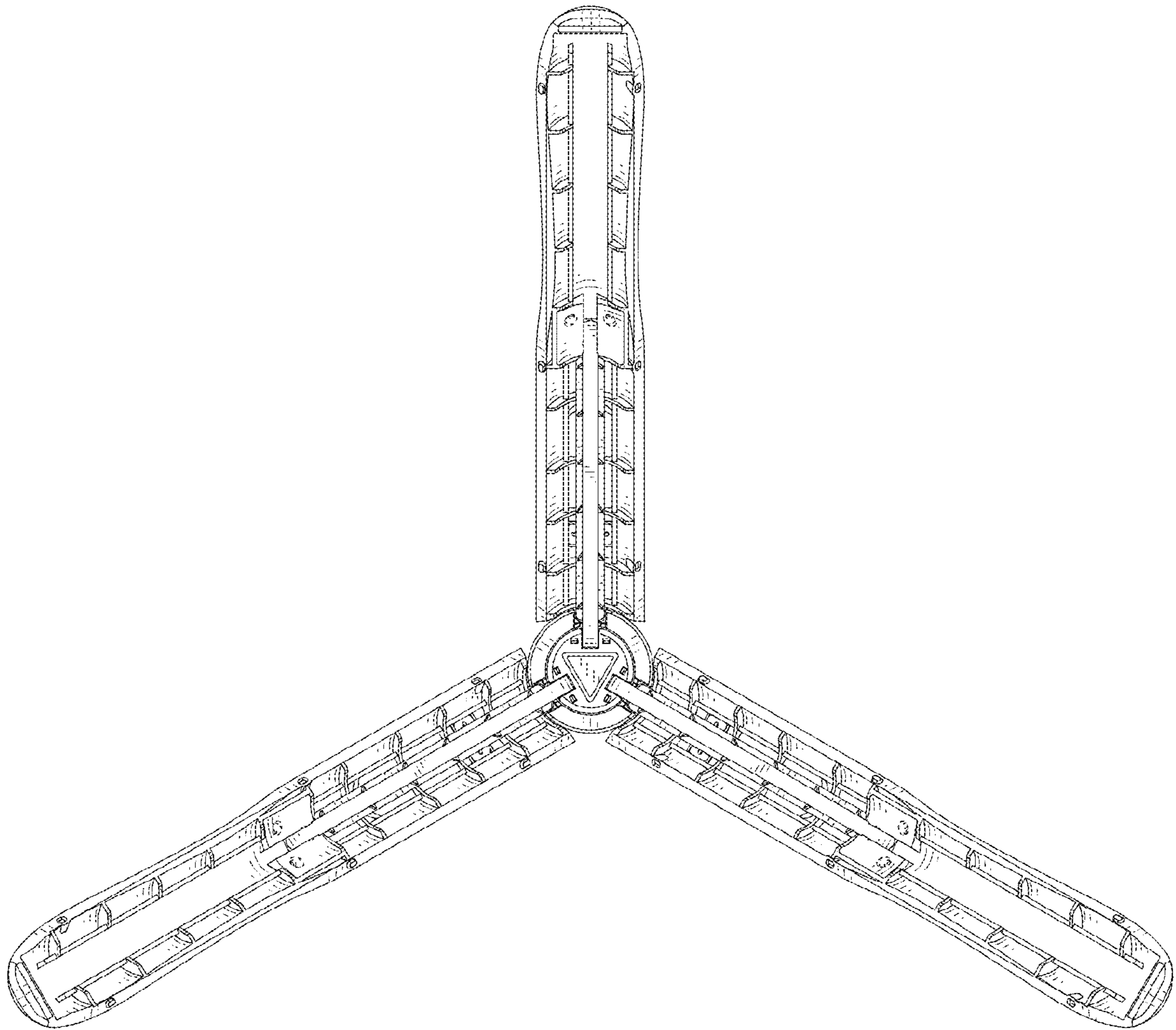


FIG. 8

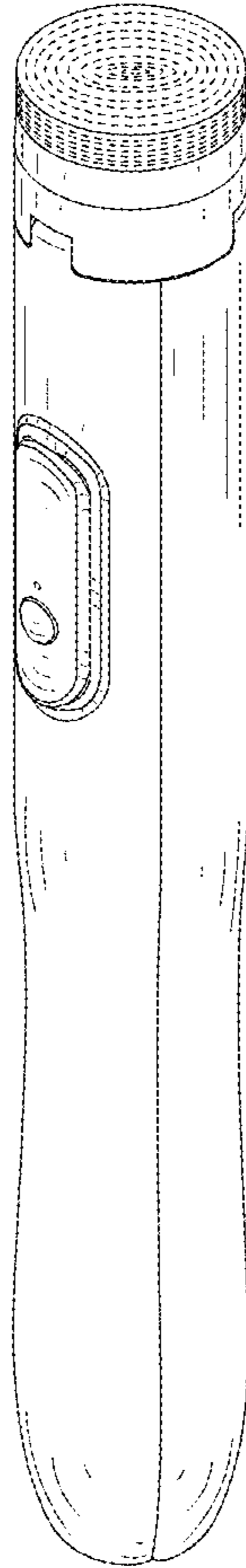


FIG. 9