



US00D972623S

(12) **United States Design Patent** (10) **Patent No.:** **US D972,623 S**  
**Yu et al.** (45) **Date of Patent:** **\*\* Dec. 13, 2022**

(54) **ELECTRIC MOTORIZED FLOOR SCREEN**  
(71) Applicant: **ShenZhen Screen Workshop Technology Ltd., Shenzhen (CN)**  
(72) Inventors: **Eddie Yu, Shenzhen (CN); Yaoqiu Zuo, Shenzhen (CN)**  
(\*\*) Term: **15 Years**  
(21) Appl. No.: **29/785,022**  
(22) Filed: **May 24, 2021**  
(51) **LOC (13) Cl.** ..... **16-05**  
(52) **U.S. Cl.**  
USPC ..... **D16/241**  
(58) **Field of Classification Search**  
USPC ..... D16/200, 201, 203, 204, 209, 214, 219, D16/237, 239-245, 250  
CPC ..... G03B 21/56; G03B 21/58  
See application file for complete search history.

2010/0304350 A1\* 12/2010 Huang ..... F16M 11/24 248/346.06  
2011/0026114 A1\* 2/2011 Abe ..... G03B 21/58 359/461  
2011/0032612 A1\* 2/2011 Abe ..... G03B 21/58 359/461  
2019/0025691 A1\* 1/2019 Abe ..... G03B 21/58  
2020/0022269 A1\* 1/2020 Liao ..... H05K 5/0226  
2020/0185965 A1\* 6/2020 Poirier ..... G03B 21/56  
2021/0382384 A1\* 12/2021 Shopp ..... G03B 21/625

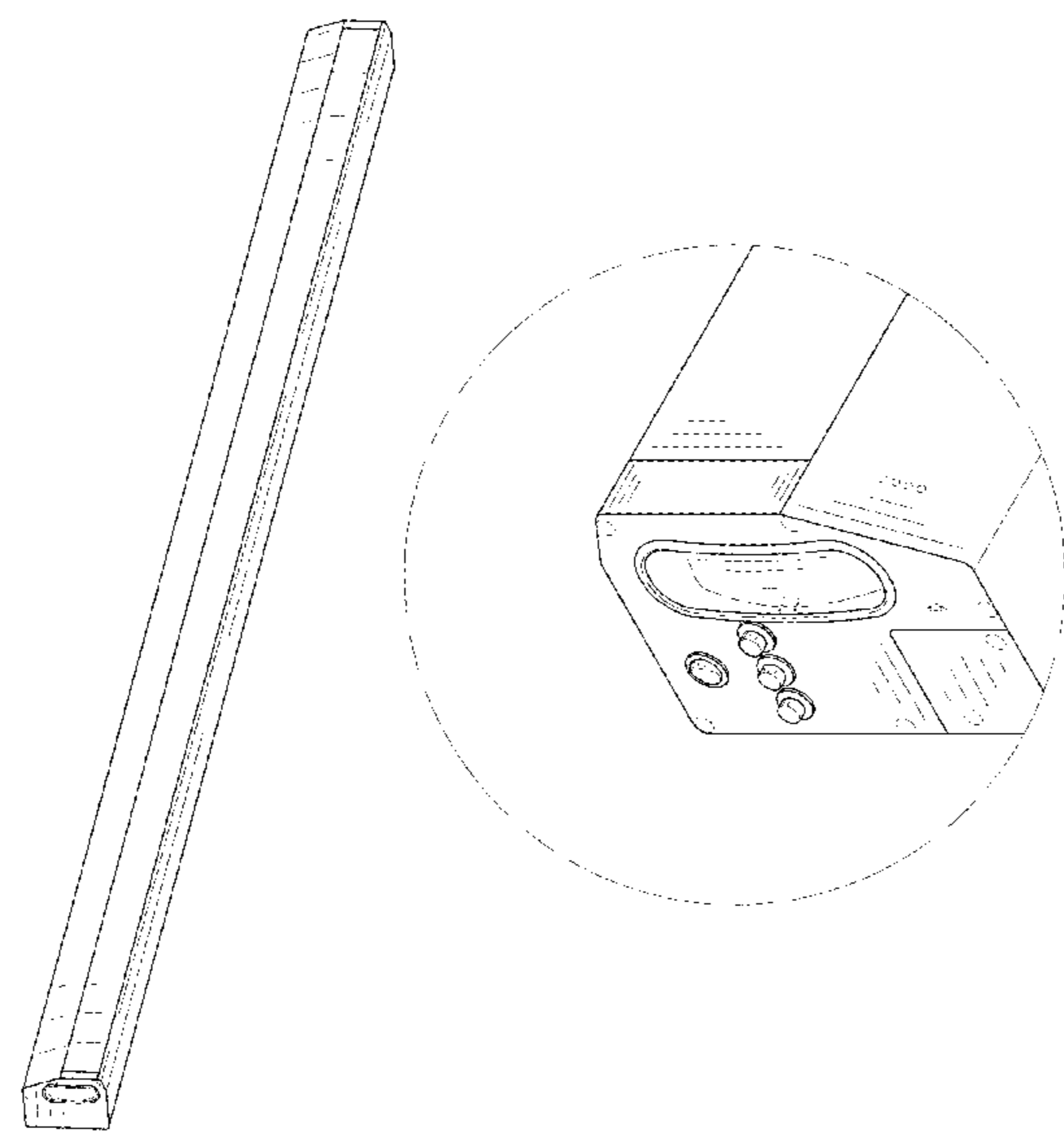
\* cited by examiner  
*Primary Examiner* — Maria J. Edwards  
*Assistant Examiner* — Dina Michelle Hoeynck  
(74) *Attorney, Agent, or Firm* — Rumit R. Kanakia

(57) **CLAIM**  
The ornamental design for an electric motorized floor screen, as shown and described.

(56) **References Cited**  
U.S. PATENT DOCUMENTS  
D188,825 S \* 9/1960 Petrick ..... D16/241  
D189,893 S \* 3/1961 Sayger ..... D16/241  
5,274,499 A \* 12/1993 Shopp ..... G03B 21/58 359/461  
7,203,000 B2\* 4/2007 Kotera ..... F16M 11/26 359/461  
D548,765 S \* 8/2007 Kotera ..... D16/241  
D594,894 S \* 6/2009 Adams ..... D16/241  
D602,973 S \* 10/2009 Adams ..... D16/241  
D867,433 S \* 11/2019 Gustafson ..... D16/241  
D875,815 S \* 2/2020 Fest ..... D16/241  
D933,772 S \* 10/2021 Sroufe ..... D22/104  
D939,616 S \* 12/2021 Zhu ..... D16/241  
D942,528 S \* 2/2022 Zou ..... D16/241  
D947,929 S \* 4/2022 Ni ..... D16/241  
2009/0122400 A1\* 5/2009 Adams ..... G03B 21/56 359/461  
2010/0000690 A1\* 1/2010 Yang ..... G03B 21/58 160/369

**DESCRIPTION**  
FIG. 1 is a first perspective view of an electric motorized floor screen showing my new design;  
FIG. 2 is a second perspective view thereof;  
FIG. 3 is a front view thereof;  
FIG. 4 is a back view thereof;  
FIG. 5 is a left side view thereof;  
FIG. 6 is a right side view thereof;  
FIG. 7 is a top view thereof;  
FIG. 8 is a bottom view thereof; and,  
FIG. 9 is an enlarged view of the selected portion in FIG. 2. The evenly dashed broken lines shown in the drawings depict portions of the electric motorized floor screen in which the design is embodied that form no part of the claimed design. The unevenly dashed broken lines in FIGS. 2 and 9 depict the boundaries of the area shown in the enlarged view in FIG. 9 and form no part of the claimed design.

**1 Claim, 9 Drawing Sheets**



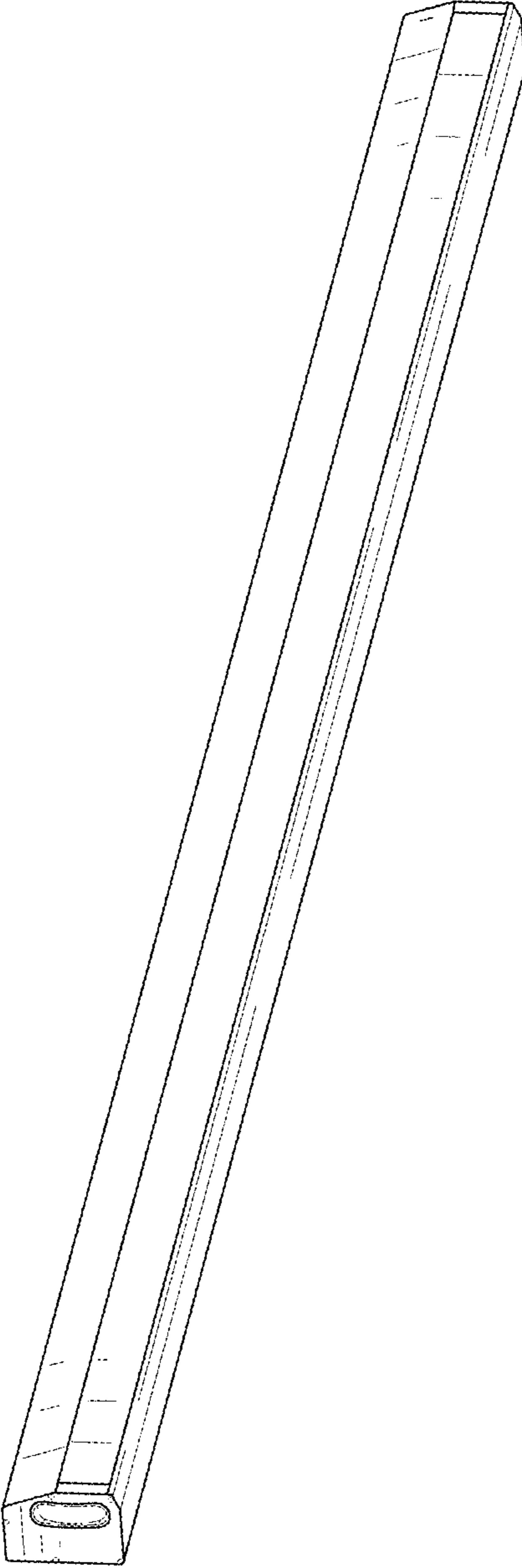


FIG. 1

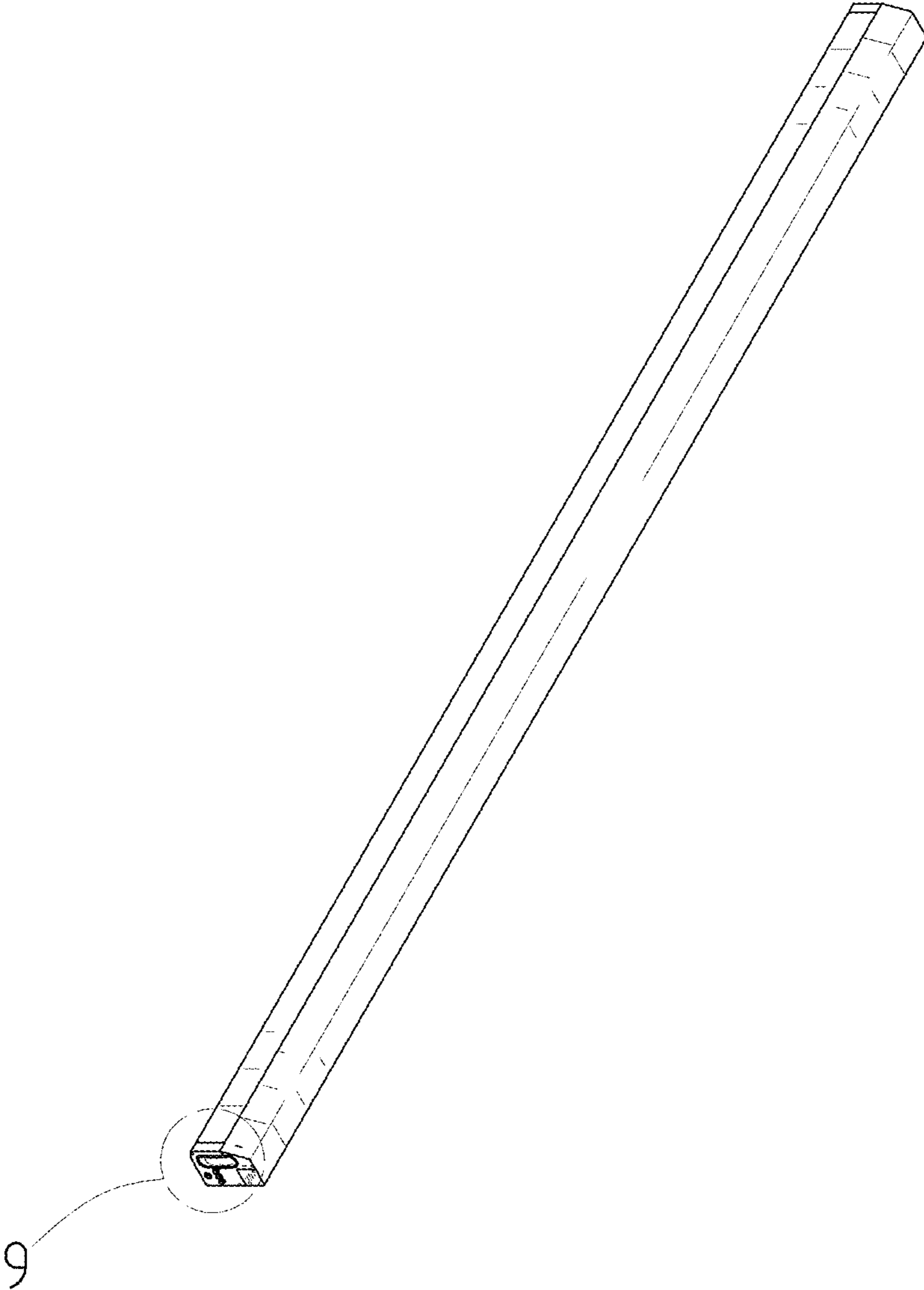


FIG. 2

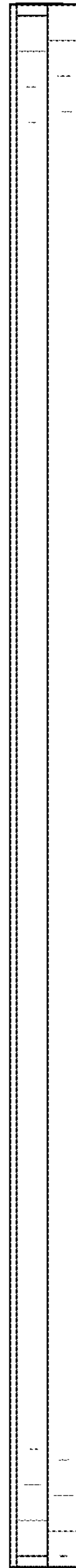


FIG. 3



FIG. 4

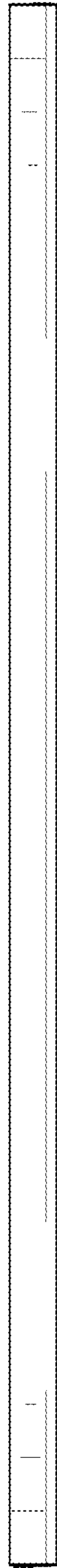


FIG. 5

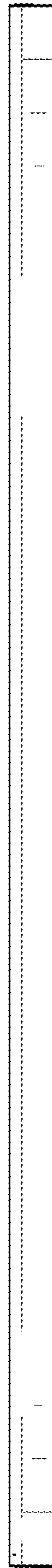


FIG. 6

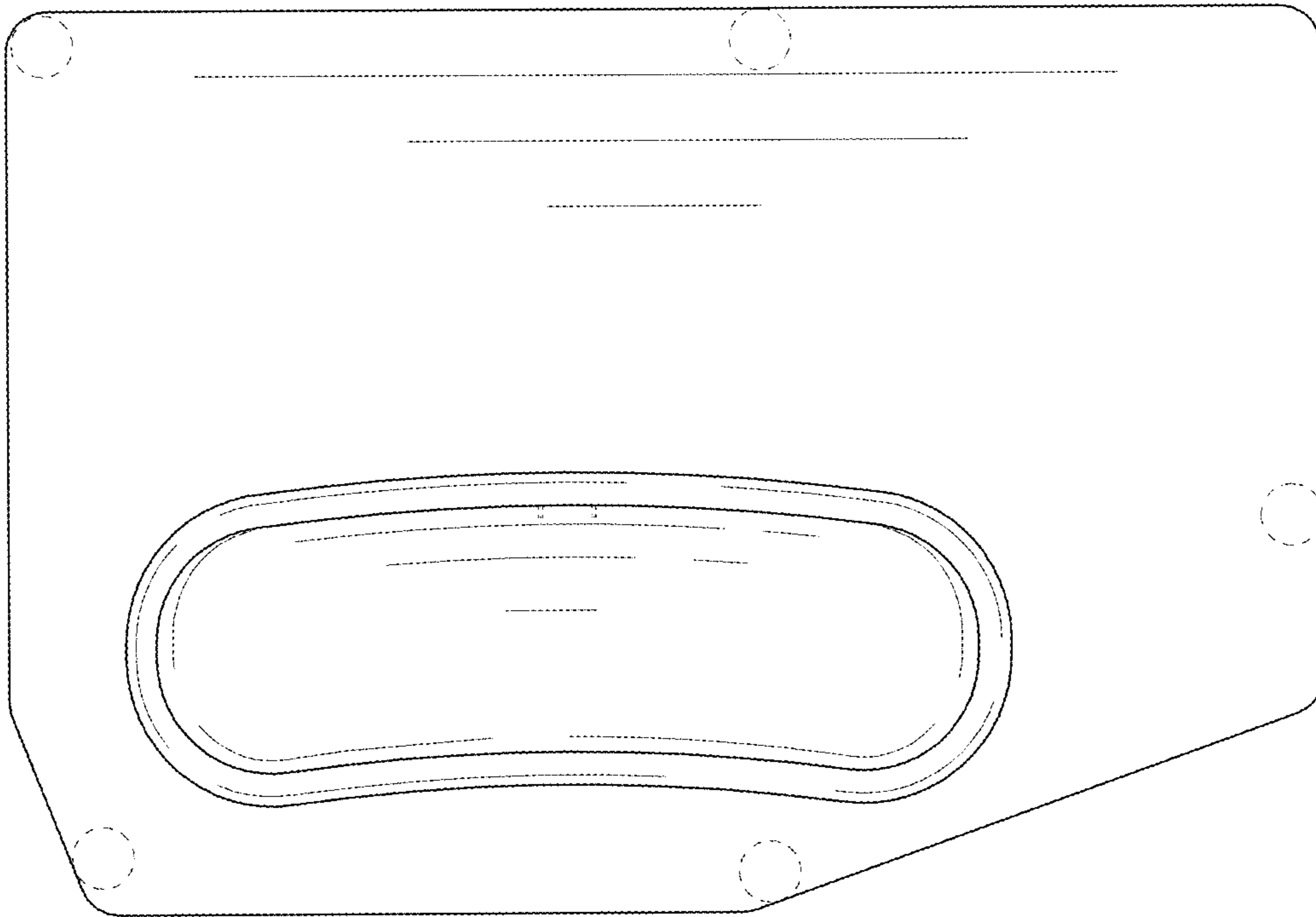


FIG. 7



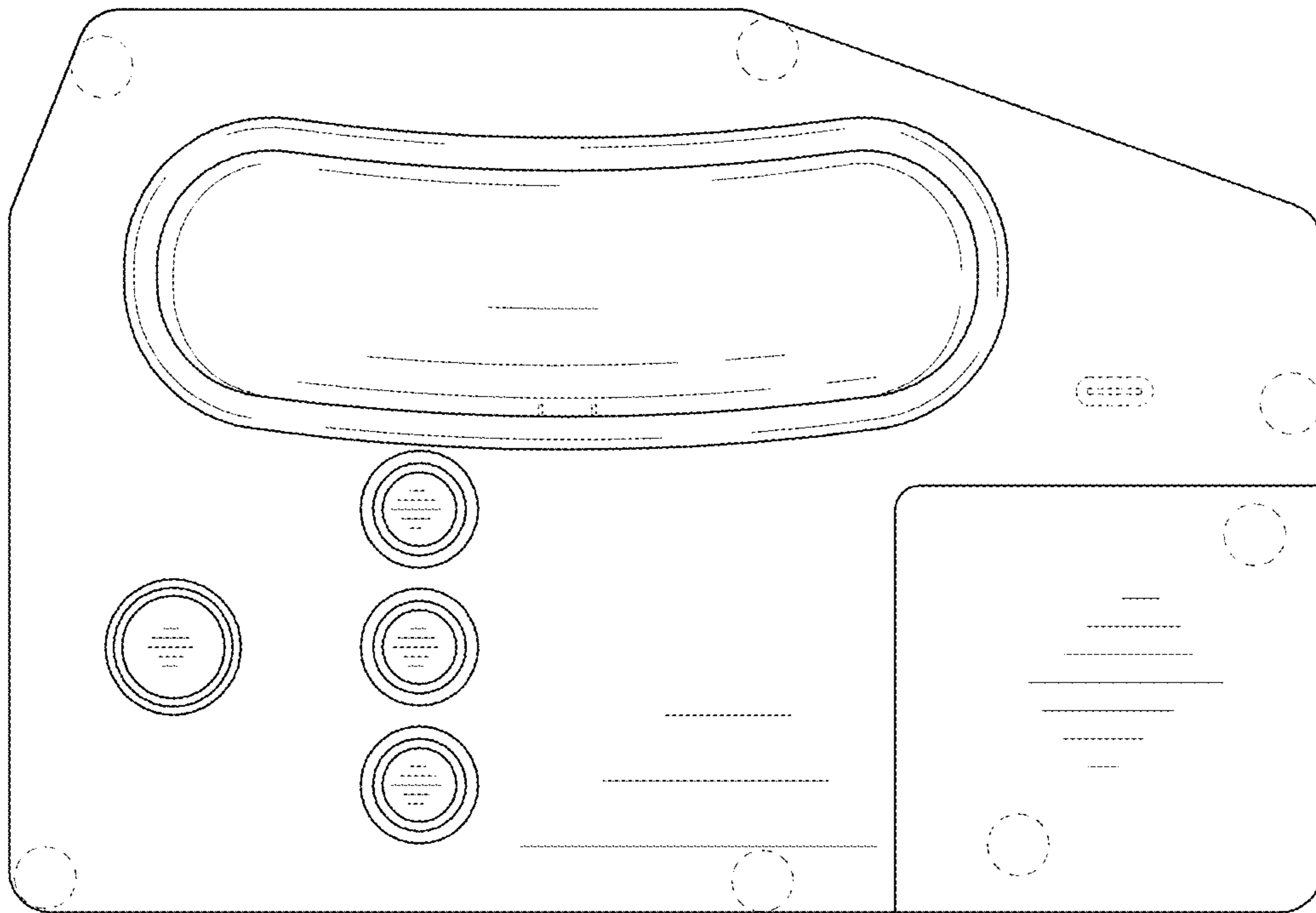


FIG. 8

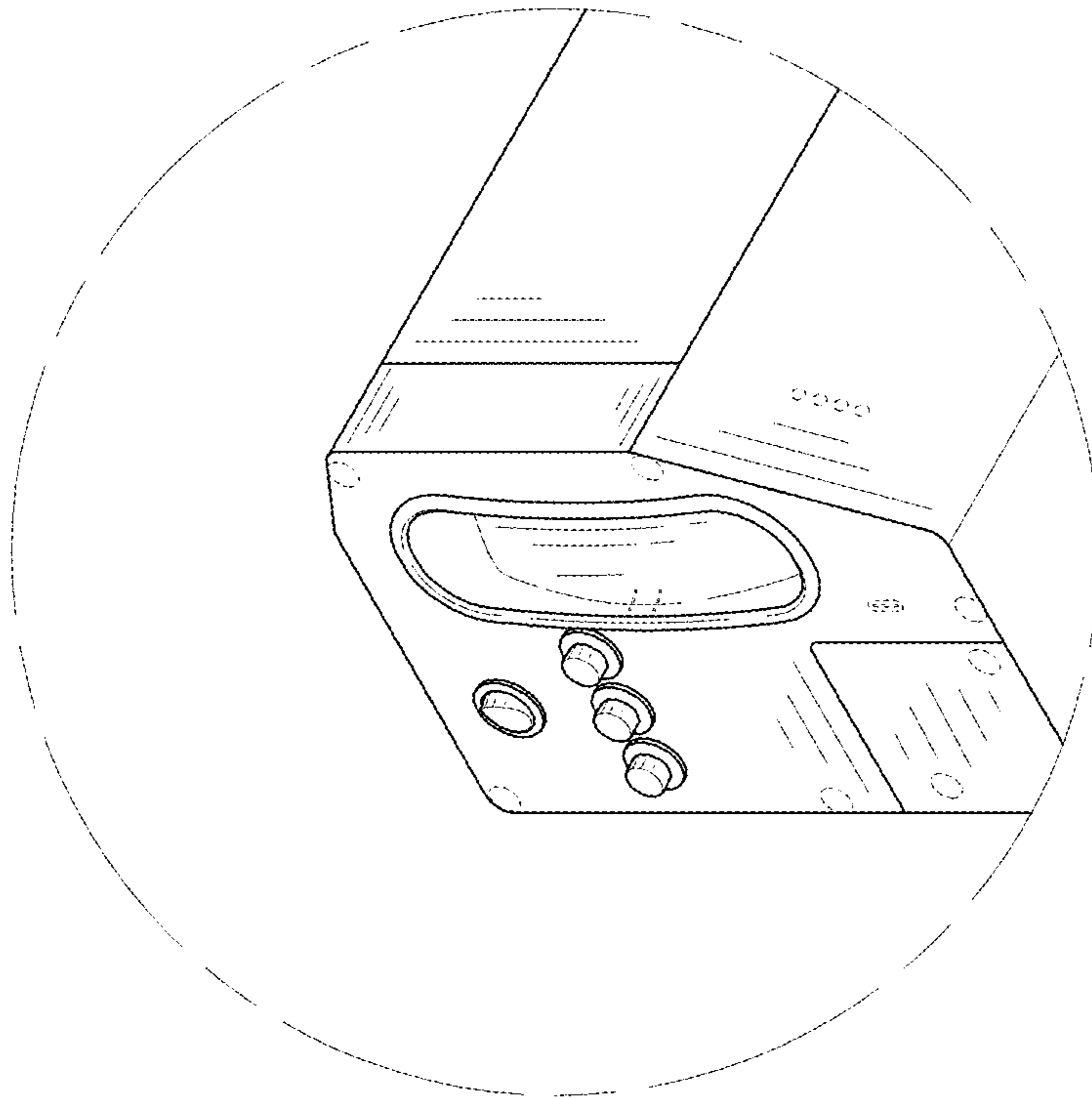


FIG. 9