



US00D972622S

(12) **United States Design Patent** (10) **Patent No.:** **US D972,622 S**  
**Schatzl** (45) **Date of Patent:** **\*\* Dec. 13, 2022**

(54) **MOUNTING PART WITH ORNAMENTAL FEATURE**

FOREIGN PATENT DOCUMENTS

(71) Applicant: **Arnold & Richter Cine Technik GmbH & Co. Betriebs KG, Munich (DE)**

CN 305637324 \* 1/2019

(72) Inventor: **Gerhard Schatzl, St. Polten (AT)**

OTHER PUBLICATIONS

(73) Assignee: **ARNOLD & RICHTER CINE TECHNIK GMBH & CO. BETRIEBS KG, Munich (DE)**

ARRI (available online) Retrieved from the internet Jul. 18, 2022 from URL: <https://www.arri.com/en/camera-systems/mechanical-accessories/camera-support-systems>.\*

(\*\*) Term: **15 Years**

\* cited by examiner

(21) Appl. No.: **29/679,111**

*Primary Examiner* — Richard Kearney

(22) Filed: **Feb. 1, 2019**

*Assistant Examiner* — Benjamin M Weeks

(30) **Foreign Application Priority Data**

(74) *Attorney, Agent, or Firm* — Dinsmore & Shohl LLP

Oct. 11, 2018 (EM) ..... 005795713

(51) **LOC (13) Cl.** ..... **16-05**

(52) **U.S. Cl.**  
USPC ..... **D16/237**

(58) **Field of Classification Search**  
USPC ..... D8/349; D16/200–220, 237–245  
CPC ..... G03B 17/00; G03B 17/02; G03B 17/12;  
G03B 17/36; G03B 17/56  
See application file for complete search history.

(57) **CLAIM**

The ornamental design for a mounting part with ornamental feature, as shown and described.

(56) **References Cited**

**DESCRIPTION**

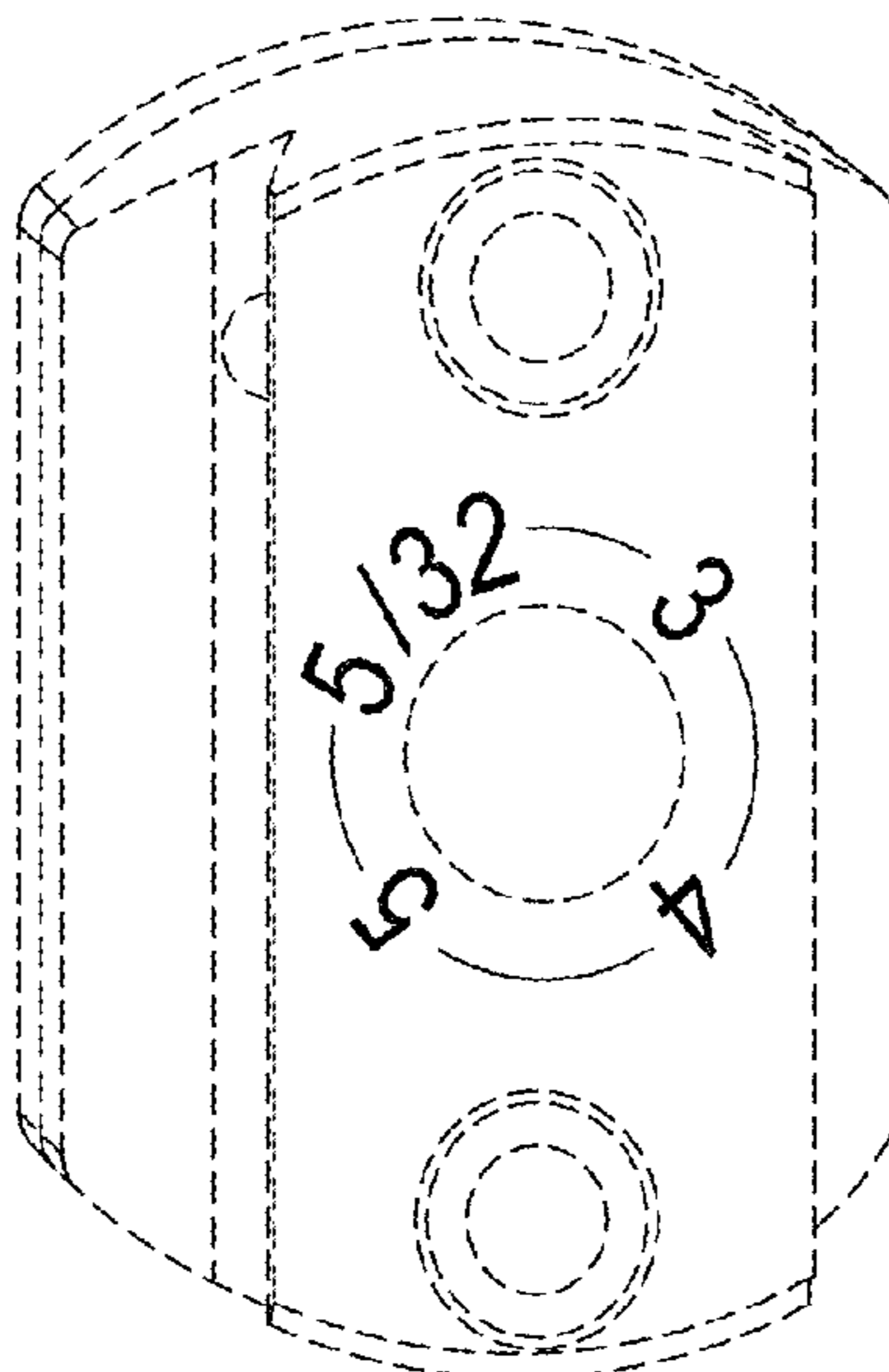
U.S. PATENT DOCUMENTS

D471,078 S \* 3/2003 Chen ..... D8/349  
D759,280 S \* 6/2016 Möller ..... D26/63  
D767,218 S \* 9/2016 Hickling ..... A01K 1/04  
D30/154  
D783,874 S \* 4/2017 Möller ..... D26/63  
D794,419 S \* 8/2017 Rock ..... D8/349  
D802,404 S \* 11/2017 Turksu ..... D12/415  
D857,133 S \* 8/2019 Saponaro ..... D21/698

FIG. 1 is a top perspective view of a mounting part with ornamental feature;  
FIG. 2 is a top view of the mounting part with ornamental feature of FIG. 1;  
FIG. 3 is a bottom view of the mounting part with ornamental feature of FIG. 1;  
FIG. 4 is a right side view of the mounting part with ornamental feature of FIG. 1;  
FIG. 5 is a left side view of the mounting part with ornamental feature of FIG. 1;  
FIG. 6 is a front view of the mounting part with ornamental feature of FIG. 1; and,  
FIG. 7 is a rear view of the mounting part with ornamental feature of FIG. 1.

The broken lines show portions of the mounting part with ornamental feature that form no part of the claimed design.

**1 Claim, 2 Drawing Sheets**



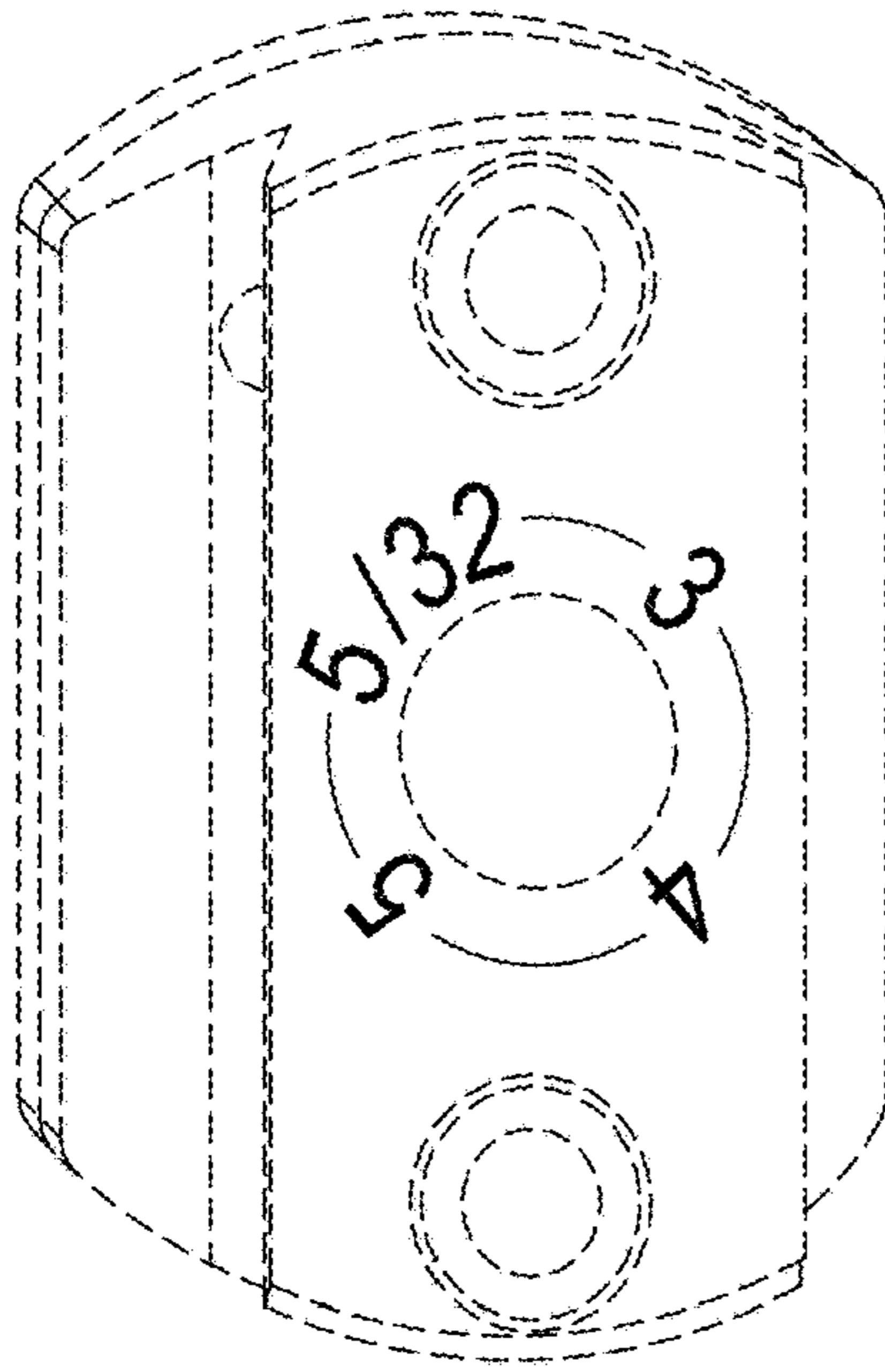


Fig-1

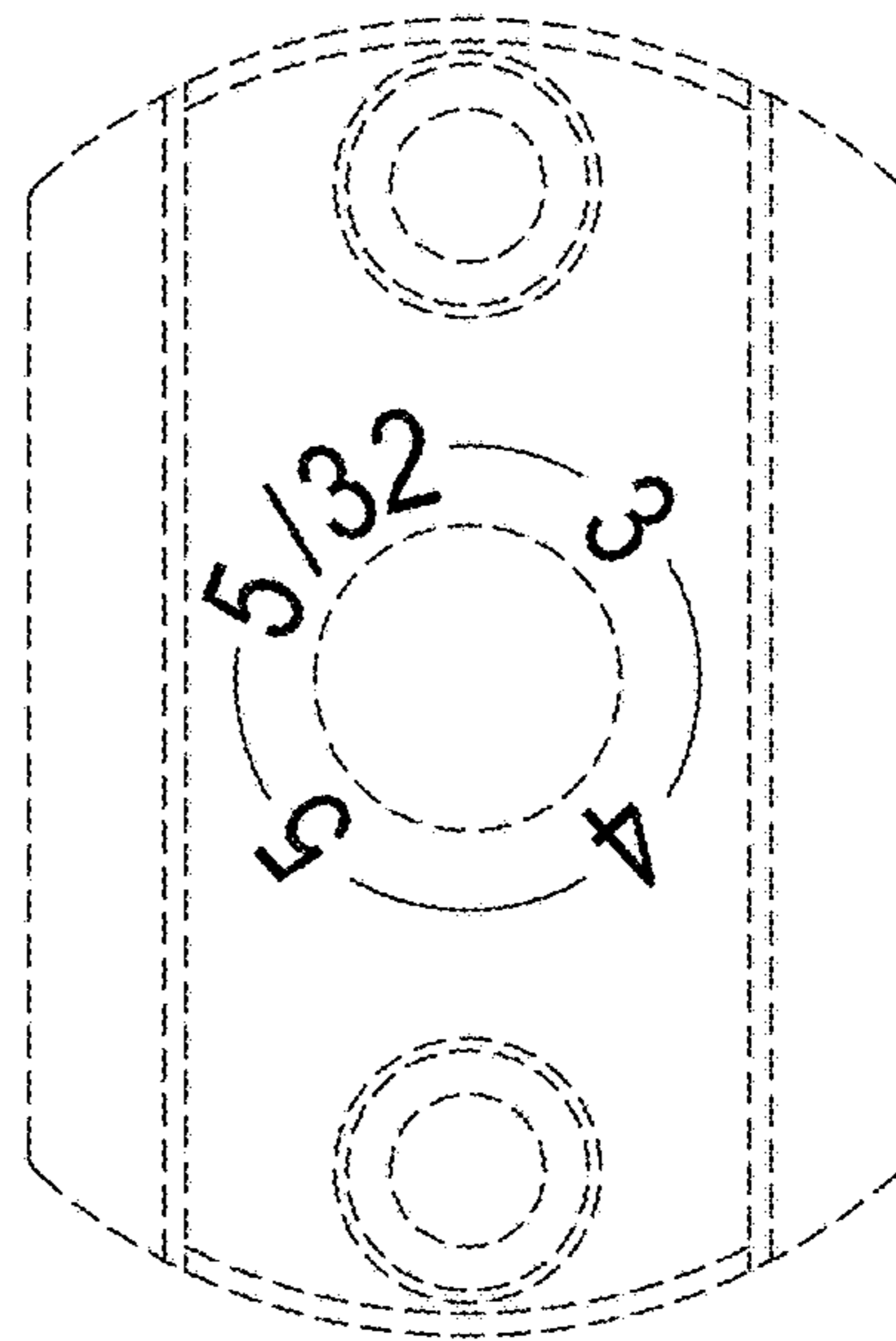


Fig-2

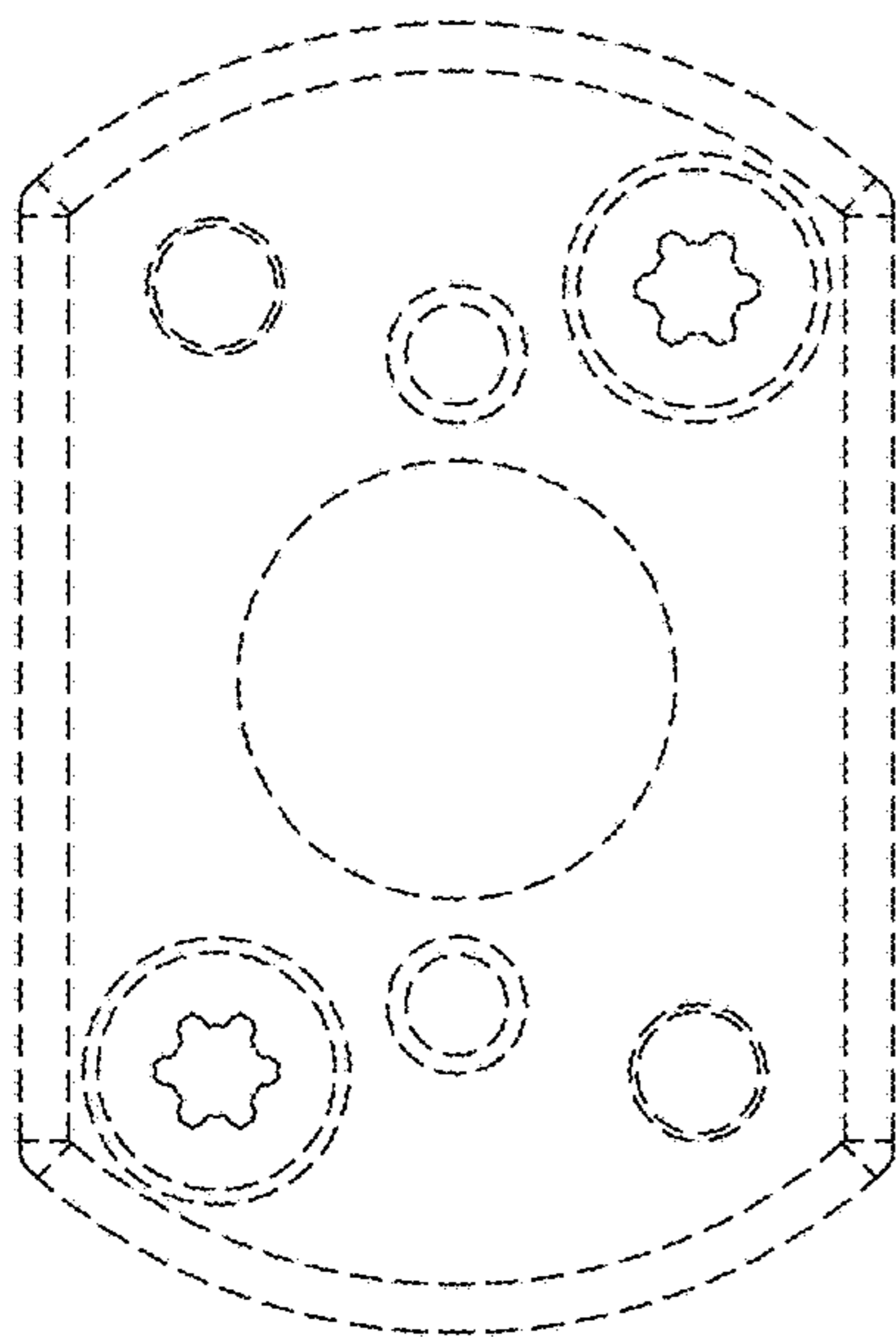


Fig-3

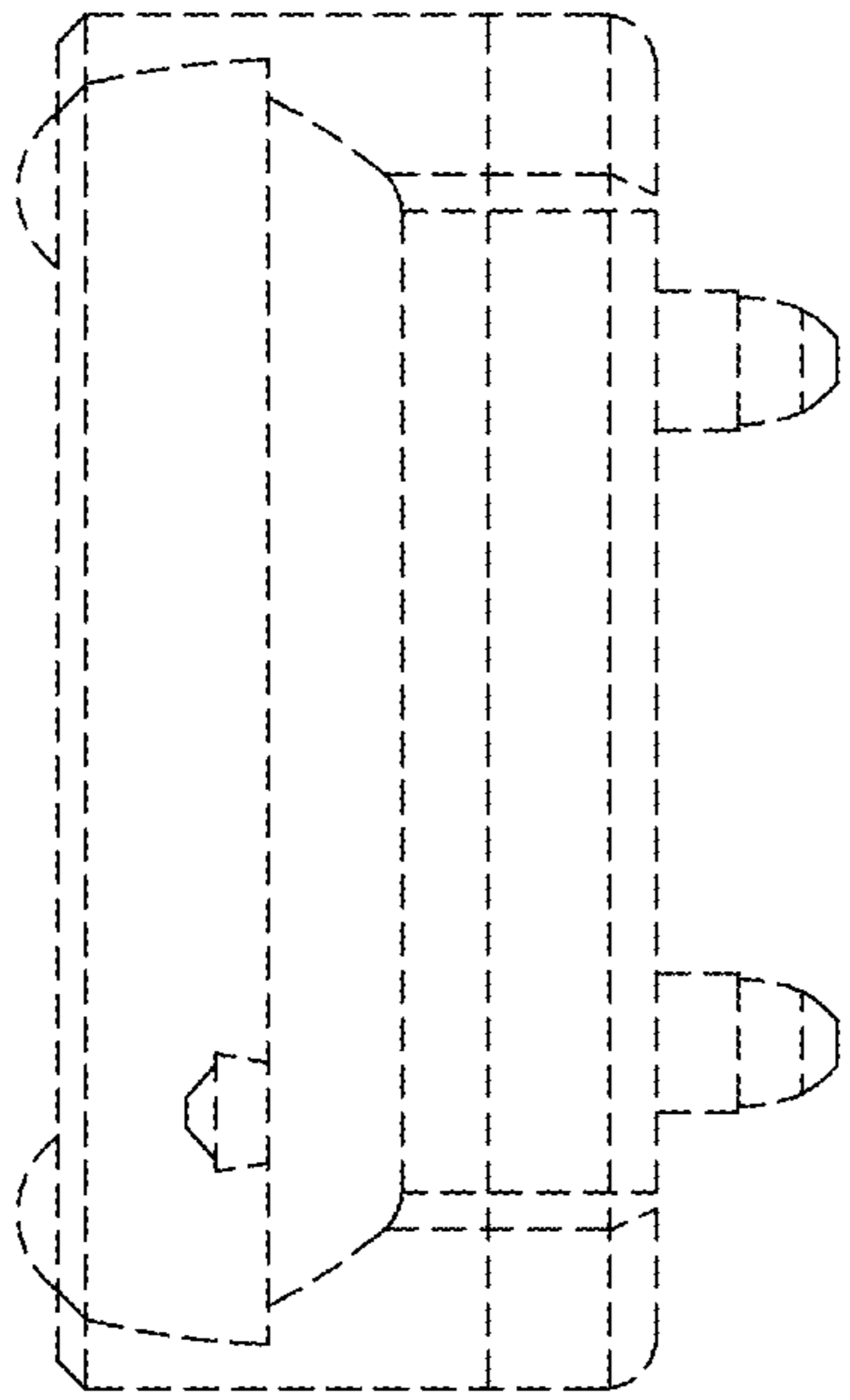


Fig-4

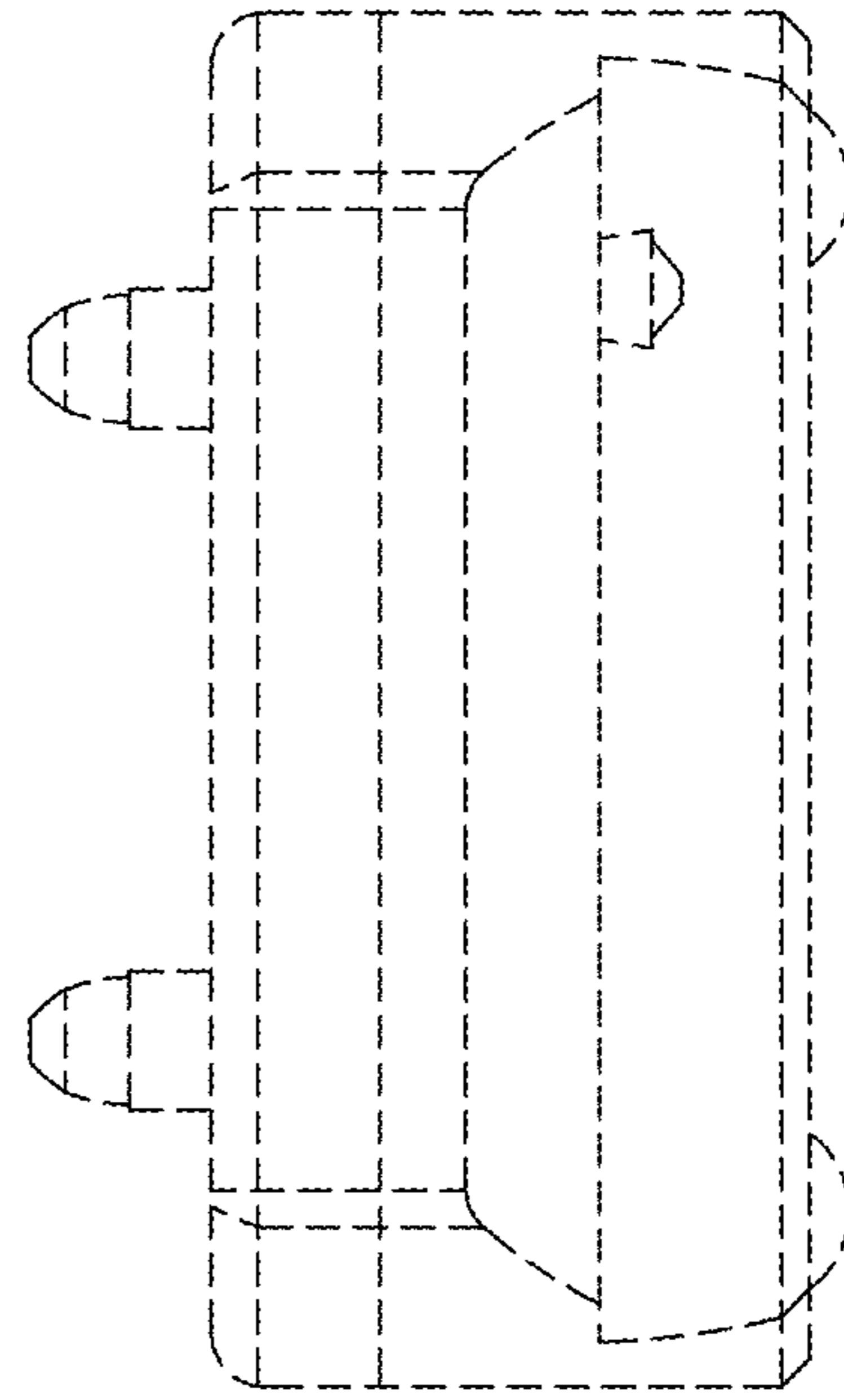


Fig-5

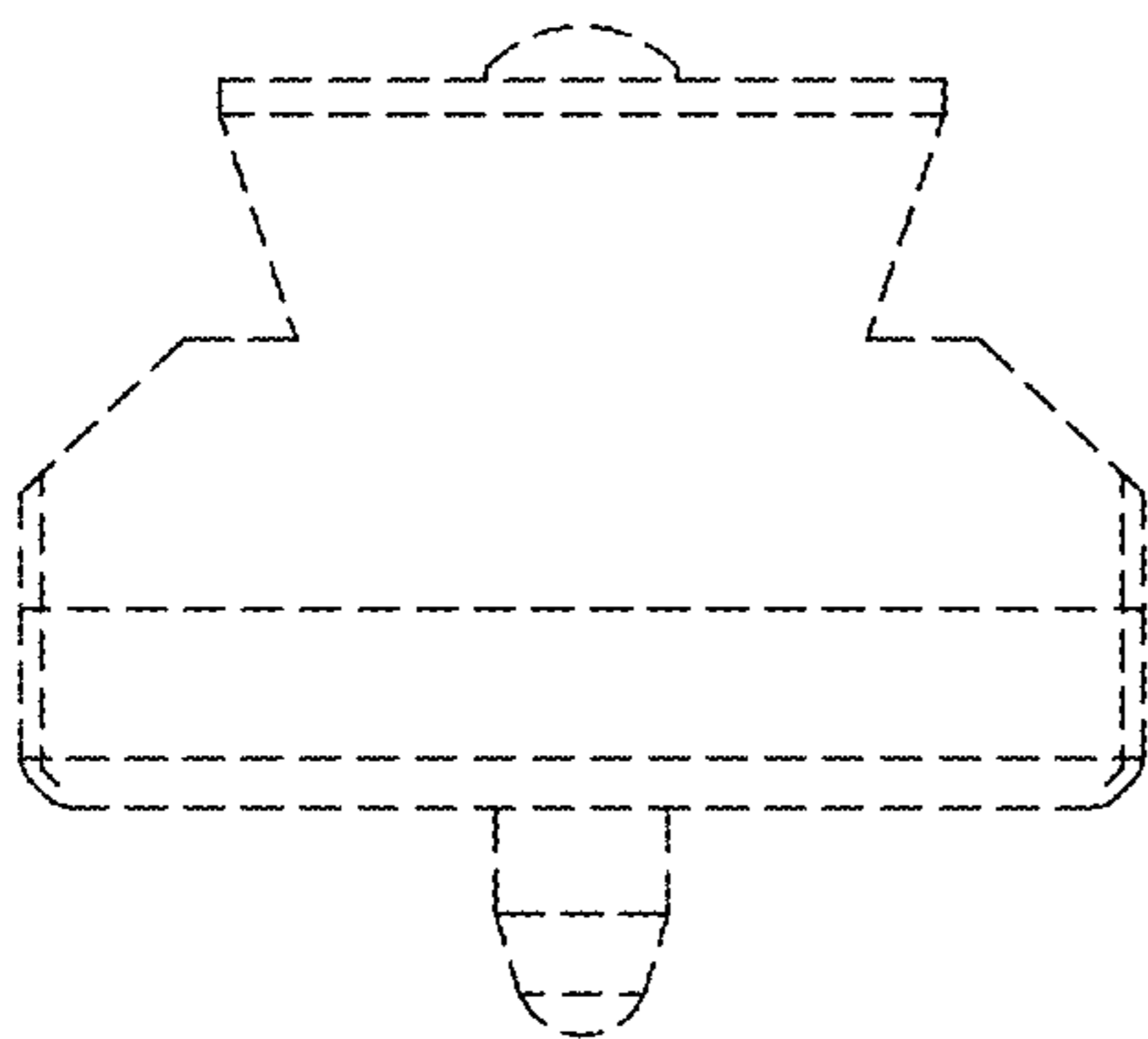


Fig-6

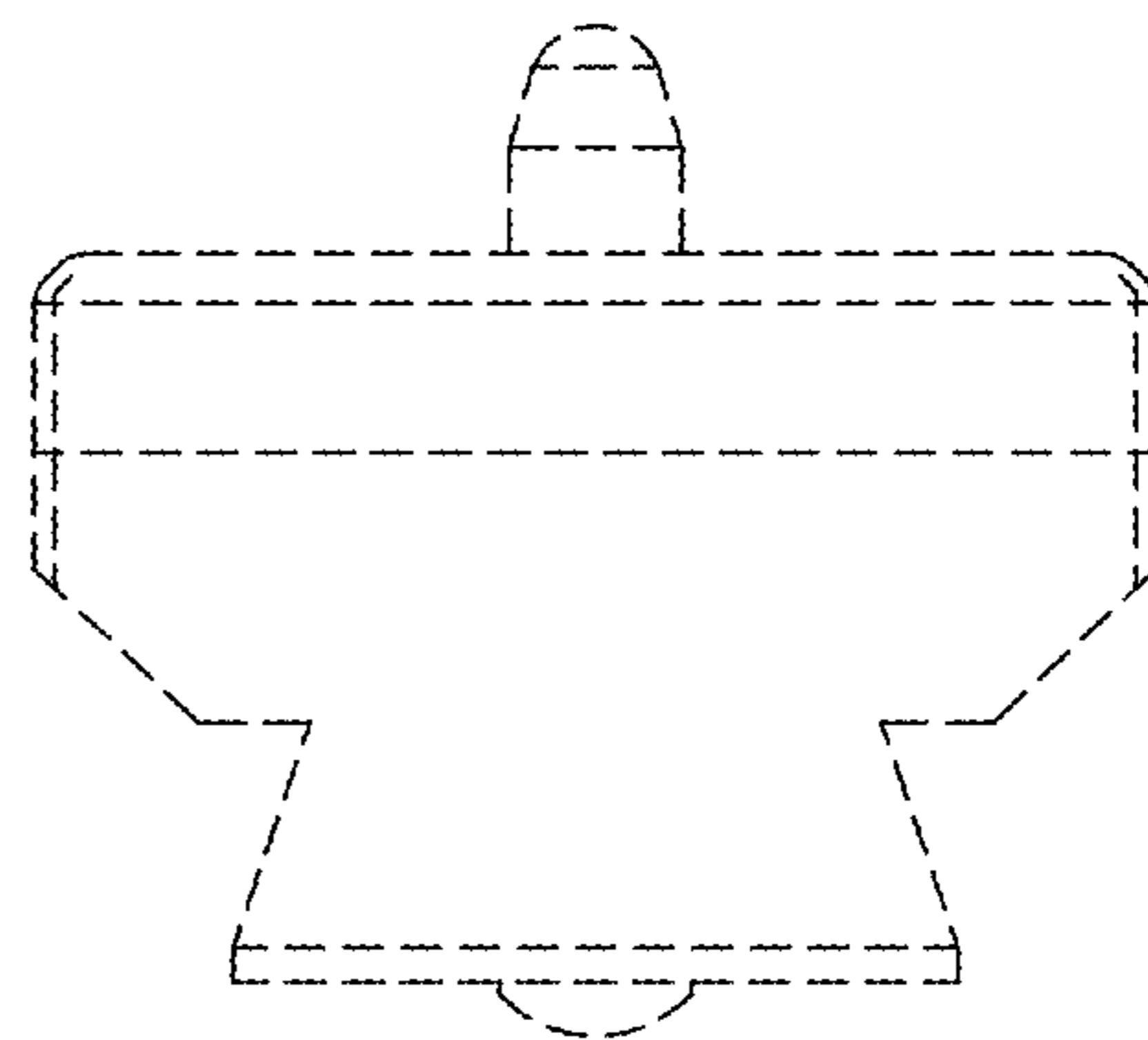


Fig-7