



US00D972619S

(12) **United States Design Patent**  
**Laurent et al.**

(10) **Patent No.:** **US D972,619 S**  
(45) **Date of Patent:** **\*\* Dec. 13, 2022**

- (54) **THERMAL IMAGER**
- (71) Applicant: **E.D. Bullard Company**, Cynthiana, KY (US)
- (72) Inventors: **Alain Laurent**, Vaud (CH); **Jonathan Price**, Grolley (CH); **David Amos Ward**, Lexington, KY (US)
- (73) Assignee: **E.D. Bullard Company**, Cynthiana, KY (US)
- (\*\*) Term: **15 Years**
- (21) Appl. No.: **29/762,650**
- (22) Filed: **Dec. 17, 2020**
- (51) **LOC (13) Cl.** ..... **16-01**
- (52) **U.S. Cl.**  
USPC ..... **D16/206**
- (58) **Field of Classification Search**  
USPC ..... D16/200–204, 205–208, 243; D10/46, D10/47, 50, 52, 62, 65, 70, 71, 104.1, D10/106.6, 106.7, 109.1, 109.2, 121; D14/317, 474, 496, 507  
CPC .... G03B 17/02; G03B 21/10; G03B 2217/00; G03B 2217/243; H04N 5/2252; H04N 5/2253; H04N 5/2254  
See application file for complete search history.

D870,177 S \* 12/2019 Mai ..... D16/202  
D870,182 S \* 12/2019 Lin ..... D16/206  
D930,729 S \* 9/2021 Ou ..... D16/206

**FOREIGN PATENT DOCUMENTS**

CN 305508886 \* 12/2019  
CN 306154795 \* 11/2020

**OTHER PUBLICATIONS**

“Sector Optics T3 Thermal Imager” from Optics-trade.eu, first retrieved on Jun. 28, 2022 from the internet <<https://www.optics-trade.eu/us/sector-optics-t3-thermal-imager.html>> (Year: 2022).\*

(Continued)

*Primary Examiner* — Elizabeth J Oswecki  
*Assistant Examiner* — Lacey Chey Bowman  
(74) *Attorney, Agent, or Firm* — Stites & Harbison, PLLC; David W. Nagle, Jr.; Gary N. Stewart

(57) **CLAIM**

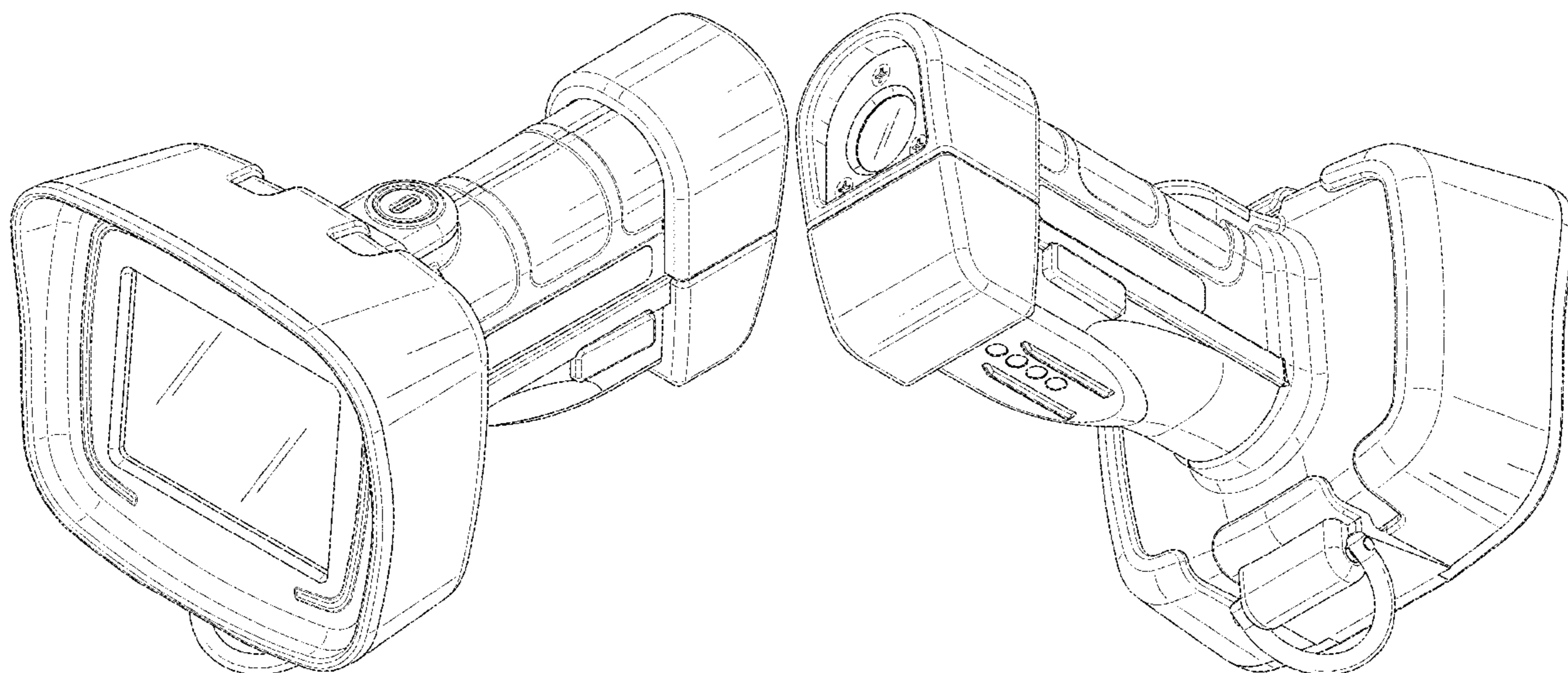
The ornamental design for a thermal imager, as shown and described.

**DESCRIPTION**

FIG. 1 is a top perspective view of a thermal imager showing our new design;  
FIG. 2 is a bottom perspective view of the thermal imager of FIG. 1;  
FIG. 3 is a rear view of the thermal imager of FIG. 1;  
FIG. 4 is a front view of the thermal imager of FIG. 1;  
FIG. 5 is a top view of the thermal imager of FIG. 1;  
FIG. 6 is a bottom view of the thermal imager of FIG. 1;  
FIG. 7 is a left side view of the thermal imager of FIG. 1; and,  
FIG. 8 is a right side view of the thermal imager of FIG. 1.  
The broken lines shown in the drawings depict portions of the thermal imager that form no part of the claimed design.

**1 Claim, 8 Drawing Sheets**

- (56) **References Cited**  
U.S. PATENT DOCUMENTS
- |              |         |           |         |
|--------------|---------|-----------|---------|
| D472,911 S   | 4/2003  | Bielefeld |         |
| D479,548 S   | 9/2003  | Bielefeld |         |
| D585,927 S * | 2/2009  | Sheard    | D16/206 |
| D658,222 S * | 4/2012  | Elrod     | D16/206 |
| D780,245 S * | 2/2017  | Ruback    | D16/206 |
| D805,571 S * | 12/2017 | Högstedt  | D16/206 |



(56)

**References Cited**

OTHER PUBLICATIONS

“Infra Red Thermography Testing” from Indiamart.com, first retrieved on Jun. 28, 2022 from the internet <<https://www.indiamart.com/proddetail/infra-red-thermography-testing-6364662133.html>> (Year: 2022).\*

Scott Technologies, Inc., Scott Eagle Attack Thermal Imaging Camera and Charging System Operating and Maintenance Instructions, 2012.

E.D. Bullard Company, Bullard ECLLDX Thermal Imager User Manual, 2020.

E.D. Bullard Company, Bullard EcoX Thermal Imager User Manual, 2016.

E.D. Bullard Company, Bullard NXT Thermal Imager User Manual, 2018.

E.D. Bullard Company, Bullard QXT Thermal Imager User Manual, 2018.

E.D. Bullard Company, Bullard T3X Thermal Imager User Manual, 2015.

E.D. Bullard Company, Bullard T4X Thermal Imager User Manual, 2015.

\* cited by examiner

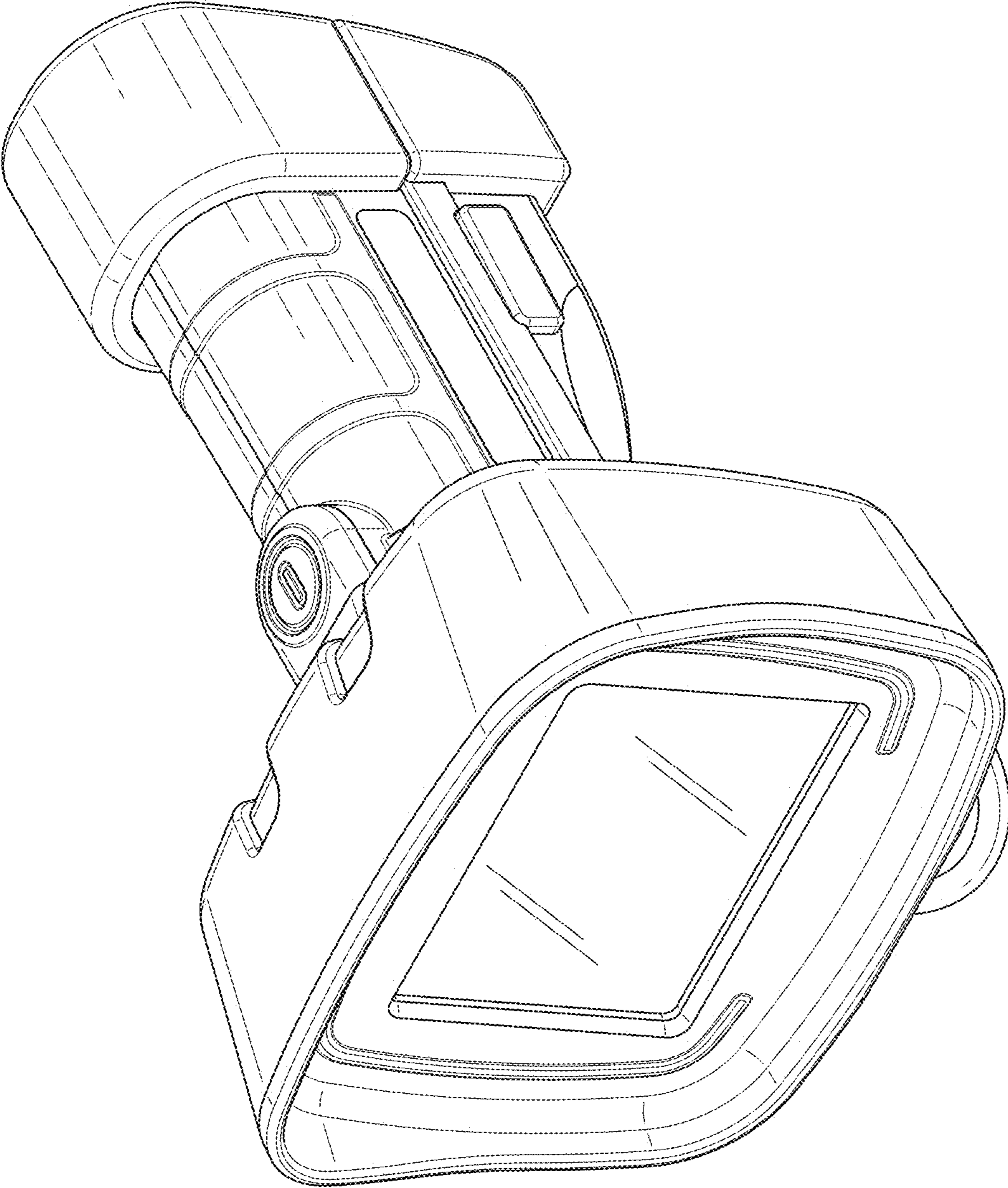


FIG. 1

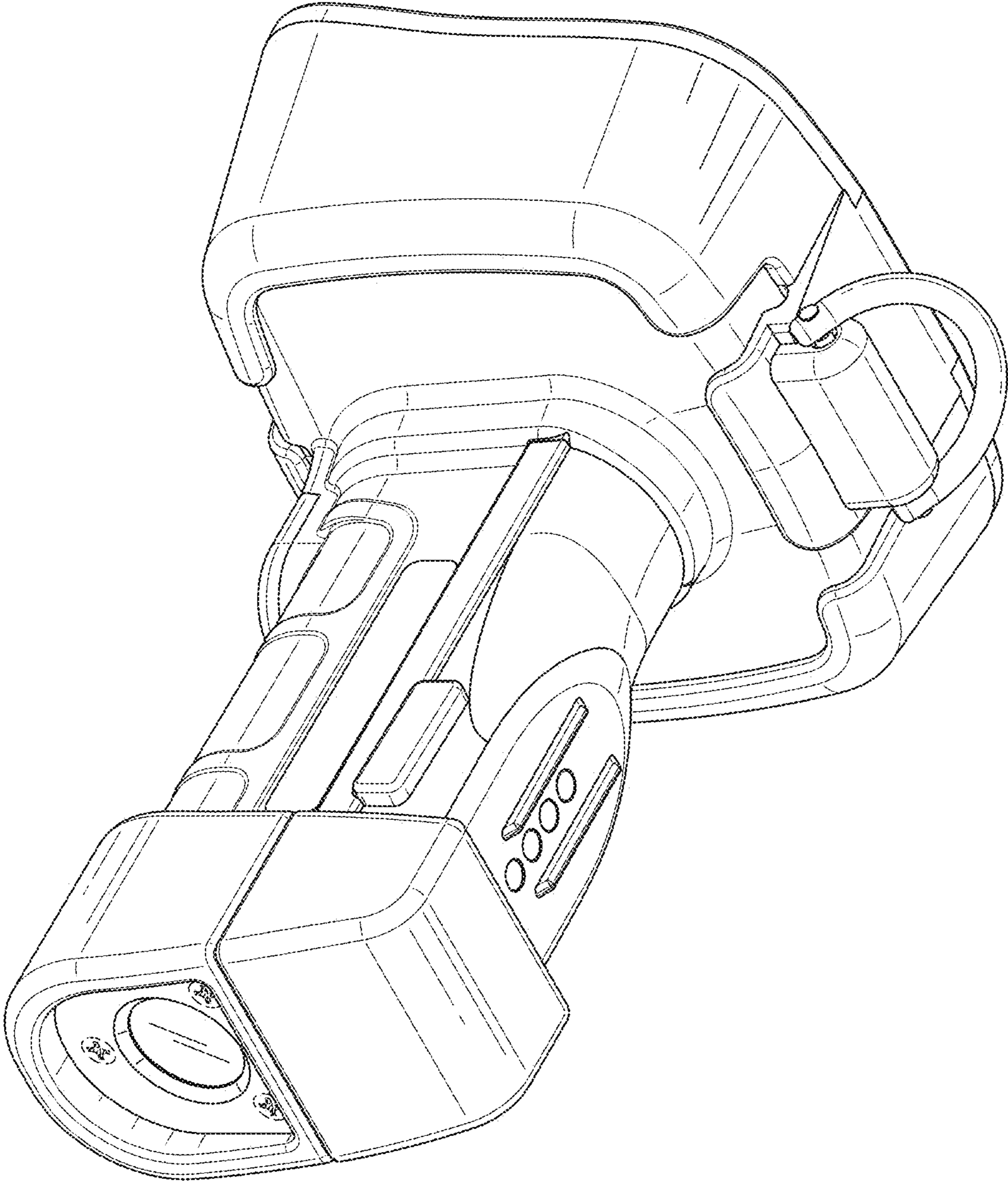


FIG. 2

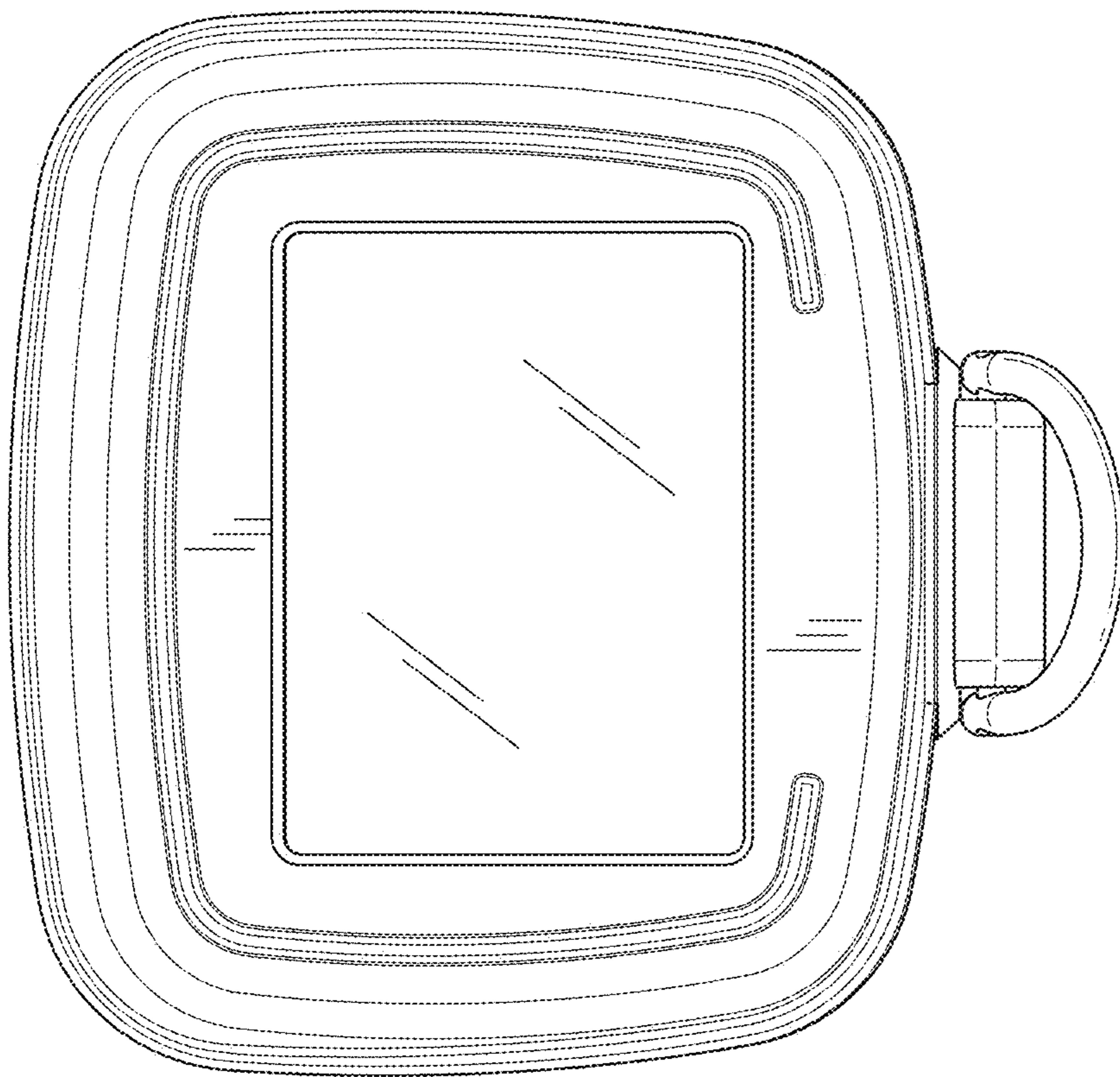


FIG. 3

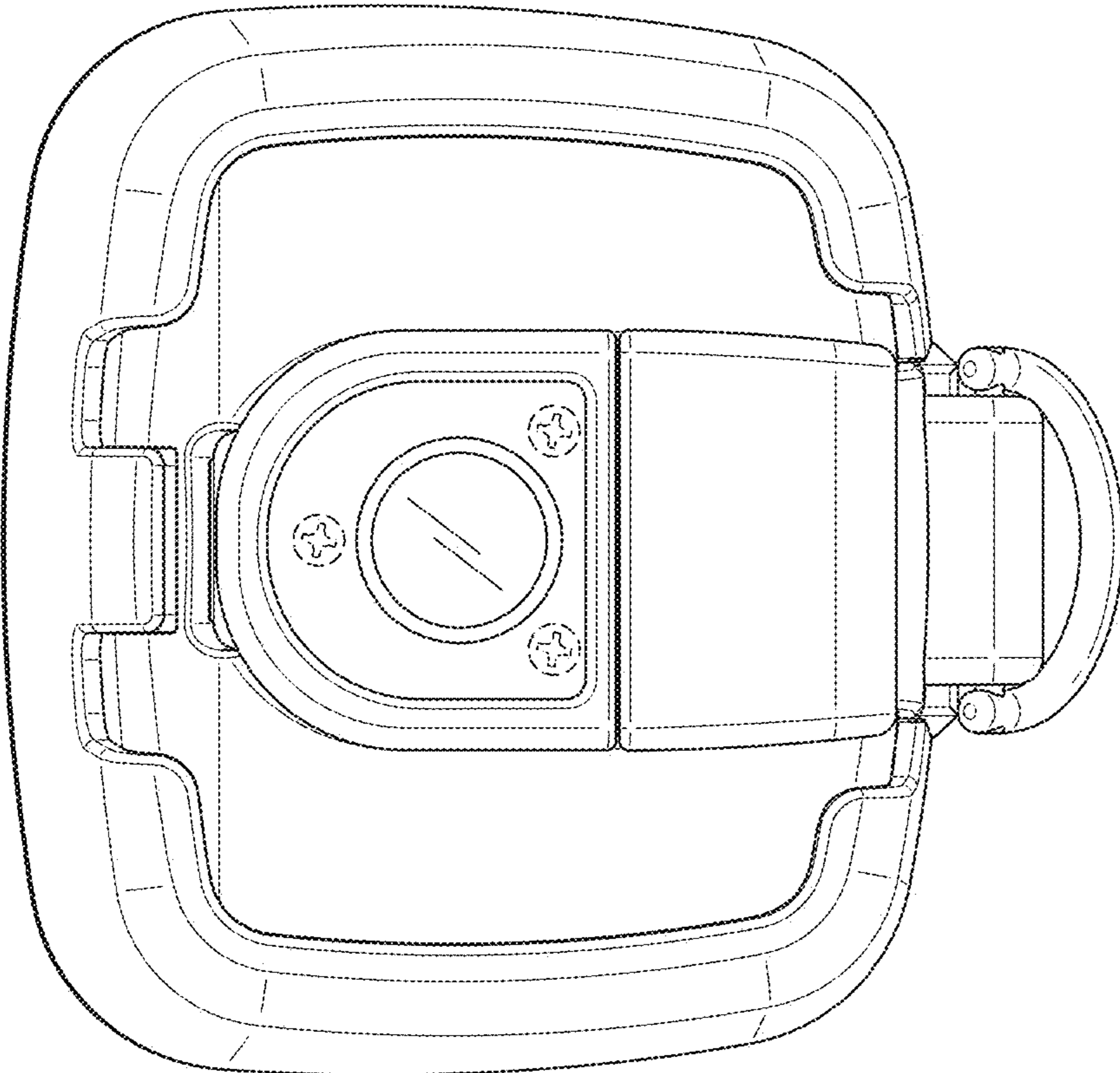


FIG. 4

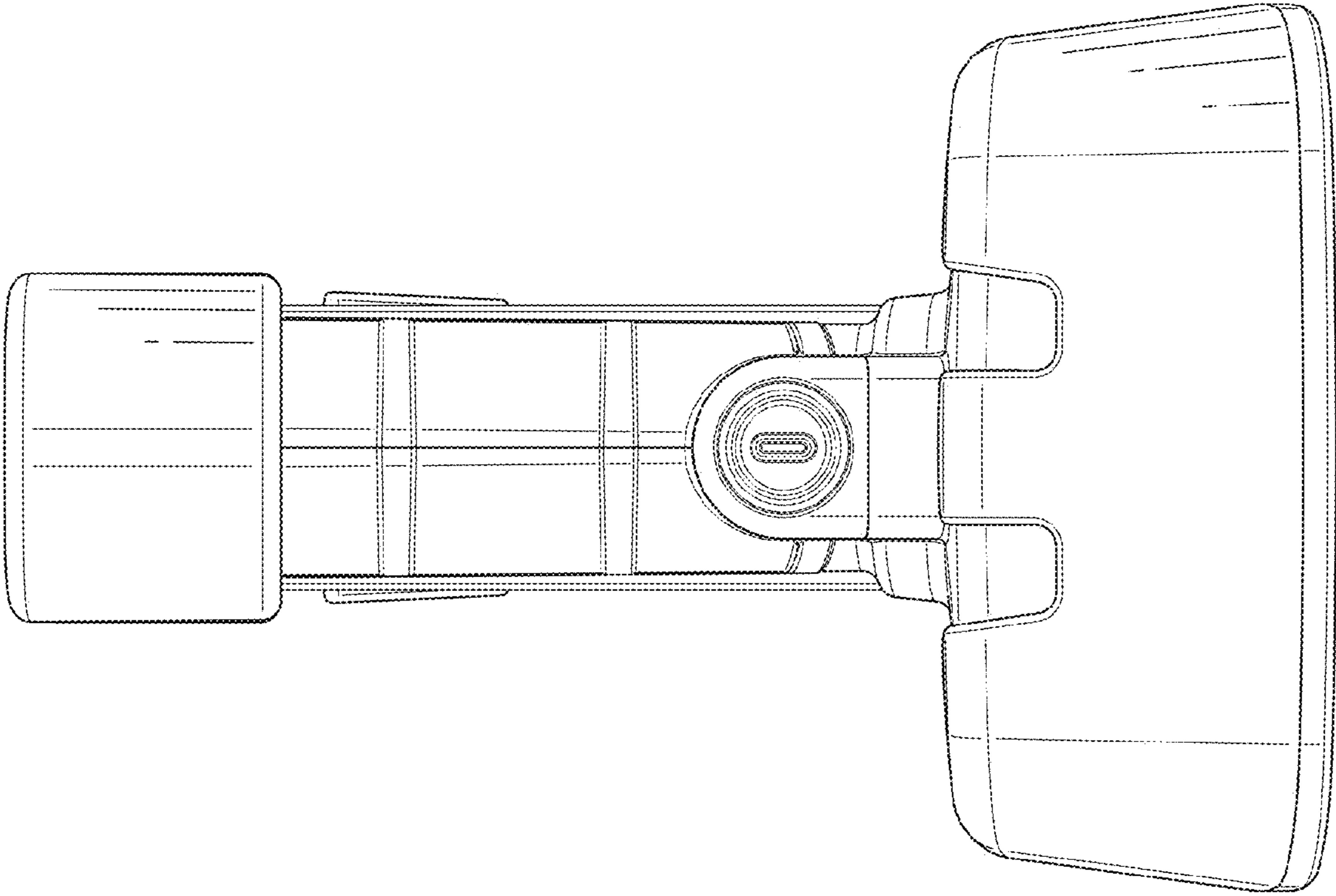


FIG. 5

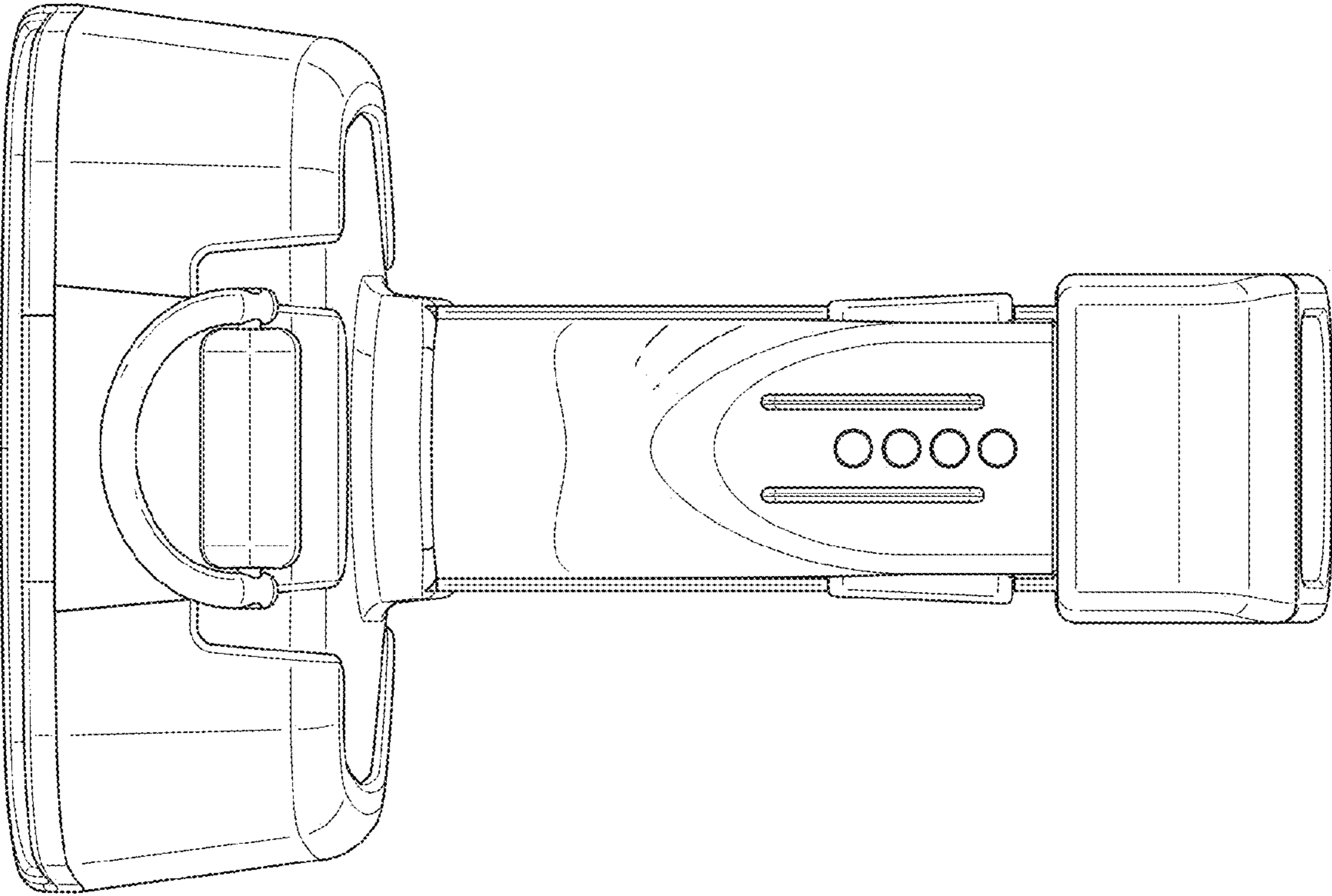


FIG. 6



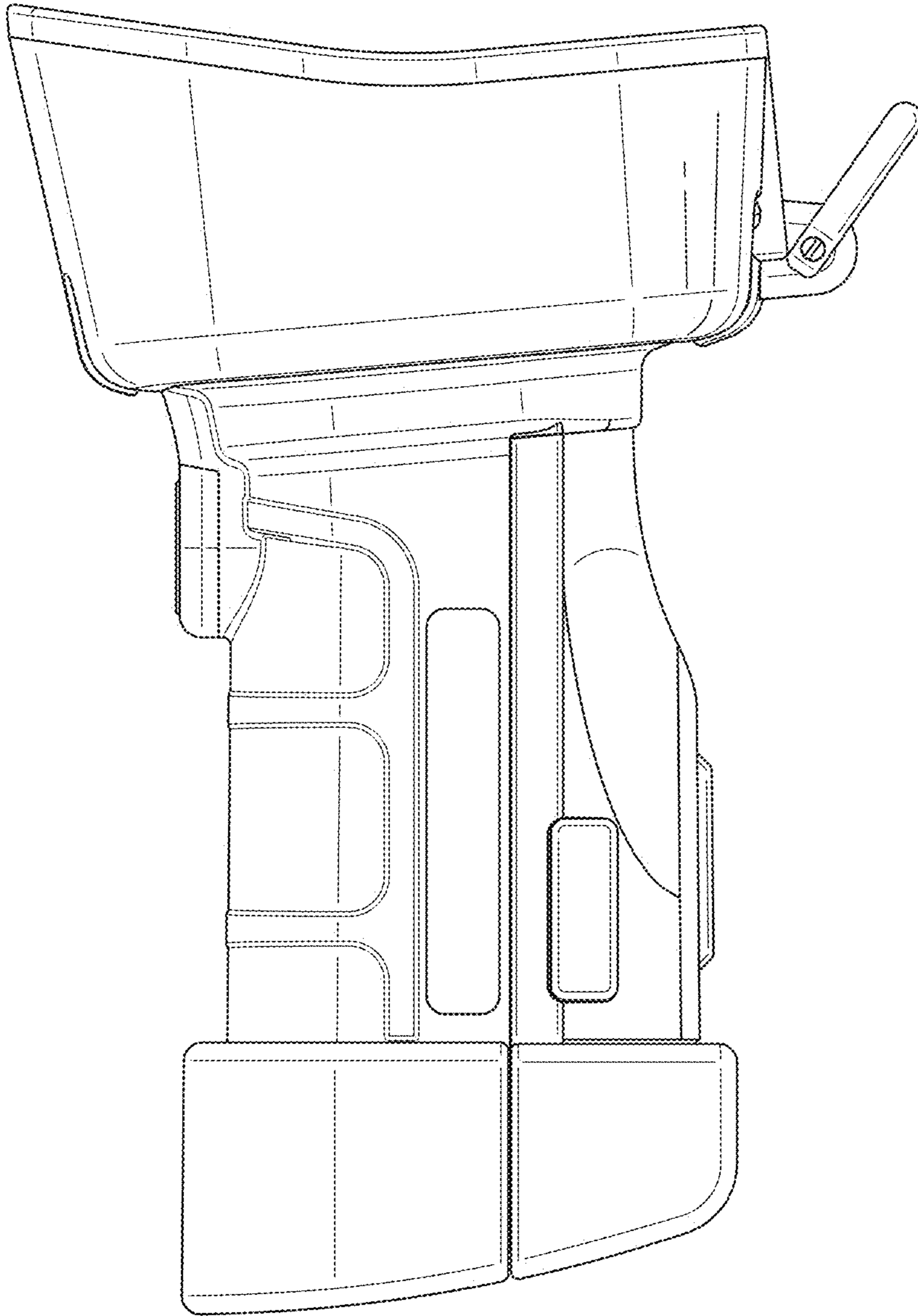


FIG. 7

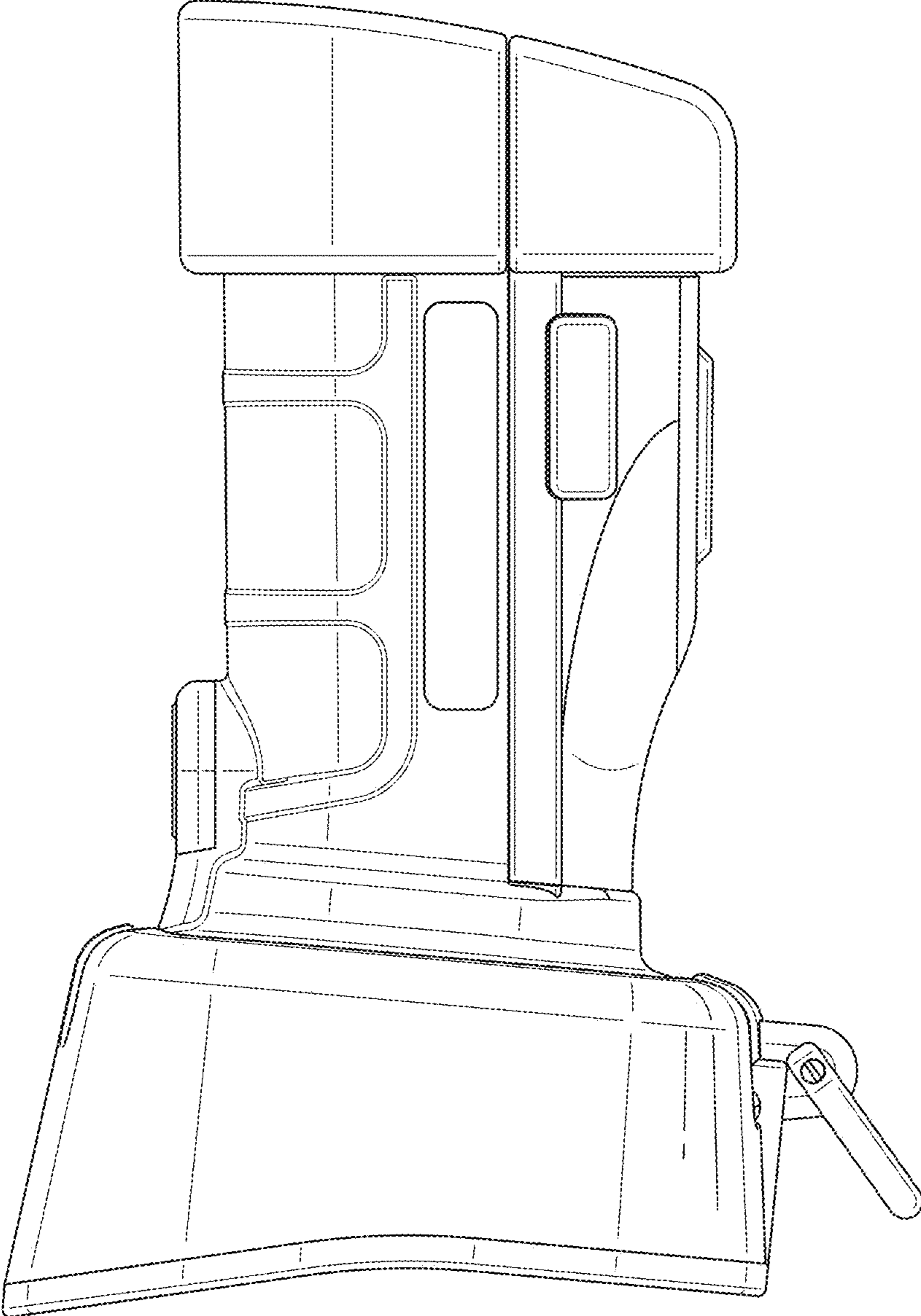


FIG. 8