



US00D972618S

(12) **United States Design Patent** (10) **Patent No.:** **US D972,618 S**
Li (45) **Date of Patent:** **** Dec. 13, 2022**

(54) **NETWORK CAMERA**

D871,484 S * 12/2019 Wang D16/203
D912,124 S * 3/2021 Wigney D16/218
D940,226 S * 1/2022 Wang D16/203

(71) Applicant: **SHENZHEN ANYUANWEI TECHNOLOGY CO., LTD**, Shenzhen (CN)

FOREIGN PATENT DOCUMENTS

(72) Inventor: **Wenjun Li**, Shenzhen (CN)

CN 302373085 * 3/2013
CN 306351847 * 2/2021
CN 306580454 * 6/2021
CN 307003684 * 8/2021

(73) Assignee: **SHENZHEN ANYUANWEI TECHNOLOGY CO., LTD**, Shenzhen (CN)

OTHER PUBLICATIONS

(**) Term: **15 Years**

Home Depot, Kami Wireless Outdoor Bullet Camera. earliest pictured review May 29, 2020, [online], [site visited Jun. 30, 2022]. Available from Internet, <URL:https://www.homedepot.com/p/Kami-Wireless-Outdoor-Bullet-Security-Camera-W102/312837920#overlay> (Year: 2020).*

(21) Appl. No.: **29/769,030**

(22) Filed: **Feb. 3, 2021**

(Continued)

(51) **LOC (13) Cl.** **16-01**

(52) **U.S. Cl.**
USPC **D16/203**

Primary Examiner — Sanjeev Paul
Assistant Examiner — Breana Copeland

(58) **Field of Classification Search**
USPC D16/200, 202, 203, 214; D10/106.2, D10/229.2; D14/203.1, 204, 317, 209.1, D14/474, 496
CPC .. H04N 2101/00; H04N 1/00005; H04N 7/18; G03B 17/02; G03B 19/04; G03B 17/56

(57) **CLAIM**

The ornamental design for a network camera, as shown and described.

See application file for complete search history.

DESCRIPTION

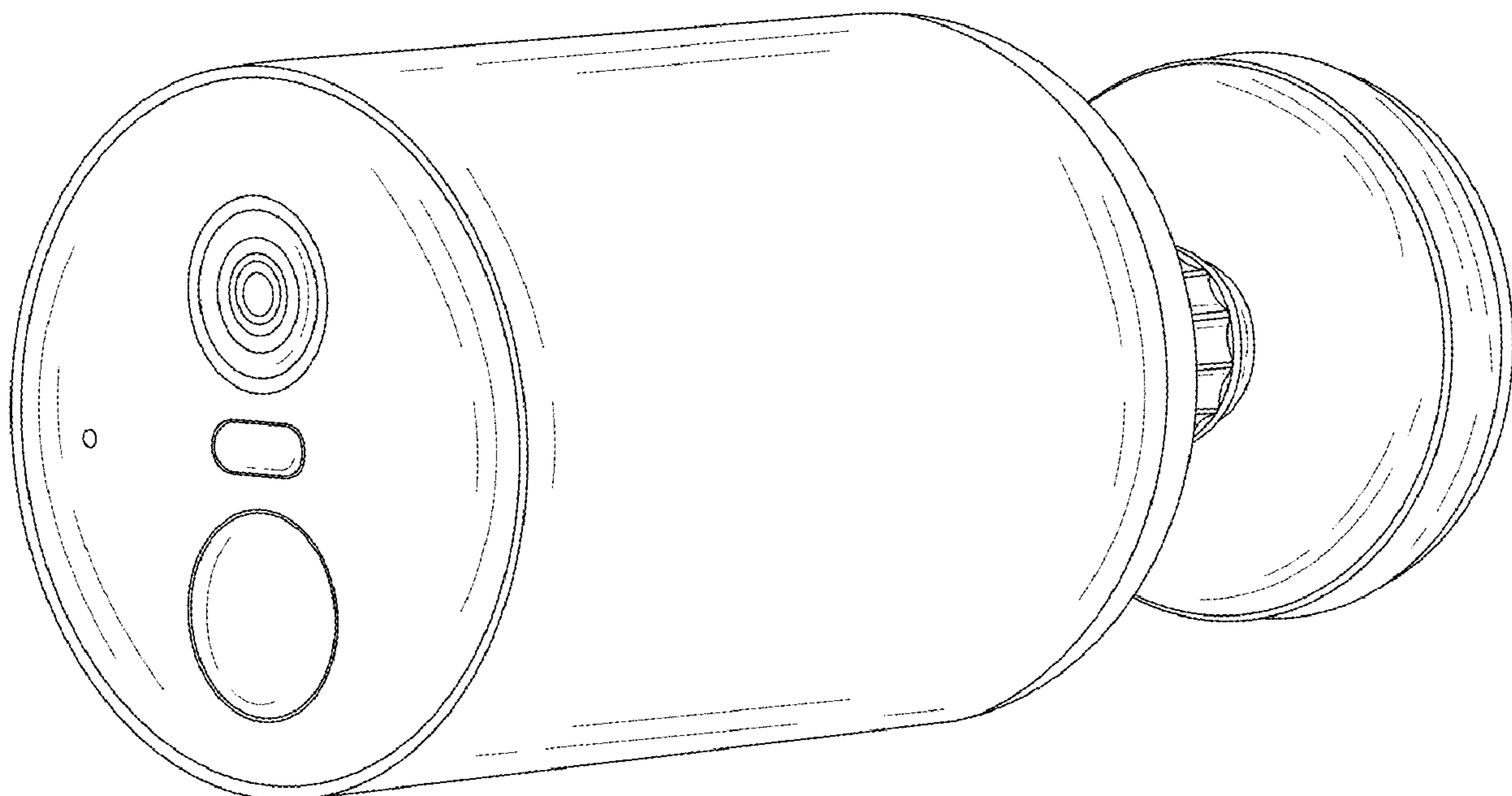
FIG. 1 is a perspective view of a network camera showing my new design;
FIG. 2 is a front elevational view thereof;
FIG. 3 is a rear elevational view thereof;
FIG. 4 is a left side elevational view thereof;
FIG. 5 is a right side elevational view thereof;
FIG. 6 is a top plan view thereof; and,
FIG. 7 is a bottom plan view thereof.
The broken lines in the drawings depict portions of the network camera and form no part of the claimed design.

(56) **References Cited**

U.S. PATENT DOCUMENTS

D696,329 S * 12/2013 Horiki D16/203
D721,115 S * 1/2015 Park D16/203
D810,170 S * 2/2018 Geng D16/203
D823,369 S * 7/2018 Wang D16/203
D827,691 S * 9/2018 Zhong D16/203
D829,802 S * 10/2018 Park D16/203
D832,329 S * 10/2018 Li D16/203

1 Claim, 7 Drawing Sheets



(56)

References Cited

OTHER PUBLICATIONS

Amazon, AlkiVision, earliest pictured review Jul. 3, 2021, [online], [site visited Jun. 30, 2022]. Available from Internet, <URL:https://www.amazon.com/Security-Waterproof-Rechargeable-Surveillance-Detection/dp/B092YVSL2Q/ref=cm_cr_arp_d_product_top?ie=UTF8> (Year: 2021).*

NewEgg, Reolink Outdoor Security Camera, earliest date available Feb. 19, 2019, [online], [site visited Jun. 30, 2022]. Available from Internet, <URL:https://www.newegg.com/reolink-argus-eco-solar-panel-bullet-camera/p/2P0-0059-00079?Description=outdoor> (Year: 2019).*

Google Image Search. [online], [site visited Jun. 30, 2022]. Available from Internet, <URL: https://www.google.com/search?q=outdoor+mounted+network+camera&rlz=1C1GCEA_enUS1001US1001&source=lnms&tbm=isch&sa=X&ved=2ahUKEwi62p-R-tX4AhX9FFkFHxm_CJEQ_AUoAnoECAEQBA&biw=1920&bih=937&dpr=1> (Year: 2022).*

* cited by examiner

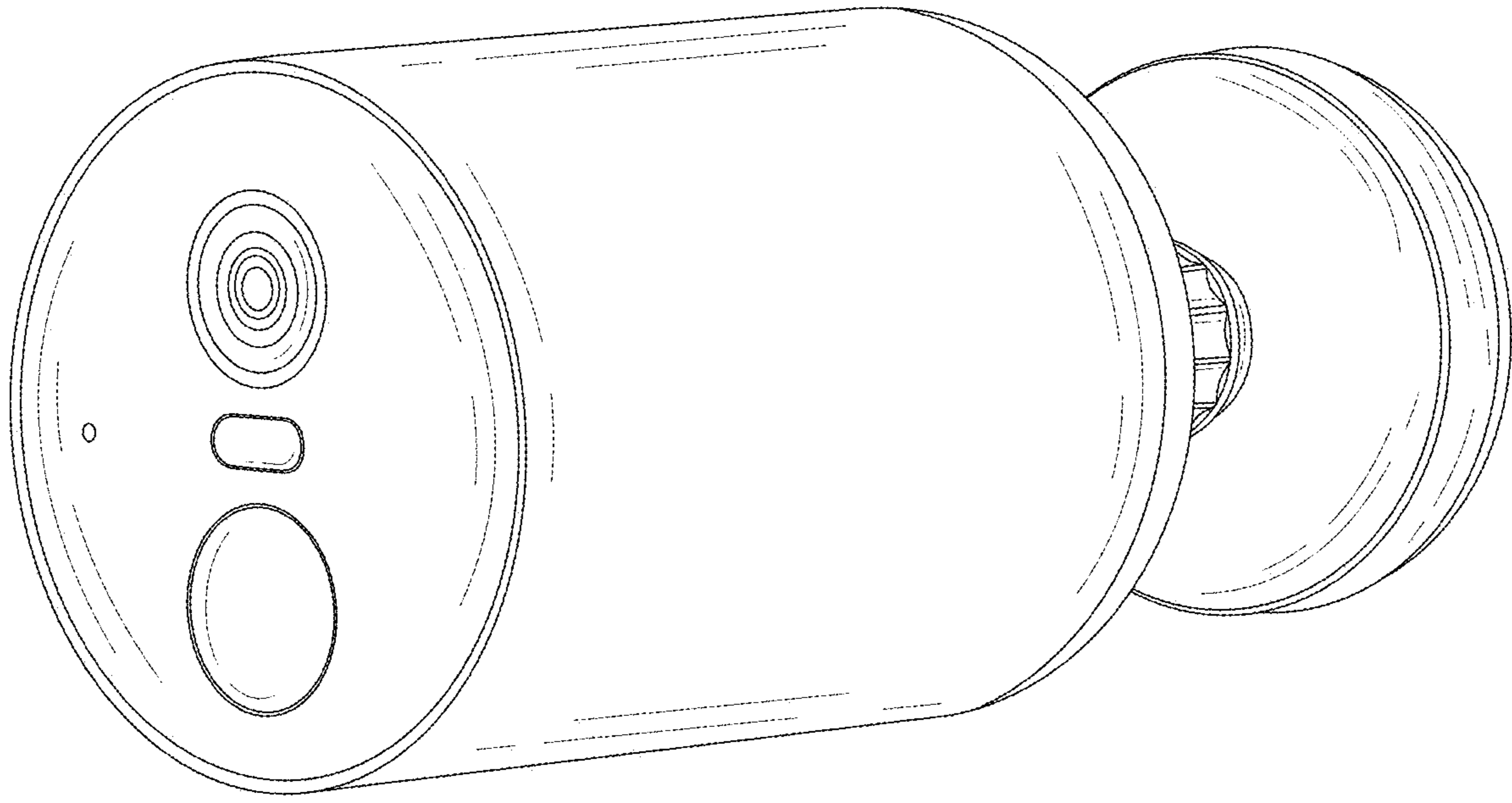


FIG. 1

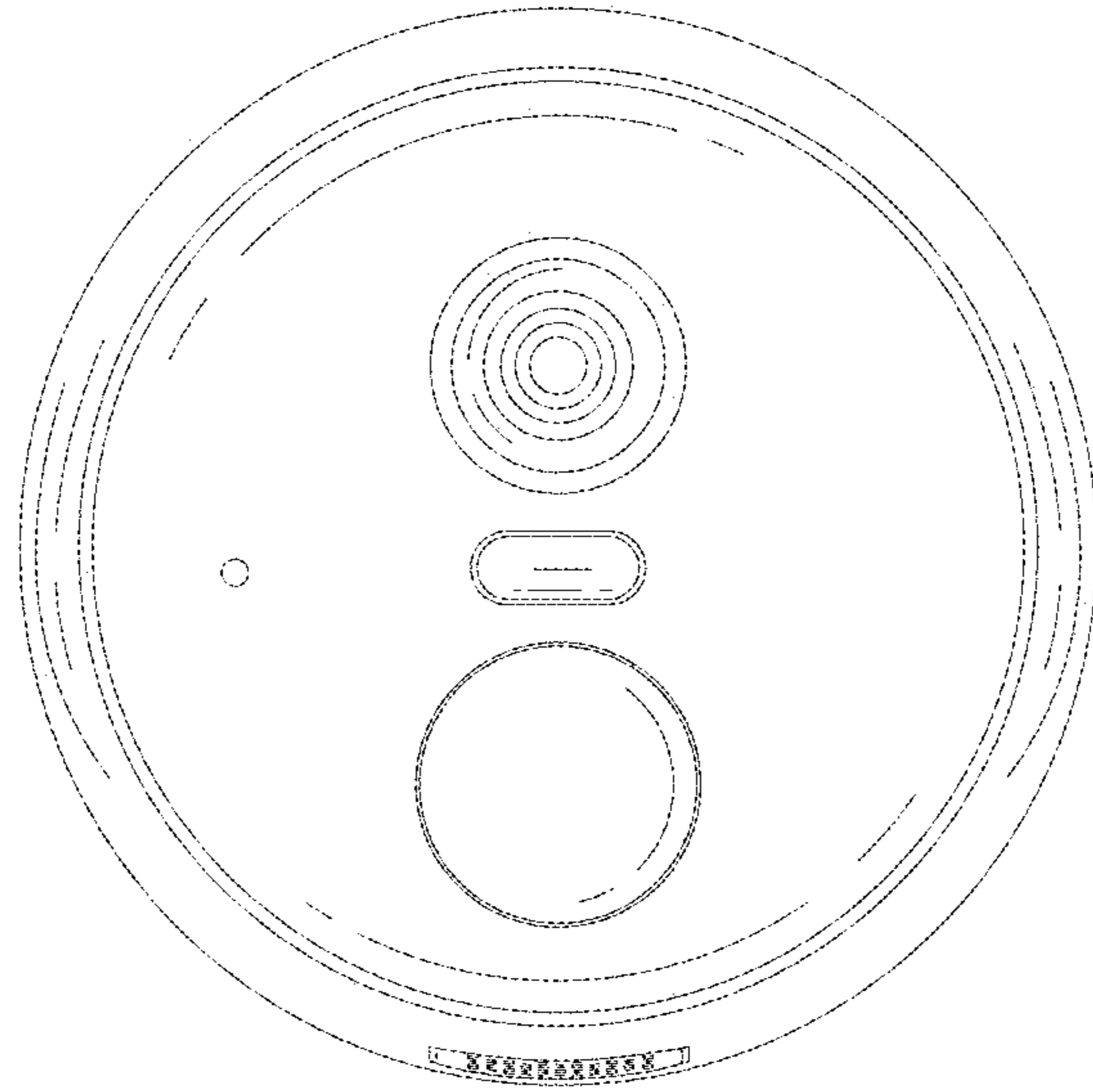


FIG. 2

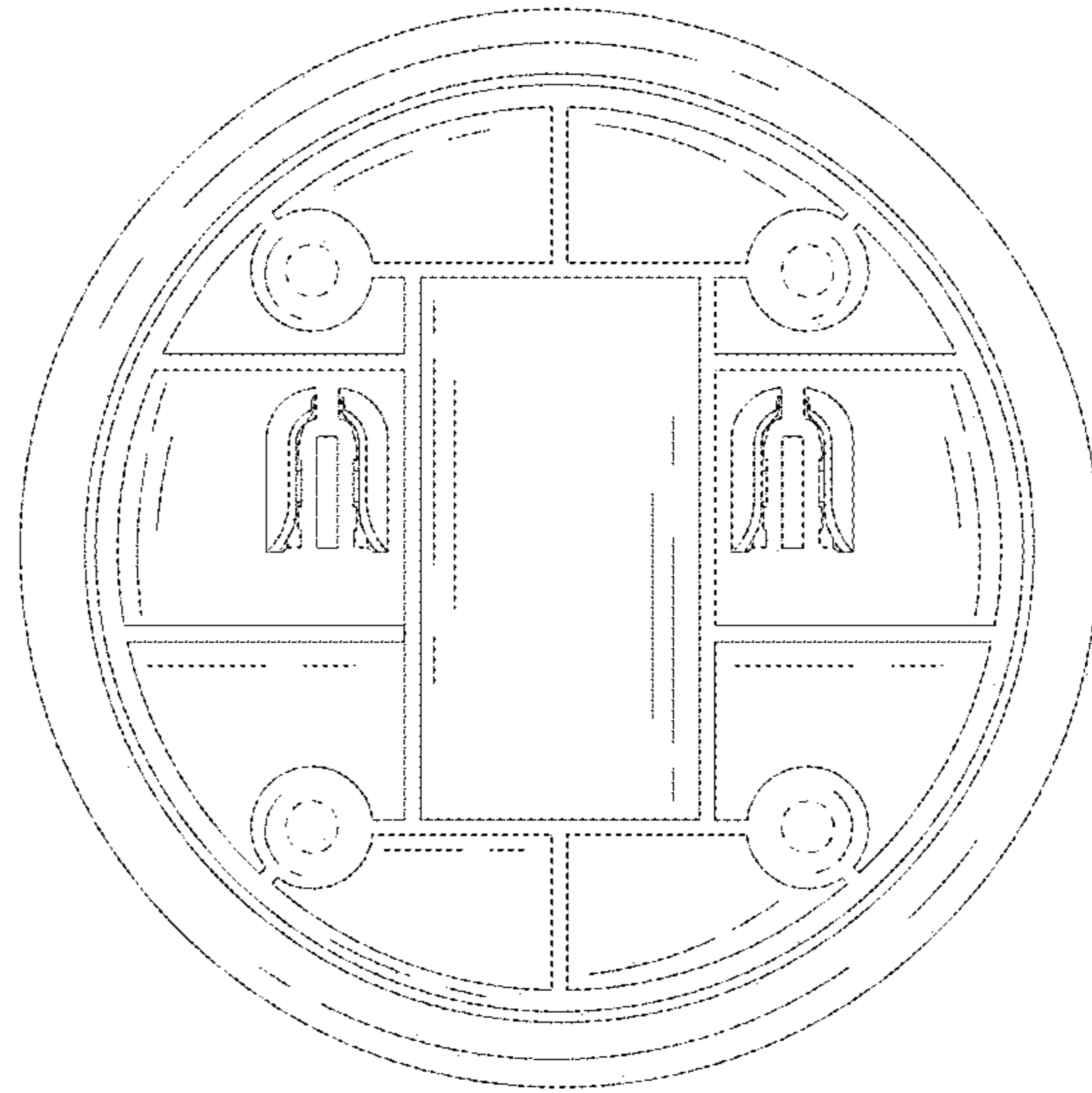


FIG. 3

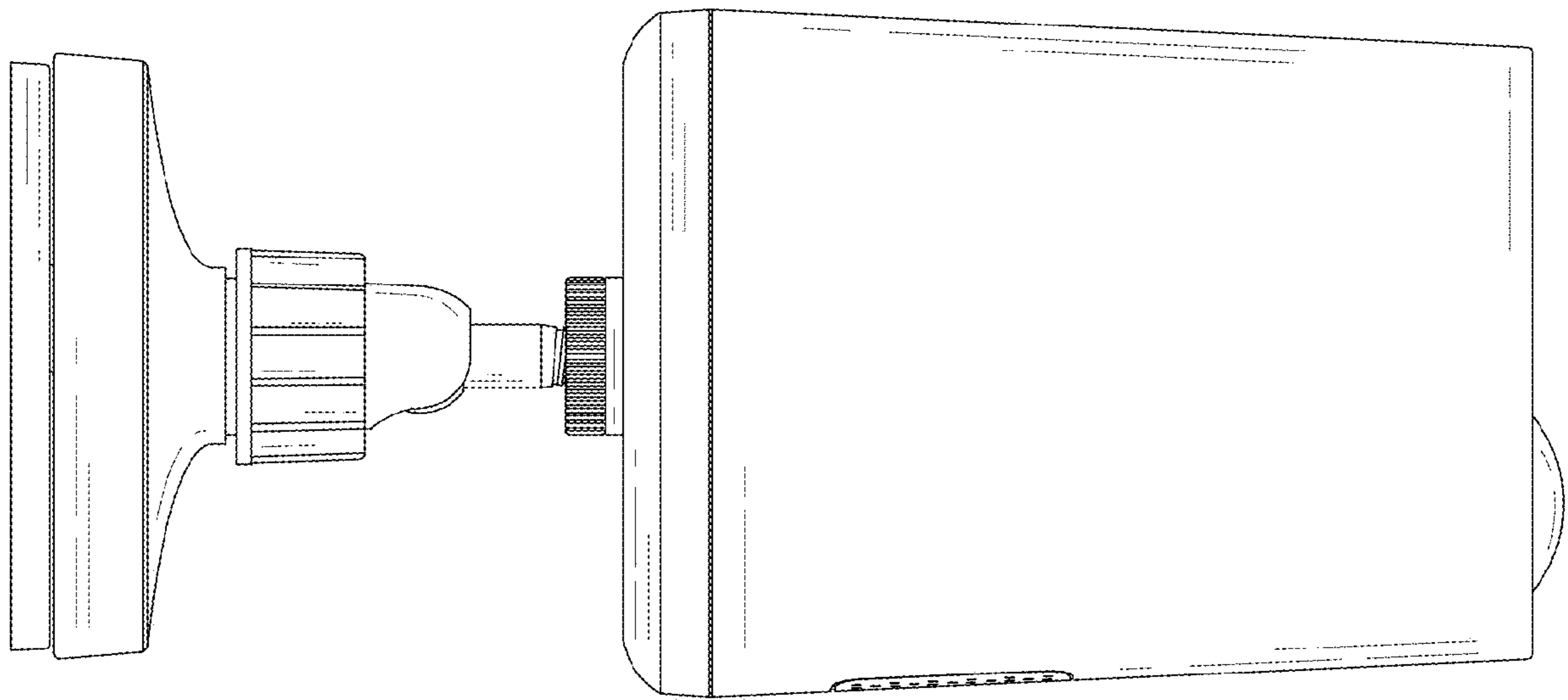


FIG. 4

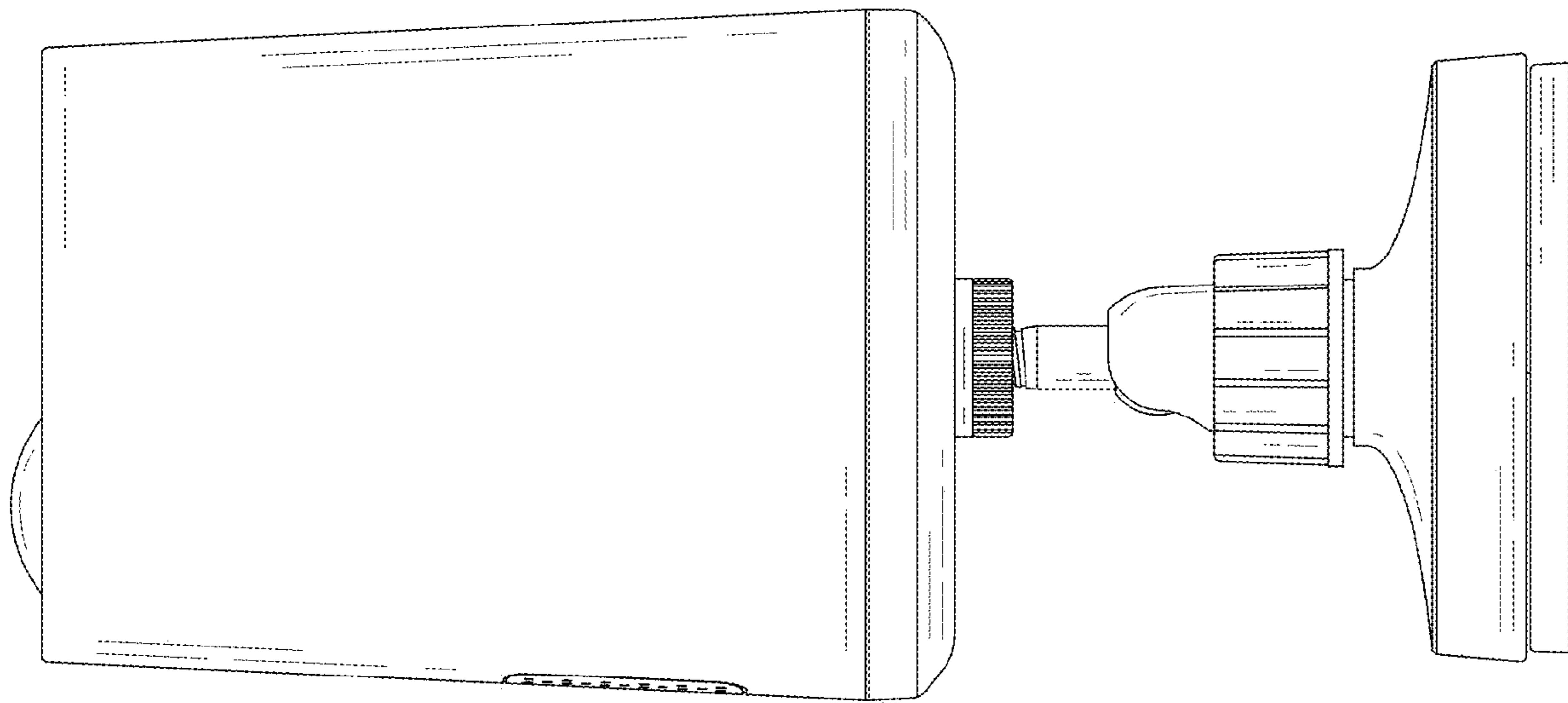


FIG. 5

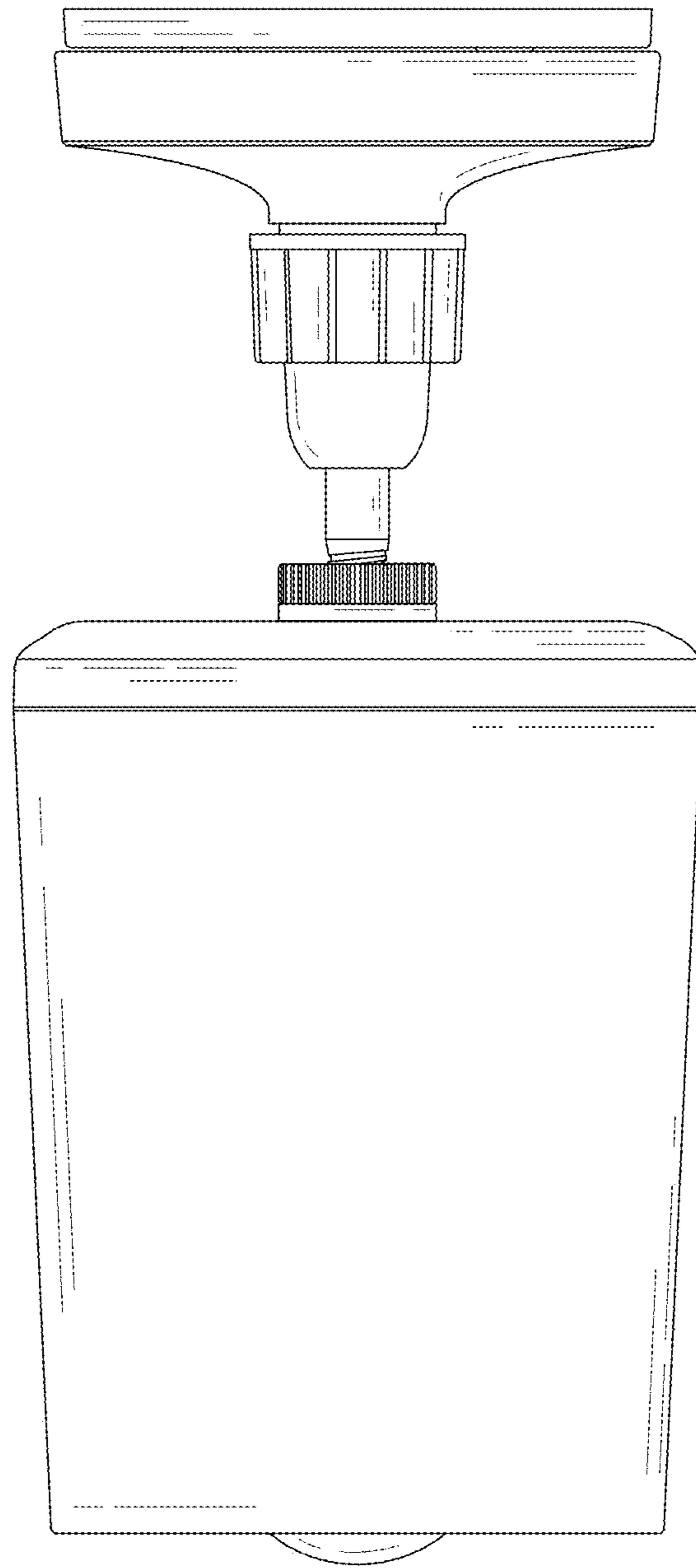


FIG. 6

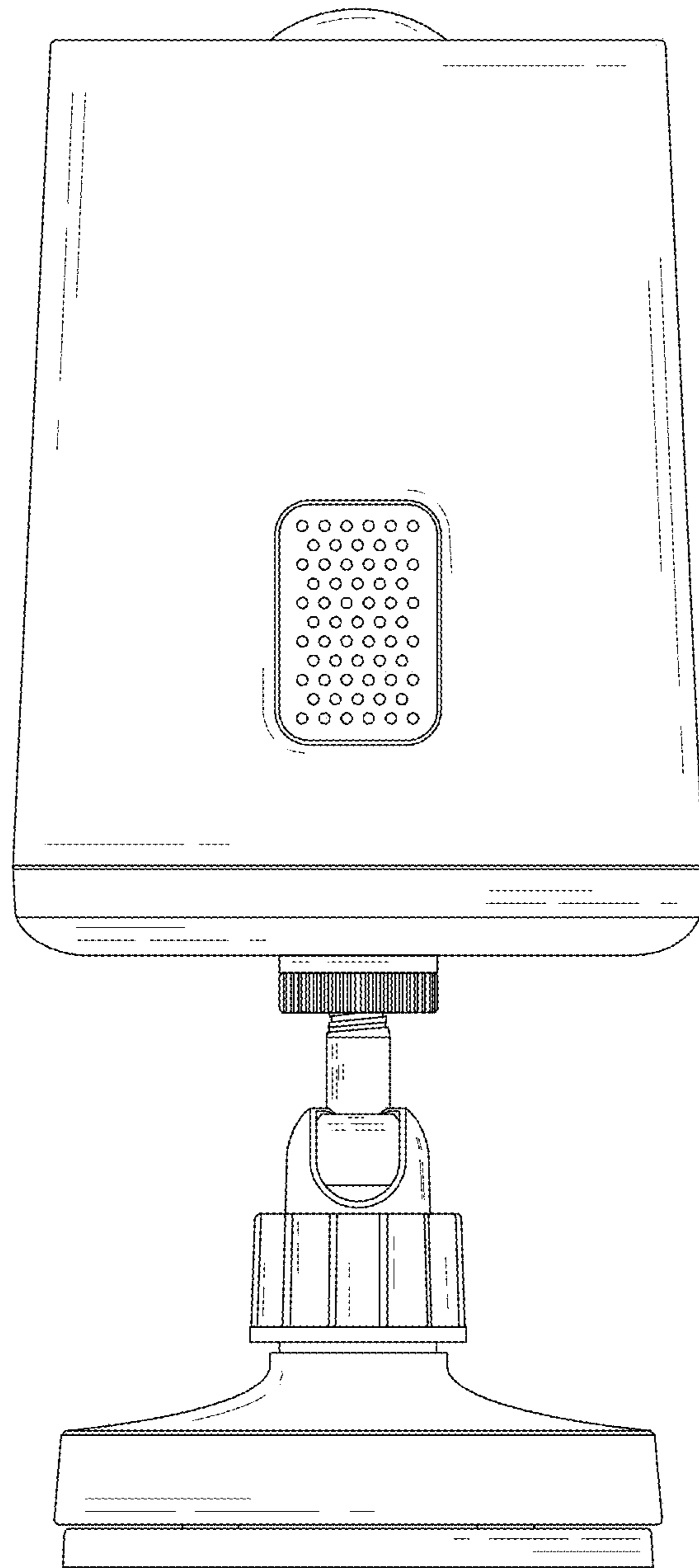


FIG. 7