



US00D972617S

(12) **United States Design Patent**  
**Liu**

(10) **Patent No.:** **US D972,617 S**  
(45) **Date of Patent:** **\*\* Dec. 13, 2022**

(54) **WEBCAM**

(71) Applicant: **SHENZHEN IFROO TECHNOLOGY CO., LTD.**, Shenzhen (CN)

(72) Inventor: **Zhongyong Liu**, Shenzhen (CN)

(73) Assignee: **SHENZHEN IFROO TECHNOLOGY CO., LTD.**, Shenzhen (CN)

(\*\*) Term: **15 Years**

(21) Appl. No.: **29/787,610**

(22) Filed: **Jun. 8, 2021**

(51) **LOC (13) Cl.** ..... **16-01**

(52) **U.S. Cl.**  
USPC ..... **D16/202**

(58) **Field of Classification Search**  
USPC ..... D16/200, 202–203, 208, 218, 219, 242;  
248/187.1; 348/14.01–14.6, 143, 148,  
348/151, 373–376; 396/419, 427, 428,  
396/535, 539–541  
CPC ..... G03B 17/02; G03B 19/04; G03B 17/56;  
G03B 17/04; G03B 15/03; H04N  
2101/00; H04N 2007/145; H04N 7/141;  
H04N 7/142; H04N 7/147; H04N 7/148;  
H04N 7/15; H04N 7/152  
See application file for complete search history.

(56) **References Cited**

**U.S. PATENT DOCUMENTS**

D632,718 S \* 2/2011 Tzeng ..... D16/202  
D641,388 S \* 7/2011 Shih ..... D16/202

D654,942 S \* 2/2012 Khamsepoor ..... D16/202  
D664,579 S \* 7/2012 Tzeng ..... D16/202  
D675,660 S \* 2/2013 Su ..... D16/202  
D680,144 S \* 4/2013 Tsai ..... D16/202  
D682,332 S \* 5/2013 Wang ..... D16/202  
D709,117 S \* 7/2014 Gan ..... D16/202  
D849,089 S \* 5/2019 Lu ..... D16/202  
D870,790 S \* 12/2019 Depay ..... D16/202  
D901,570 S \* 11/2020 Hao ..... D16/202  
D910,730 S \* 2/2021 Hao ..... D16/202  
D931,927 S \* 9/2021 Russo ..... D16/202

\* cited by examiner

*Primary Examiner* — Ramzi Almatrahi

(74) *Attorney, Agent, or Firm* — Nitin Kaushik

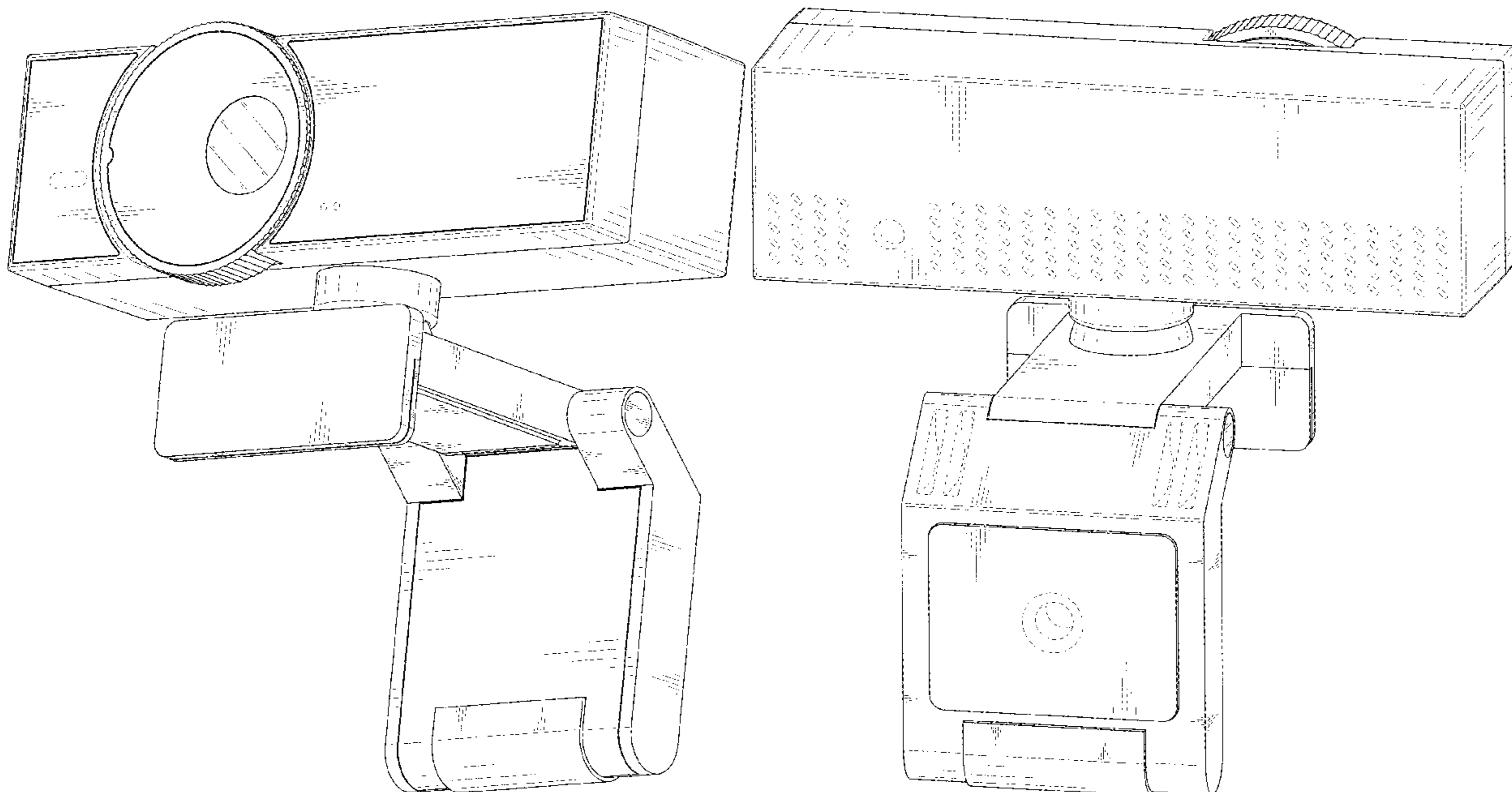
(57) **CLAIM**

The ornamental design for a webcam, as shown and described.

**DESCRIPTION**

FIG. 1 is a bottom, front and right side perspective view of a webcam showing my new design;  
FIG. 2 is a top, rear and left side perspective view thereof;  
FIG. 3 is a front elevational view thereof;  
FIG. 4 is a rear elevational view thereof;  
FIG. 5 is a left side elevational view thereof;  
FIG. 6 is a right side elevational view thereof;  
FIG. 7 is a top plan view thereof; and,  
FIG. 8 is a bottom plan view thereof.  
The broken lines in the drawings depict portions of the webcam that form no part of the claimed design.

**1 Claim, 8 Drawing Sheets**



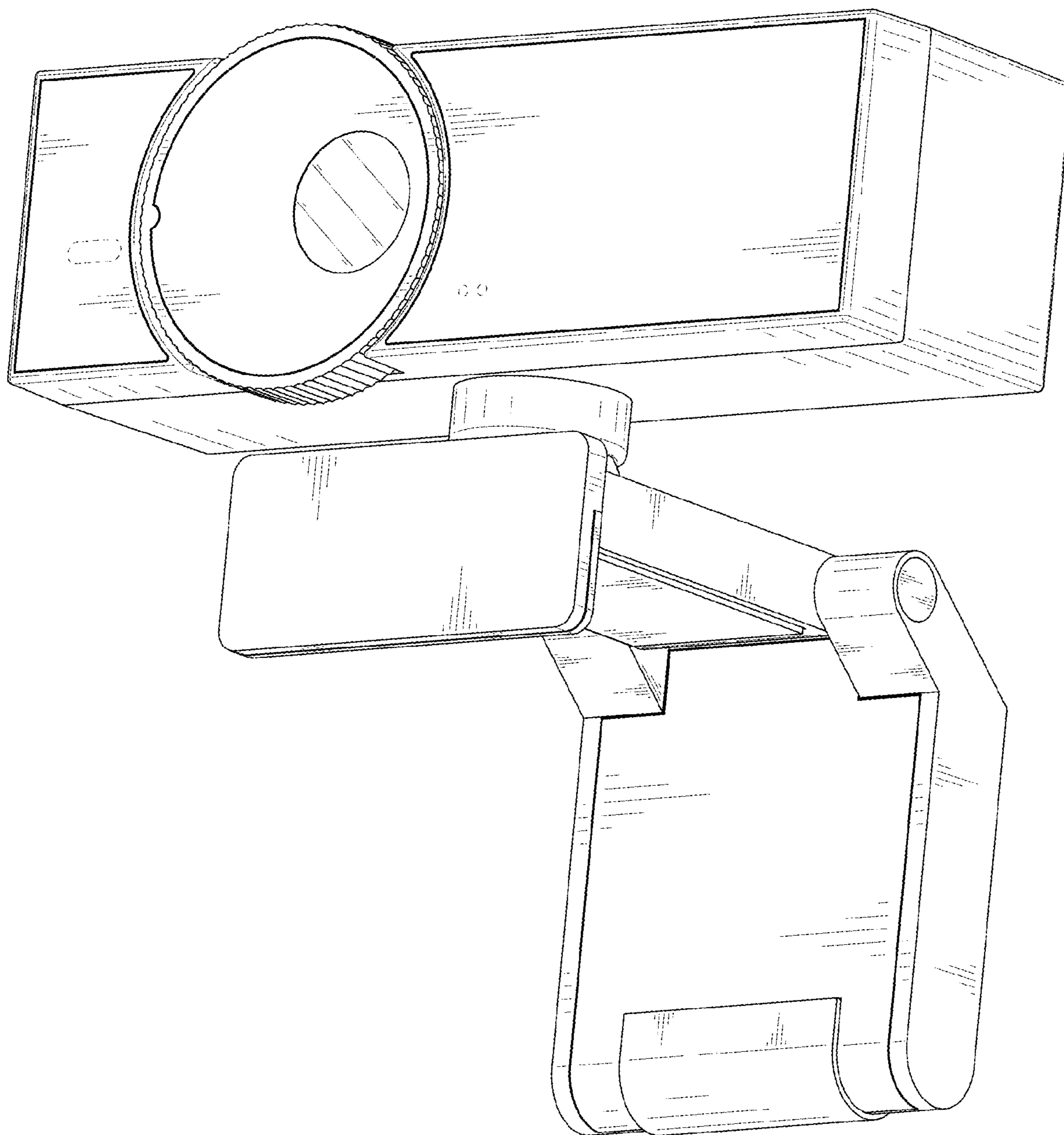


FIG. 1

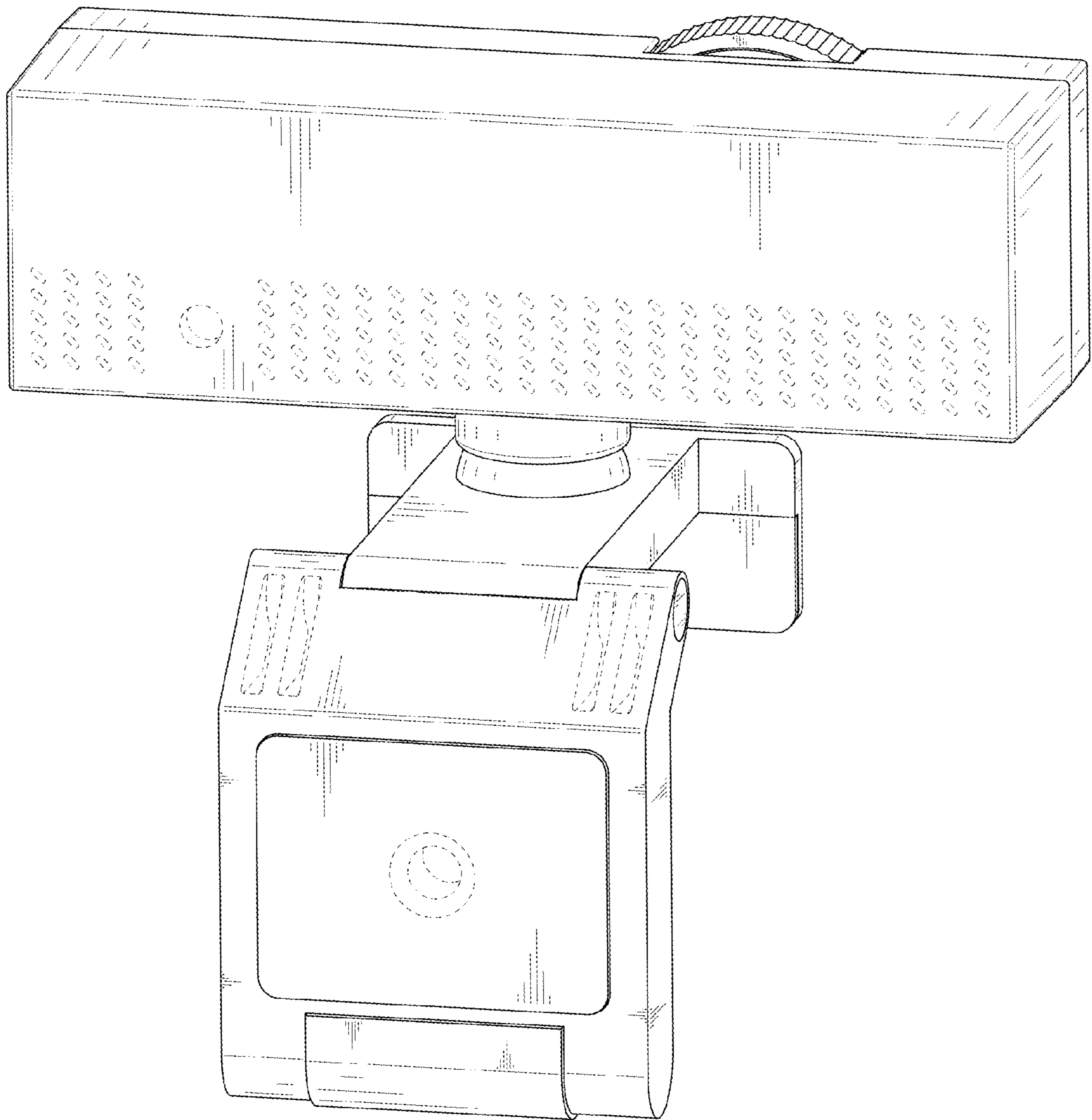


FIG. 2

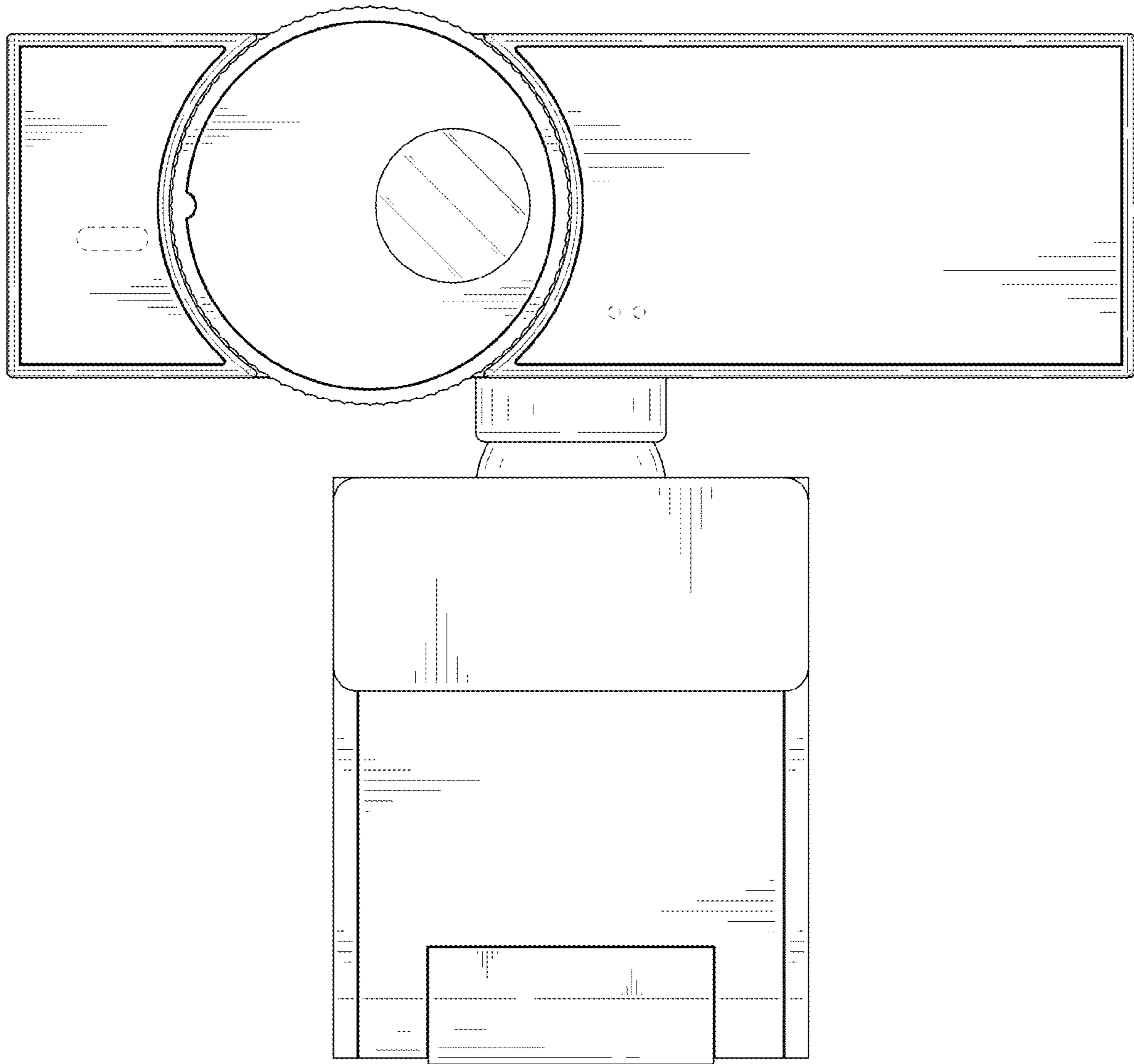


FIG. 3



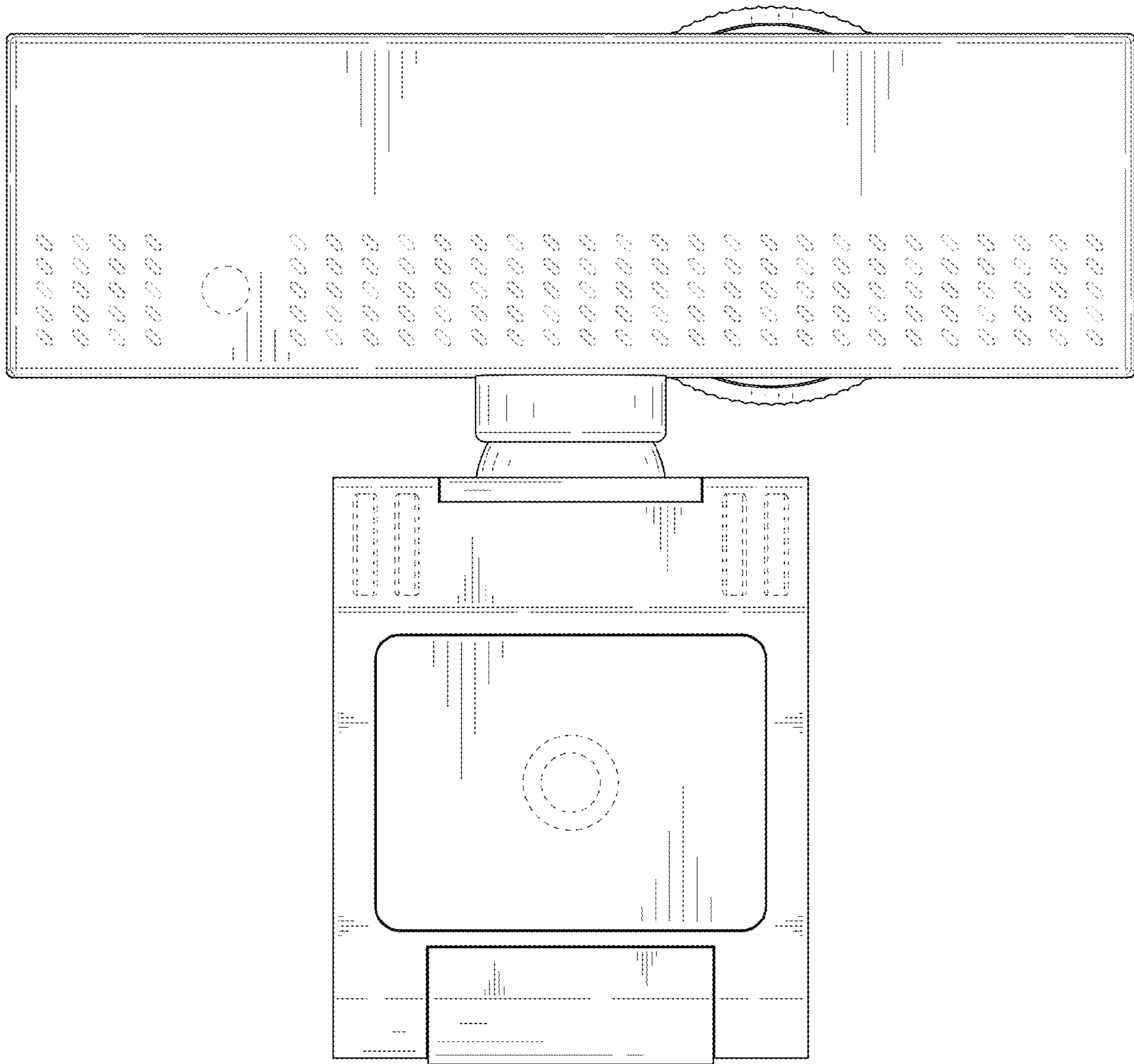


FIG. 4

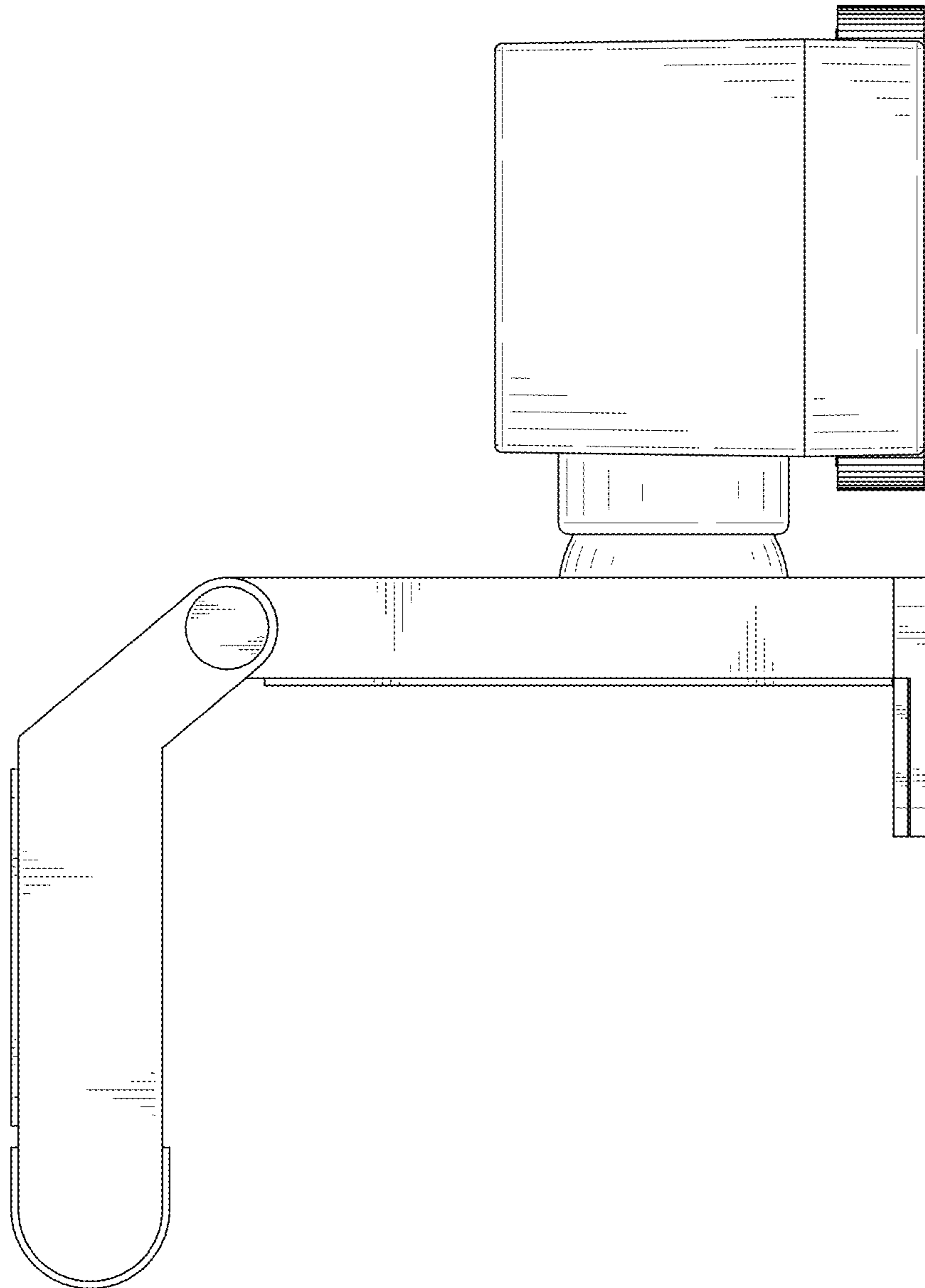


FIG. 5

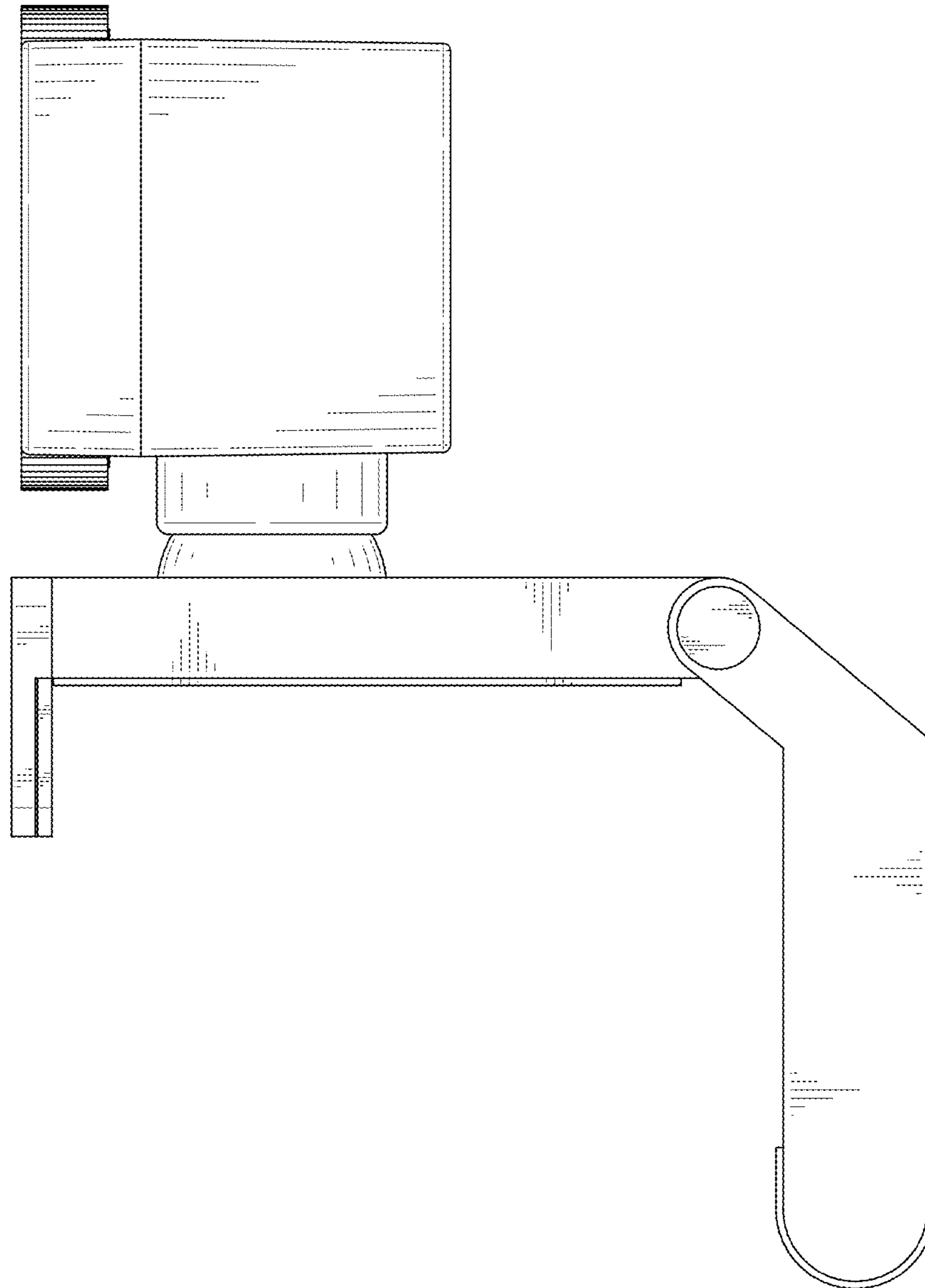


FIG. 6

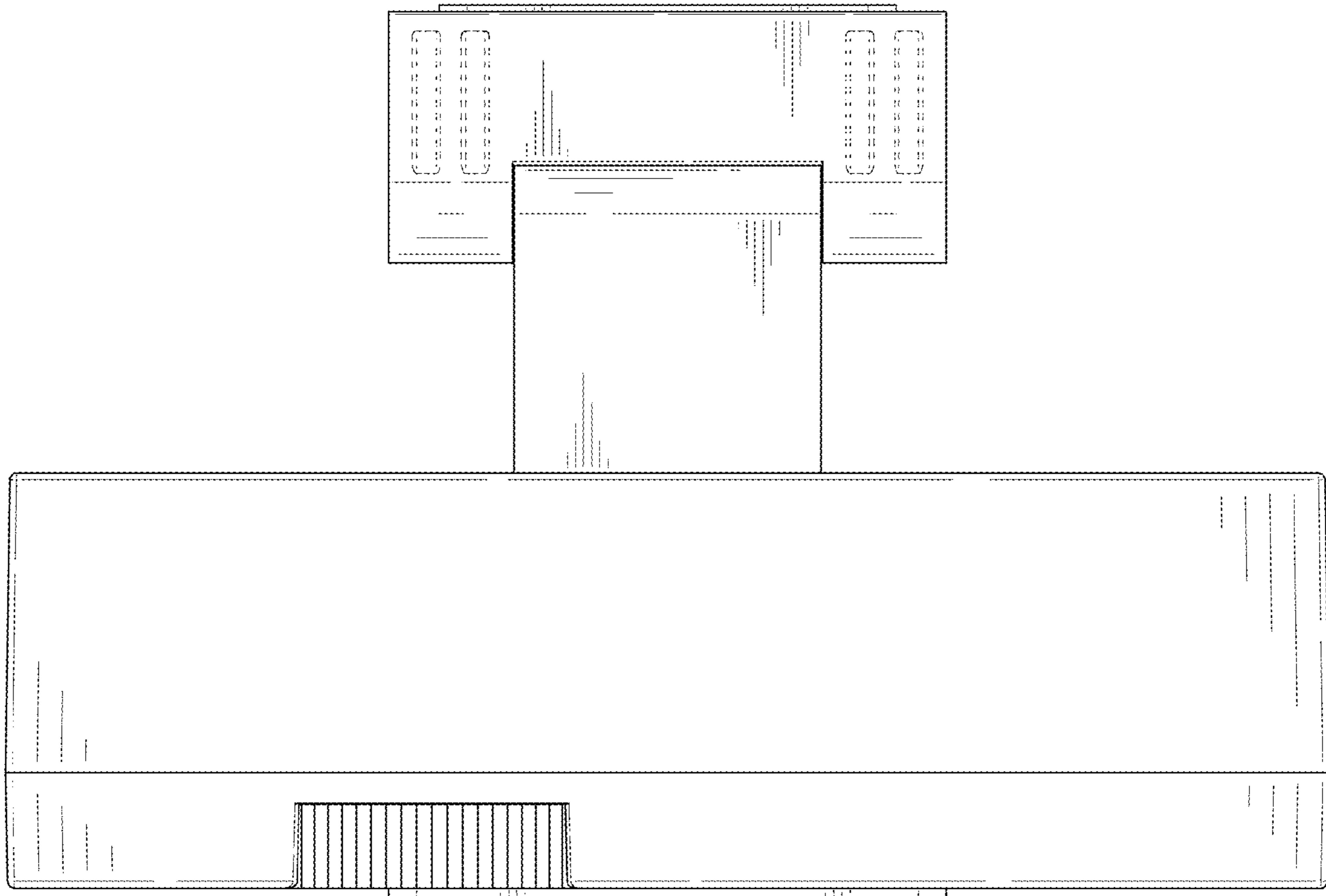


FIG. 7



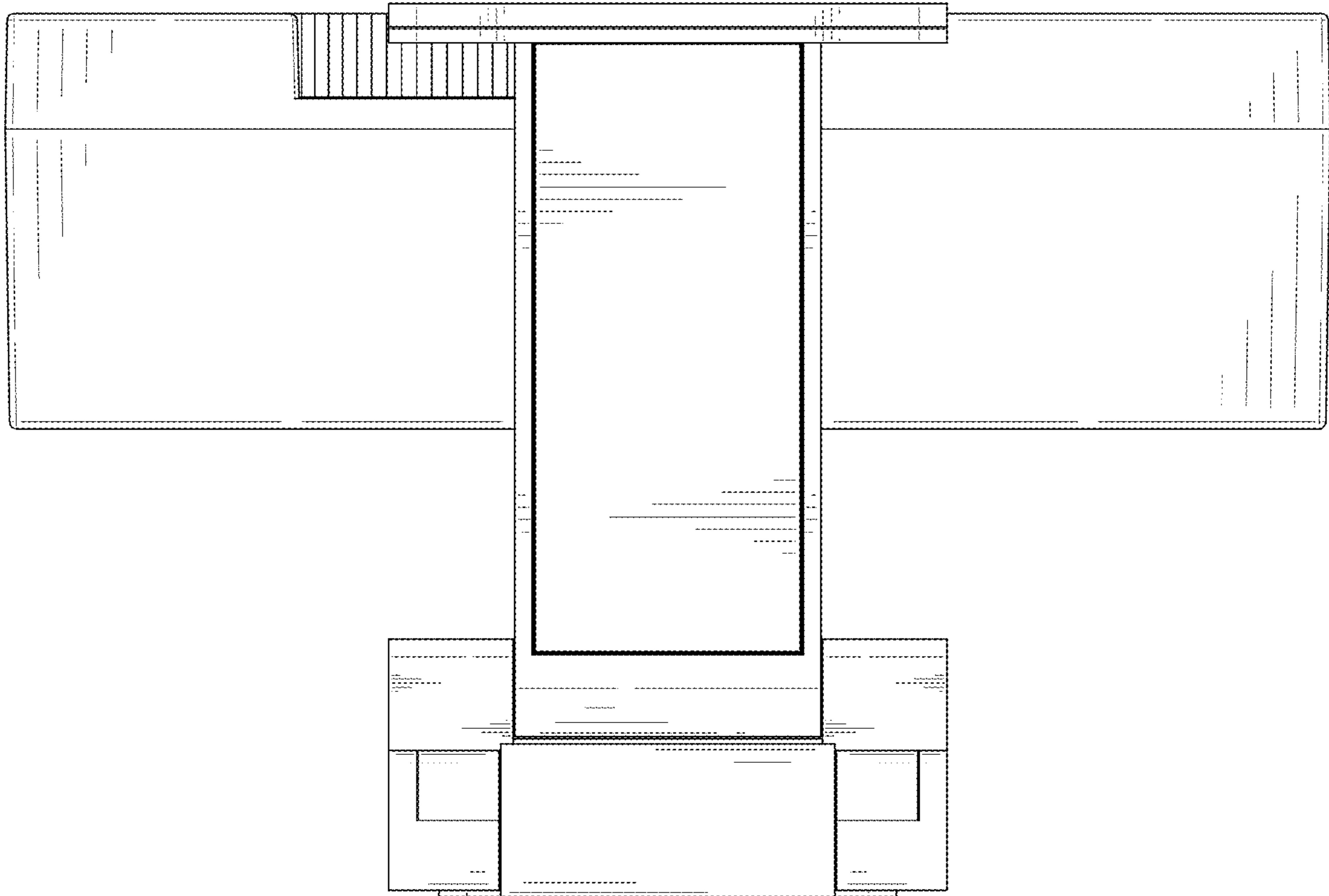


FIG. 8