



US00D972616S

(12) **United States Design Patent** (10) **Patent No.:** **US D972,616 S**
Law et al. (45) **Date of Patent:** **** Dec. 13, 2022**

(54) **PERIPHERAL CAMERA**

FOREIGN PATENT DOCUMENTS

(71) Applicant: **Dell Products L.P.**, Round Rock, TX
(US)

WO 2011087301 A1 7/2011

(72) Inventors: **Celia Law**, Singapore (SG); **Chun Long Goh**, Singapore (SG); **Hang Du**, Singapore (SG); **Wai Mun Lee**, Singapore (SG)

OTHER PUBLICATIONS

“Dell Ultrasharp,” first available Jul. 1, 2021, retrieved Sep. 19, 2022 from <https://www.amazon.com/Dell-UltraSharp-Privacy-Computer-Proximity/dp/B098GXD82C> (Year: 2021).*

(Continued)

(73) Assignee: **Dell Products L.P.**, Round Rock, TX
(US)

Primary Examiner — Maria J. Edwards

Assistant Examiner — Dina Michelle Hoeynck

(**) Term: **15 Years**

(74) *Attorney, Agent, or Firm* — Zagorin Cave LLP;
Robert W. Holland

(21) Appl. No.: **29/784,601**

(22) Filed: **May 20, 2021**

(57) **CLAIM**

(51) **LOC (13) Cl.** **16-01**

We claim the ornamental design for a peripheral camera, as shown and described.

(52) **U.S. Cl.**

USPC **D16/202**

(58) **Field of Classification Search**

USPC D16/200, 202–204, 208, 211, 214, 218,
D16/219, 243; D10/57, 70

CPC G03B 17/00; G03B 17/02; G03B 2217/00;
H04N 5/225

See application file for complete search history.

DESCRIPTION

FIG. 1 is a front perspective view of the peripheral camera comprising the present invention;
FIG. 2 is a front elevation view thereof;
FIG. 3 is a rear elevation view thereof;
FIG. 4 is a right side view thereof;
FIG. 5 is a left side view thereof;
FIG. 6 is a top view thereof;
FIG. 7 is a bottom view thereof;
FIG. 8 is a rear perspective view thereof shown in a first state of use with surrounding environment; and,
FIG. 9 is a lower front perspective view thereof shown in a second state of use with surrounding environment.
Broken lines shown in the drawings illustrate portions of the peripheral camera, and form no part of the claimed design. Additional broken lines shown in FIGS. 8 and 9 illustrate environment which forms no part of the claimed design.

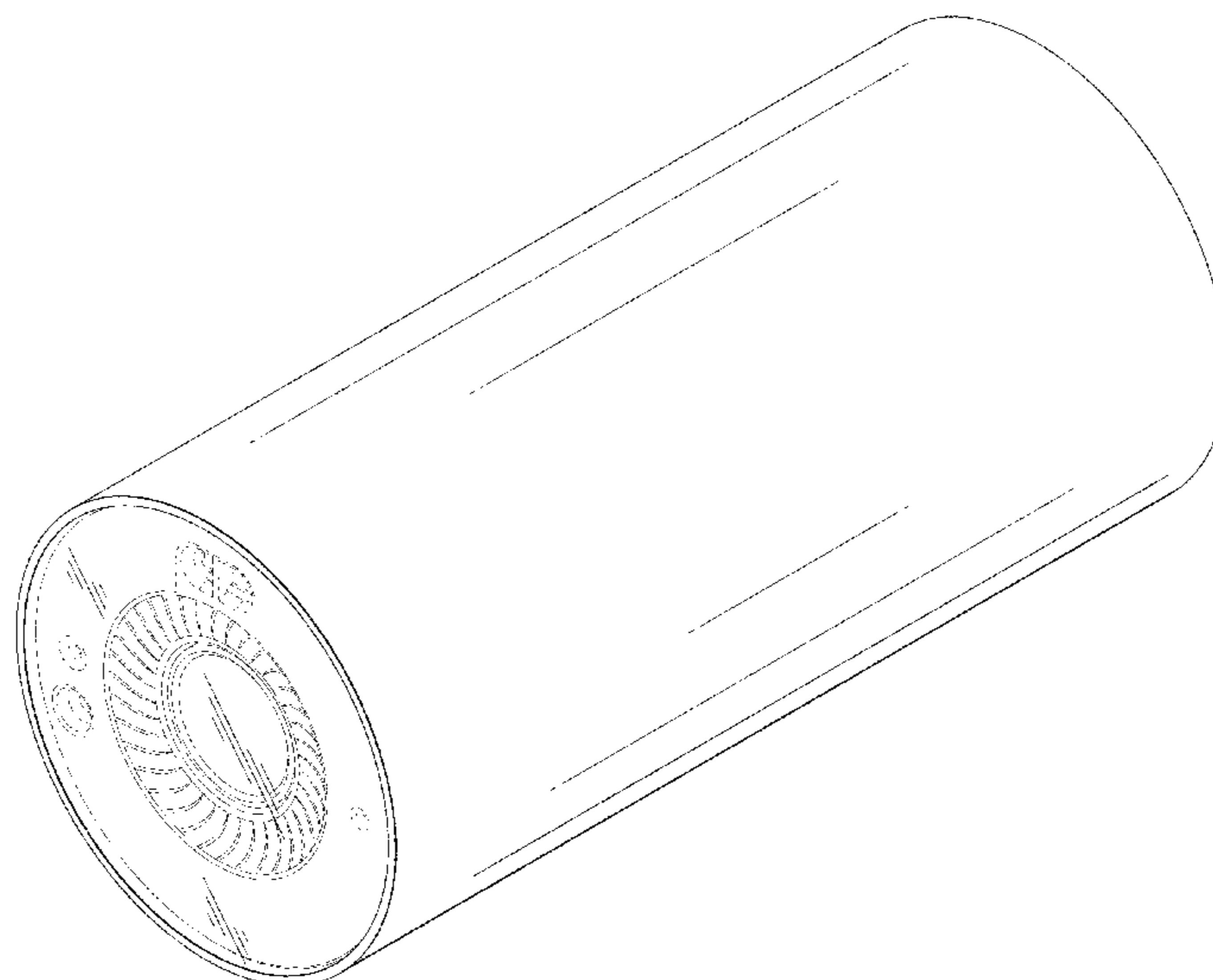
(56) **References Cited**

U.S. PATENT DOCUMENTS

D474,490	S	*	5/2003	Ogasawara	D16/208
D510,589	S	*	10/2005	Andre	D16/202
D528,576	S	*	9/2006	Chung	D16/202
D536,719	S	*	2/2007	Lukic	D16/202
D545,858	S	*	7/2007	Li	D16/202
7,337,497	B2		3/2008	Seidler et al.		
D586,836	S	*	2/2009	Liow	D16/218
D589,996	S	*	4/2009	Kellar	D16/242
7,612,825	B2		11/2009	Silverbrook		
D618,266	S		6/2010	Imaeda		
D636,421	S	*	4/2011	Sagen	D16/202
D640,721	S	*	6/2011	Satine	D16/202

(Continued)

1 Claim, 8 Drawing Sheets



(56)

References Cited

U.S. PATENT DOCUMENTS

D645,891	S *	9/2011	Kim	D16/202
D669,108	S *	10/2012	Maeyama	D16/202
D696,329	S *	12/2013	Horiki	D16/203
8,824,166	B2	9/2014	Rohrbach	
D728,655	S *	5/2015	Daniel	D16/203
D761,340	S	7/2016	Pacurariu et al.	
D761,343	S	7/2016	Schmidt et al.	
D814,546	S *	4/2018	Kuo	D16/218
10,175,112	B1 *	1/2019	Kuperman	G01J 5/08
D874,534	S *	2/2020	Matsuo	D16/202
D894,250	S *	8/2020	Hur	D16/202
D912,124	S *	3/2021	Wigney	D16/218
2007/0046031	A1	3/2007	Goldenberg et al.	
2009/0101768	A1	4/2009	Wert	
2013/0163197	A1	6/2013	Mack et al.	
2014/0049636	A1 *	2/2014	O'Donnell	G08B 13/19684 348/143
2017/0315596	A1	11/2017	Torres et al.	
2021/0181596	A1 *	6/2021	Chen	G03B 11/043
2021/0235010	A1 *	7/2021	Wallace	H04N 5/2252

OTHER PUBLICATIONS

Wikipedia, "iSight," downloaded from <http://en.wikipedia.org/wiki/iSight> on May 20, 2021, 4 pages.

* cited by examiner

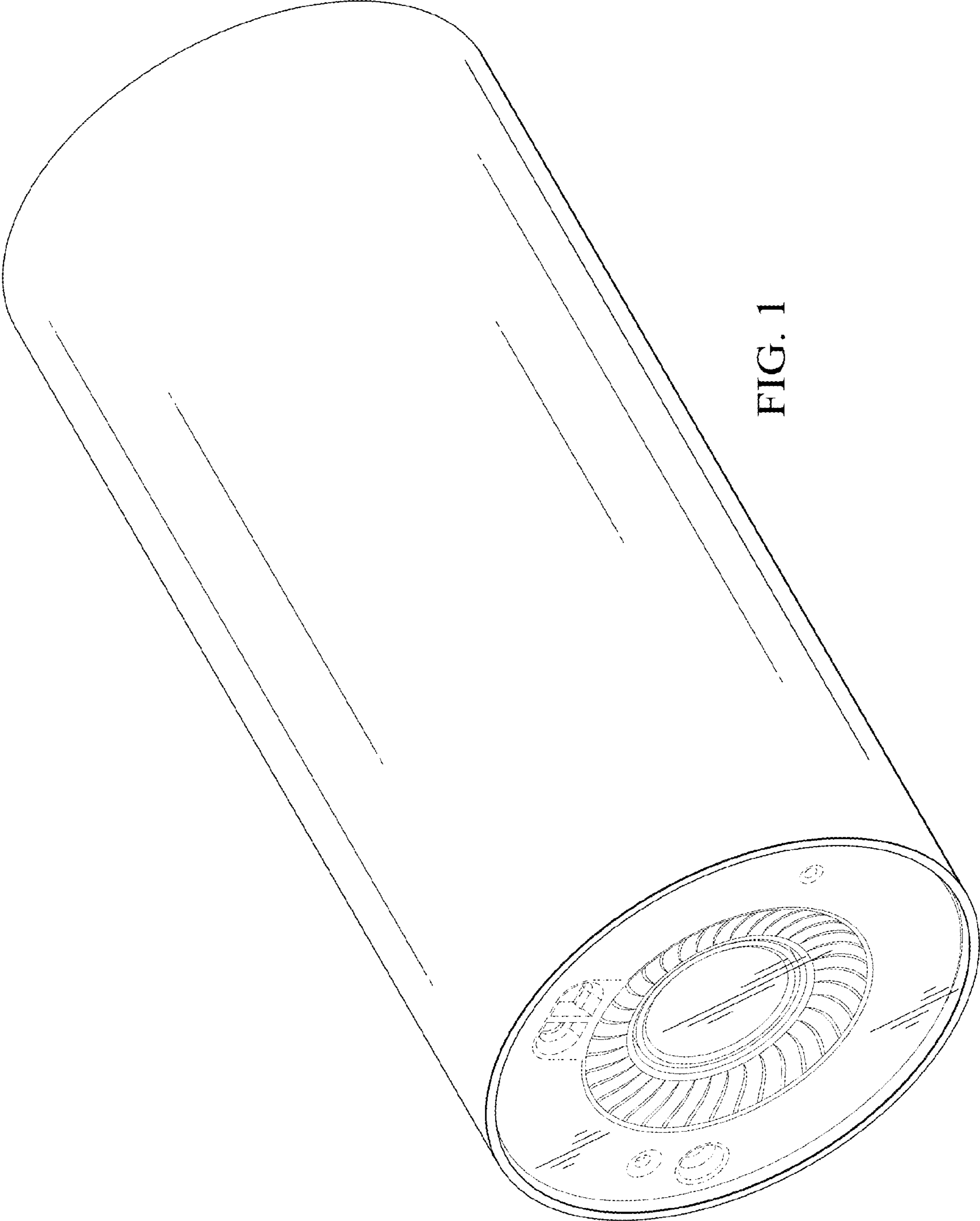


FIG. 1

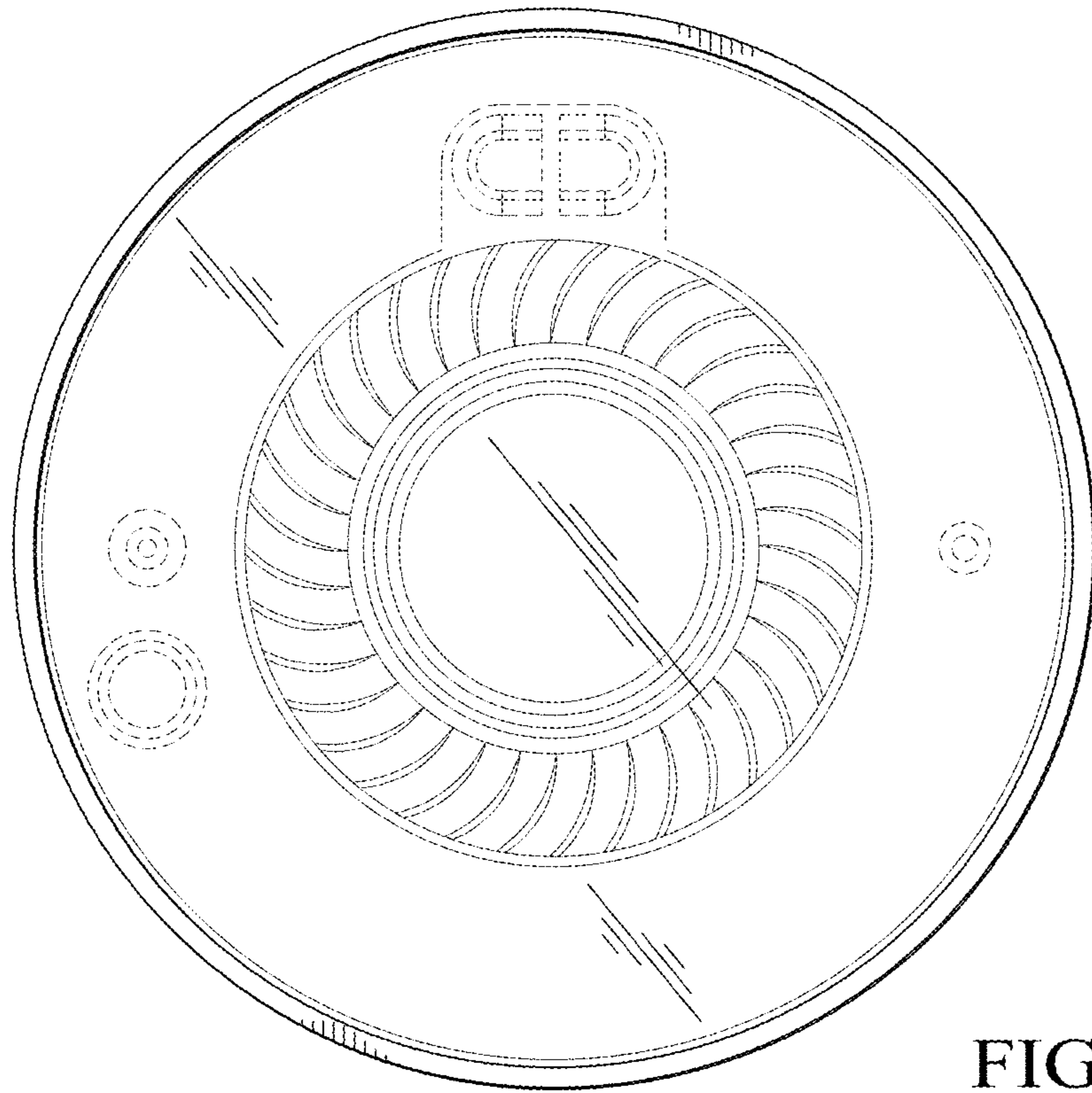


FIG. 2

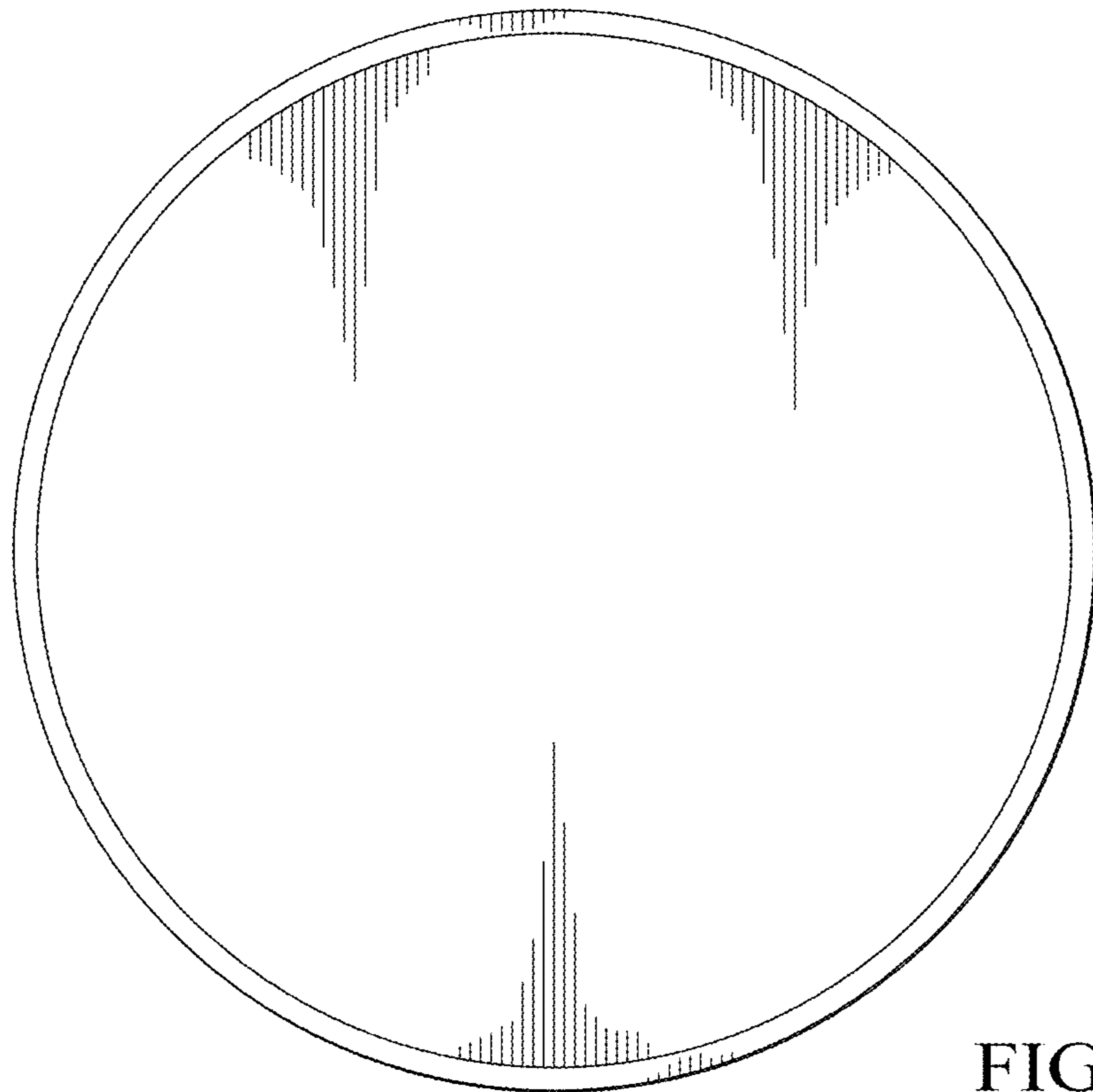


FIG. 3

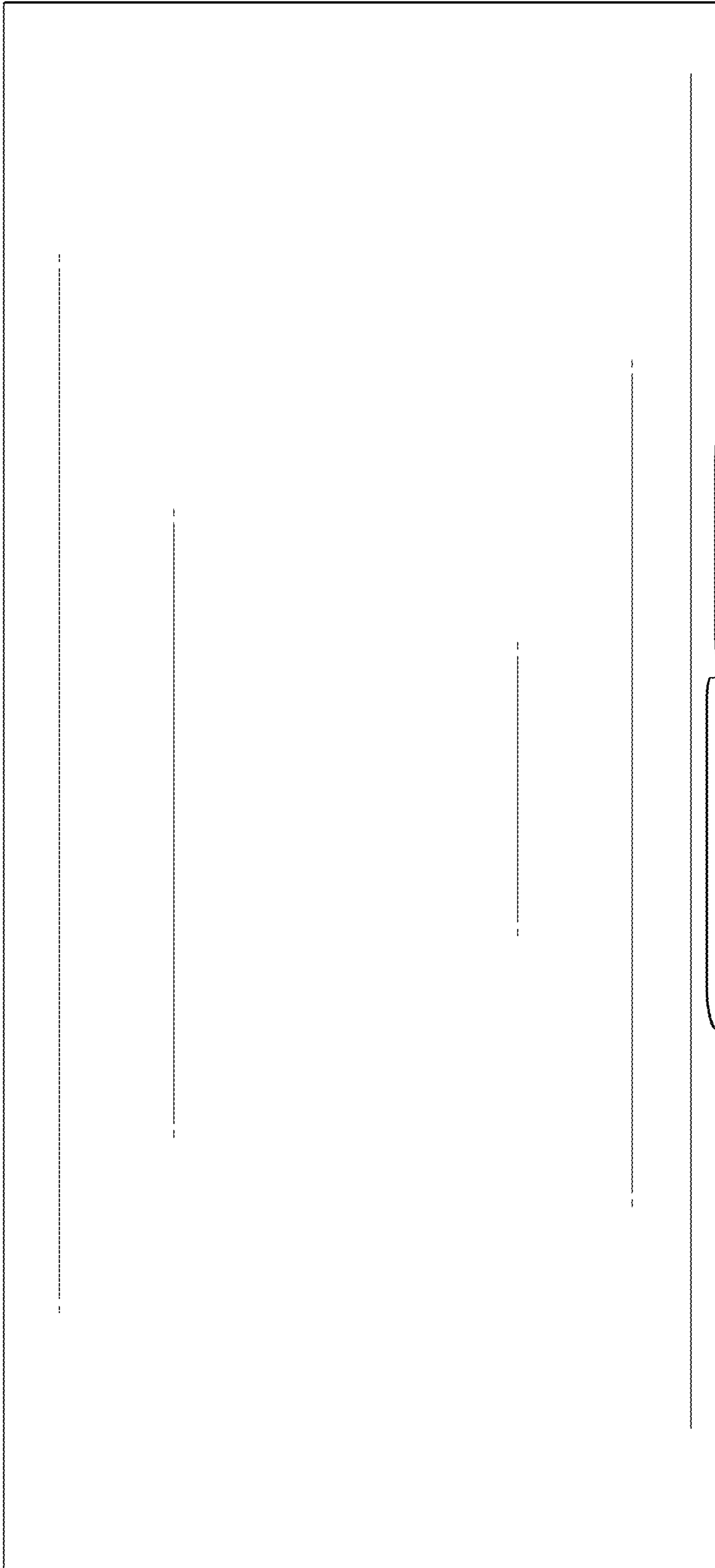


FIG. 4

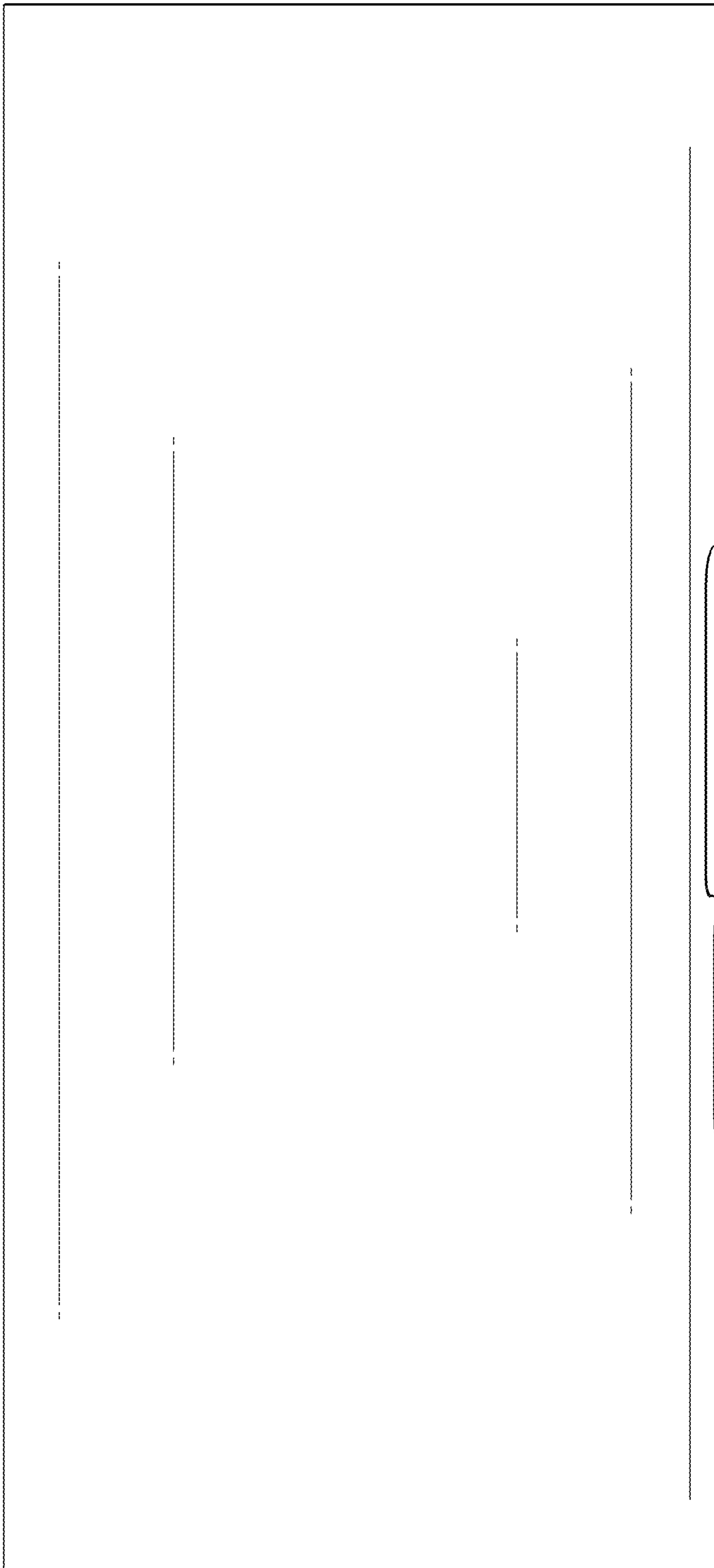


FIG. 5

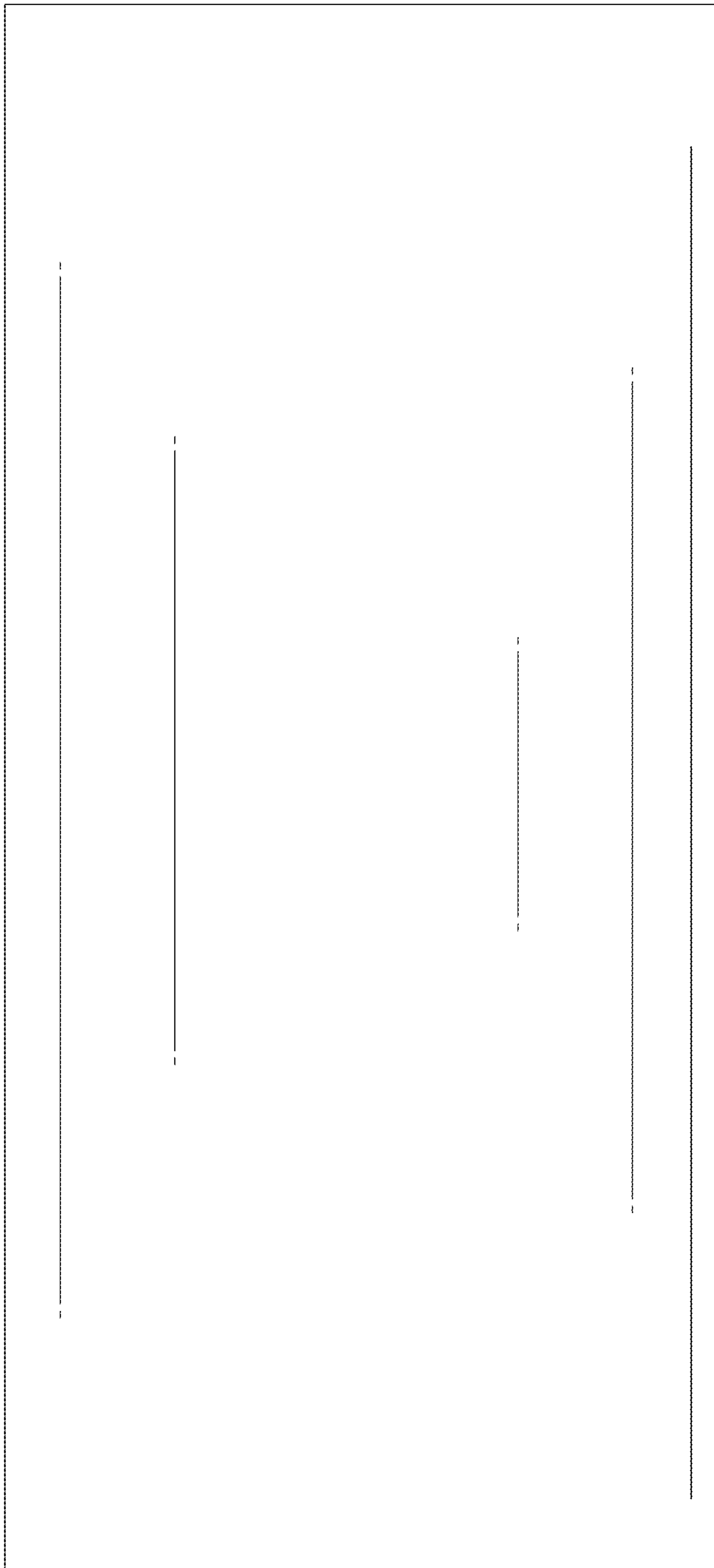


FIG. 6

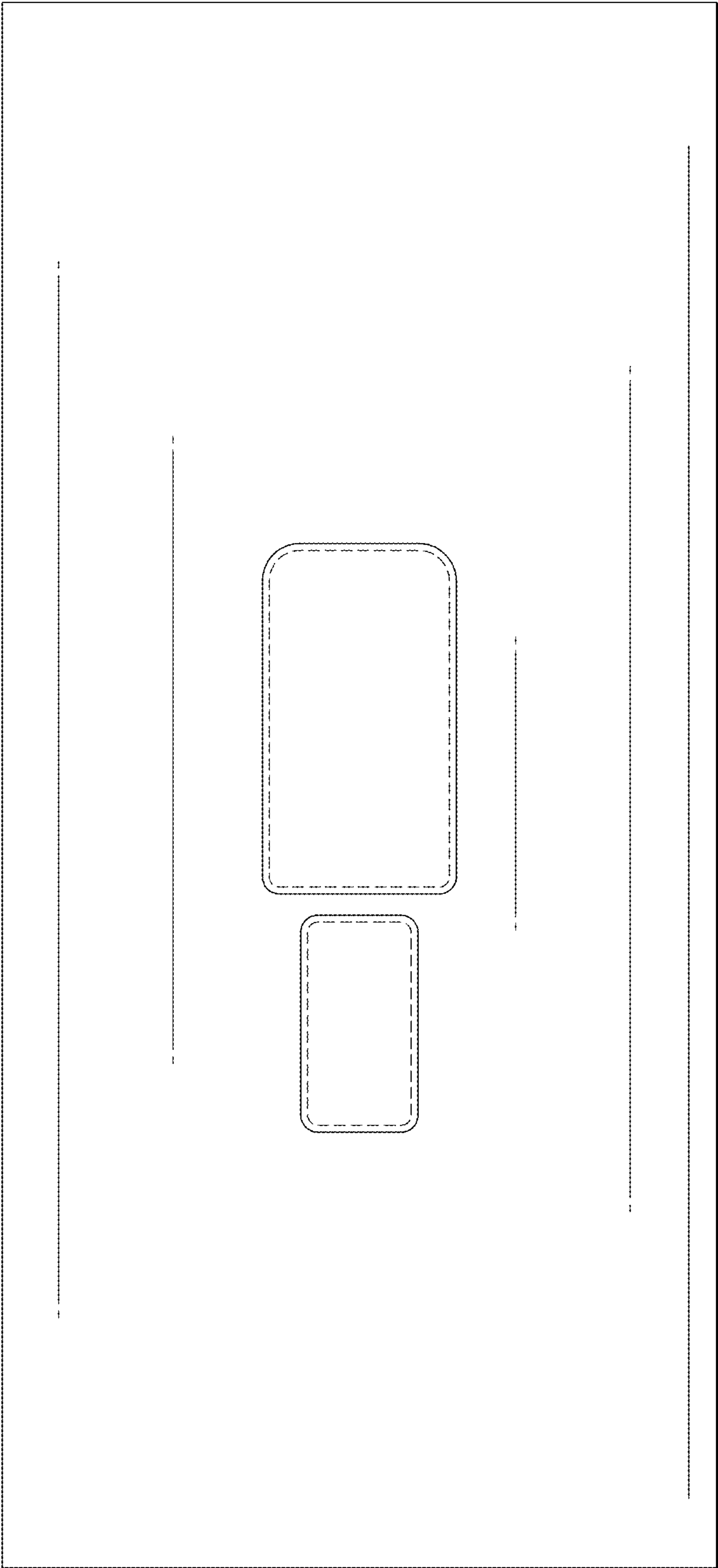
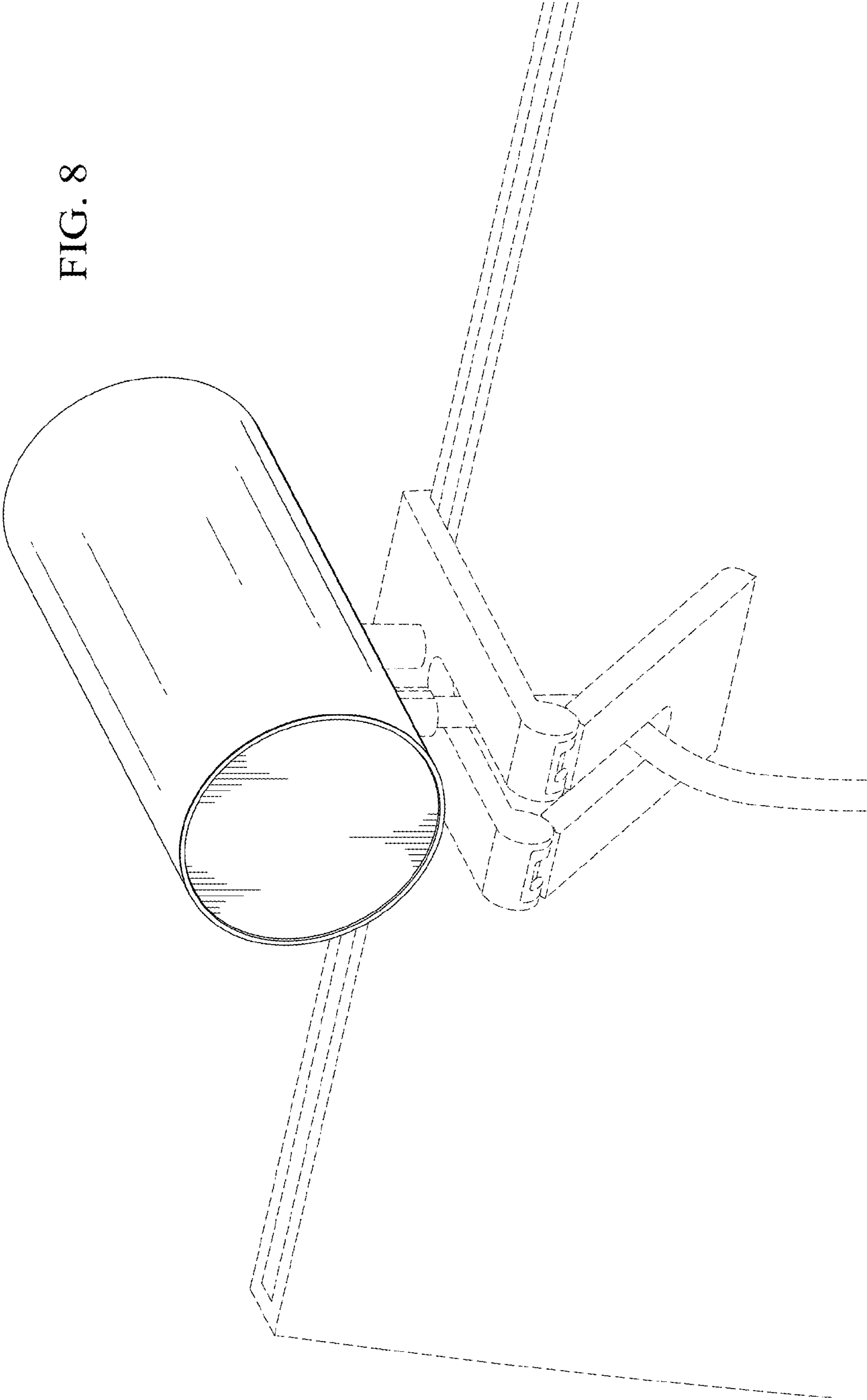


FIG. 7

FIG. 8



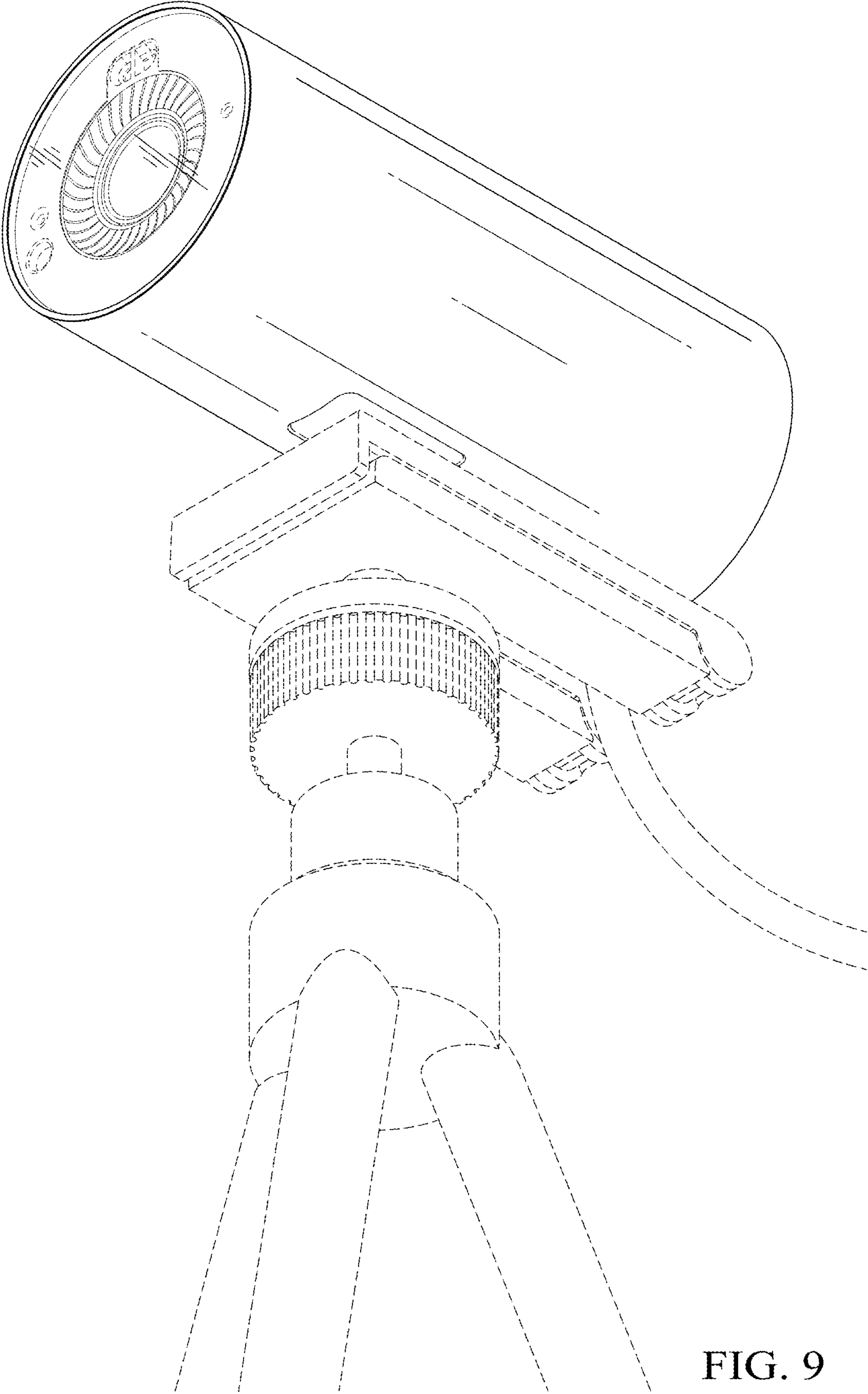


FIG. 9