



US00D972614S

(12) **United States Design Patent**
Wang

(10) **Patent No.:** **US D972,614 S**

(45) **Date of Patent:** **** Dec. 13, 2022**

(54) **SOLAR BACKUP CAMERA**

(71) Applicant: **Jiying Wang**, Guangzhou (CN)

(72) Inventor: **Jiying Wang**, Guangzhou (CN)

(**) Term: **15 Years**

(21) Appl. No.: **29/839,295**

(22) Filed: **May 19, 2022**

(51) **LOC (13) Cl.** **16-01**

(52) **U.S. Cl.**

USPC **D16/200**

(58) **Field of Classification Search**

USPC D16/200–203, 208–209, 213–215,
D16/217–218; D10/46, 50, 52, 104.1,
D10/114.3; D14/125, 203.1, 203.8,
D14/209.1, 204, 214, 317, 474, 496
CPC G03B 17/00; G03B 17/02; G03B 2217/00;
H04N 5/2251; H04N 5/225; H04N
5/2254

See application file for complete search history.

(56) **References Cited**

U.S. PATENT DOCUMENTS

| | | | |
|--------------|---------|-----------------|---------|
| D535,676 S * | 1/2007 | Dayan | D16/208 |
| D577,050 S * | 9/2008 | Dayan | D16/218 |
| D665,441 S * | 8/2012 | McManigal | D16/202 |
| D681,607 S * | 5/2013 | Nishii | D14/214 |
| D716,360 S * | 10/2014 | Schechter | D16/208 |
| D827,596 S * | 9/2018 | Hou | D14/125 |
| D831,001 S * | 10/2018 | Sugiura | D14/214 |
| D861,641 S * | 10/2019 | Werle | D14/214 |
| D871,988 S | 1/2020 | Wang | |
| D874,433 S * | 2/2020 | Boerner | D14/214 |
| D883,953 S * | 5/2020 | Chong | D14/214 |
| D896,195 S * | 9/2020 | Zhang | D14/125 |
| D905,778 S * | 12/2020 | Lenz | D16/208 |
| D907,595 S * | 1/2021 | Duys | D14/125 |
| D915,350 S * | 4/2021 | Kitazawa | D14/214 |
| D922,470 S * | 6/2021 | Wang | D16/208 |
| D924,299 S * | 7/2021 | Gartrell | D16/202 |
| D924,959 S * | 7/2021 | Gartrell | D16/202 |
| D927,441 S * | 8/2021 | Bailey | D16/208 |
| D928,107 S * | 8/2021 | Wang | D16/208 |

| | | | |
|--------------|---------|----------------|---------|
| D932,461 S * | 10/2021 | Hung | D14/204 |
| D932,534 S * | 10/2021 | Su | D14/125 |
| D940,776 S * | 1/2022 | Gartrell | D16/202 |
| D940,777 S * | 1/2022 | Gartrell | D16/202 |

(Continued)

FOREIGN PATENT DOCUMENTS

CN 201330509550 * 3/2014

OTHER PUBLICATIONS

“Whistler WBU-800 Wireless Backup Camera, No Drilling Or Hardwiring, 4.3" LCD Monitor, Solar Panel Recharging, Weather Resistant, 110° Viewing Angle” from Walmart.com, first retrieved Sep. 23, 2022 from the internet <https://www.walmart.com/ip/Whistler-WBU-800-Wireless-Backup-Camera-No-Drilling-Or-Hardwiring-4-3-LCD-Monitor-Solar-Panel-Recharging-Weather-Resistant-110-Viewing-Angle/351495755?wmlspartner=wlp&selectedSellerId=0&&adid=2222222227000000000&wl0=&wl1=g&wl2=c&wl3=42423897272&wl4=aud-393207457166:pla-51320962143&wl5=9059726&wl6=&wl7=&wl8=&wl9=pla&wl10=8175035&wl11=online&wl12=351495755&veh=sem&gclid=EAlalQobChMI3P2SuZer-gIV1Ap9Ch2tVAegEAsYAyABEgKyufD_BwE&gclsrc=aw.ds> (Year: 2022).*

(Continued)

Primary Examiner — Elizabeth J Oswecki

Assistant Examiner — Lacey Chey Bowman

(74) *Attorney, Agent, or Firm* — Justin Lampel

(57) **CLAIM**

The ornamental design for a solar backup camera, as shown and described.

DESCRIPTION

FIG. 1 is a perspective view of a solar backup camera showing the claimed design;
FIG. 2 is a top plan view thereof;
FIG. 3 is a left side elevational view thereof;
FIG. 4 is a rear elevational view thereof;
FIG. 5 is a right side elevational view thereof;
FIG. 6 is a front elevational view thereof;

(Continued)

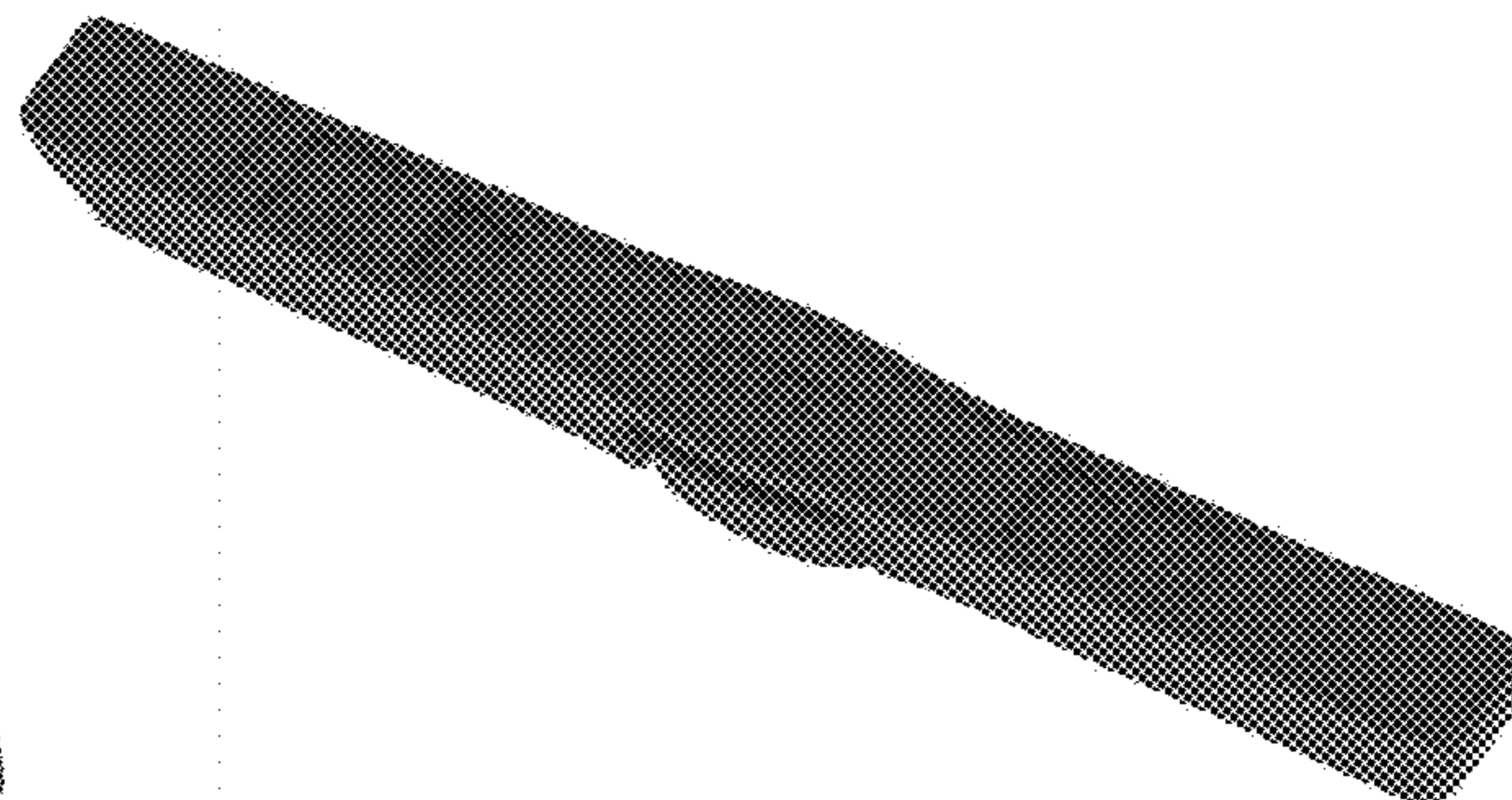
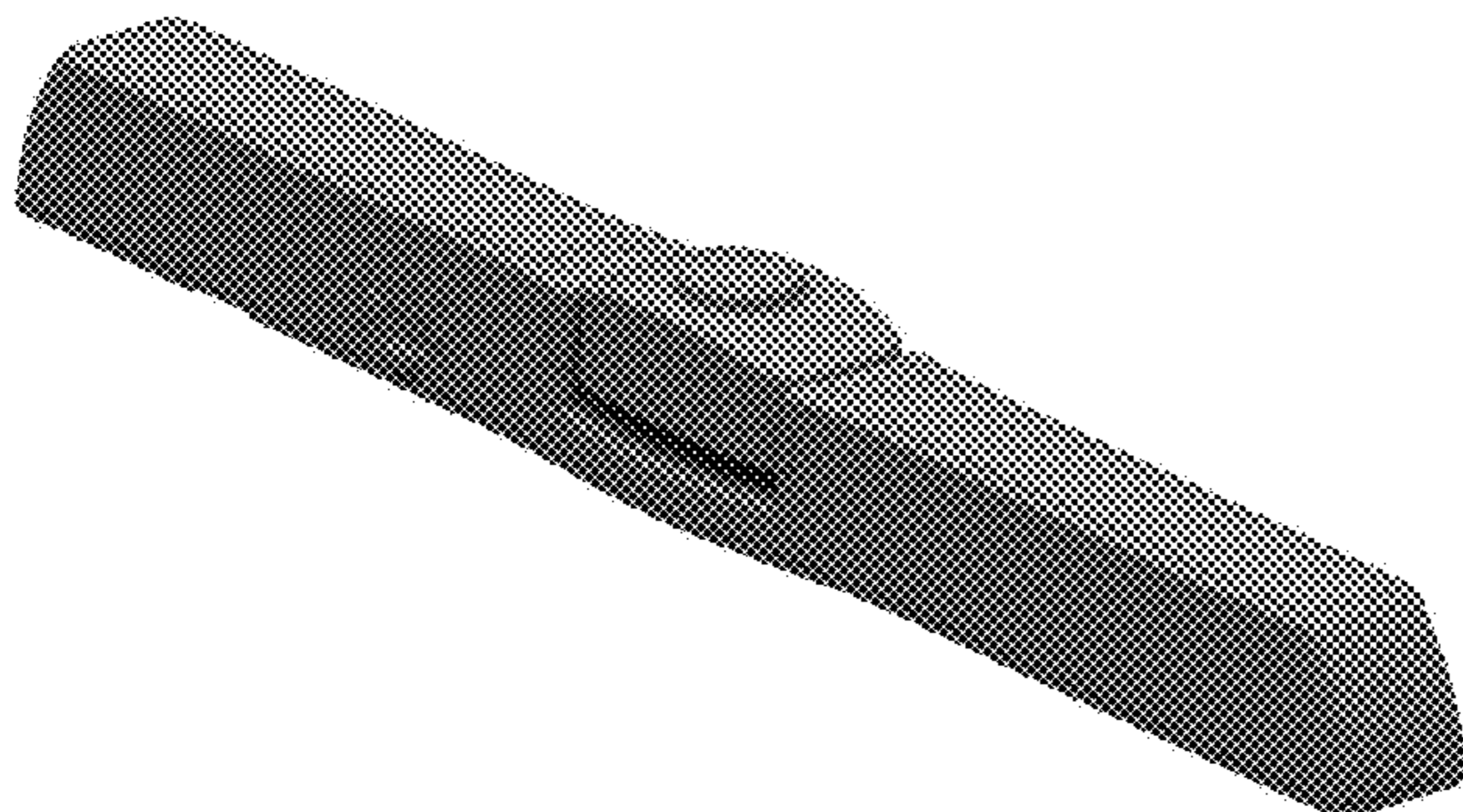


FIG. 7 is a bottom plan view thereof; and,
FIG. 8 is another perspective view thereof.

1 Claim, 8 Drawing Sheets

(56) **References Cited**

U.S. PATENT DOCUMENTS

D954,008 S * 6/2022 Su D14/125
D961,538 S * 8/2022 Wang D16/208

OTHER PUBLICATIONS

“Scosche WBUSSPF43 Wireless Solar Powered Backup Camera System with 4.3" Color Dash Monitor and License Plate Frame for Cars, Trucks and SUV's” from Amazon.com, first available Sep. 28, 2020 from the internet <<https://www.amazon.com/SCOSCHE-WBUSSMM43-SP-Wireless-Powered-MagicMount/dp/B08K99Q4RQ?th=1>> (Year: 2020).*

“Solar Wireless Backup Camera for Car (1080P), 3 Mins DIY Installation, Foxpark Solar 3 Back Up Camera Systems Wireless 5 inch Car Monitor, IP69K 2 Channels Reverse Camera for Car, Truck, Van, RV” from Amazon.com, first available Apr. 17, 2022 from the internet <<https://www.amazon.com/Solar-Wireless-Installation-Foxpark-Channels/dp/B09Y5MVFN4/>> (Year: 2022).*

* cited by examiner

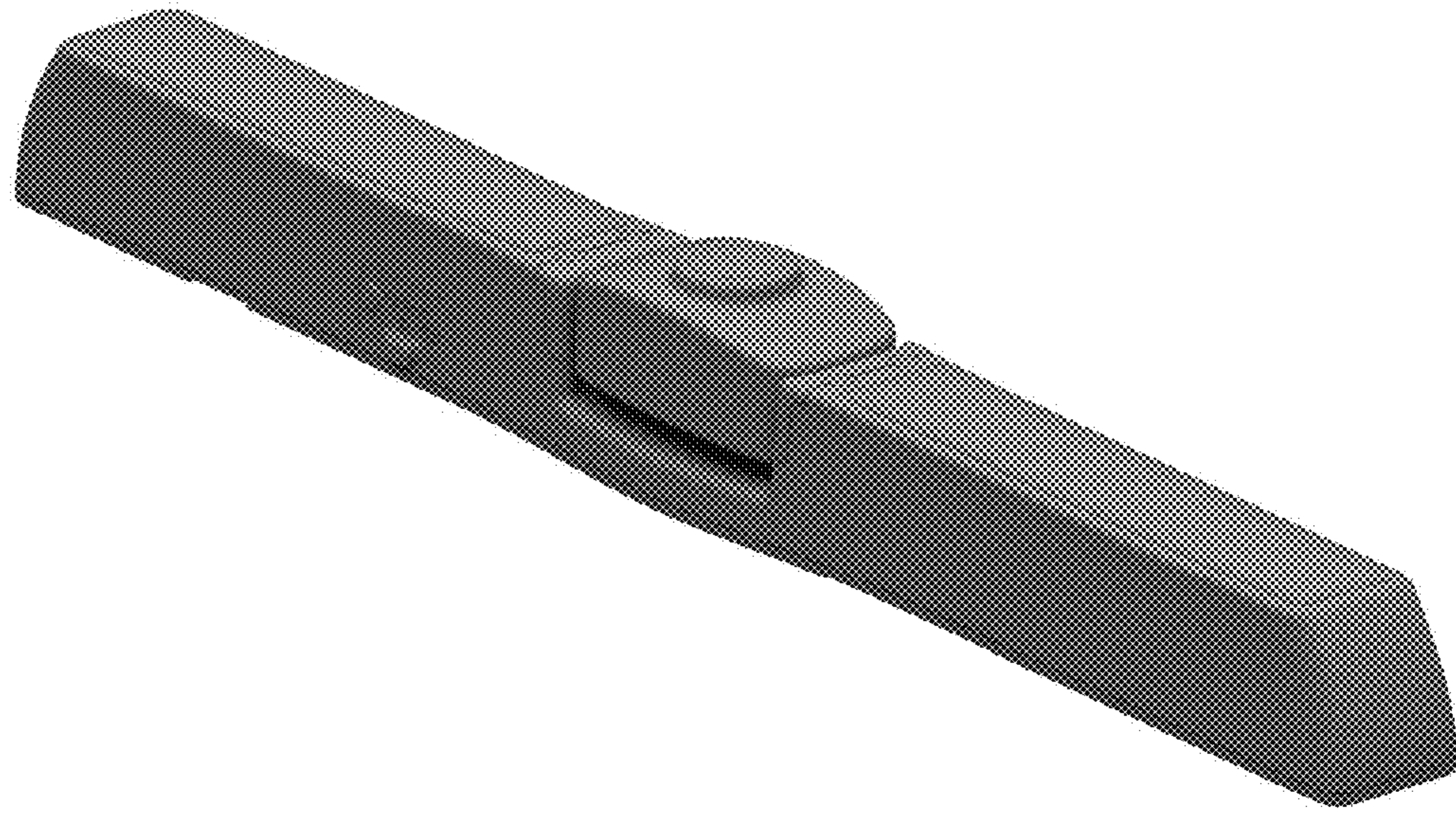


FIG. 1

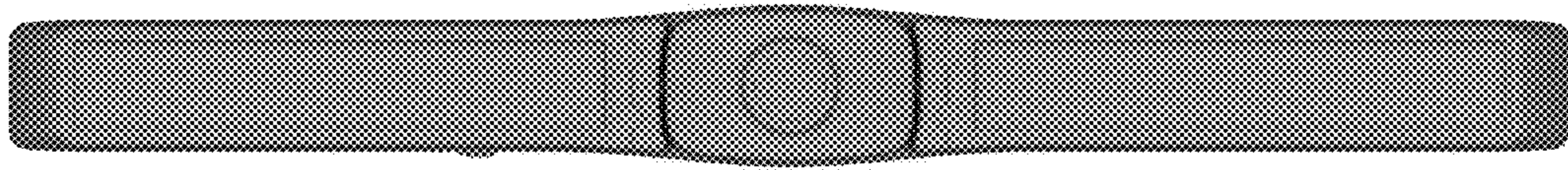


FIG. 2

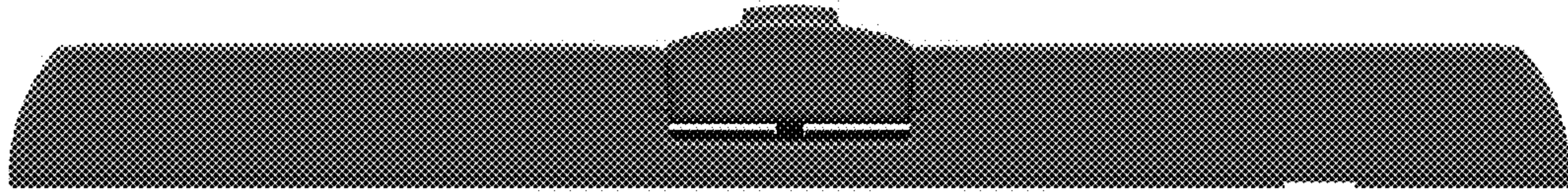


FIG. 3

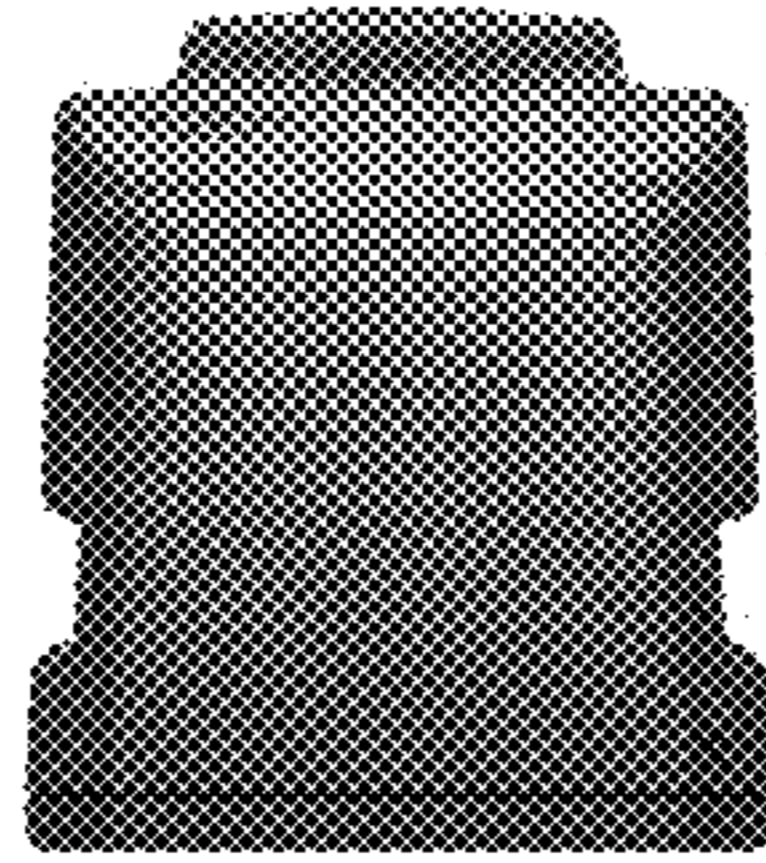


FIG. 4

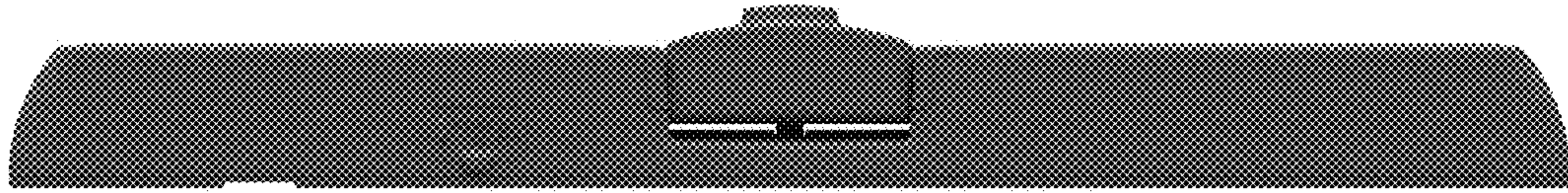


FIG. 5

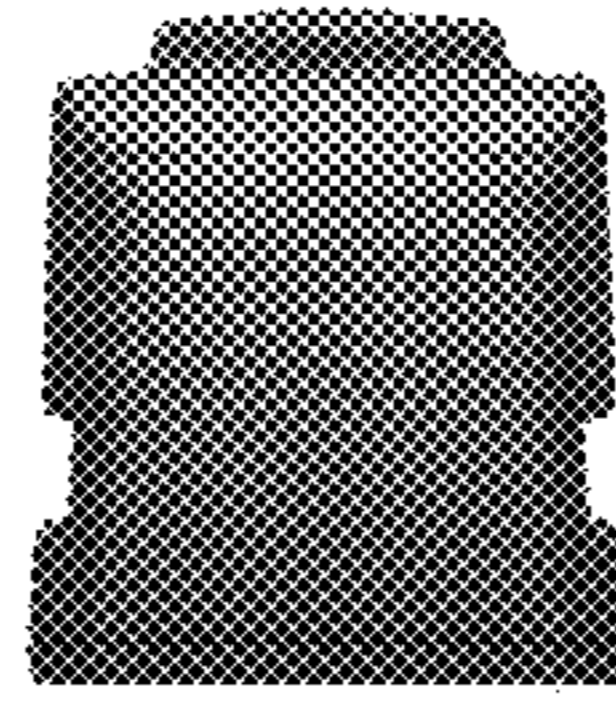


FIG. 6

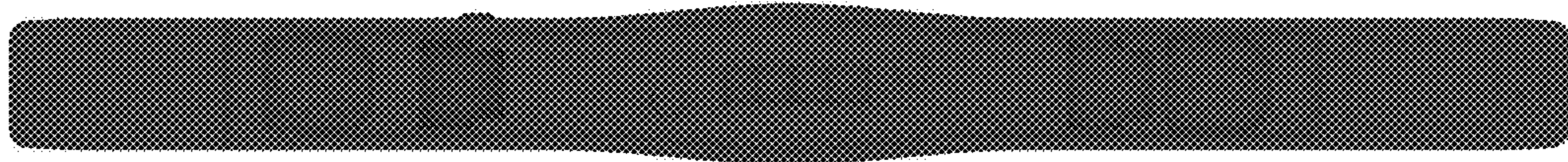


FIG. 7

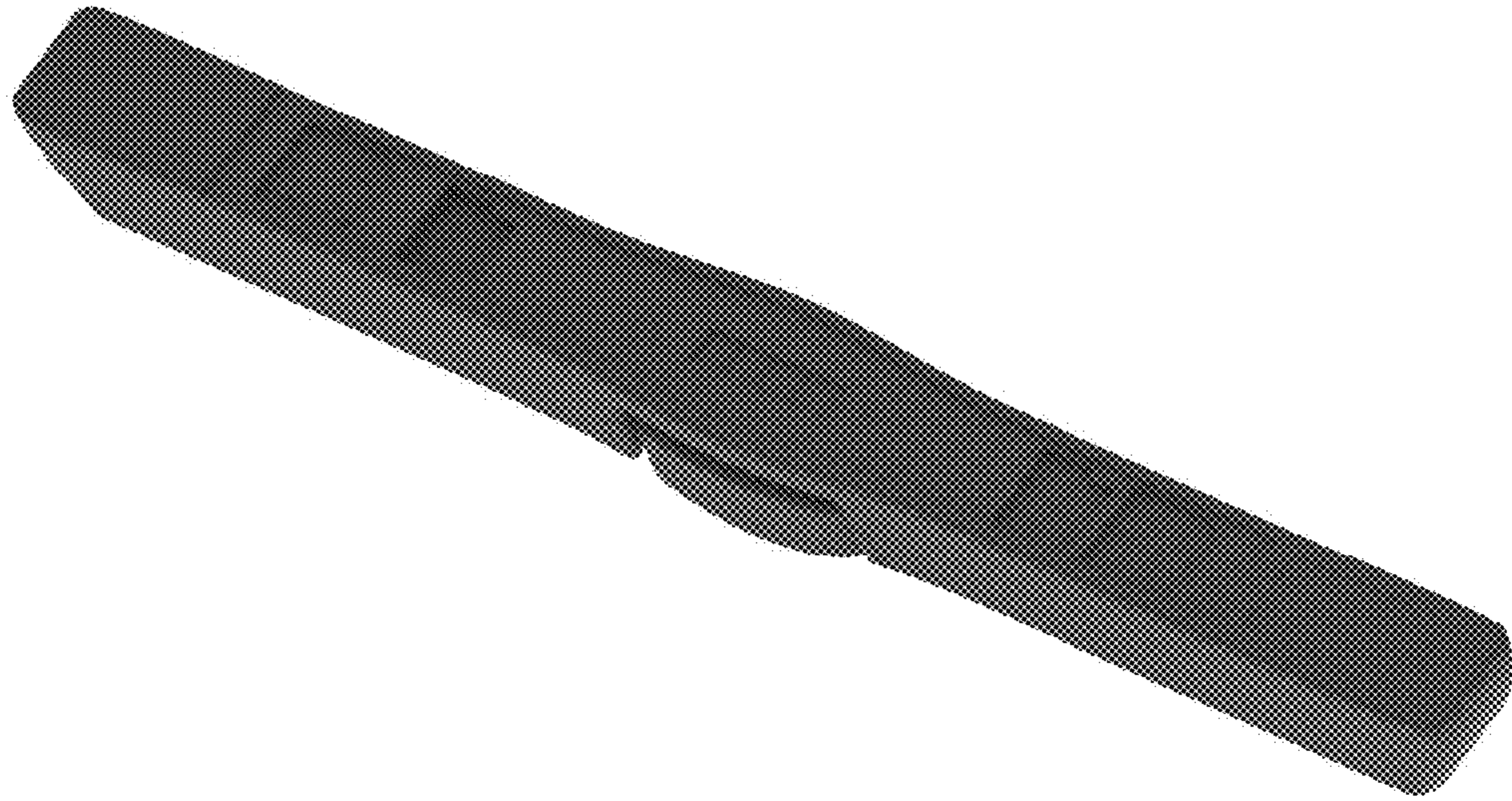


FIG. 8