



US00D972611S

(12) **United States Design Patent**
Lai et al.

(10) **Patent No.:** **US D972,611 S**

(45) **Date of Patent:** **** Dec. 13, 2022**

- (54) **PNEUMATIC OIL EXTRACTOR**
- (71) Applicant: **JEN SIAN INDUSTRIAL CO., LTD.**,
Taichung (TW)
- (72) Inventors: **Cheng-Wei Lai**, Taichung (TW);
Fu-Kai Chuang, Taichung (TW)
- (73) Assignee: **JEN SIAN INDUSTRIAL CO., LTD.**,
Taichung (TW)
- (**) Term: **15 Years**
- (21) Appl. No.: **29/765,878**
- (22) Filed: **Jan. 12, 2021**

- D478,107 S * 8/2003 Few D15/151
- 6,729,493 B1 * 5/2004 Chen B60T 17/221
220/737
- D539,822 S * 4/2007 Tseng D15/150
- D541,323 S * 4/2007 Tseng D15/150
- D654,522 S * 2/2012 Zhang D15/152
- 8,360,741 B2 * 1/2013 Chuang F04B 9/14
417/374
- D870,786 S * 12/2019 Wu D15/150
- D885,440 S * 5/2020 Chen D15/7
- D903,721 S * 12/2020 Liao D15/7
- D949,940 S * 4/2022 Liu D15/150
- 2003/0035741 A1 * 2/2003 Tseng F04B 17/00
417/374
- 2012/0275944 A1 * 11/2012 Chuang F04B 9/14
417/442
- 2019/0309739 A1 * 10/2019 Liao F04B 9/14

* cited by examiner

- (30) **Foreign Application Priority Data**
- Aug. 5, 2020 (TW) 109304364
- (51) **LOC (13) Cl.** **09-09**
- (52) **U.S. Cl.**
- USPC **D15/150**
- (58) **Field of Classification Search**
- USPC D15/7, 9.1, 150, 151, 152; D23/213
- CPC F16N 31/00; F16N 31/02; F16N 31/002;
F16N 31/006; F01M 11/0004
- See application file for complete search history.

Primary Examiner — Patricia A Palasik
(74) *Attorney, Agent, or Firm* — Guice Patents PLLC

- (56) **References Cited**
- U.S. PATENT DOCUMENTS
- D309,974 S * 8/1990 Tannous D23/209
- D337,774 S * 7/1993 Schillinger D15/150
- 5,450,924 A * 9/1995 Tseng F01M 11/045
137/202

(57) **CLAIM**
The ornamental design for a pneumatic oil extractor, as shown and described.

DESCRIPTION

FIG. 1 is a perspective view of a pneumatic oil extractor;
FIG. 2 is a front view thereof;
FIG. 3 is a rear view thereof;
FIG. 4 is a left side view thereof;
FIG. 5 is a right side view thereof; and,
FIG. 6 is a top view thereof.

1 Claim, 6 Drawing Sheets

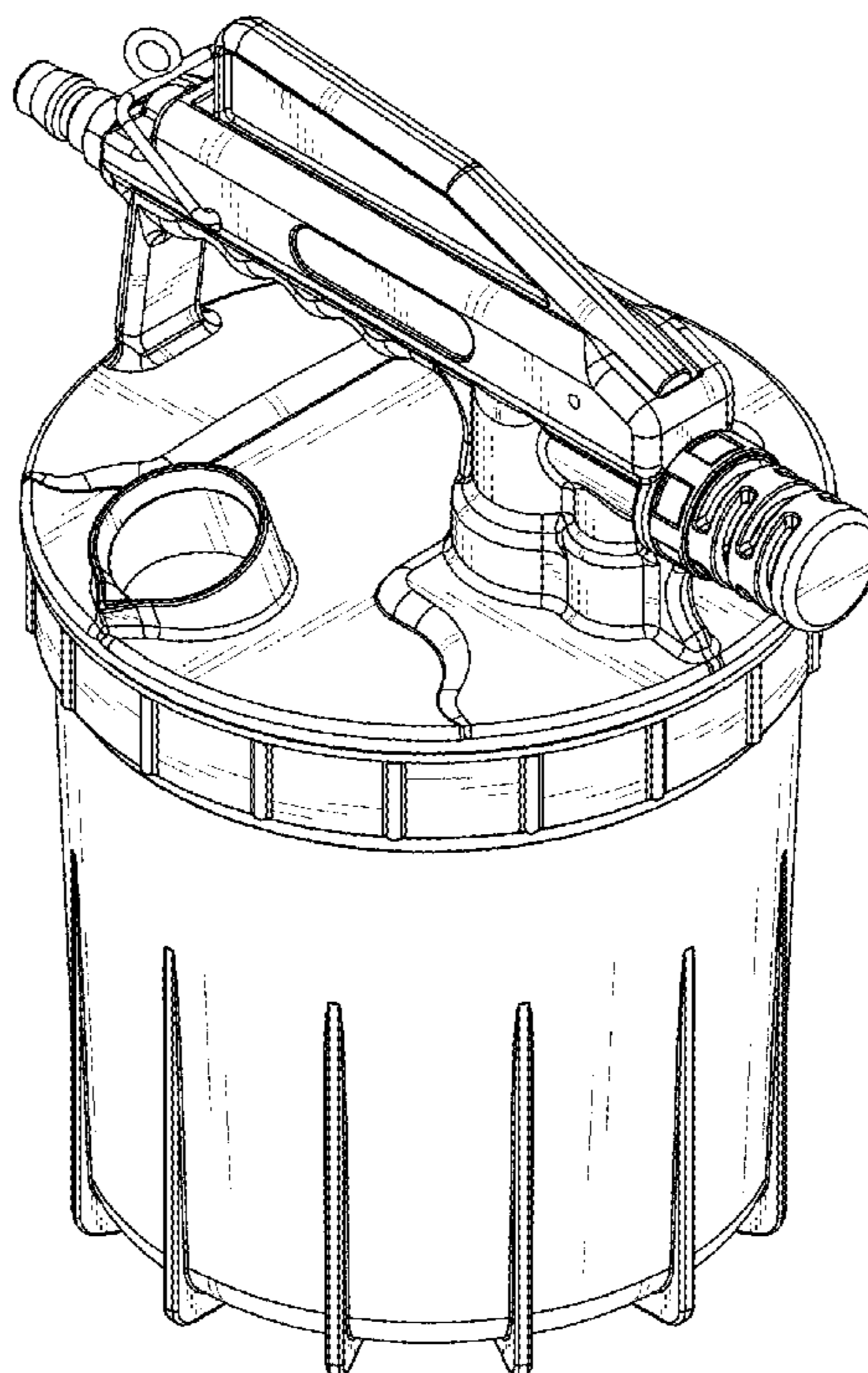




Fig. 1

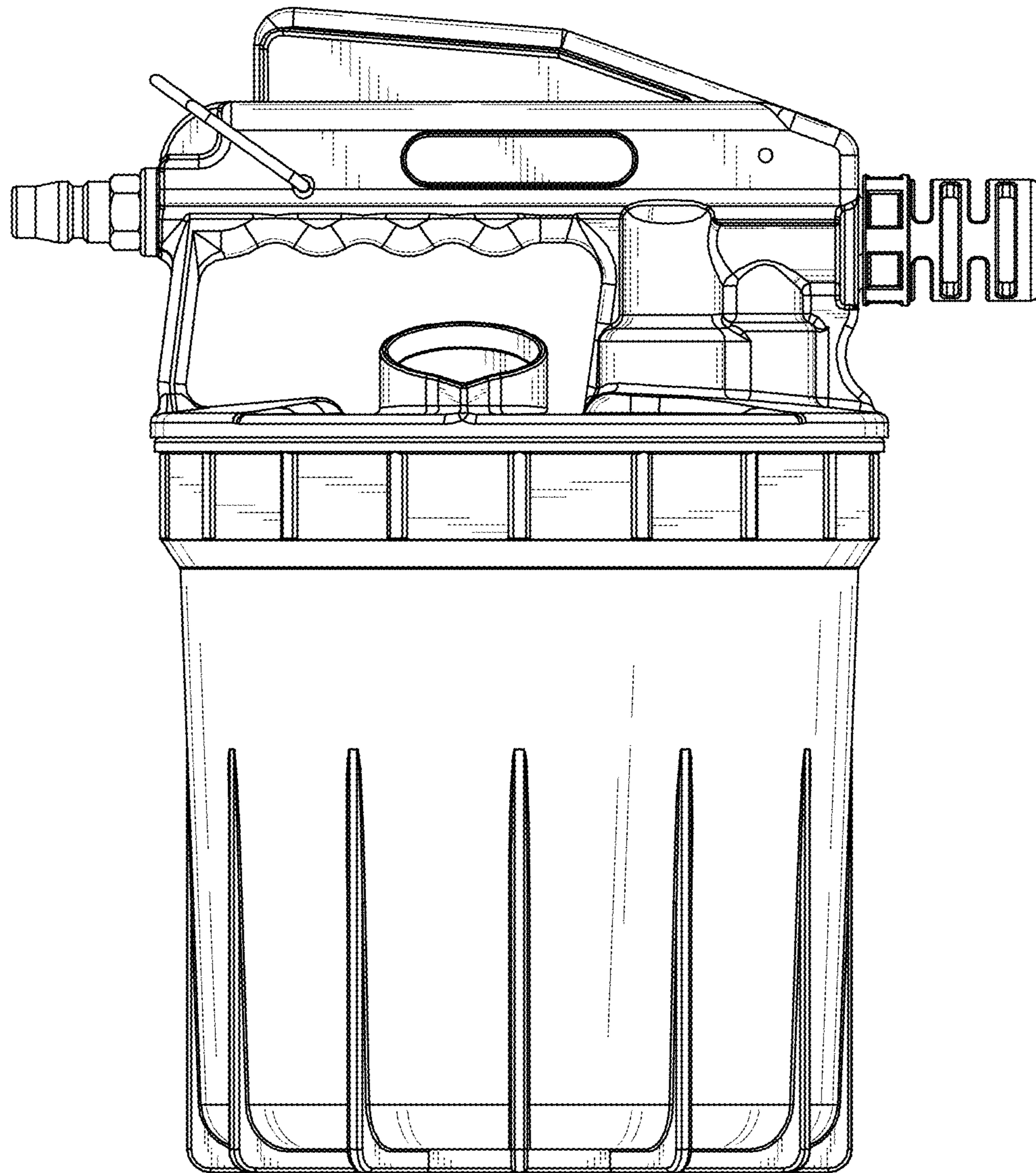


Fig. 2

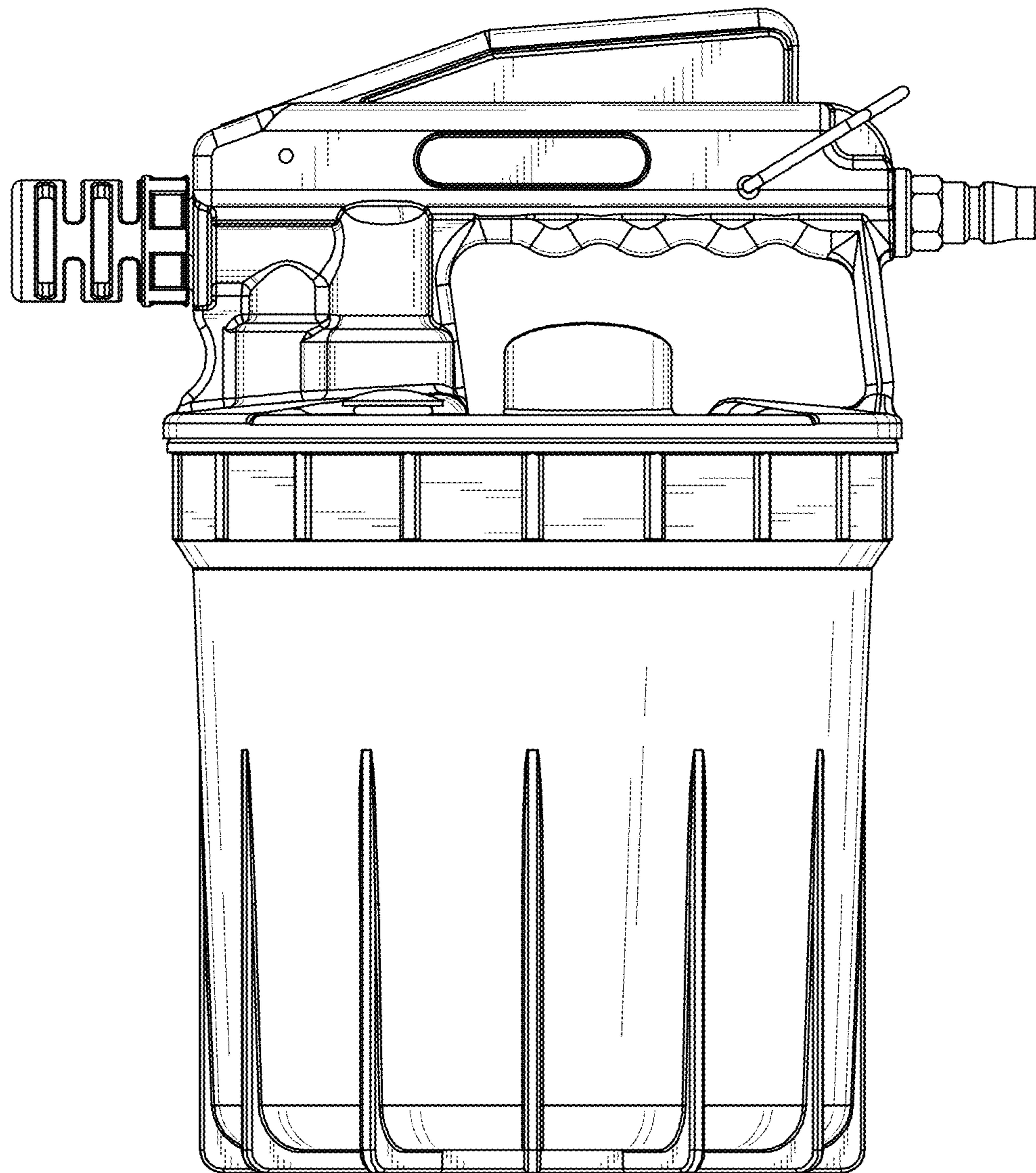


Fig. 3

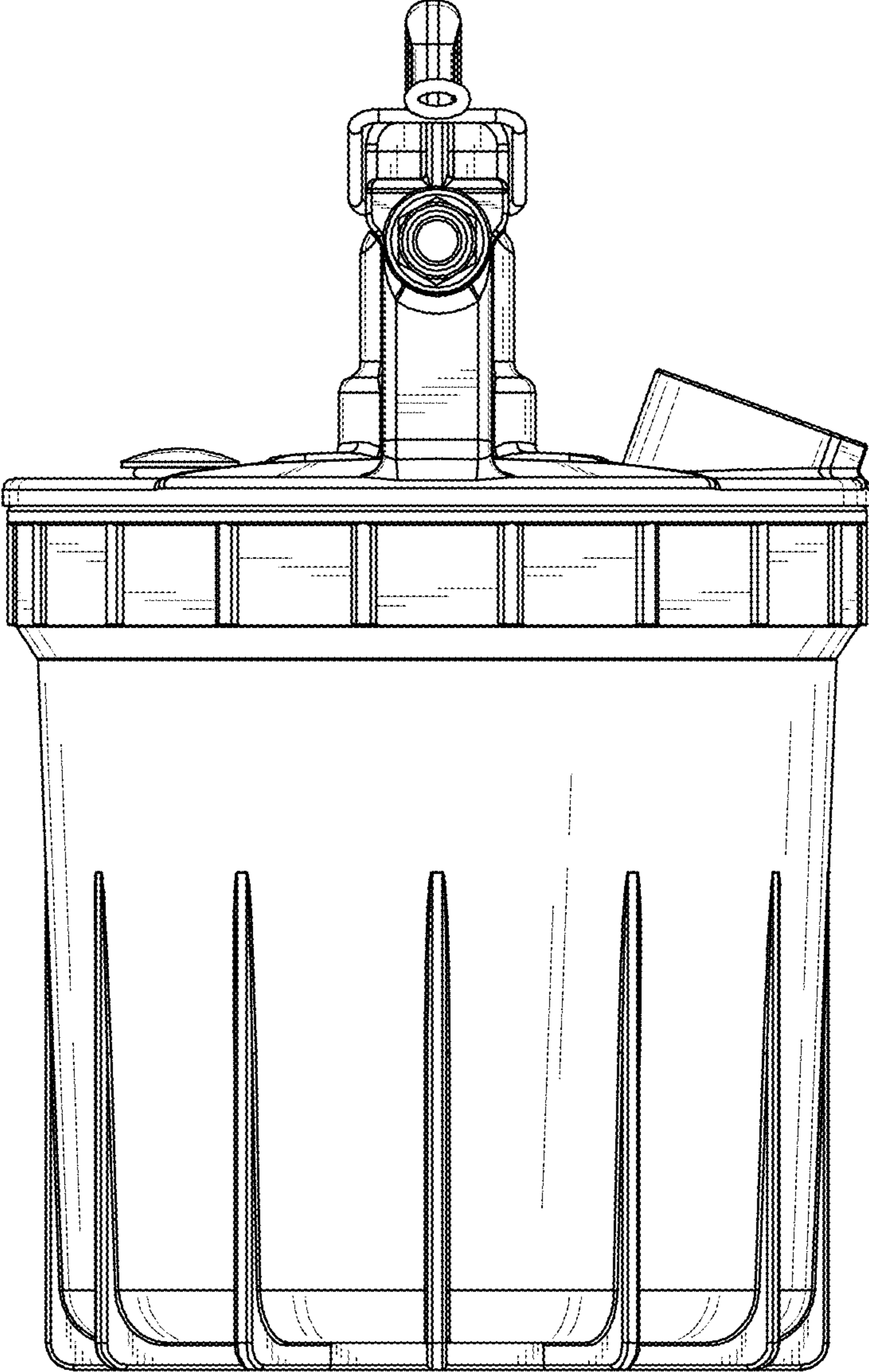


Fig. 4

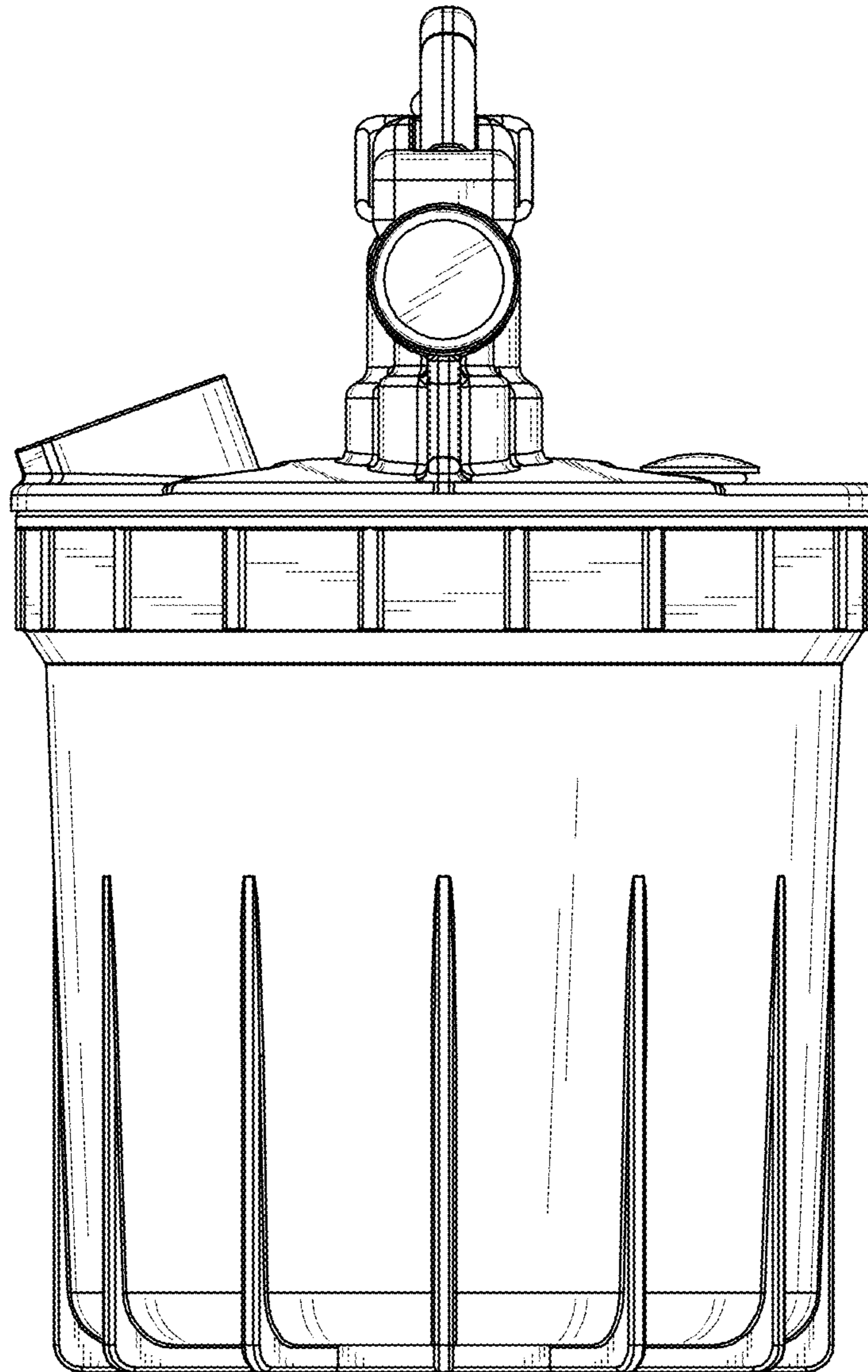


Fig. 5

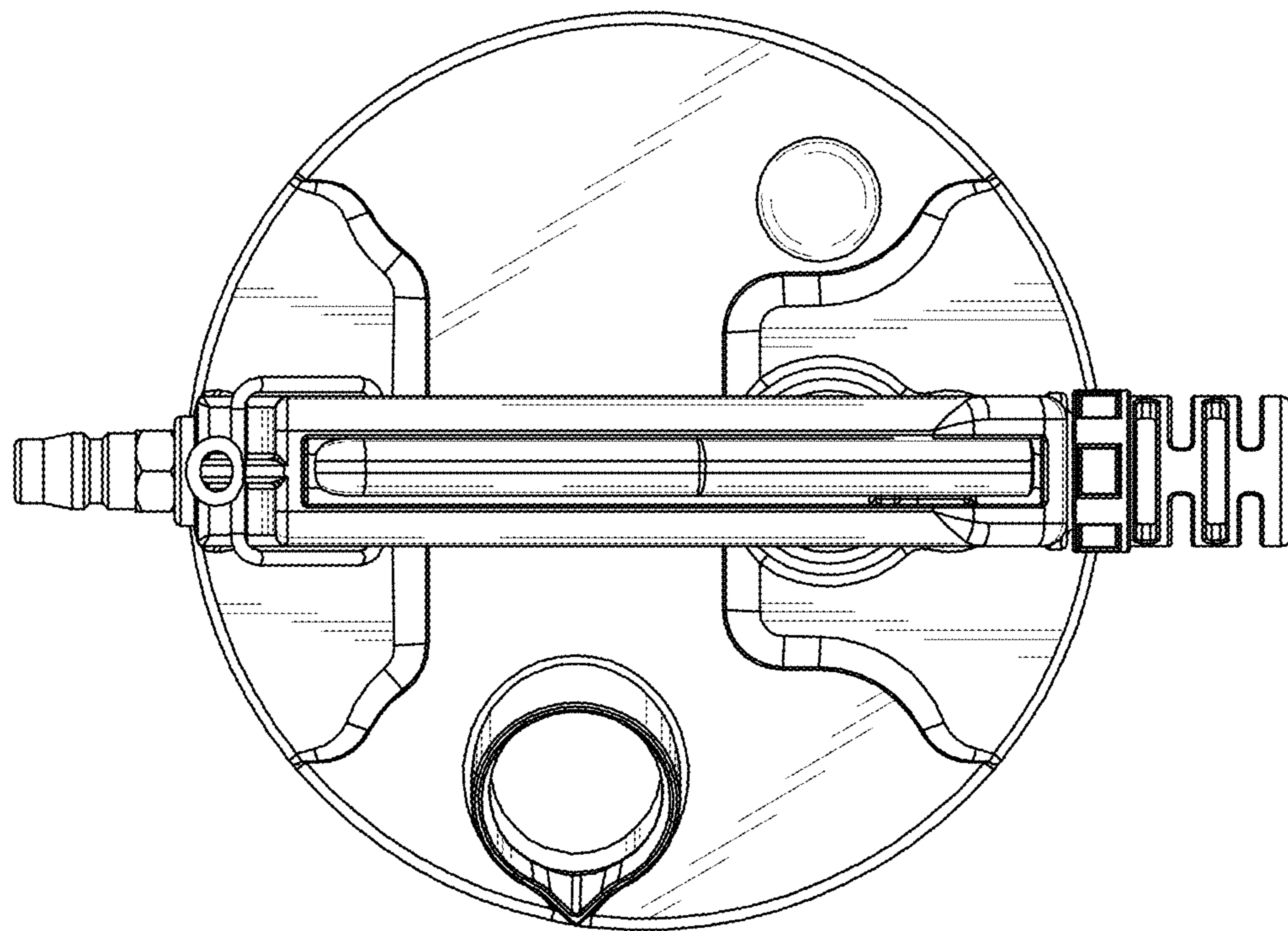


Fig. 6