



US00D972610S

(12) **United States Design Patent**  
**Zhang**

(10) **Patent No.:** **US D972,610 S**

(45) **Date of Patent:** **\*\* Dec. 13, 2022**

(54) **HAND HELD WELDING MACHINE**

(71) Applicant: **Bing Zhang**, Henan (CN)

(72) Inventor: **Bing Zhang**, Henan (CN)

(\*\*) Term: **15 Years**

(21) Appl. No.: **29/821,816**

(22) Filed: **Jan. 3, 2022**

(51) **LOC (13) Cl.** ..... **15-09**

(52) **U.S. Cl.**  
USPC ..... **D15/144**

(58) **Field of Classification Search**  
USPC ..... D8/29.1-29.2, 30, 61, 67-68; D28/13;  
D15/144; D23/225, 231, 232  
CPC ..... A45D 20/08; A45D 20/10; F24H 3/00;  
F24H 3/0423; F16M 13/00; F04B 53/00;  
F04B 35/06; F04B 33/005; F04B 17/06;  
F04D 25/0673

See application file for complete search history.

(56) **References Cited**

**U.S. PATENT DOCUMENTS**

D184,624 S *	3/1959	Kirkbride .....	D8/68
D256,325 S *	8/1980	Crooks et al.	
D261,222 S *	10/1981	Bunyea .....	D8/68
D262,473 S *	12/1981	Wildman .....	D21/532
D339,726 S *	9/1993	Bruno .....	D8/68
D396,620 S *	8/1998	Sung .....	D8/68
D403,219 S *	12/1998	Bosten .....	D8/68
D404,276 S *	1/1999	Ghode .....	D8/68
D410,830 S *	6/1999	Pusateri .....	D8/68
D424,902 S *	5/2000	Gildersleeve .....	D8/68
D521,338 S *	5/2006	Wai .....	D8/68
D536,591 S *	2/2007	Ghode .....	D8/68
D587,082 S *	2/2009	Seewraj .....	D8/68
D604,582 S *	11/2009	Chu .....	D8/68
D629,271 S *	12/2010	Dunkin .....	D8/68
D664,820 S *	8/2012	Furling .....	D8/29.1

D681,413 S *	5/2013	Kita .....	D8/68
D834,079 S *	11/2018	Cash .....	D15/144
D838,301 S *	1/2019	Prikler .....	D15/144
D867,842 S *	11/2019	Shimazu .....	D15/144
D935,294 S *	11/2021	Zhao .....	D8/68
D939,001 S	12/2021	Hidaka	
2015/0321281 A1 *	11/2015	Hobson .....	B23K 9/206 219/98

**OTHER PUBLICATIONS**

Bipidiqi, Arc Welder Hand Held Welding Machine, (first available Aug. 18, 2021), Amazon.com, URL:<<https://www.amazon.com/dp/B09CTN4J6T>> (Year: 2021).\*

Couponmall, "Here can I get this at 220v?", (embedded video posted Dec. 15, 2021), Amazon.com, URL:<<https://www.amazon.com/dp/B09CTN4J6T>> (Year: 2022).\*

(Continued)

*Primary Examiner* — Calvin E Vansant

*Assistant Examiner* — Mark T. Philipps

(74) *Attorney, Agent, or Firm* — True Shepherd, LLC;  
Andrew Cheng

(57) **CLAIM**

The ornamental design for a hand held welding machine, as shown and described.

**DESCRIPTION**

FIG. 1 is a front, left and bottom perspective view of a hand held welding machine, showing my design.

FIG. 2 is a rear, right and top perspective view thereof.

FIG. 3 is a front elevation view thereof.

FIG. 4 is a rear elevation view thereof.

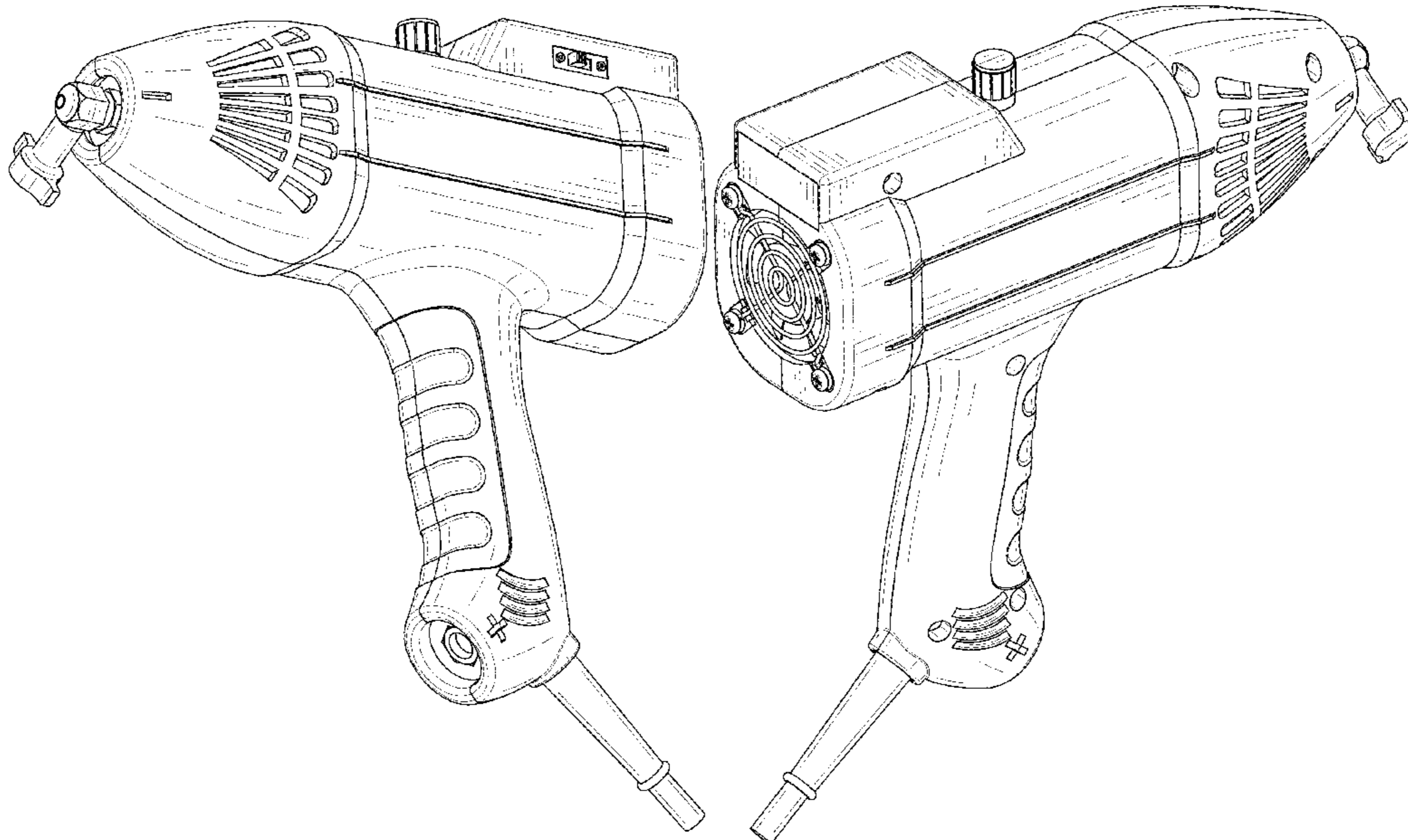
FIG. 5 is a left side elevation view thereof.

FIG. 6 is a right side elevation view thereof.

FIG. 7 is a top plan view thereof; and,

FIG. 8 is a bottom plan view thereof.

**1 Claim, 8 Drawing Sheets**



(56)

**References Cited**

OTHER PUBLICATIONS

Btobi, Portable MMA Welder Machine Gun, (first available May 11, 2022), Amazon.com, URL:<<https://www.amazon.com/dp/B0B135F3Z3>> (Year: 2022).\*

LB Lifbetter, Portable Electric Welding Machine, (first available Jul. 12, 2021), Amazon.com, URL:<<https://www.amazon.com/LB-LIFBETTER-Eliminates-Dual-Purpose-Household/dp/B0995P1XYG>> (Year: 2021).\*

Yiocuken, Arc Welding Machine 600W 160A Intelligent Handheld Welding Machine, (site visited Jul. 28, 2022), Alexnld.com website, URL:<<https://alexnld.com/product/arc-welding-machine-600w-160a-intelligent-handheld-welding-machine-tools-2-5-3-2mm-rods/>> (Year: 2022).\*

TTiiiiiii, Handheld Welding Machine, (first available Mar. 22, 2022), Amazon.com, URL:<<https://www.amazon.com/do/B09W4HQVBJ>> (Year: 2022).\*

\* cited by examiner

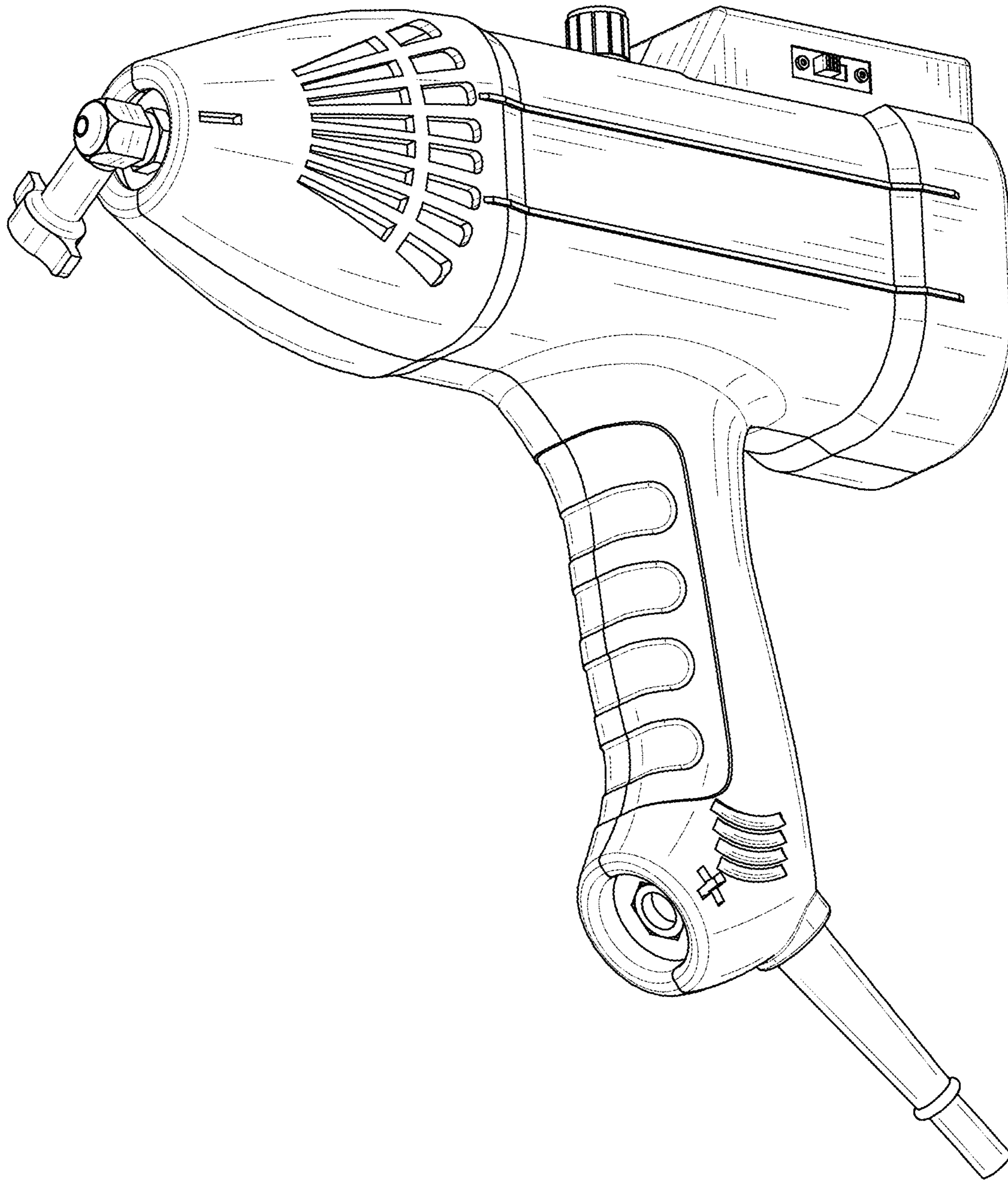


FIG. 1

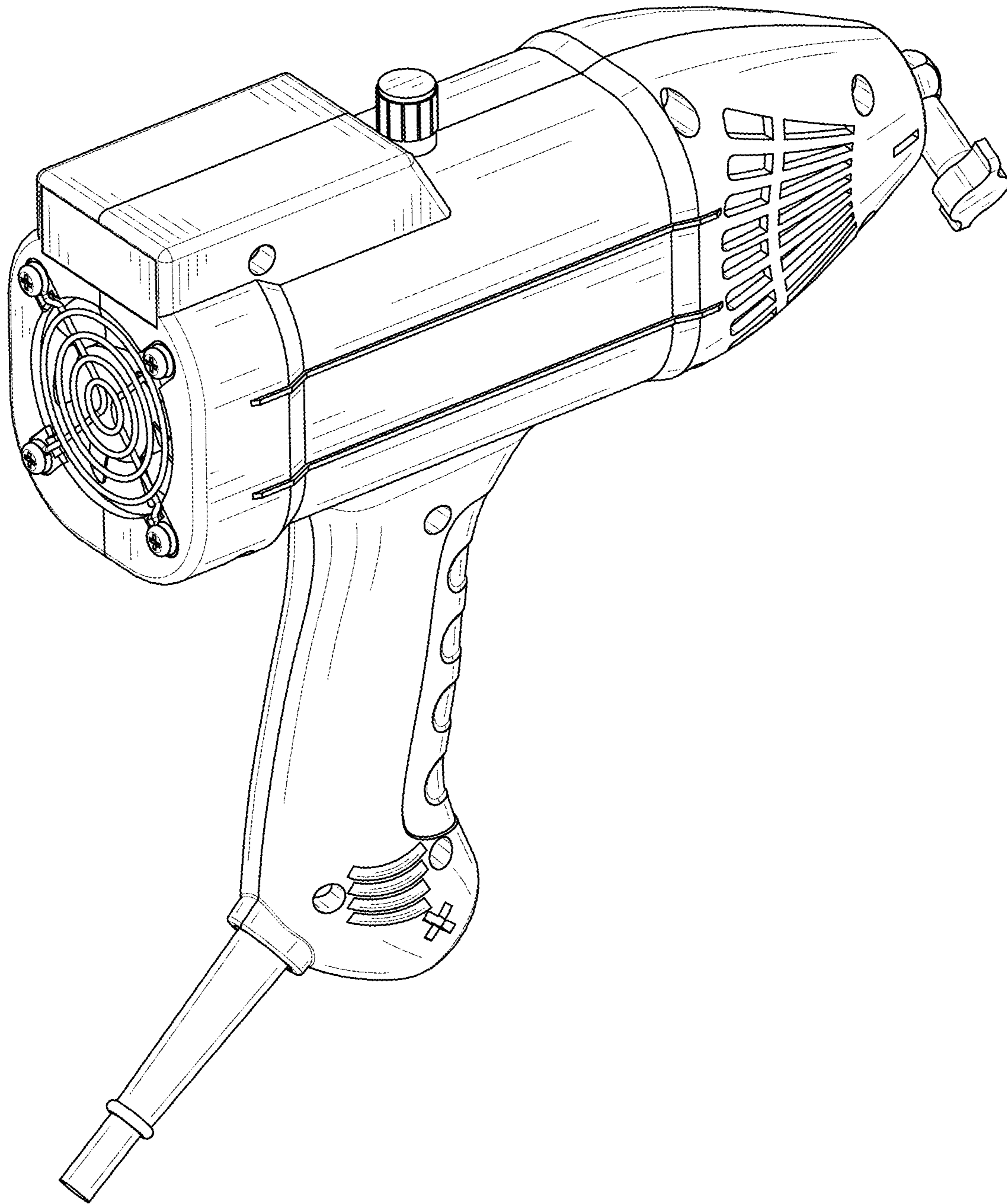


FIG.2

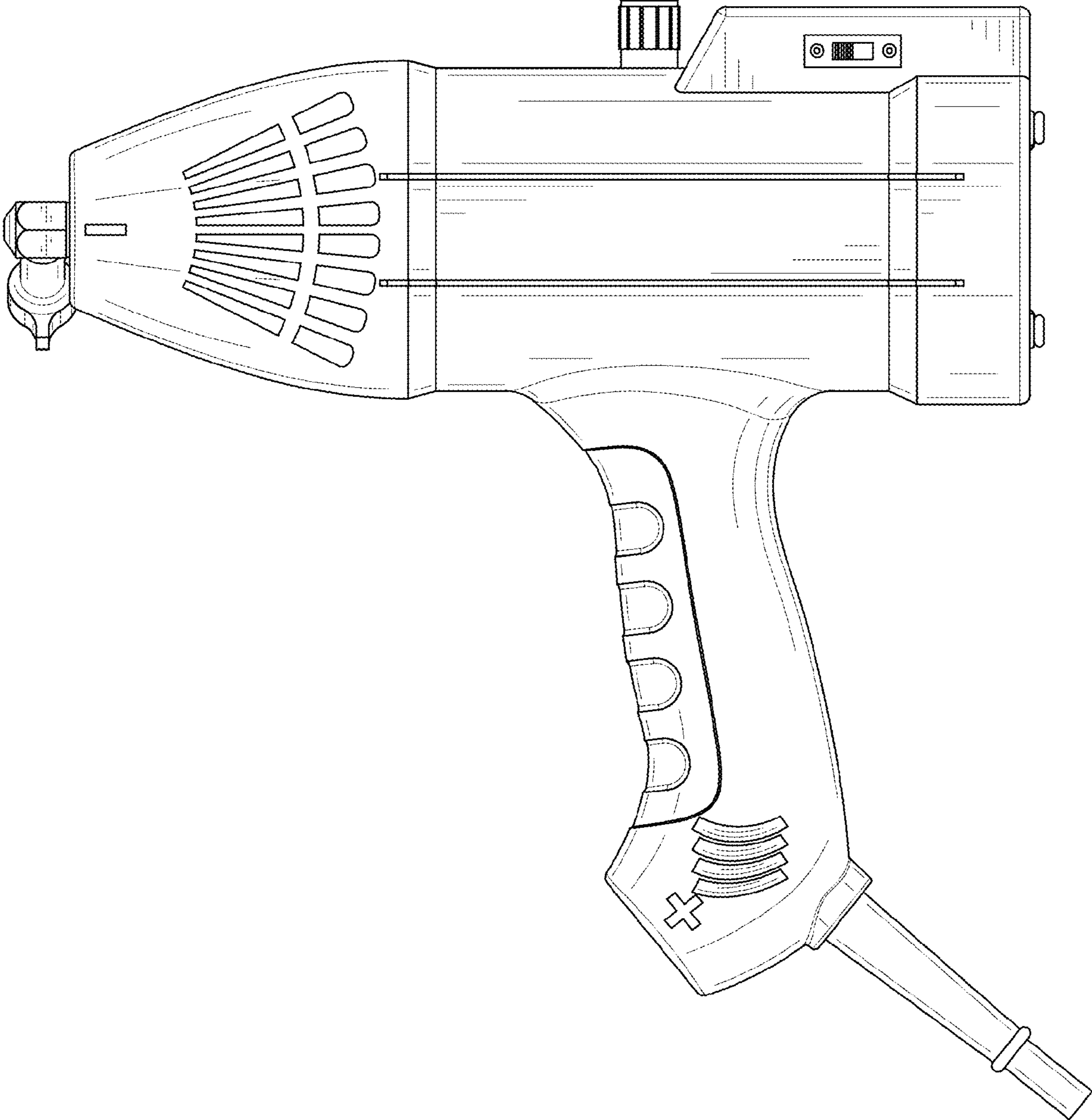


FIG. 3

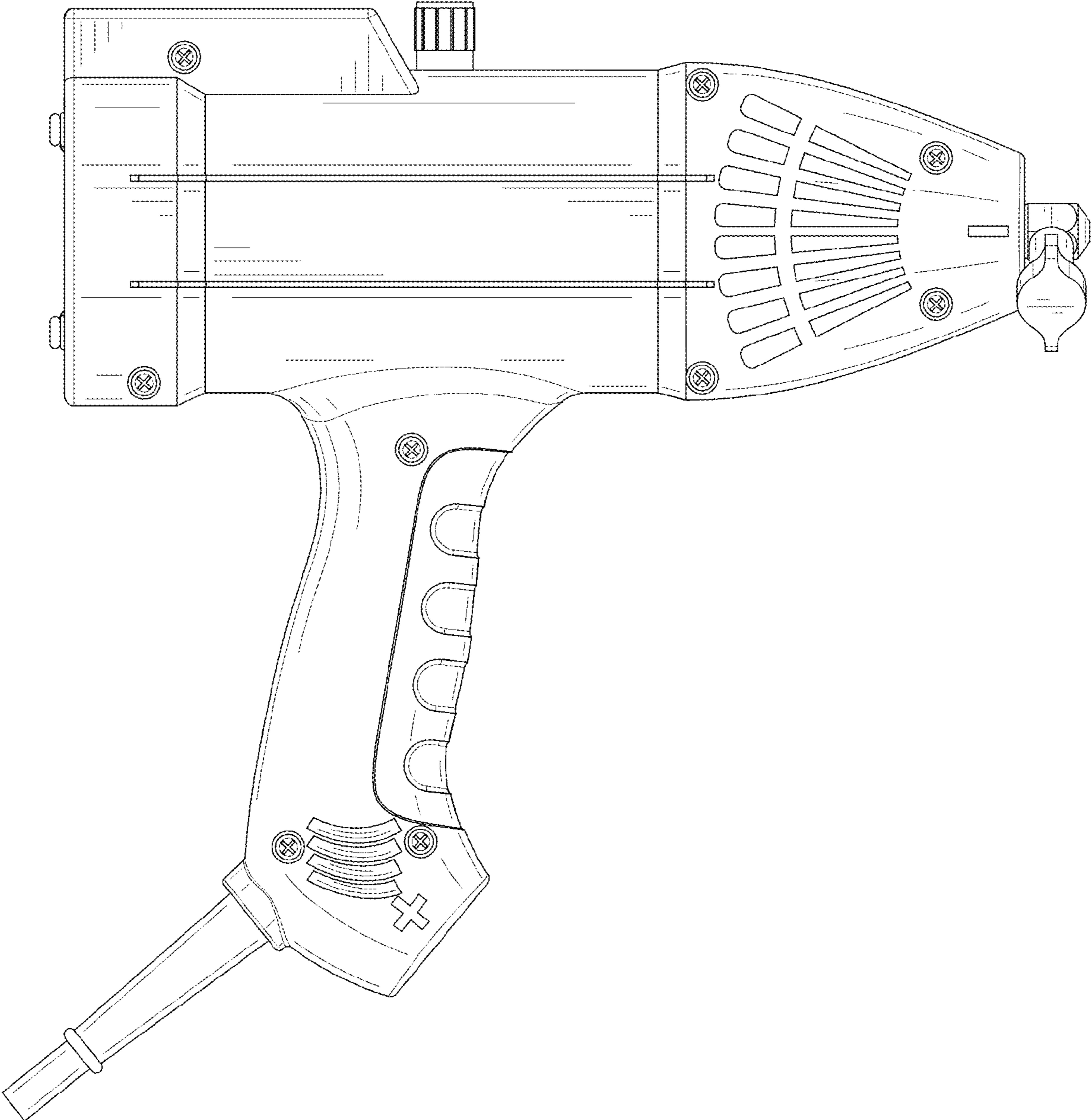


FIG. 4

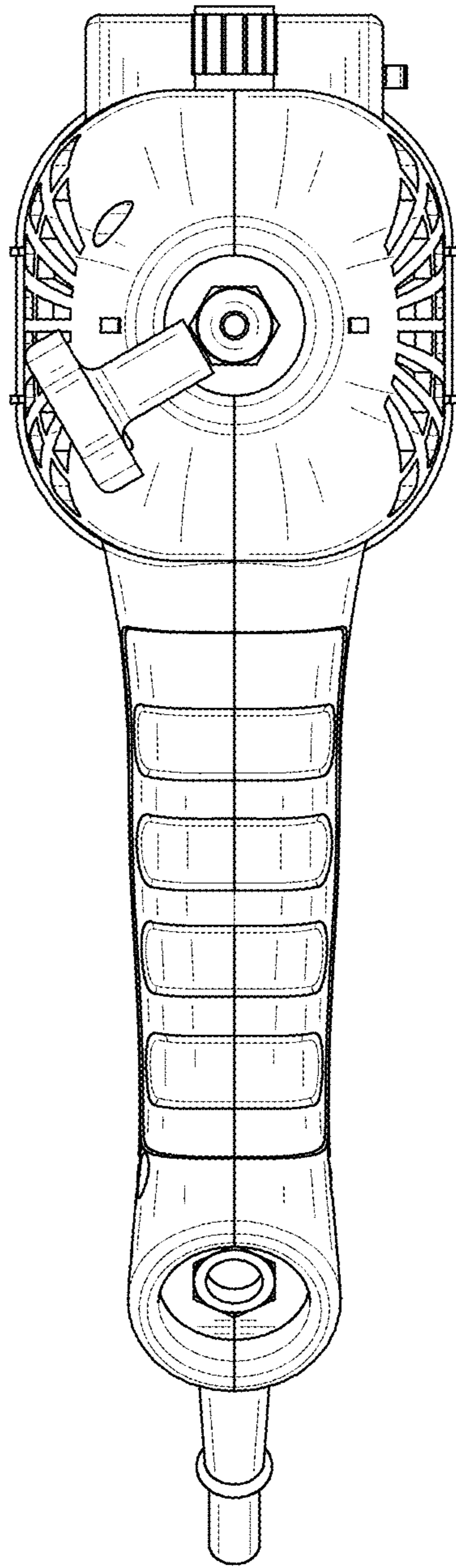


FIG. 5

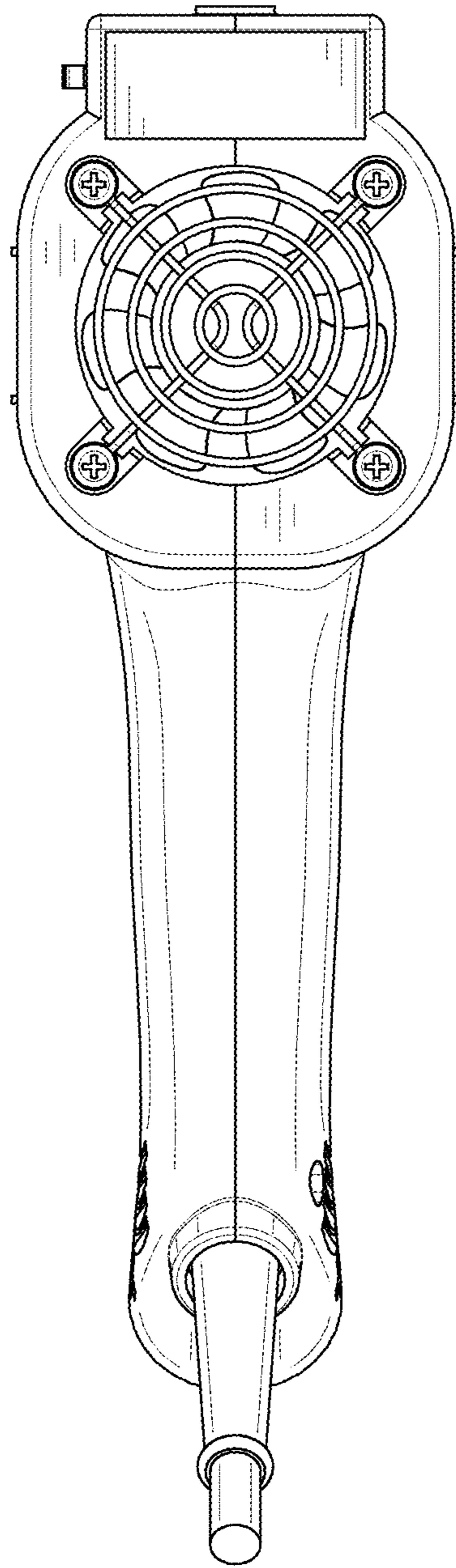


FIG. 6



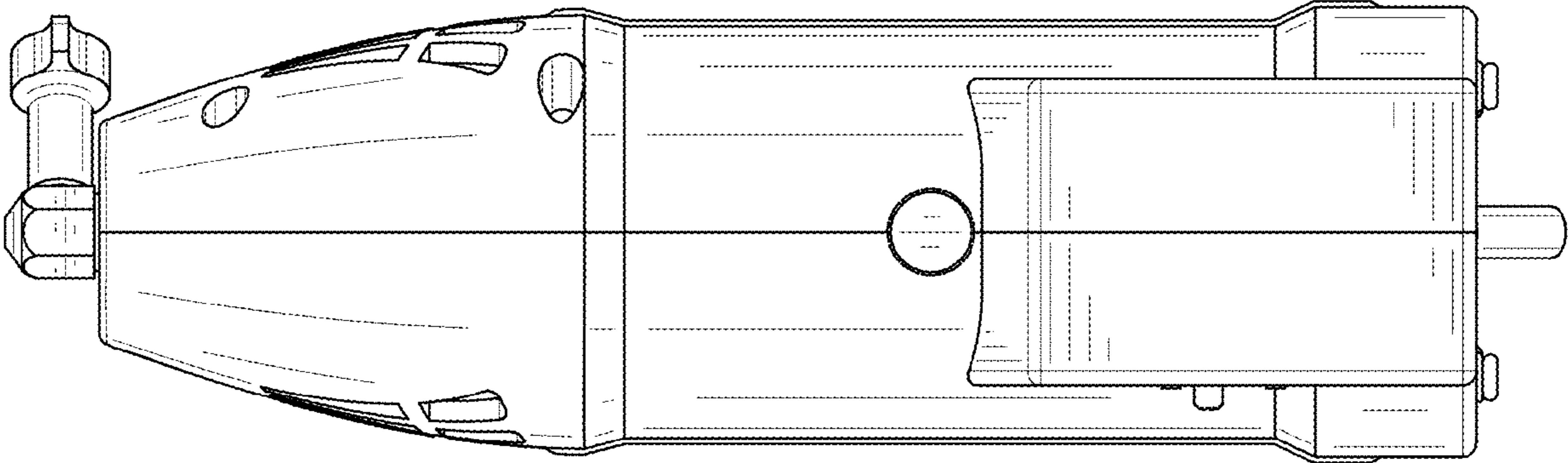


FIG. 7

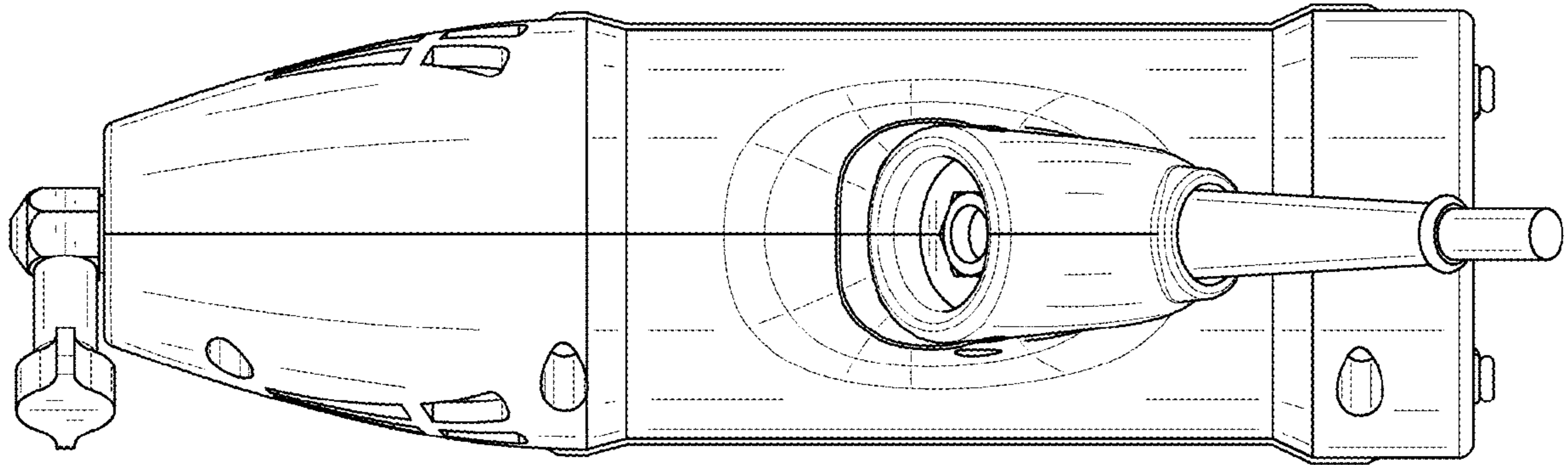


FIG. 8