



US00D972609S

(12) **United States Design Patent** (10) **Patent No.:** **US D972,609 S**
Tsai (45) **Date of Patent:** **** Dec. 13, 2022**

(54) **GAS COMBUSTOR**
 (71) Applicant: **ROBURN COMPANY LTD.**, New Taipei (TW)
 (72) Inventor: **Chin-Lin Tsai**, New Taipei (TW)
 (73) Assignee: **ROBURN COMPANY LTD.**, New Taipei (TW)

2009/0098494 A1* 4/2009 Aronson, II F23D 14/28
 431/153
 2011/0108299 A1* 5/2011 Wei B25D 17/00
 173/90
 2017/0291291 A1* 10/2017 Chen B25F 5/02
 2020/0208834 A1* 7/2020 Tsai F23D 14/38
 2020/0386402 A1* 12/2020 Tsai F23D 14/465
 2021/0381689 A1* 12/2021 Tsai F23D 14/72

* cited by examiner

(**) Term: **15 Years**

Primary Examiner — Ania Aman

(21) Appl. No.: **29/758,056**

(74) *Attorney, Agent, or Firm* — Guice Patents PLLC

(22) Filed: **Nov. 12, 2020**

(57) **CLAIM**

(30) **Foreign Application Priority Data**

The ornamental design for a gas combustor, as shown and described.

Jun. 4, 2020 (TW) 109303000

(51) **LOC (13) Cl.** **15-09**

DESCRIPTION

(52) **U.S. Cl.**
USPC **D15/144**

(58) **Field of Classification Search**
USPC D15/5, 7, 144; D8/30, 17; D19/177
CPC F01P 3/06; F01P 3/08; F01P 3/10
See application file for complete search history.

FIG. 1 is a perspective view of a gas combustor showing the design;

FIG. 2 is a front side elevation view thereof;

FIG. 3 is a rear side elevation view thereof;

FIG. 4 is a left side elevation view thereof;

FIG. 5 is a right side elevation view thereof;

FIG. 6 is a top plan view thereof; and,

FIG. 7 is a bottom plan view thereof.

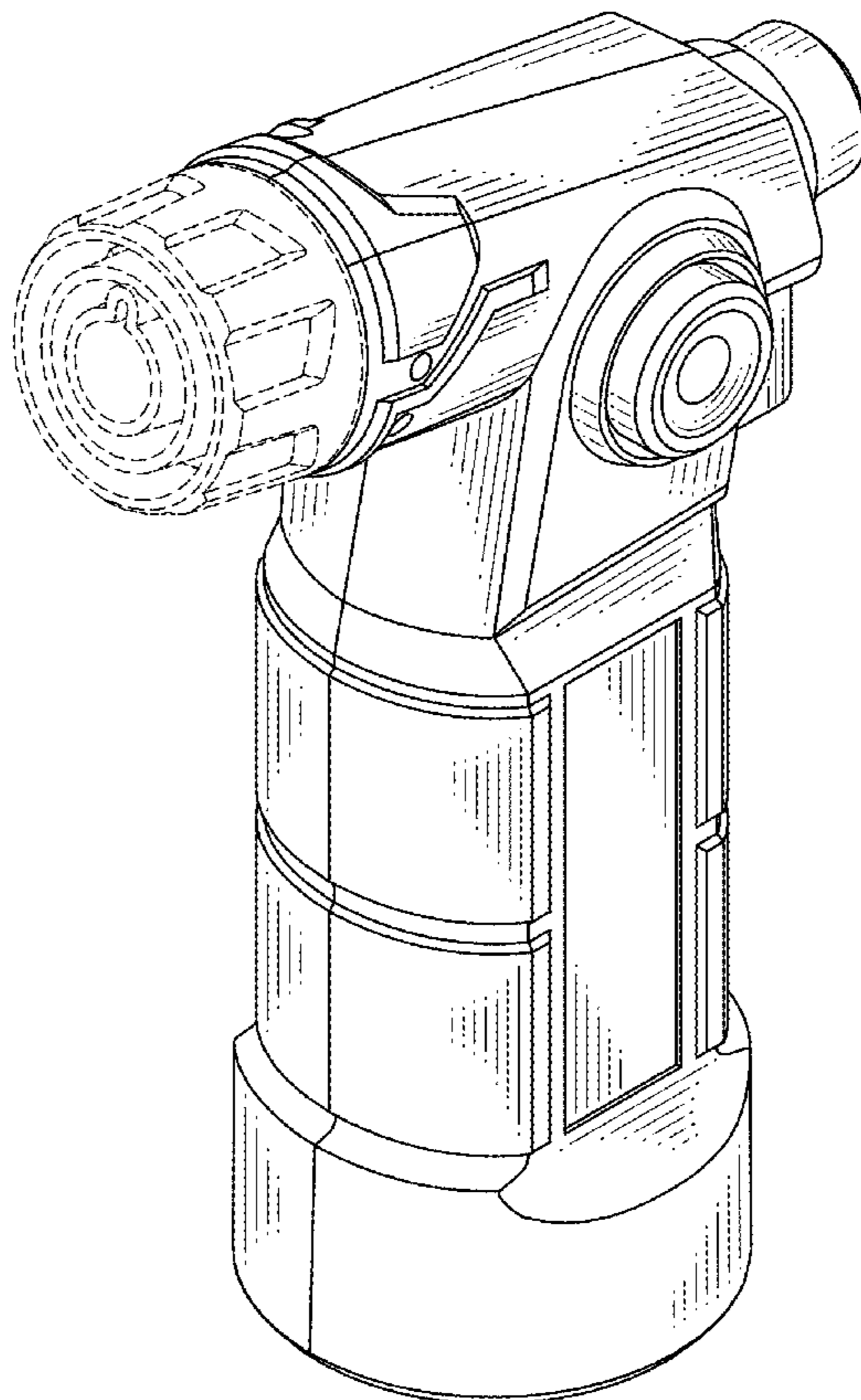
The broken lines show portions of a gas combustor that form no part of the claimed design.

(56) **References Cited**

U.S. PATENT DOCUMENTS

D905,522 S * 12/2020 Tsai D8/30
D911,400 S * 2/2021 Tsai D7/416

1 Claim, 7 Drawing Sheets



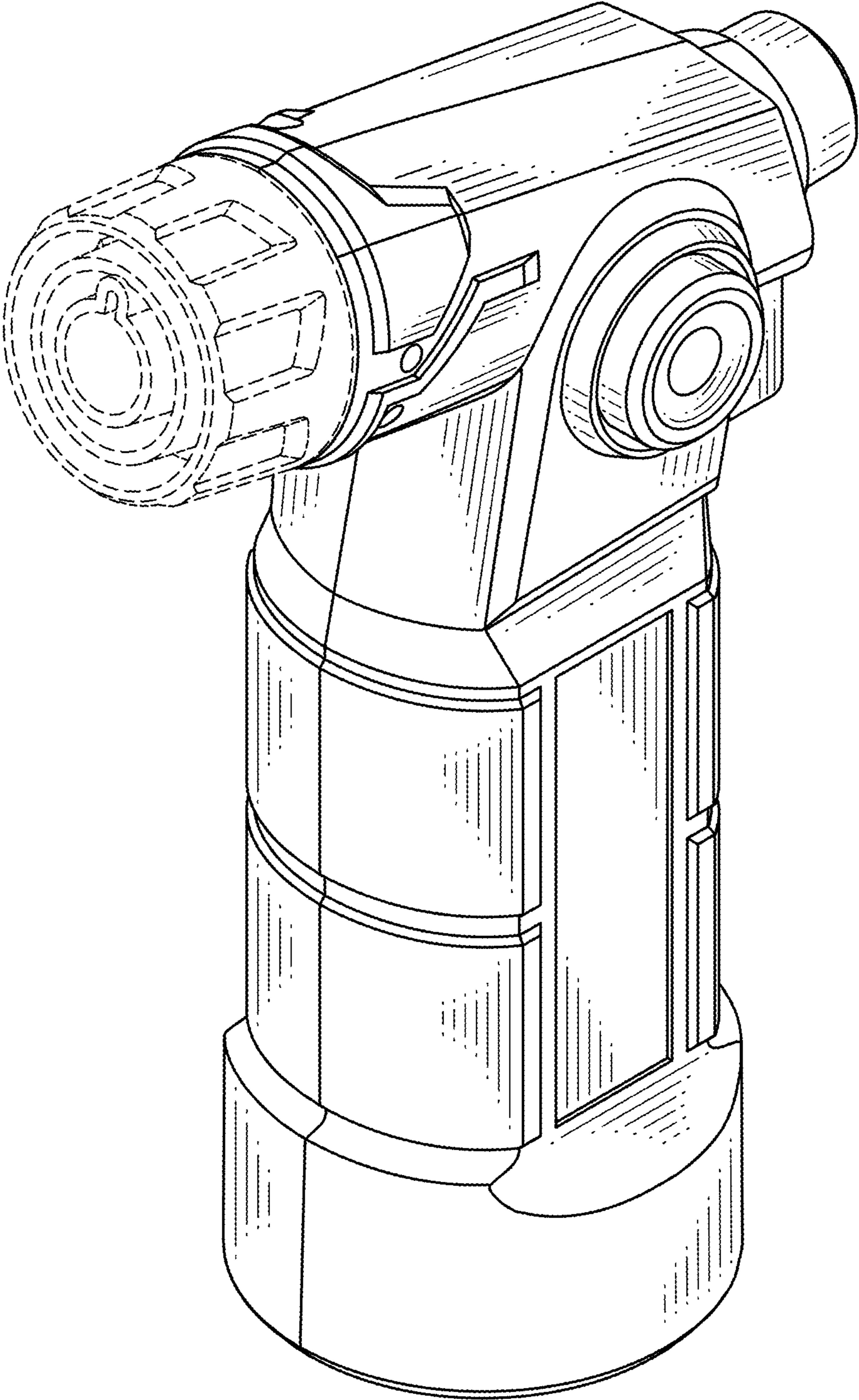


FIG. 1

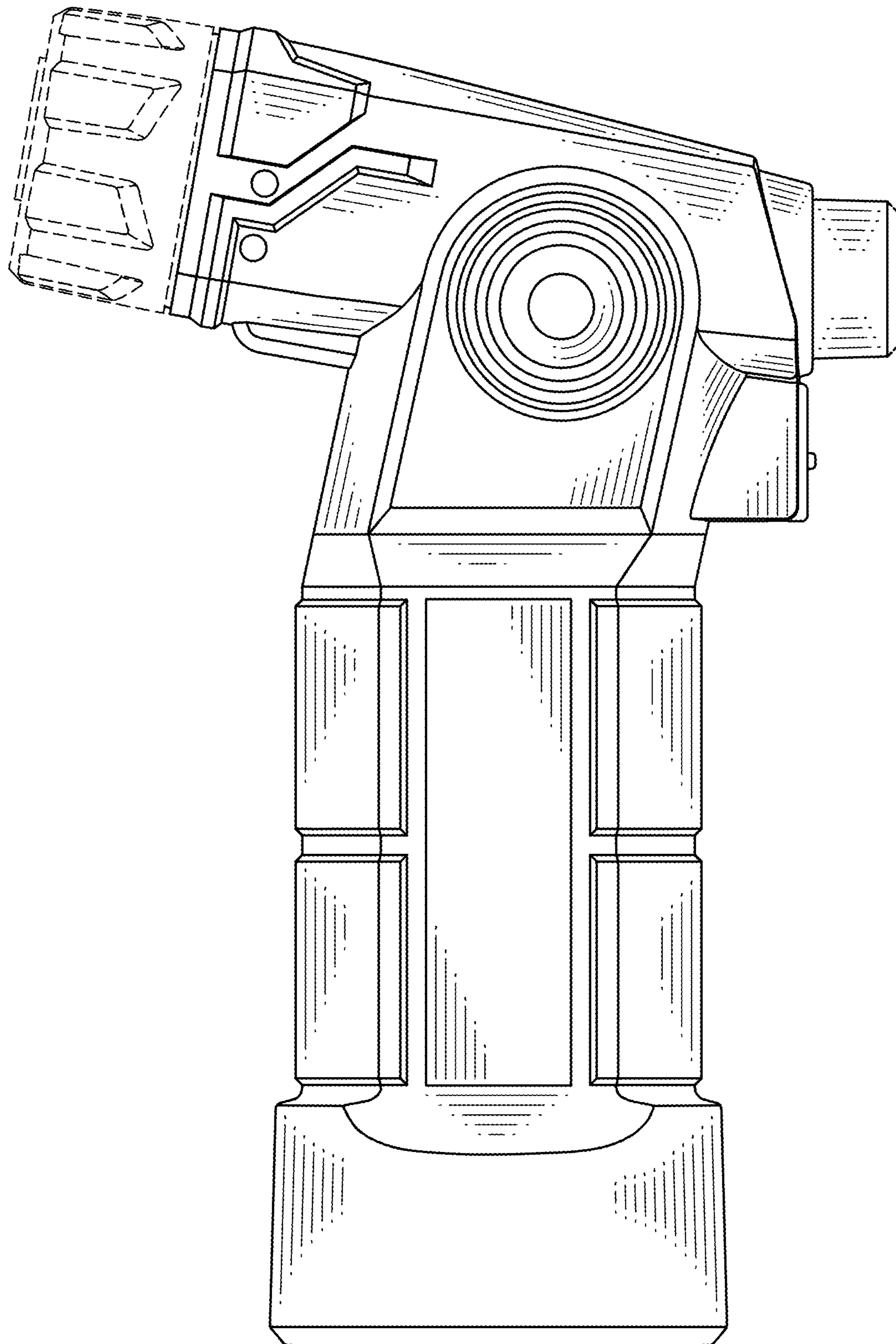


FIG. 2

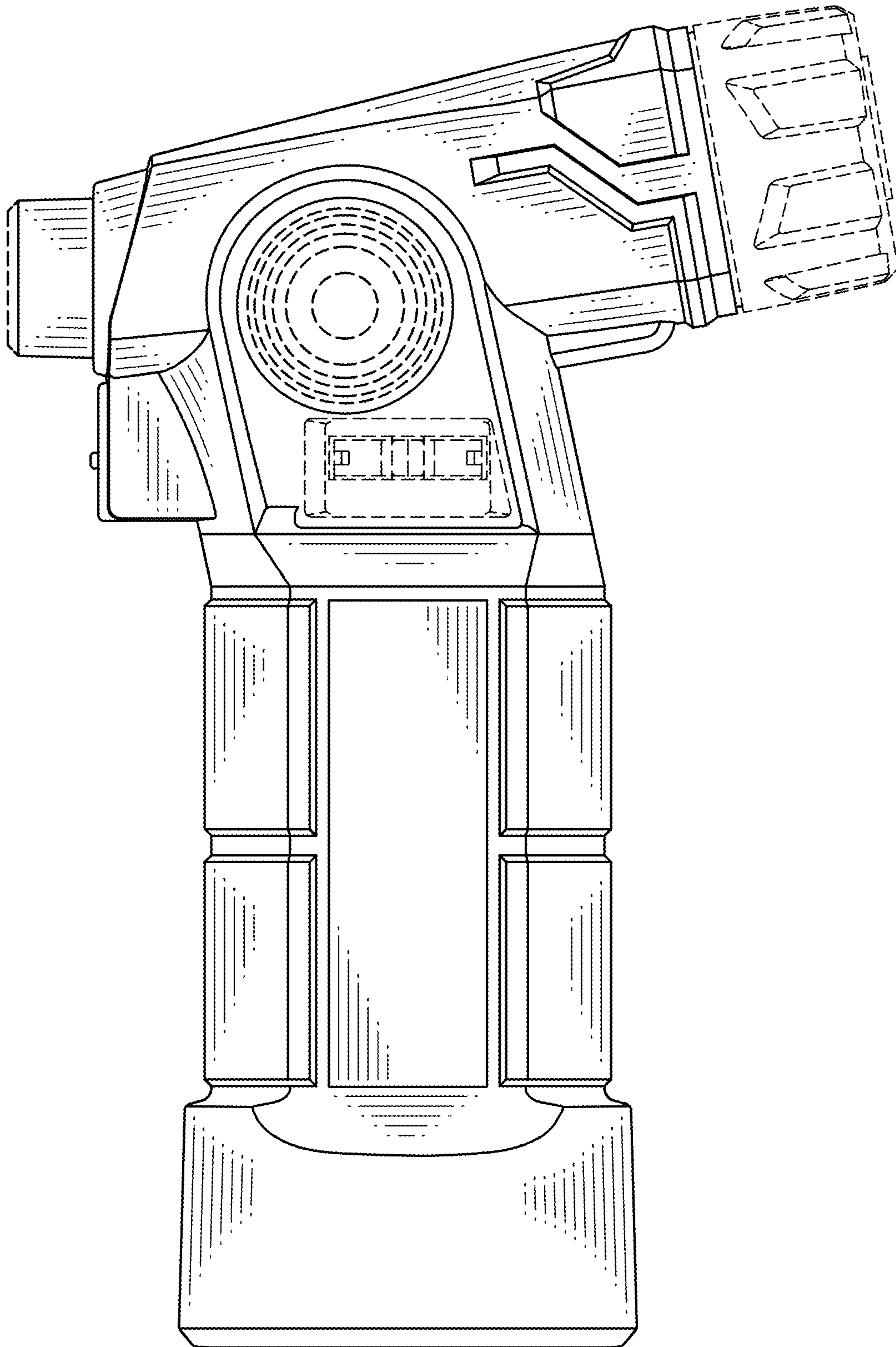


FIG. 3

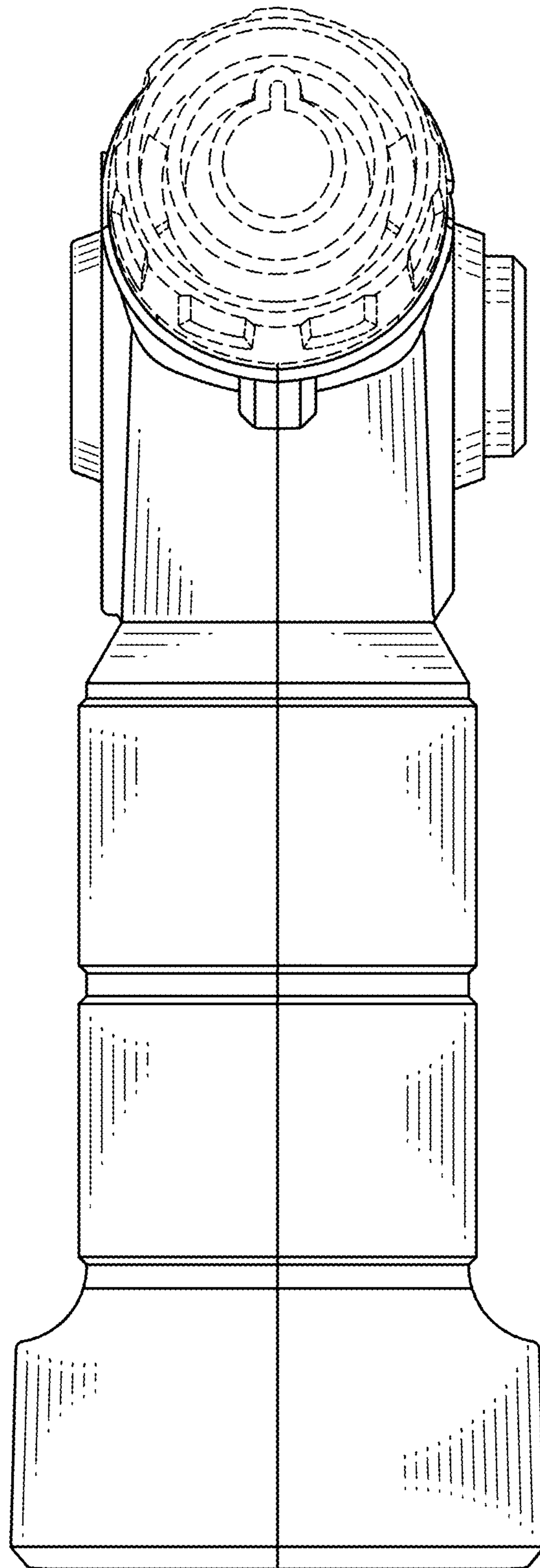


FIG. 4

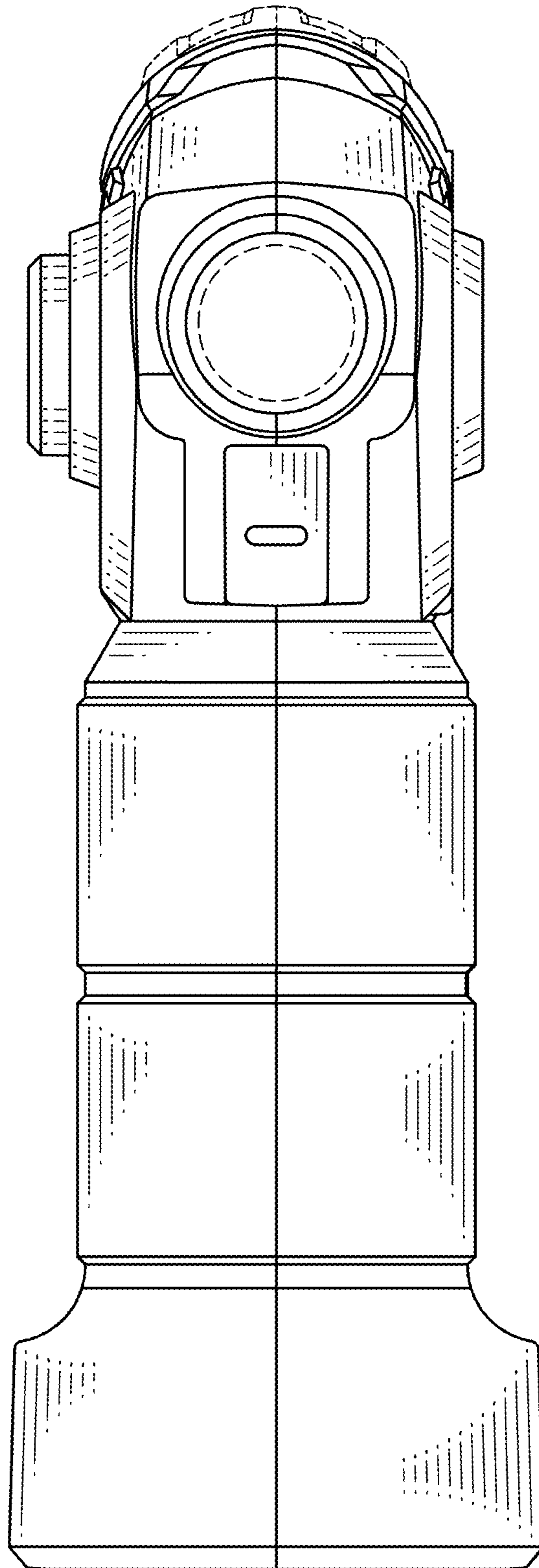


FIG. 5

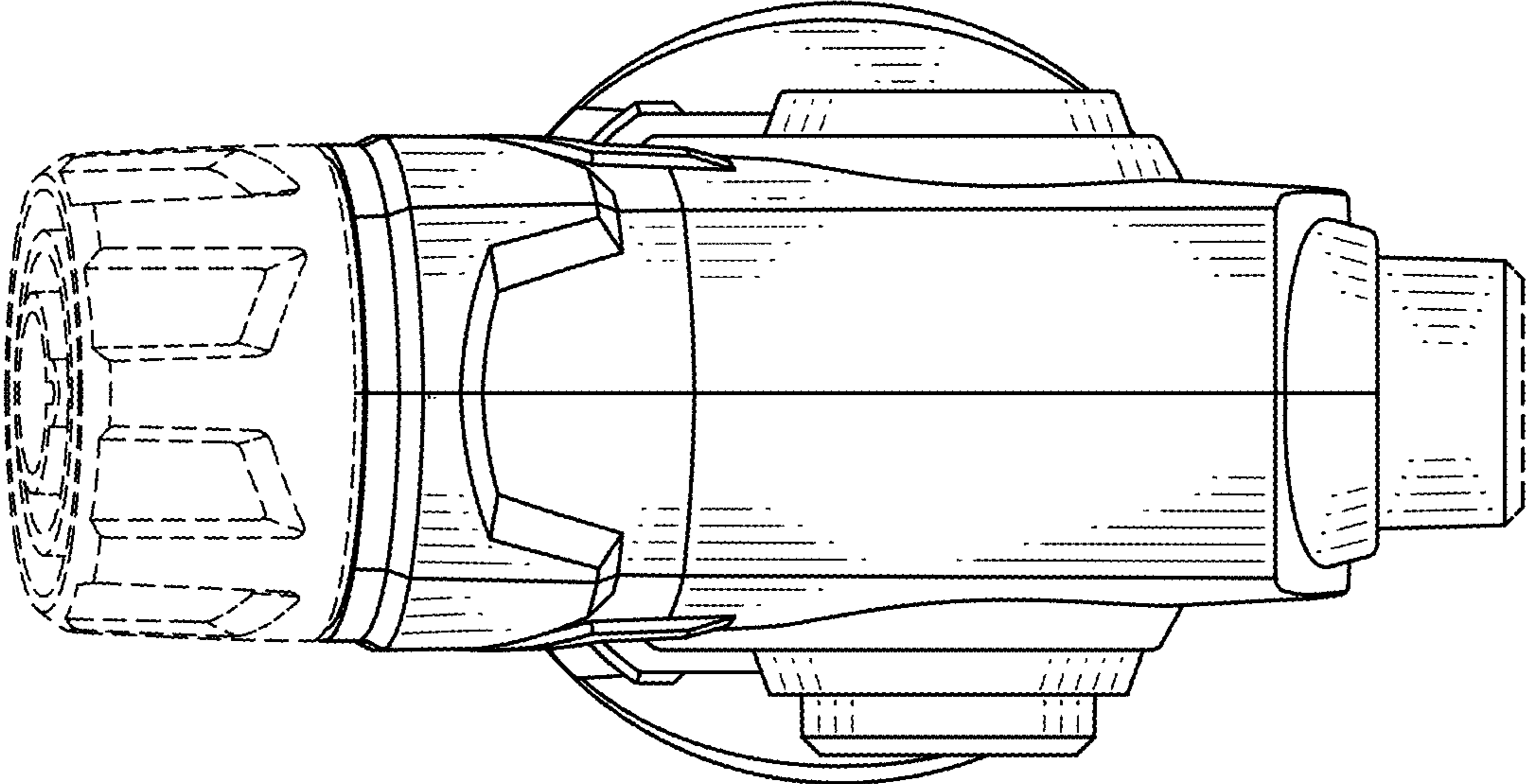


FIG. 6

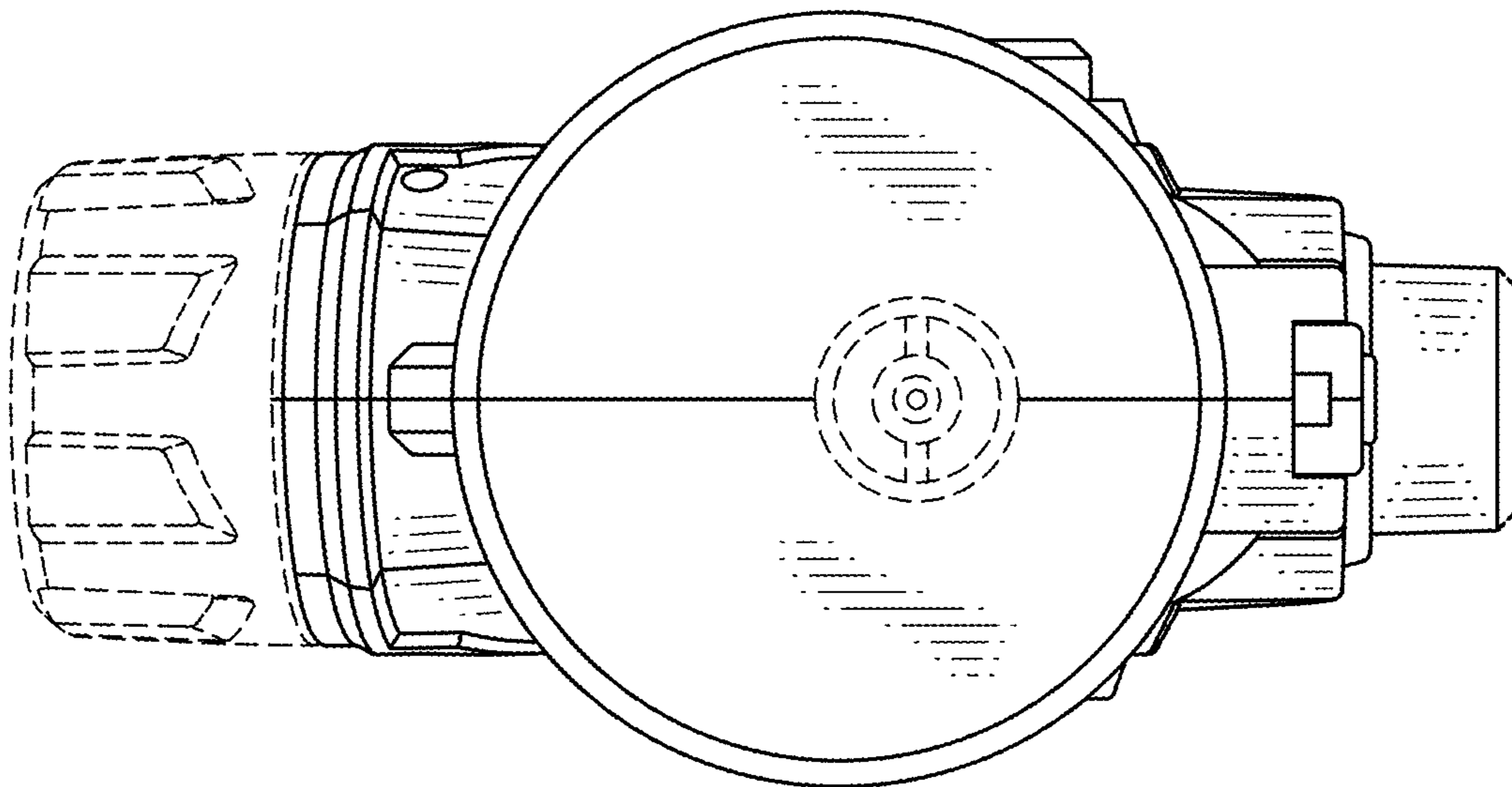


FIG. 7