



US00D972605S

(12) **United States Design Patent**  
**Geng et al.**

(10) **Patent No.:** **US D972,605 S**

(45) **Date of Patent:** **\*\* Dec. 13, 2022**

(54) **BACKHOE LOADER**

E02F 3/04; E02F 3/96; E02F 3/964;  
B62D 21/186; B62D 49/06

(71) Applicant: **JiangSu XCMG Construction Machinery Research Institute LTD.,**  
Jiangsu (CN)

See application file for complete search history.

(72) Inventors: **Yanbo Geng,** Jiangsu (CN); **Yimin Zhang,** Jiangsu (CN); **Sicheng Shen,** Jiangsu (CN)

(56) **References Cited**

U.S. PATENT DOCUMENTS

(73) Assignee: **JiangSu XCMG Construction Machinery Research Institute LTD.,**  
Jiangsu (CN)

D628,599 S \* 12/2010 Major ..... D15/25  
D629,017 S \* 12/2010 Major ..... D15/25  
D909,423 S \* 2/2021 Zhao ..... D15/25  
D912,101 S \* 3/2021 Pastier ..... D15/25

\* cited by examiner

(\*\*) Term: **15 Years**

*Primary Examiner* — Mark A Goodwin

(21) Appl. No.: **29/794,037**

(74) *Attorney, Agent, or Firm* — JCIP Global Inc.

(22) Filed: **Jun. 10, 2021**

(57) **CLAIM**

The ornamental design for a backhoe loader, as shown.

(30) **Foreign Application Priority Data**

**DESCRIPTION**

Dec. 30, 2020 (CN) ..... 202030818294.5

(51) **LOC (13) Cl.** ..... **15-03**

(52) **U.S. Cl.**  
USPC ..... **D15/25**

(58) **Field of Classification Search**  
USPC ..... D15/10, 22-26, 33  
CPC ..... E02F 9/2004; E02F 9/07; E02F 9/2091;  
E02F 9/2246; E02F 9/2292; E02F 9/026;  
E02F 9/0808; E02F 9/0833; E02F 9/0858;  
E02F 9/0875; E02F 9/2045; E02F 3/627;  
E02F 3/425; E02F 3/437; E02F 3/325;  
E02F 3/352; E02F 3/384; E02F 3/00;

FIG. 1 is a perspective view of a backhoe loader showing our new design;

FIG. 2 is another perspective view thereof;

FIG. 3 is a front view thereof;

FIG. 4 is a rear view thereof;

FIG. 5 is a left side view thereof;

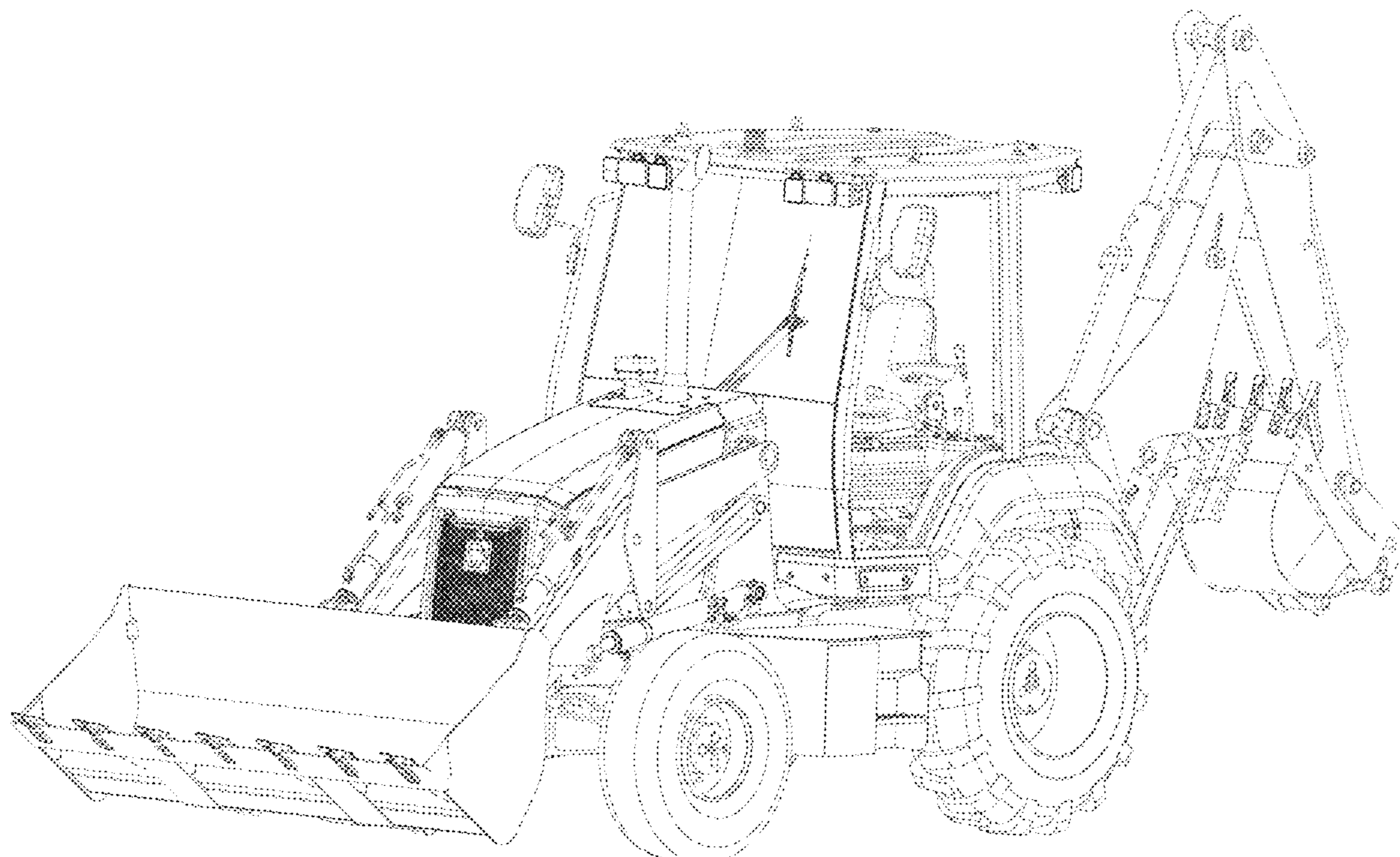
FIG. 6 is an enlarged left side view thereof;

FIG. 7 is a right side view thereof;

FIG. 8 is an enlarged right side view thereof; and,

FIG. 9 is a top view thereof.

**1 Claim, 9 Drawing Sheets**



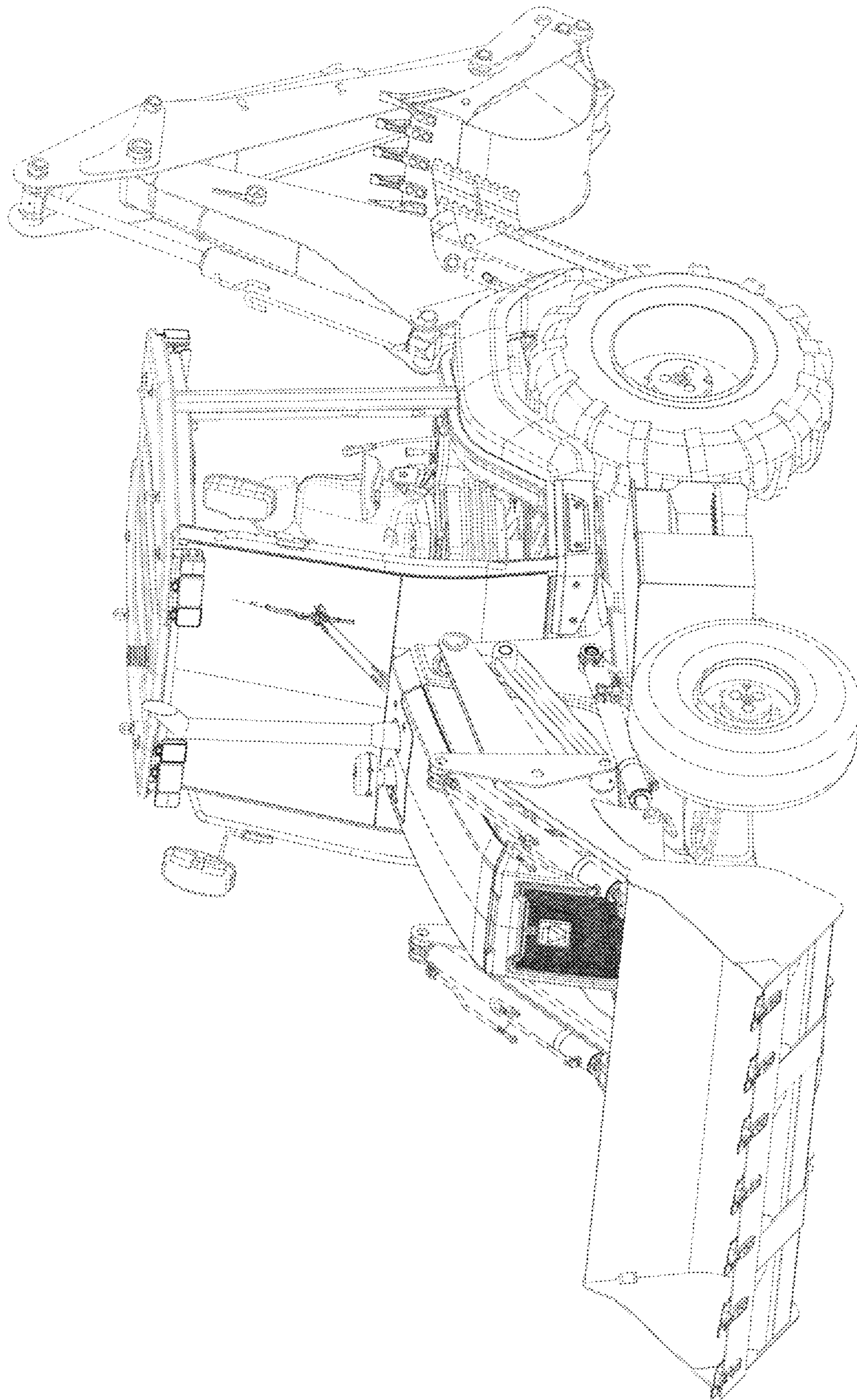


FIG. 1

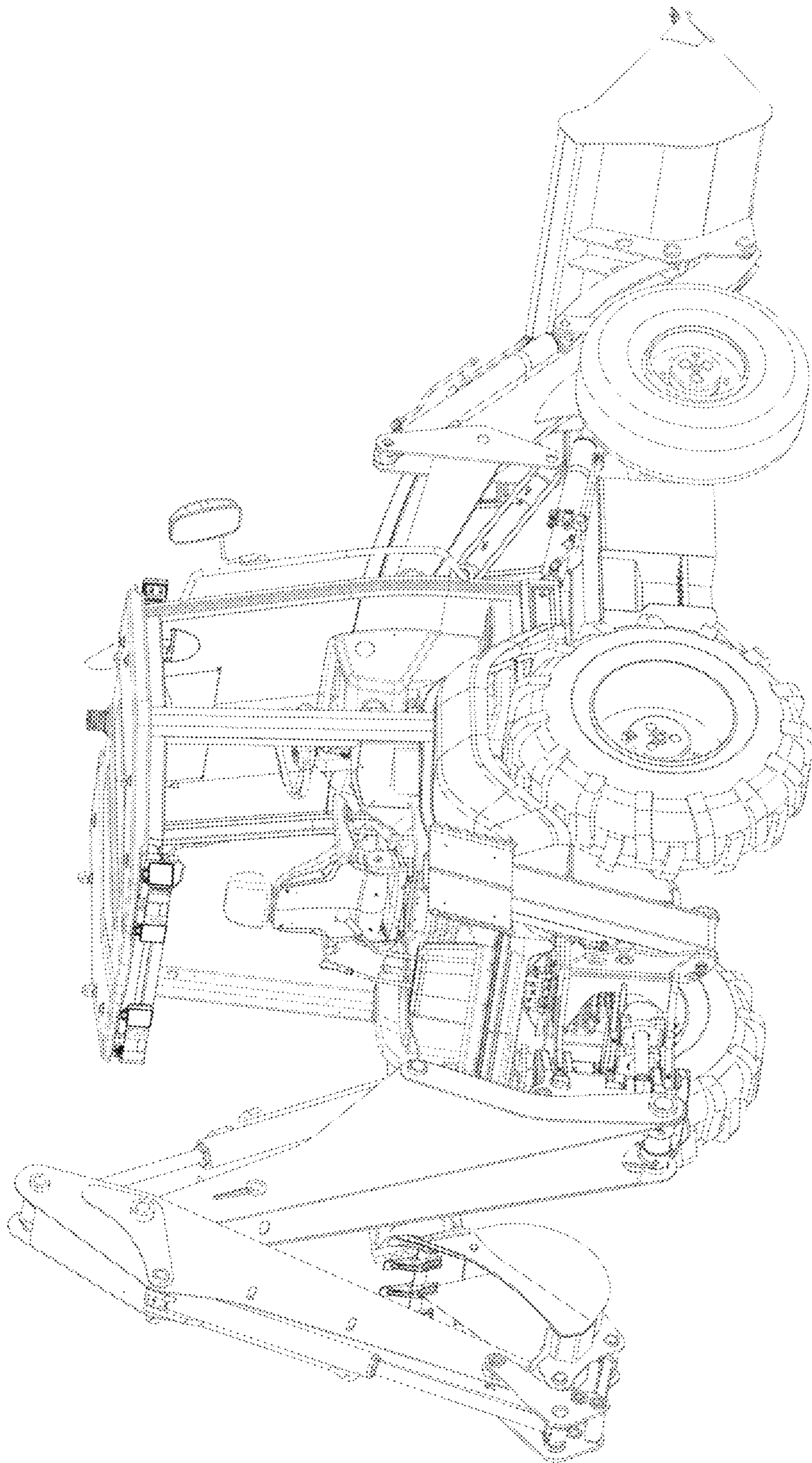


FIG. 2

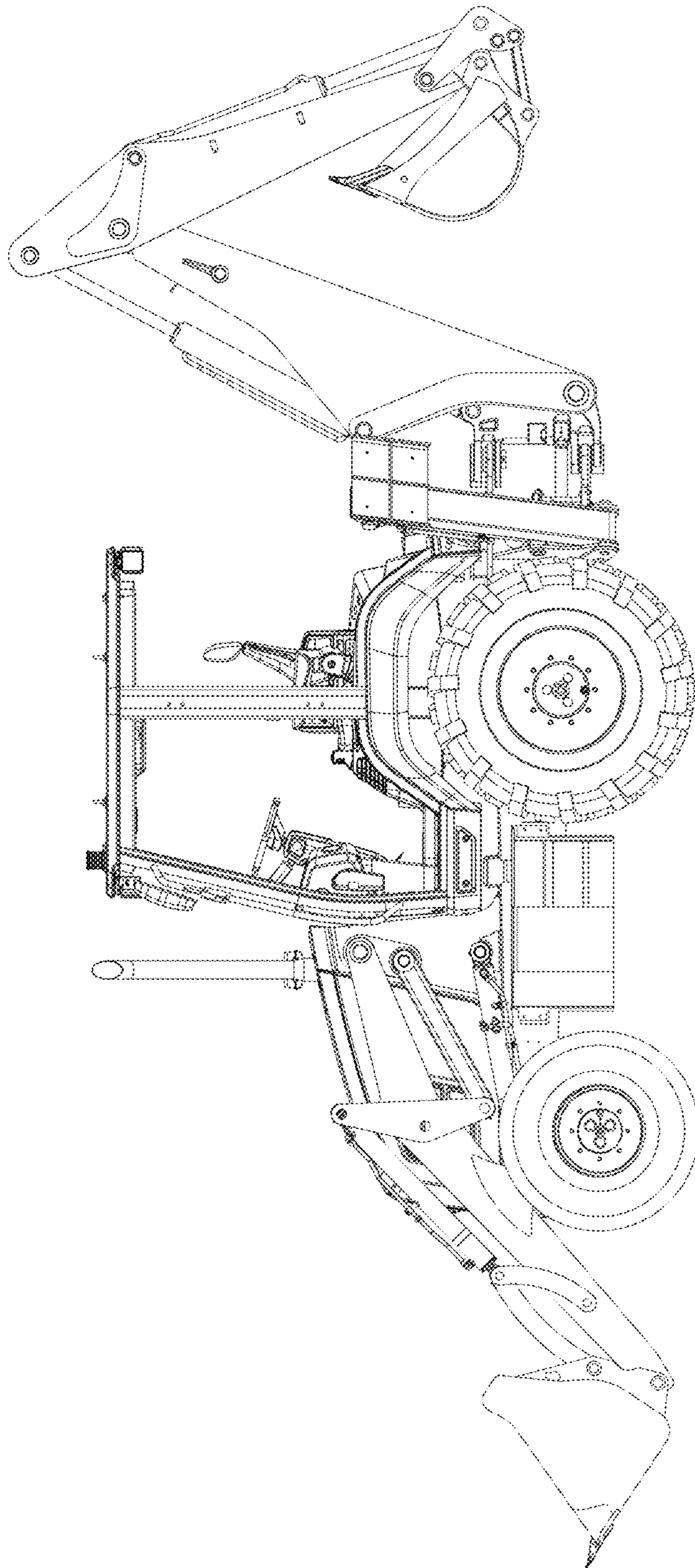


FIG. 3

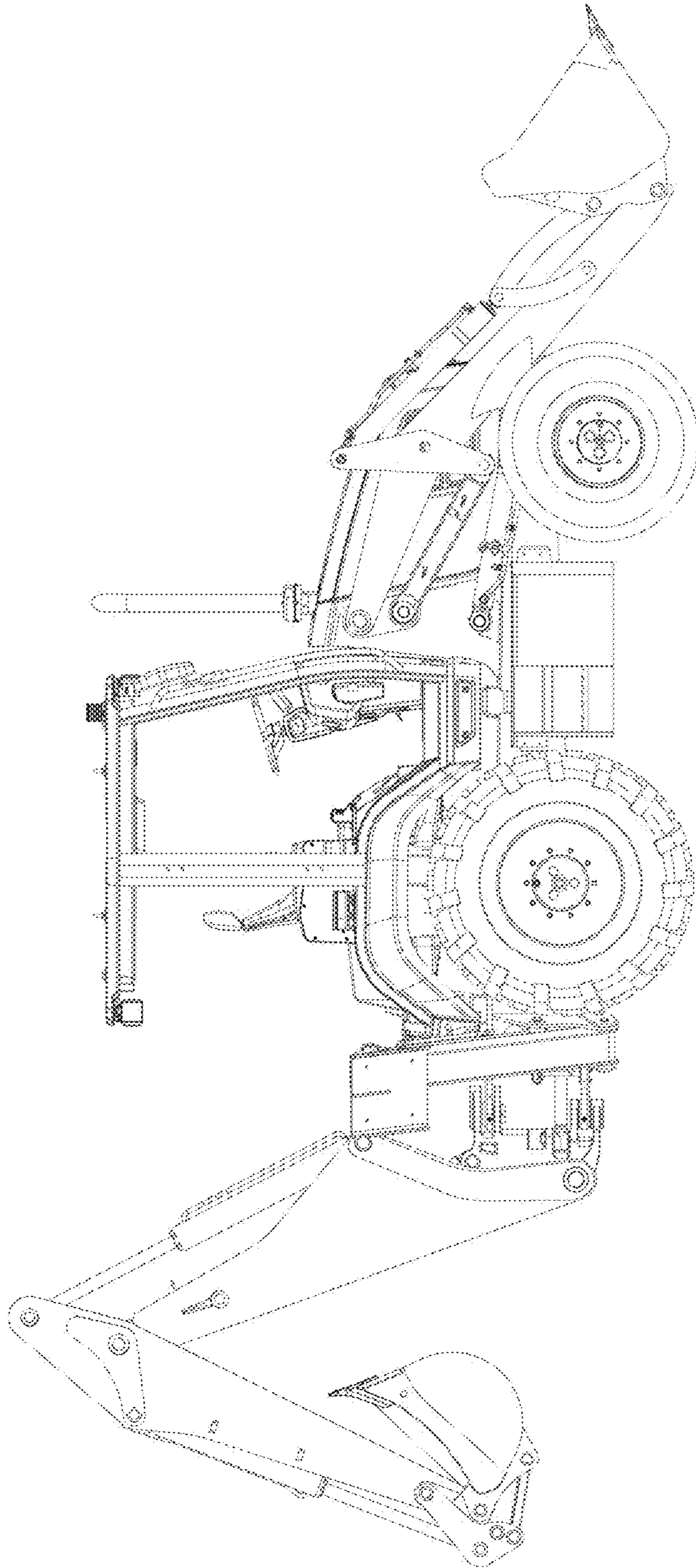


FIG. 4

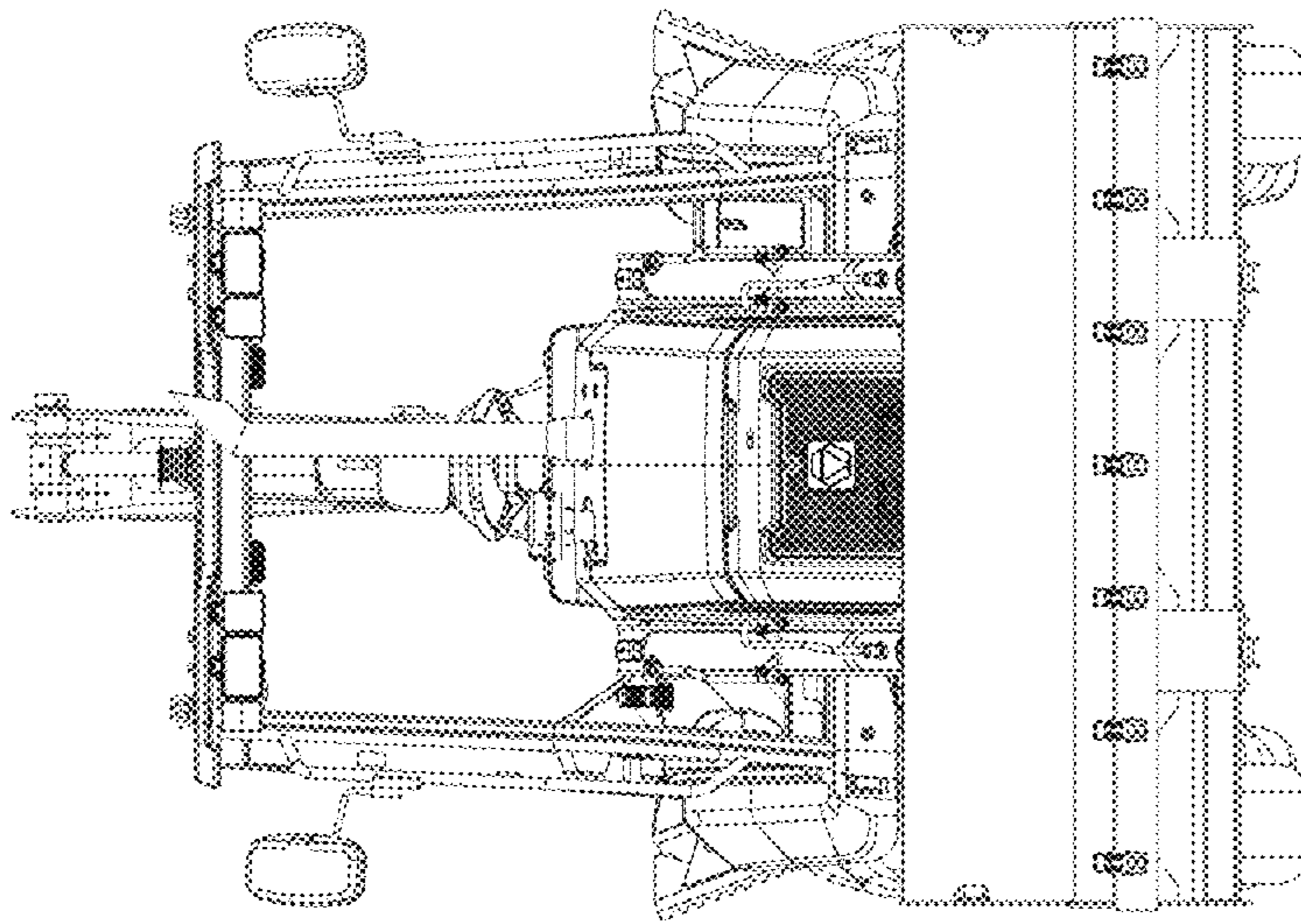


FIG. 5

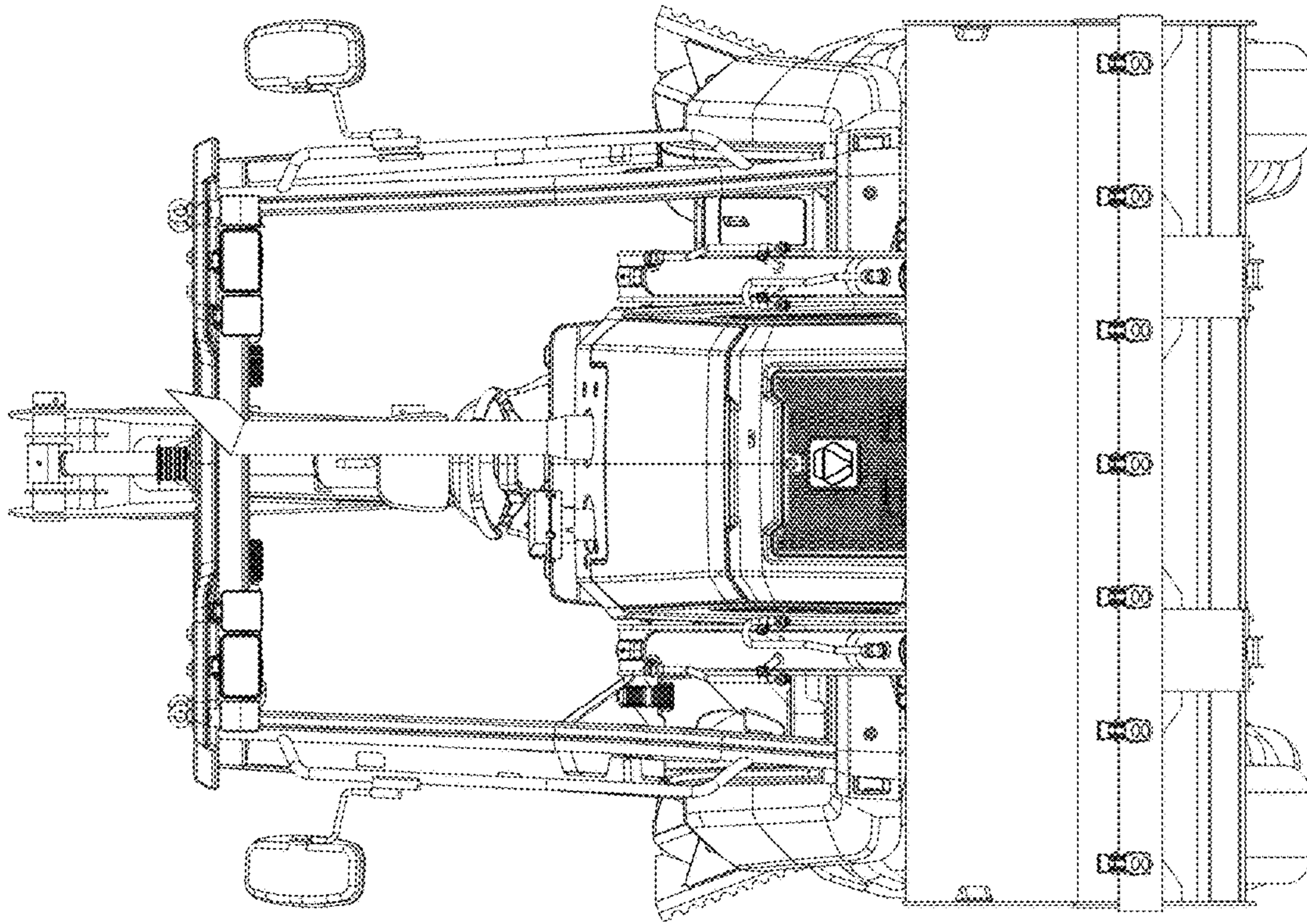


FIG. 6

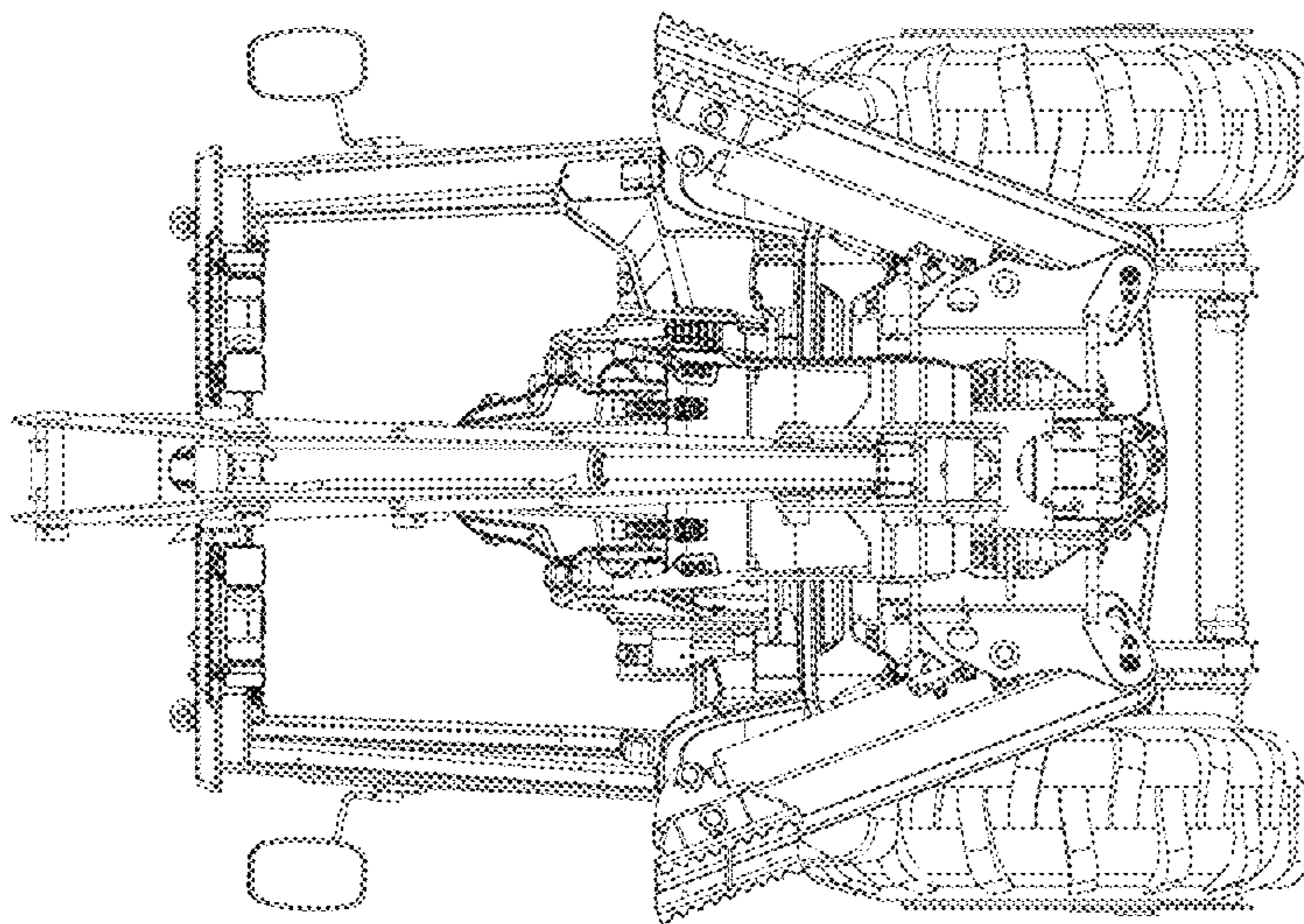


FIG. 7



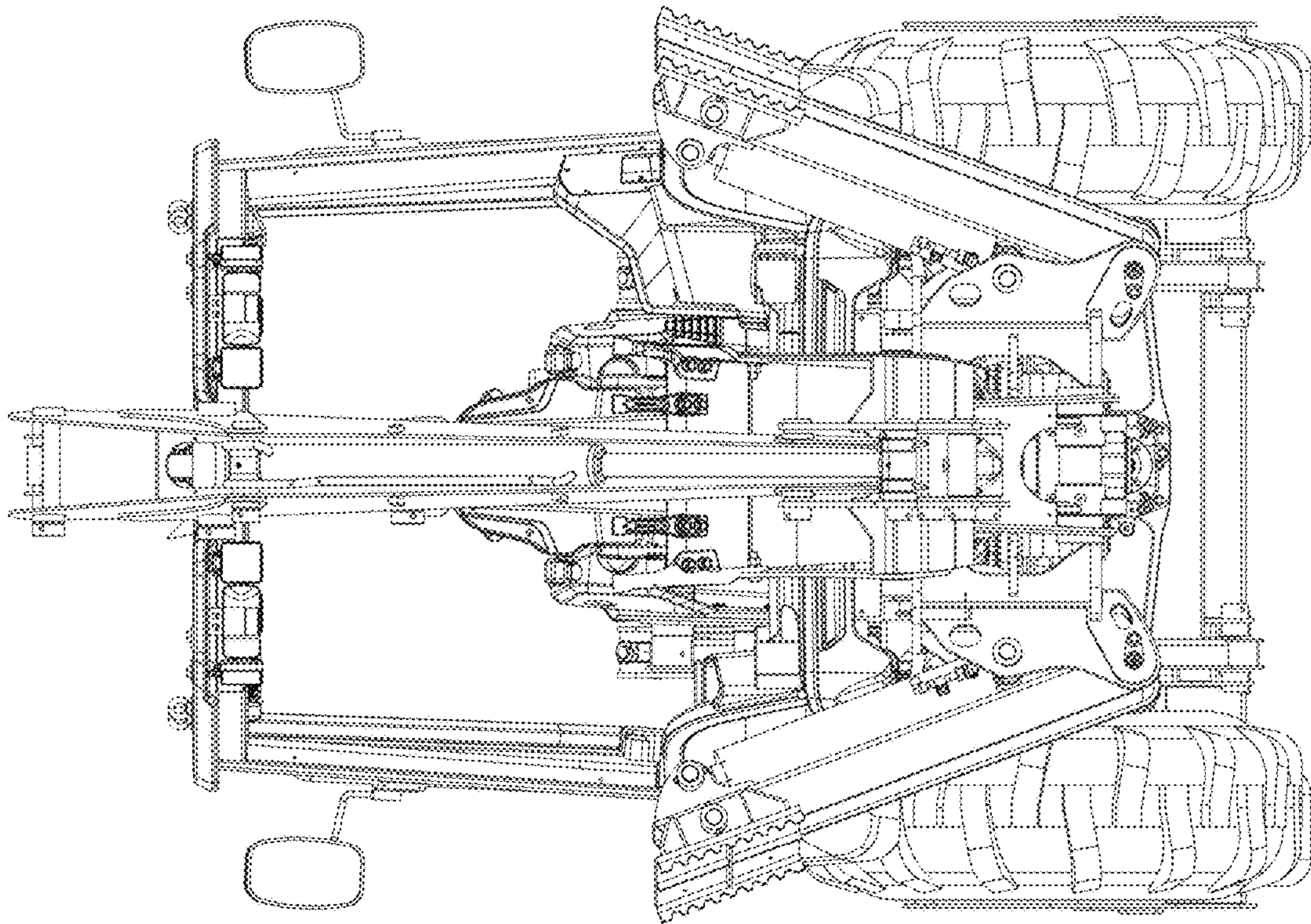


FIG. 8

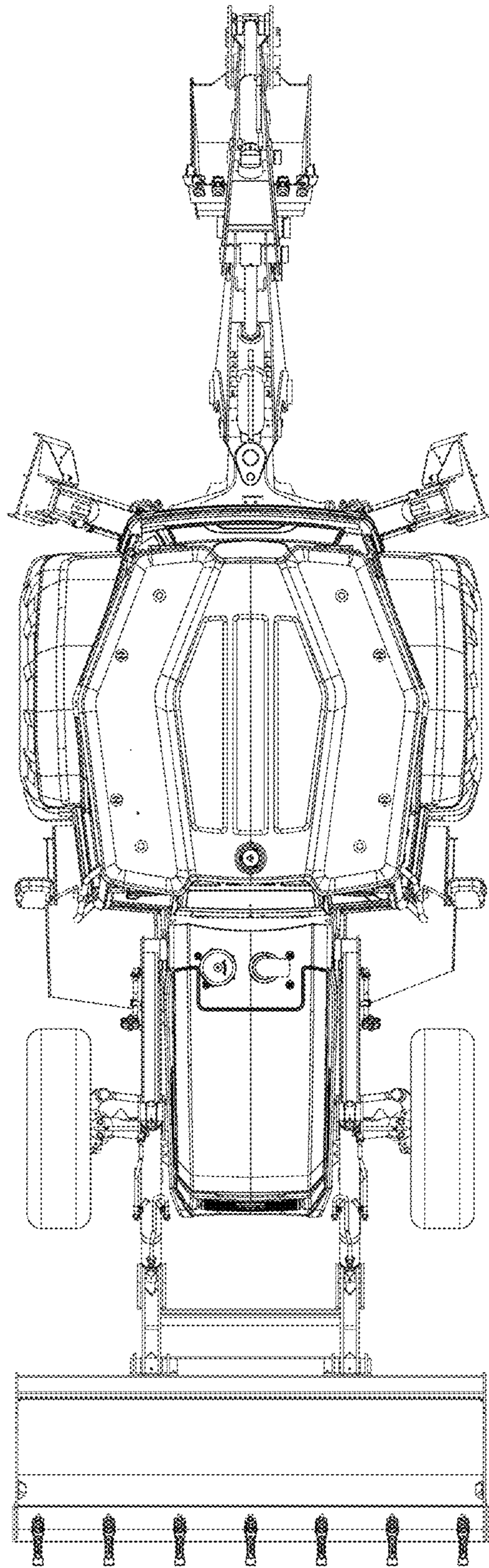


FIG. 9