



US00D972604S

(12) **United States Design Patent**
Xu

(10) **Patent No.:** **US D972,604 S**

(45) **Date of Patent:** **** Dec. 13, 2022**

(54) **PORTABLE TIRE INFLATOR**

(71) Applicant: **Fuzhou Huodan Electronic Technology Co., Ltd., Fuzhou (CN)**

(72) Inventor: **Yixuan Xu, Shenzhen (CN)**

(**) Term: **15 Years**

(21) Appl. No.: **29/820,223**

(22) Filed: **Dec. 21, 2021**

(51) **LOC (13) Cl.** **15-02**

(52) **U.S. Cl.**
USPC **D15/9; D15/7**

(58) **Field of Classification Search**
USPC D15/7-9, 144.1; D14/139, 154, 155,
D14/196, 209.1, 214, 221; D24/108, 110,
D24/168, 170, 231, 232
CPC F04B 53/14; F04B 53/92; F04B 33/00;
F04B 33/005; F04B 1/005; F04B 39/102;
F04D 13/06; F04D 29/22; F04D 29/046;
F04D 29/2266

See application file for complete search history.

(56) **References Cited**

U.S. PATENT DOCUMENTS

D493,770	S	*	8/2004	Krieger	D13/107
D506,724	S	*	6/2005	Hriscu	D13/107
D506,975	S	*	7/2005	Krieger	D13/107
D519,125	S	*	4/2006	Burford	D15/7
D609,634	S	*	2/2010	Daniels	D13/110
D621,853	S	*	8/2010	Sundheim	D15/7
D624,876	S	*	10/2010	Daniels	D13/110
D649,931	S	*	12/2011	James	D13/107
D678,339	S	*	3/2013	Hughes	D15/7
D706,710	S	*	6/2014	Inskeep	D13/107
D813,161	S	*	3/2018	Ortakales	D13/110
D874,397	S	*	2/2020	Sun	D13/107
D874,398	S	*	2/2020	Sun	D13/107
D890,815	S	*	7/2020	Hughes	D15/7

D938,355	S	*	12/2021	Xiong	D13/110
11,193,508	B2	*	12/2021	Hughes	F15B 11/028
D944,732	S	*	3/2022	Sun	D13/110
D949,098	S	*	4/2022	Wang	D13/116
D953,256	S	*	5/2022	Lou	D13/107

OTHER PUBLICATIONS

VacLife, AC/DC 2-in-1 Tire Inflator—Portable Air Compressor, Air Pump for Car Tires, (first available May 8, 2022), Amazon.com, URL:<<https://www.amazon.com/dp/B09NKPGLX1>> (Year: 2022).*
AVID Power Store, Tire Inflator Portable Air Compressor, 12V DC / 110V AC Car Tire Pump, (first available May 8, 2019), Amazon.com, URL:<<https://www.amazon.com/dp/B07RM5D9C3>> (Year: 2019).*

(Continued)

Primary Examiner — Calvin E Vansant
Assistant Examiner — Mark T. Philipps

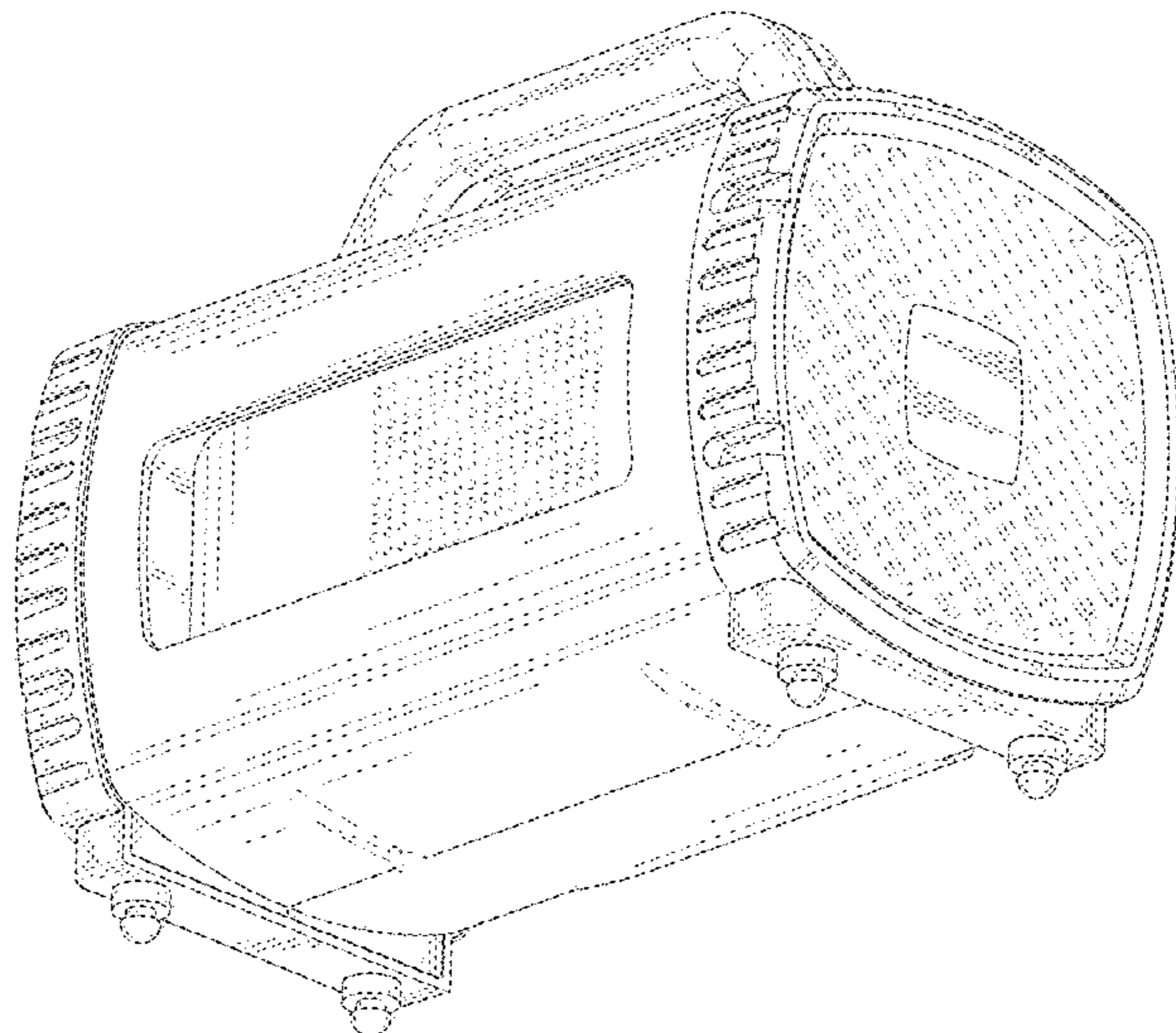
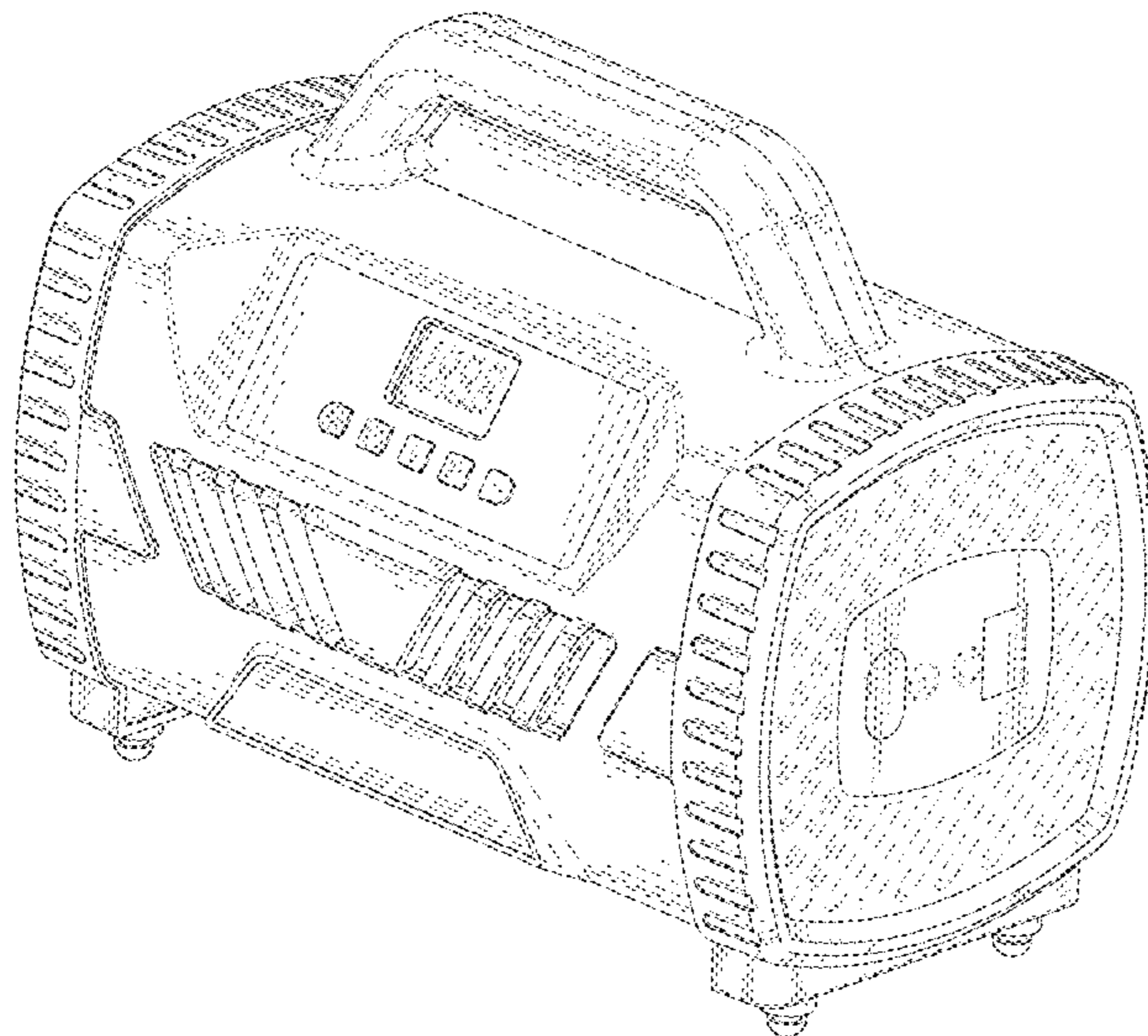
(57) **CLAIM**

The ornamental design for a portable tire inflator, as shown and described.

DESCRIPTION

FIG. 1 is a front and top perspective view of a portable tire inflator, showing my new design;
FIG. 2 is a rear and bottom perspective view thereof;
FIG. 3 is a front elevation view thereof;
FIG. 4 is a rear elevation view thereof;
FIG. 5 is a left side elevation view thereof;
FIG. 6 is a right side elevation view thereof;
FIG. 7 is a top plan view thereof; and,
FIG. 8 is a bottom plan view thereof.
The broken lines in the figures illustrate portions of the portable tire inflator that form no part of the claimed design.

1 Claim, 8 Drawing Sheets



(56)

References Cited

OTHER PUBLICATIONS

Dewalt, 20V Max* Bluetooth Speaker for Jobsite, Tool Only (DCR010), (first available Oct. 24, 2018), Amazon.com, URL:<<https://www.amazon.com/DEWALT-DCR010-Bluetooth-Jobsite-Speaker/dp/B07JNKJ23Z>> (Year: 2018).*

AstroAI, Tire Inflator Air Compressor Portable Cordless Car Tire Pump 160 PSI, (first available Jan. 1, 2022), Amazon.com, URL:<<https://www.amazon.com/dp/B094XNQNW>> (Year: 2022).*

* cited by examiner

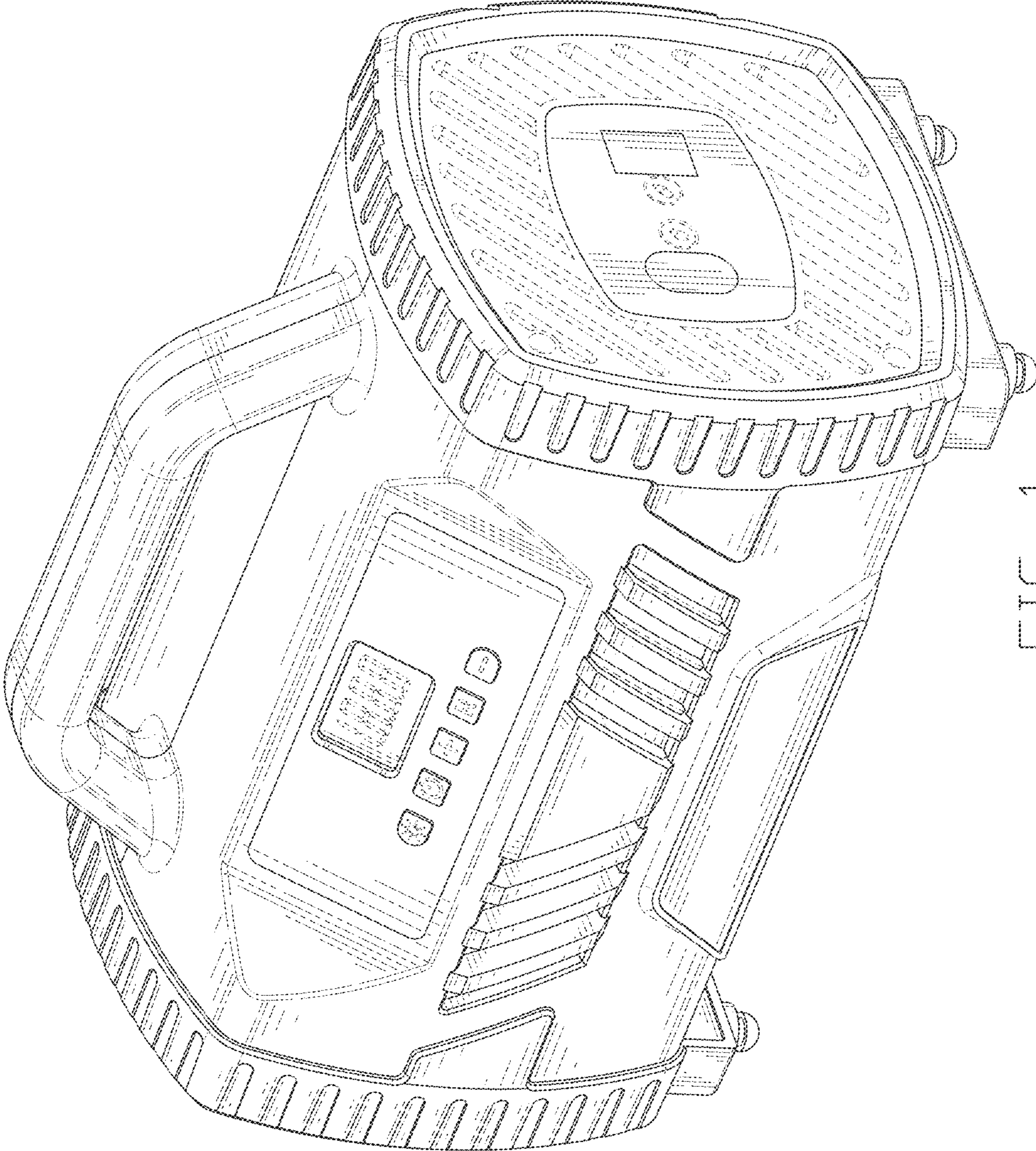


FIG. 1

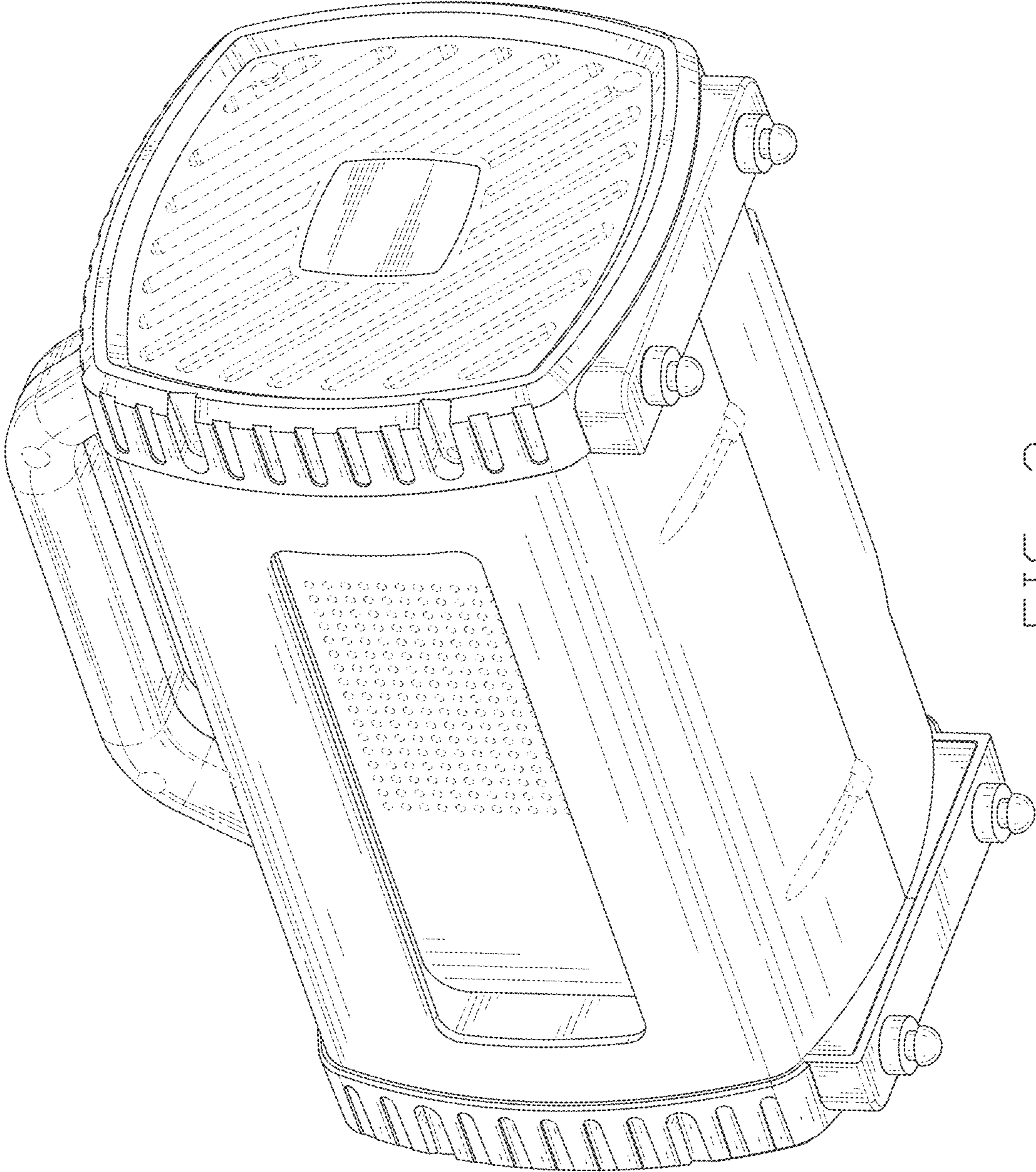


FIG. 2

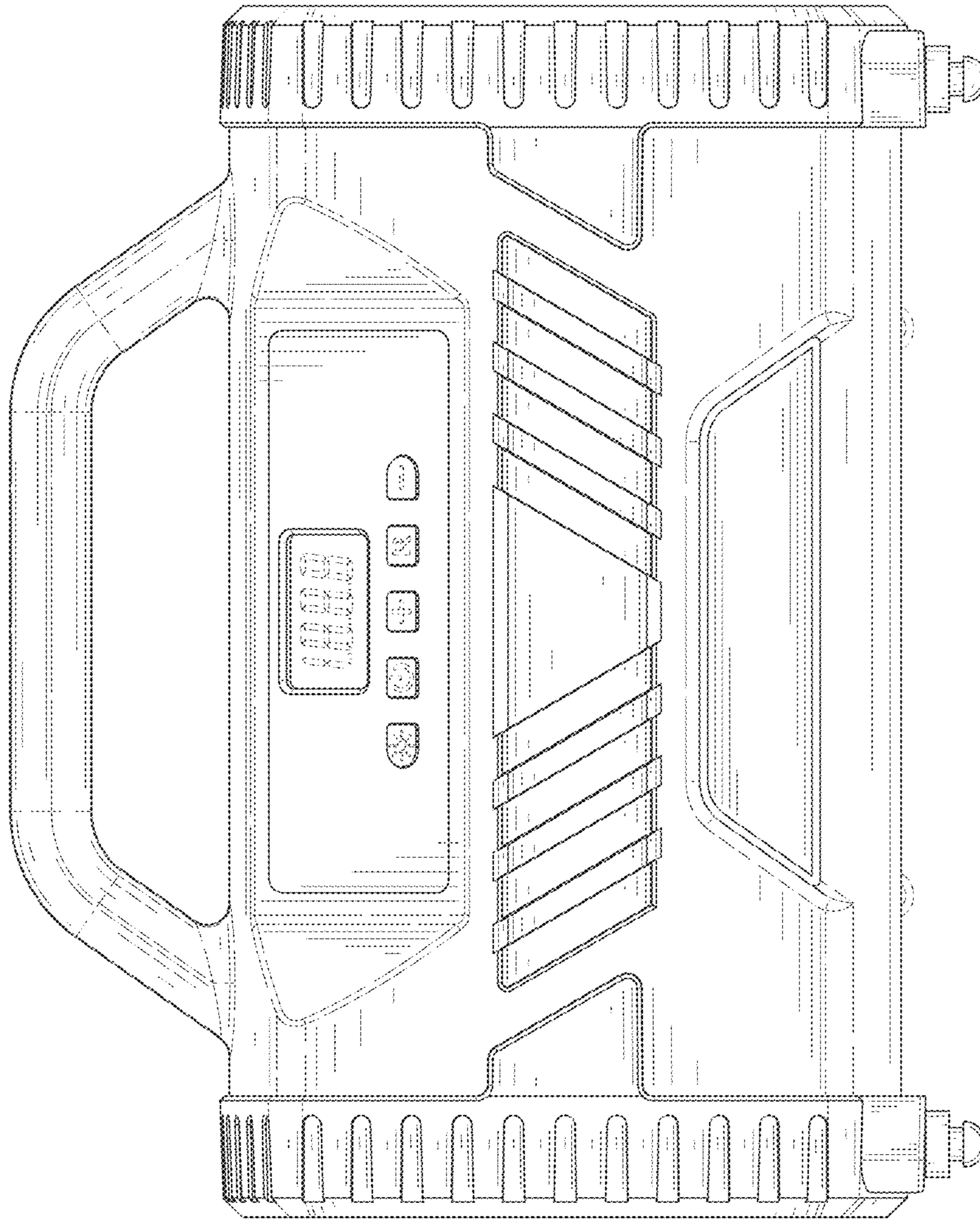


FIG. 3

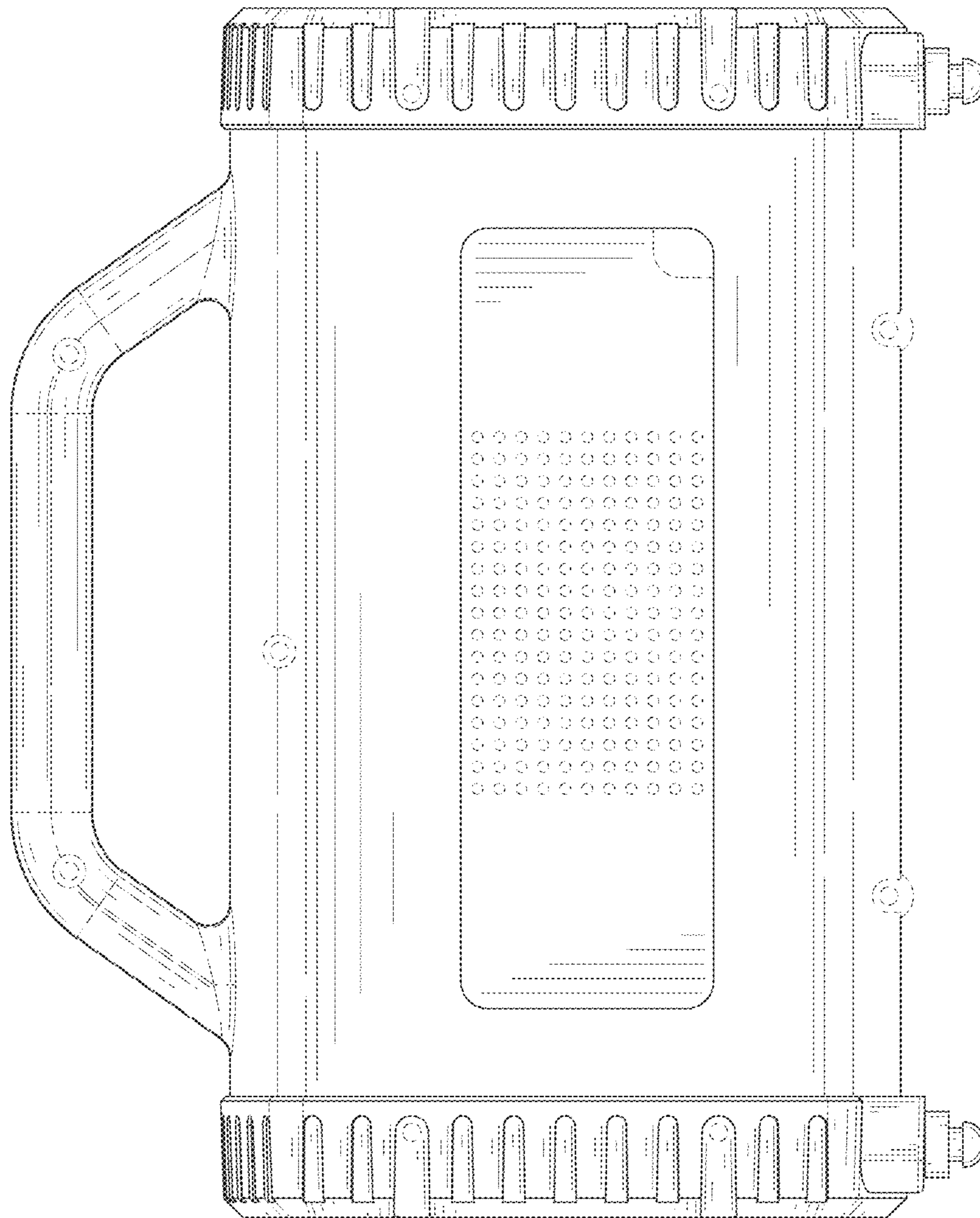


FIG. 4

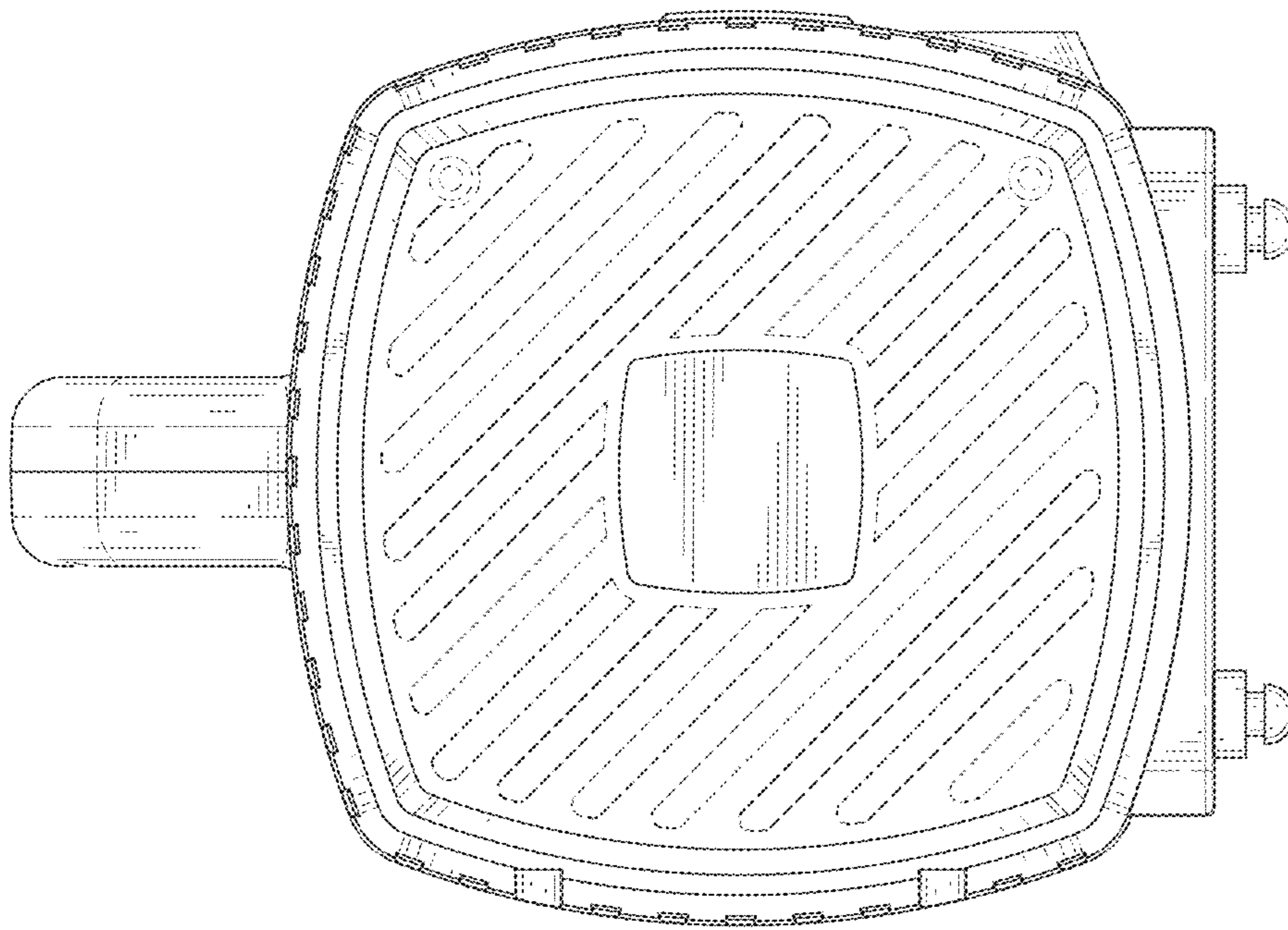


FIG. 5

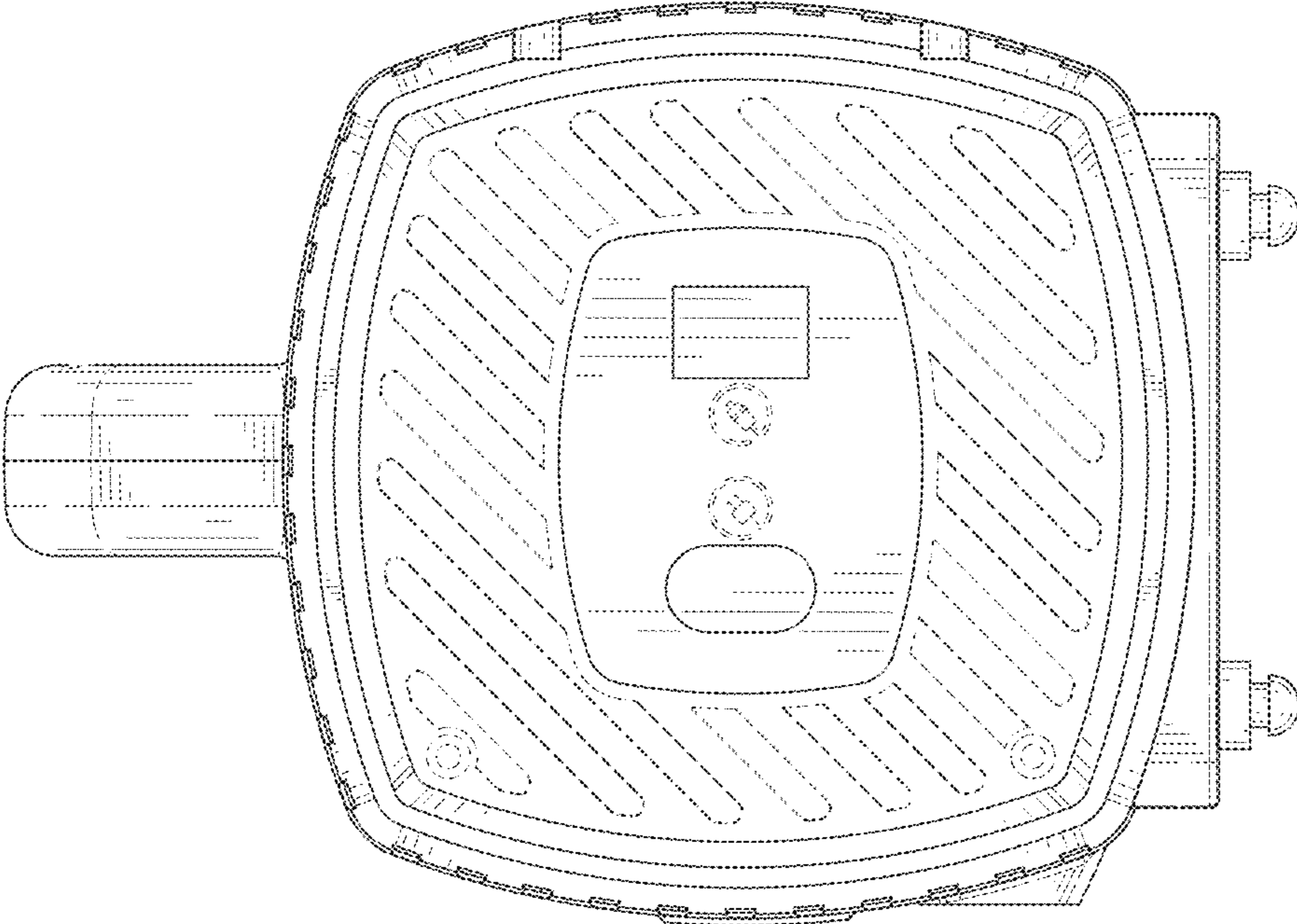


FIG. 6

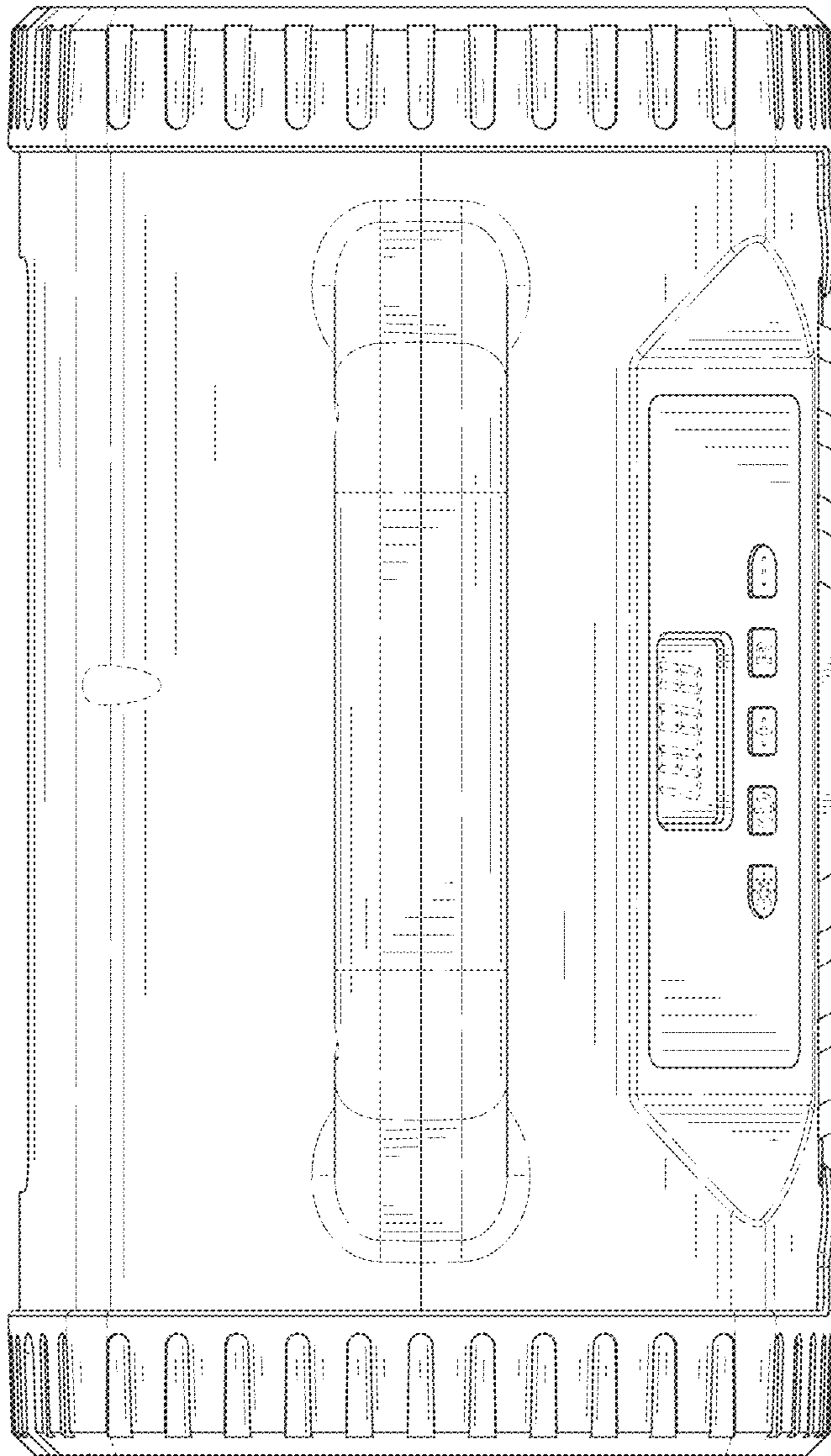


FIG. 7

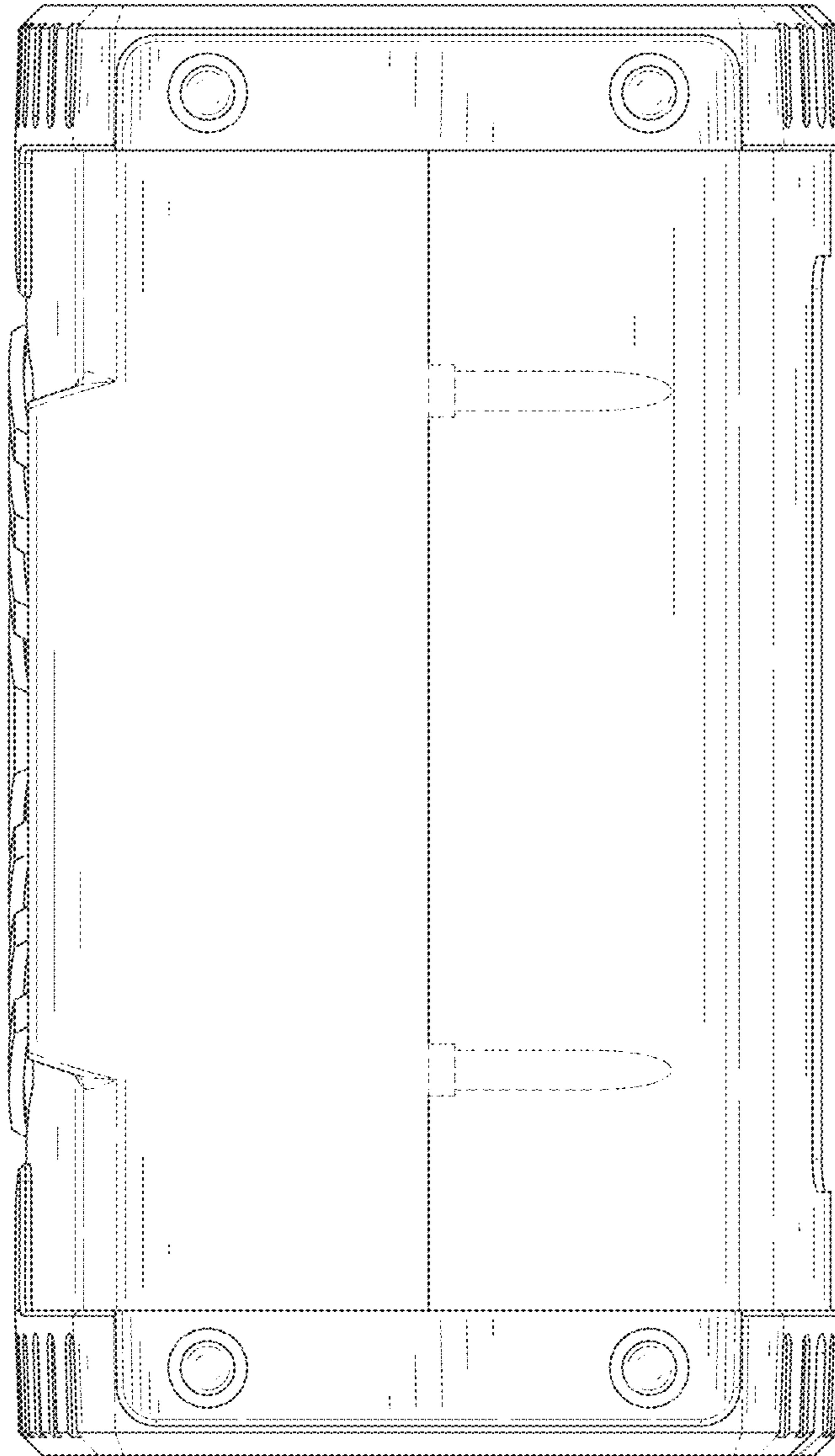


FIG. 8