



US00D972603S

(12) **United States Design Patent**  
**Heon et al.**

(10) **Patent No.:** **US D972,603 S**

(45) **Date of Patent:** **\*\* Dec. 13, 2022**

(54) **AIR MANAGEMENT SYSTEM**

(71) Applicant: **Wheel Pros, LLC**, Greenwood Village,  
CO (US)

(72) Inventors: **Reno Heon**, San Luis Obispo, CA  
(US); **Dustin Heon**, Arroyo Grande, CA  
(US)

(\*\*) Term: **15 Years**

(21) Appl. No.: **29/815,562**

(22) Filed: **Nov. 15, 2021**

(51) **LOC (13) Cl.** ..... **15-01**

(52) **U.S. Cl.**  
USPC ..... **D15/5**

(58) **Field of Classification Search**  
USPC ..... D15/1, 2, 3, 4, 5, 6; D23/235  
CPC ..... F15B 13/0814; B60G 17/0523; B60G  
17/0525; B60G 17/0528; B60G 17/056  
See application file for complete search history.

(56) **References Cited**

**U.S. PATENT DOCUMENTS**

D867,398 S \* 11/2019 Sato ..... D23/235  
10,603,750 B1 \* 3/2020 Taylor ..... B23Q 1/0072  
10,746,201 B2 \* 8/2020 Weickel ..... B33Y 80/00  
11,034,205 B2 \* 6/2021 Reuter ..... B60G 17/018

2005/0104442 A1\* 5/2005 Yang ..... F15B 13/0892  
303/113.1  
2012/0097282 A1\* 4/2012 Coombs ..... F15B 13/0814  
137/861  
2020/0017089 A1\* 1/2020 Zander ..... B60T 13/686

**OTHER PUBLICATIONS**

<https://www.motortrend.com/how-to/1501-air-ride-suspension-system-install/Motor-Trend-Air-Ride-Suspension-System-Install-Air-Lowrider>  
Posted on Nov. 28, 2014 (Year: 2014).\*  
Vu4 4-Corner Manifold (NPT) <https://accuair.com/collections/valve-manifolds/products/vu4-4-corner-manifold-npt> (Year: 2022).\*

\* cited by examiner

*Primary Examiner* — Ania Aman  
(74) *Attorney, Agent, or Firm* — Eric Hanscom

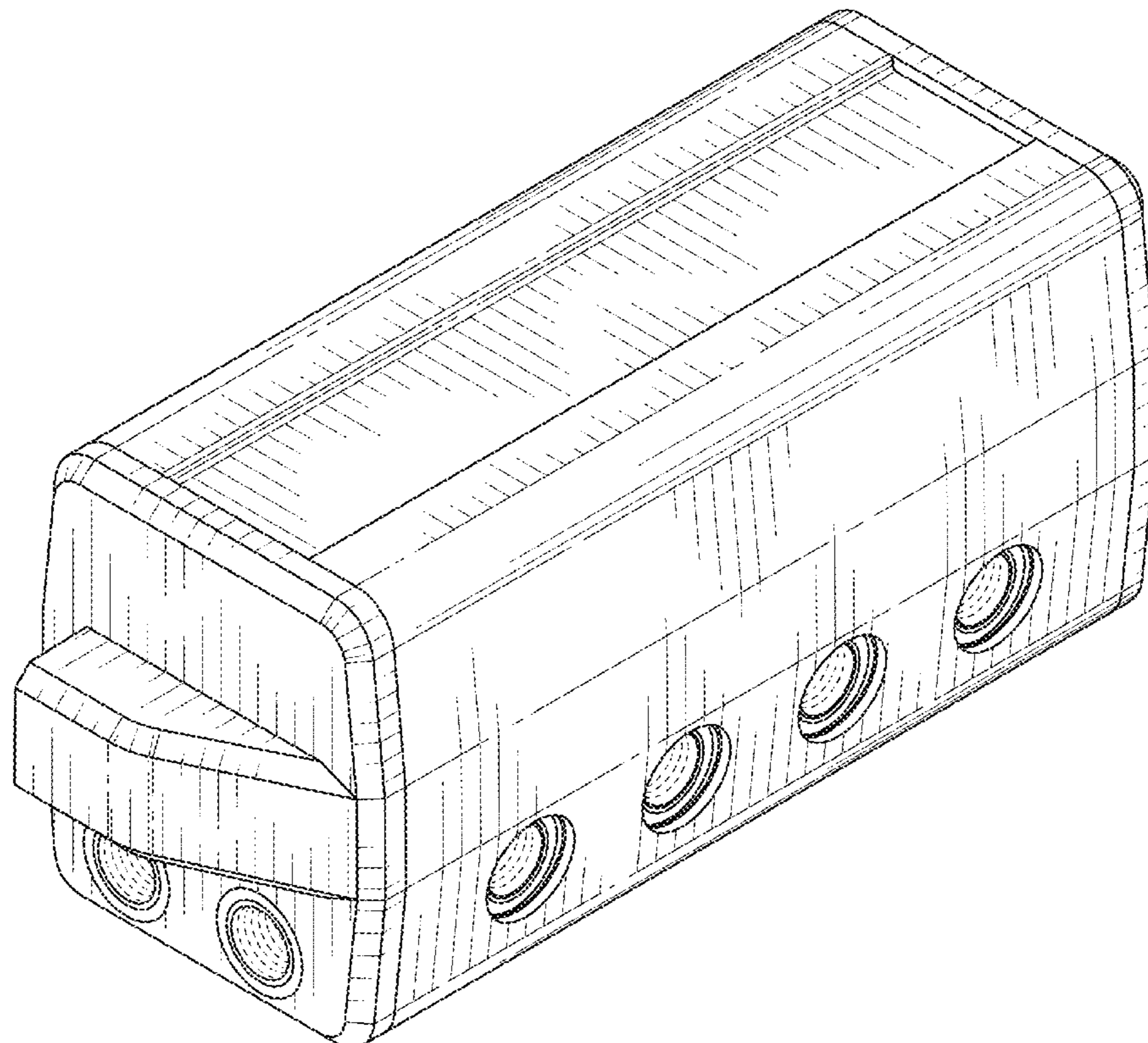
(57) **CLAIM**

The ornamental design for an air management system, as shown and described.

**DESCRIPTION**

FIG. 1 is a perspective view of an air management system showing our new design;  
FIG. 2 is a front view thereof;  
FIG. 3 is a back view thereof;  
FIG. 4 is a left-side view thereof;  
FIG. 5 is a right-side view thereof;  
FIG. 6 is a top view thereof; and,  
FIG. 7 is a bottom view thereof.  
In the drawings, the broken lines depict unclaimed subject matter only and form no part of the claimed design.

**1 Claim, 6 Drawing Sheets**



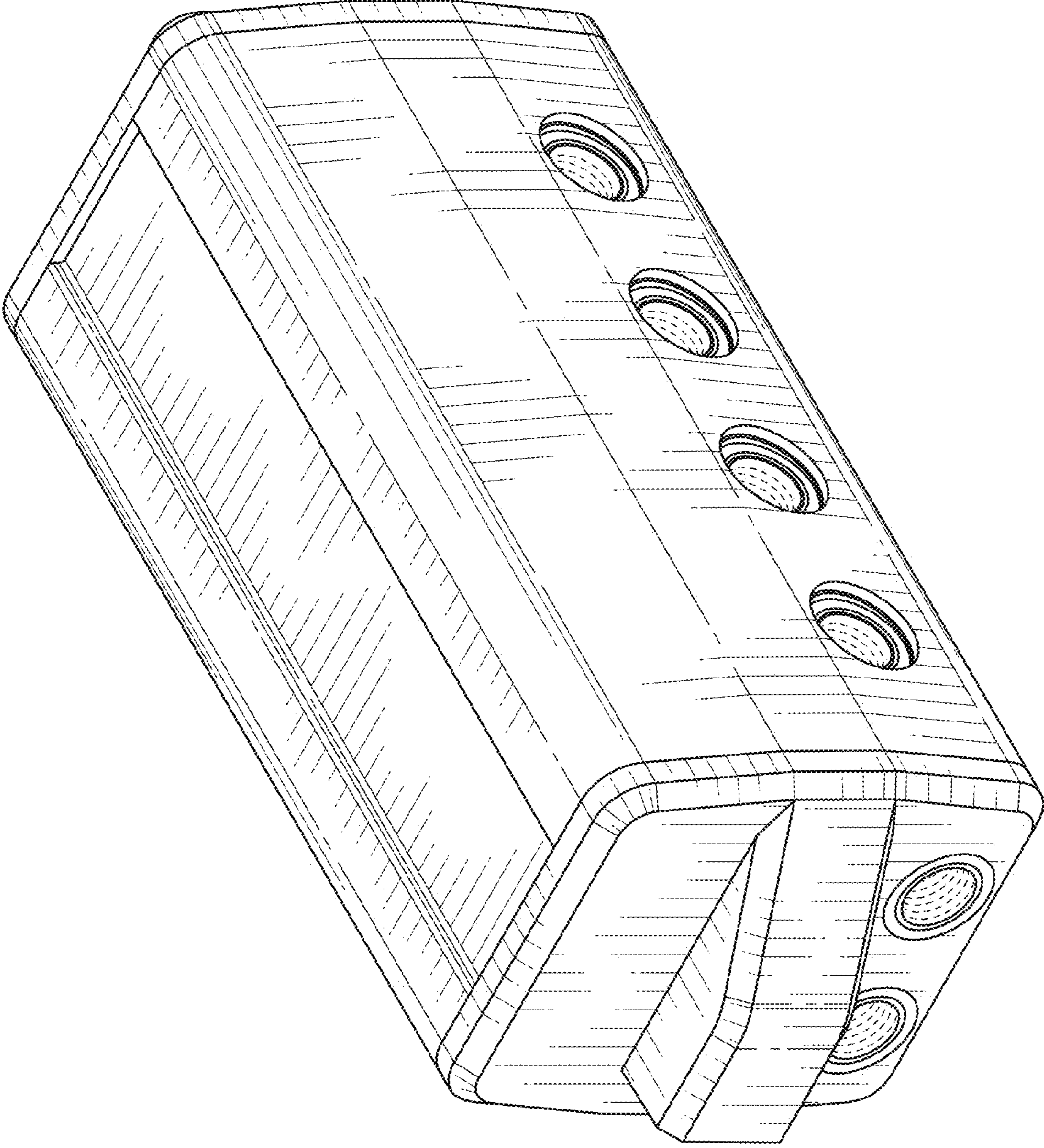


FIG. 1



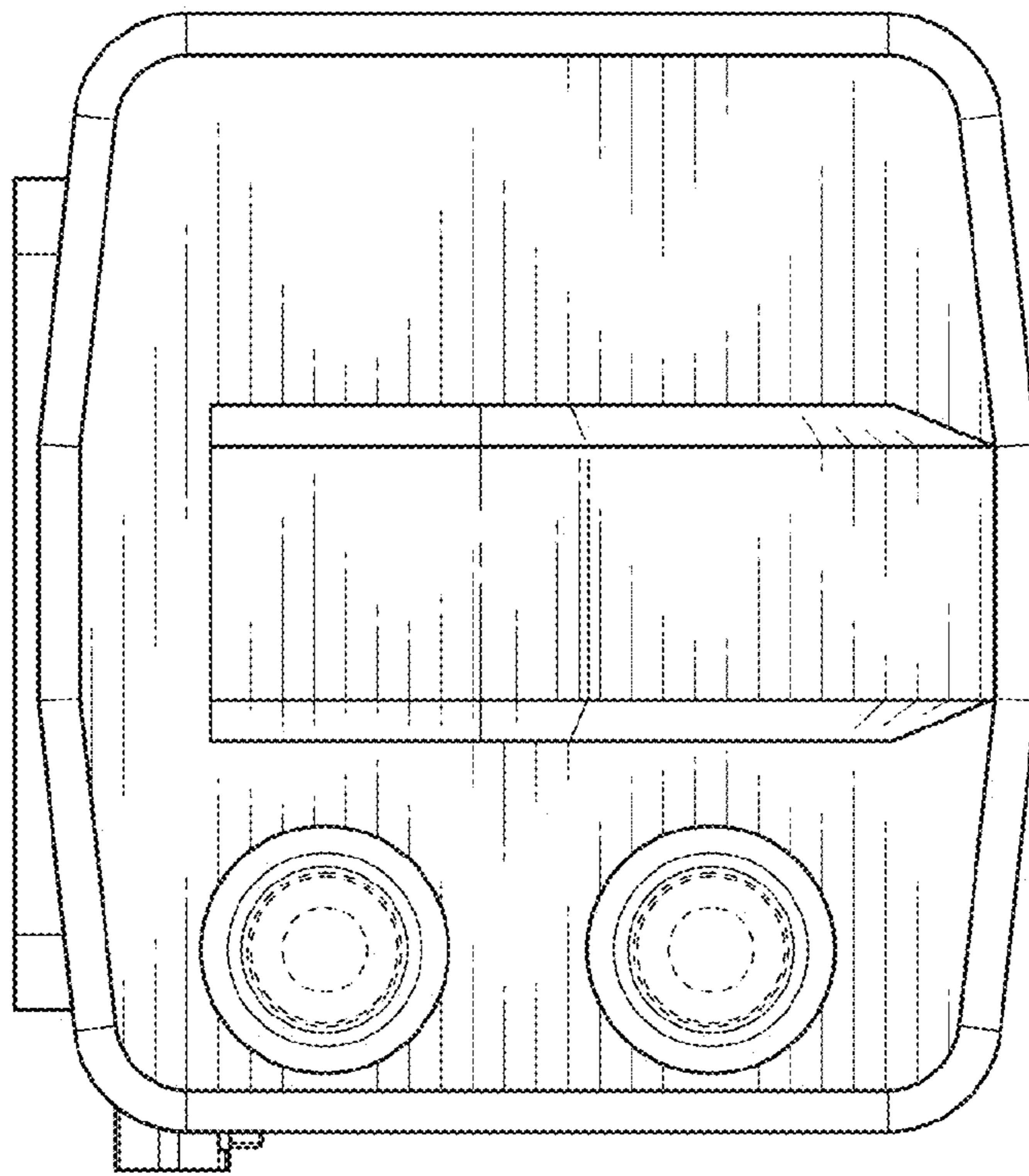


FIG. 2

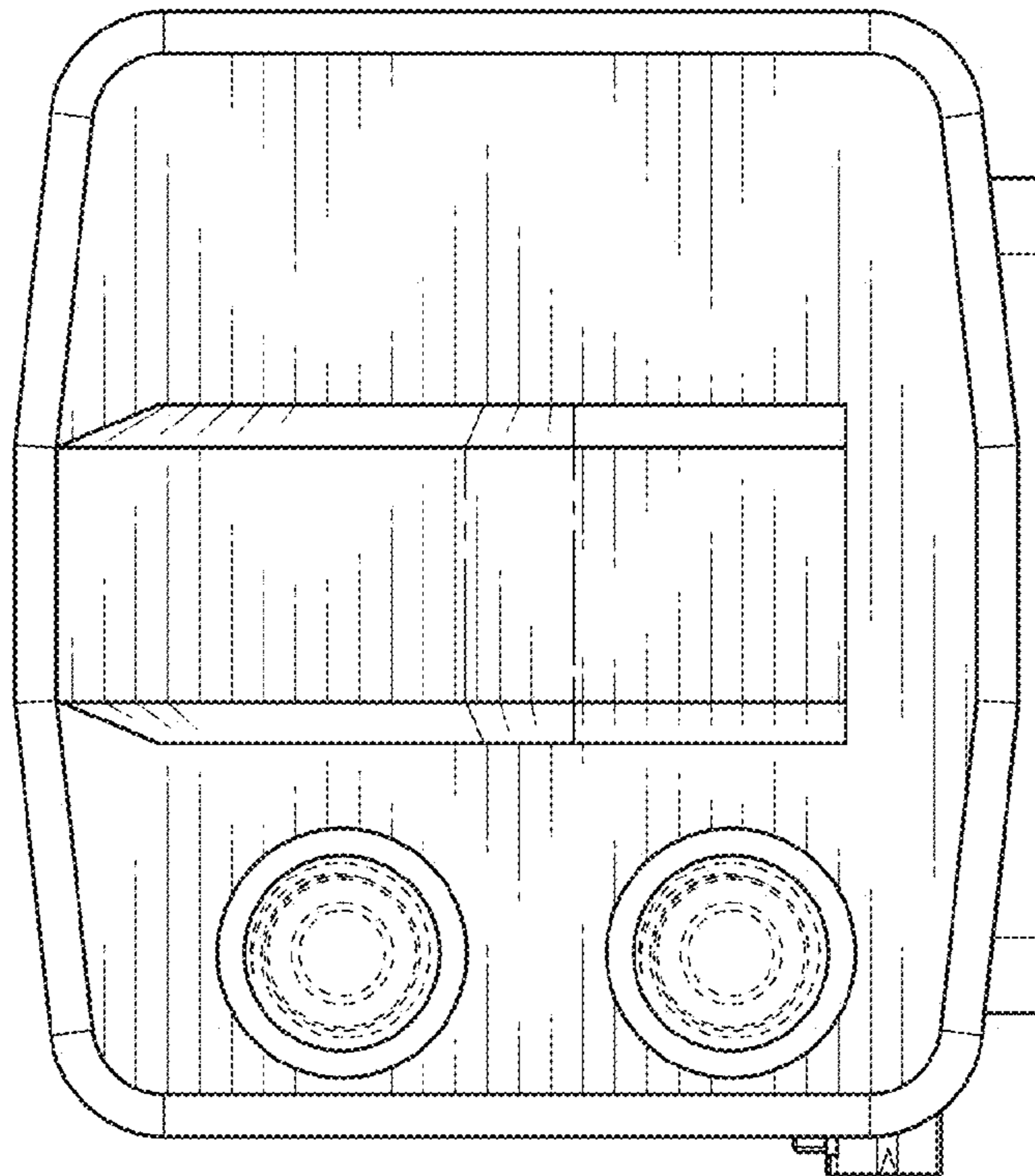


FIG. 3

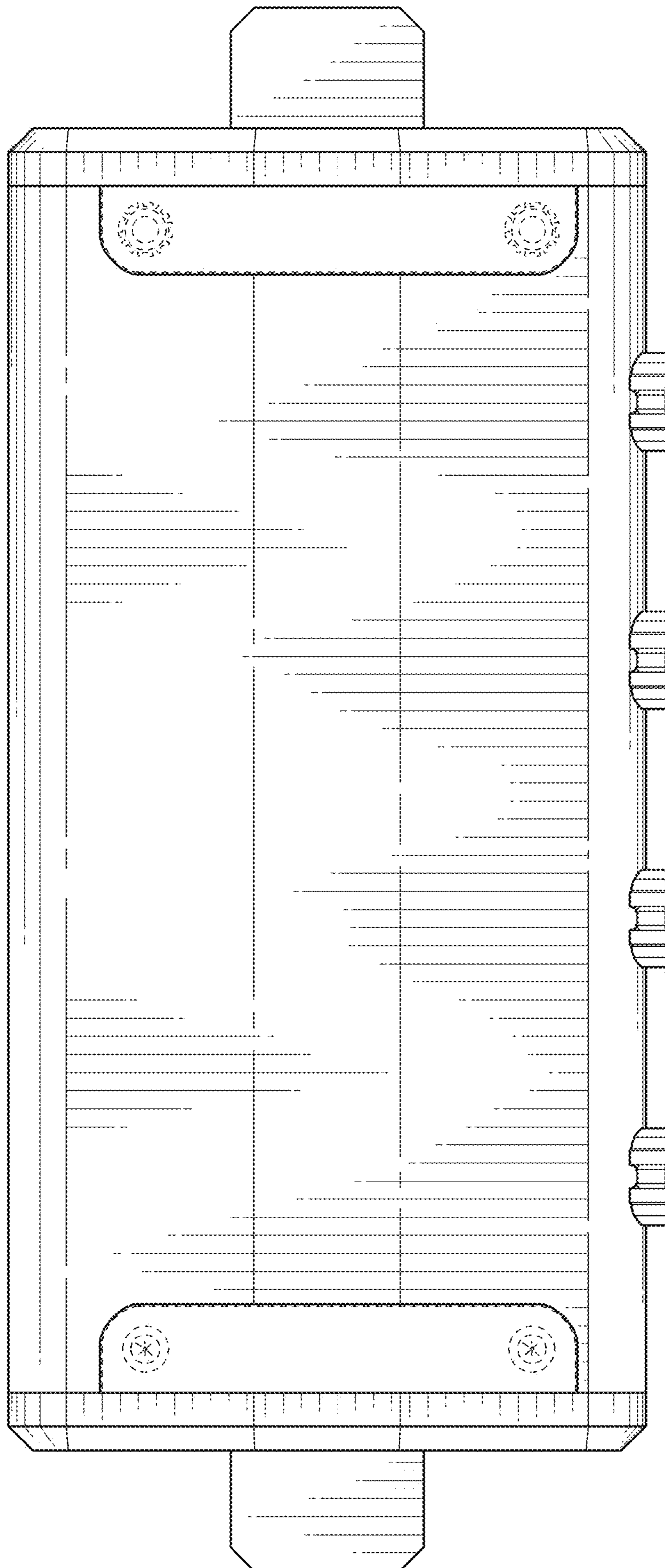


FIG. 4

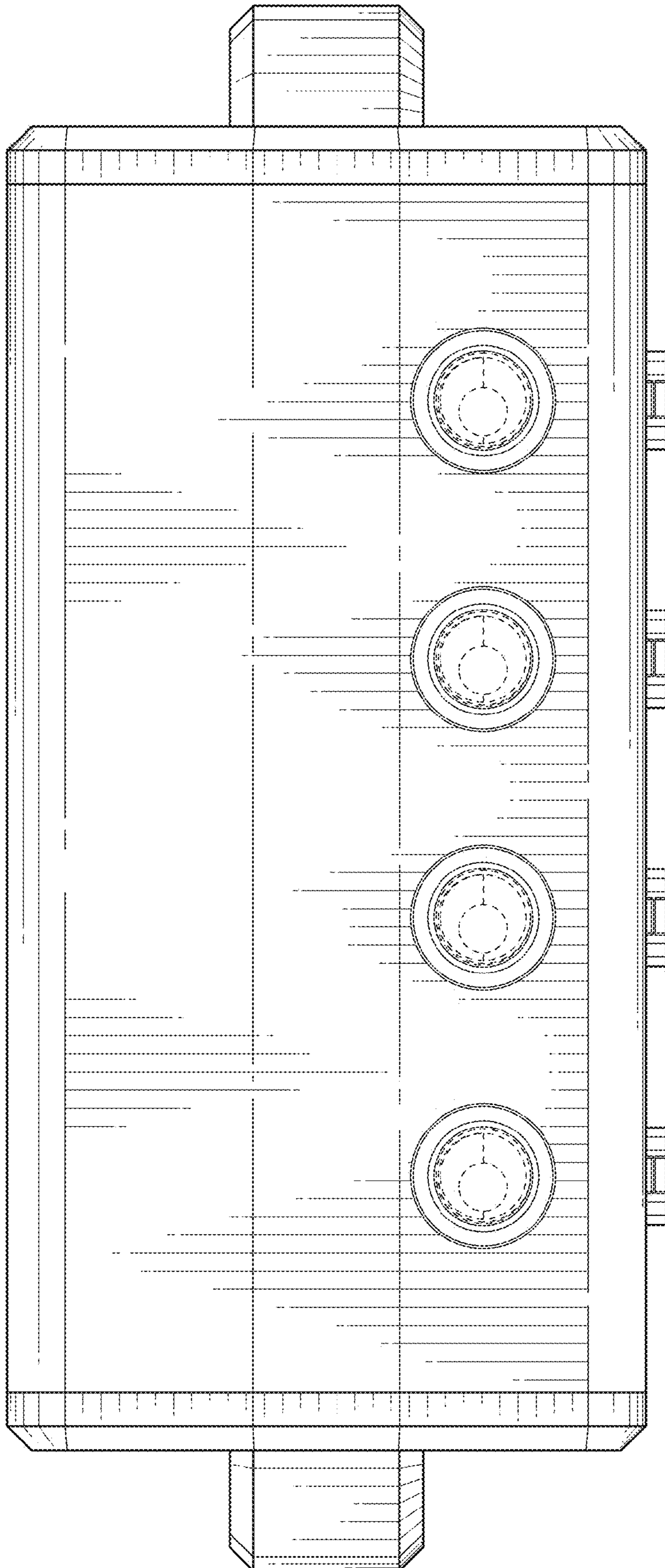


FIG. 5

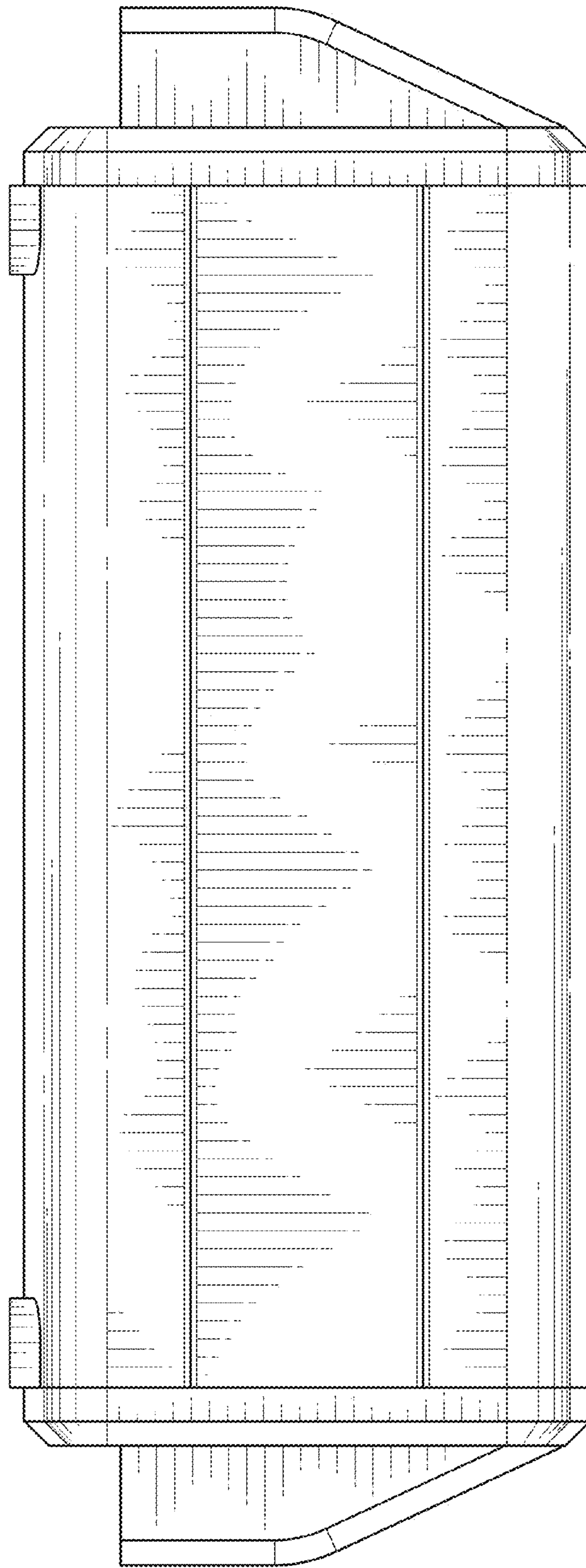


FIG. 6



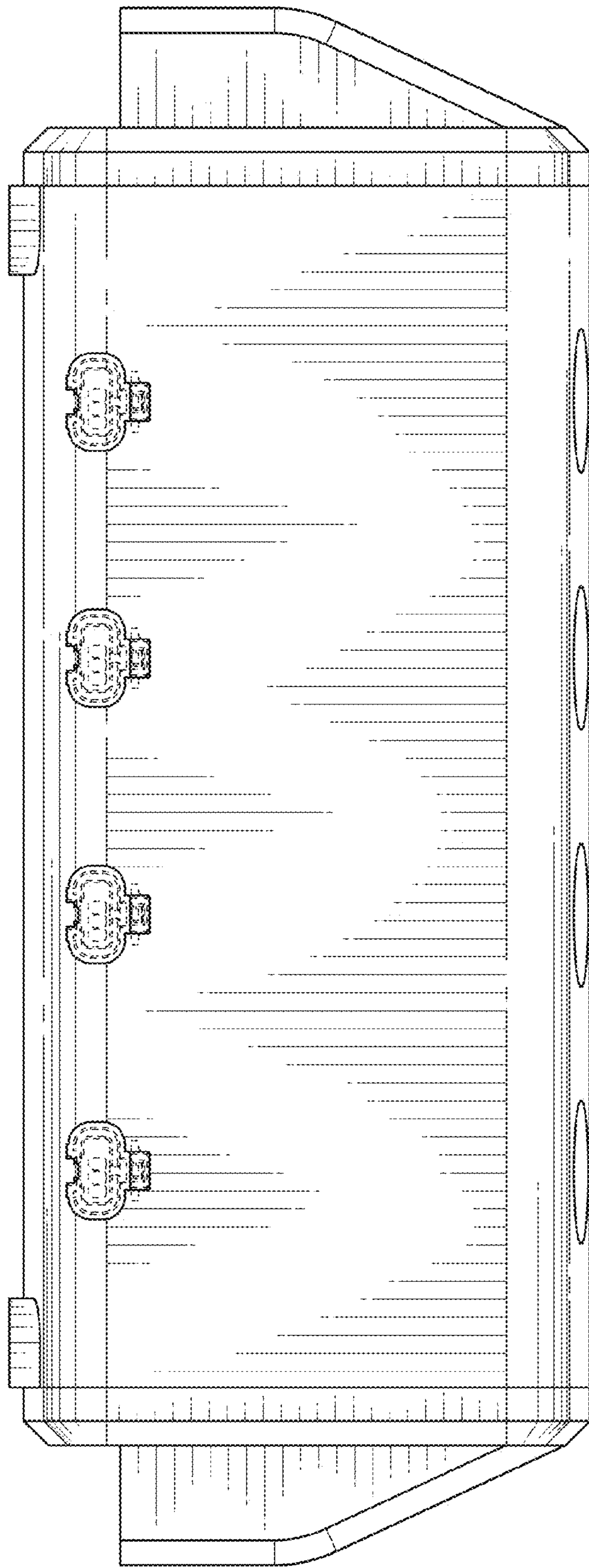


FIG. 7