



US00D972575S

(12) **United States Design Patent** (10) **Patent No.:** **US D972,575 S**
Turksu et al. (45) **Date of Patent:** **** Dec. 13, 2022**

(54) **STAND FOR A MOBILE COMPUTING DEVICE**
(71) Applicant: **SARIANA, LLC**, San Diego, CA (US)
(72) Inventors: **Alan Turksu**, San Diego, CA (US);
Mustafa Burak Guclu, San Diego, CA (US)

(73) Assignee: **SARIANA LLC**, San Diego, CA (US)

(**) Term: **15 Years**

(21) Appl. No.: **29/696,733**

(22) Filed: **Jul. 1, 2019**

(51) **LOC (13) Cl.** **14-03**

(52) **U.S. Cl.**
USPC **D14/447**

(58) **Field of Classification Search**
USPC D14/447, 432, 434, 439, 440, 451, 452,
D14/457, 239, 253; D8/363, 373, 380;
D6/406.3, 406.4, 406.5, 406.6; D12/415
CPC A47B 21/04; A47B 2097/006; A47B
2097/005; A47B 2023/049; A45C
2011/002; A45C 2011/003; F16M
2200/00; F16M 13/00

See application file for complete search history.

(56) **References Cited**

U.S. PATENT DOCUMENTS

D639,816 S *	6/2011	Bau	D14/447
D665,812 S *	8/2012	Huang	D14/447
D667,012 S *	9/2012	Chen	D14/447
D677,261 S *	3/2013	Hsu	D14/447
D678,886 S *	3/2013	Heckler	D14/447
D699,297 S *	2/2014	Bahsoun	D19/59
D705,785 S *	5/2014	Wang	D14/447
D716,817 S *	11/2014	Yang	D14/447
D718,771 S *	12/2014	Huang	D14/447
D721,710 S *	1/2015	Messing	D14/447

D726,733 S *	4/2015	Specht	D14/447
D752,595 S *	3/2016	Heckler	D14/447
D771,052 S *	11/2016	Zheng	D14/434
D778,916 S *	2/2017	Li	D14/447
D786,883 S *	5/2017	Chen	D14/447
D804,490 S *	12/2017	Wei	D14/447
D805,080 S *	12/2017	Lakraa	D14/440
D824,914 S *	8/2018	Okuley	D14/447
D824,915 S *	8/2018	Hsu	D14/447

(Continued)

Primary Examiner — Angela J Lee

(74) *Attorney, Agent, or Firm* — Wagenknecht IP Law Group PC

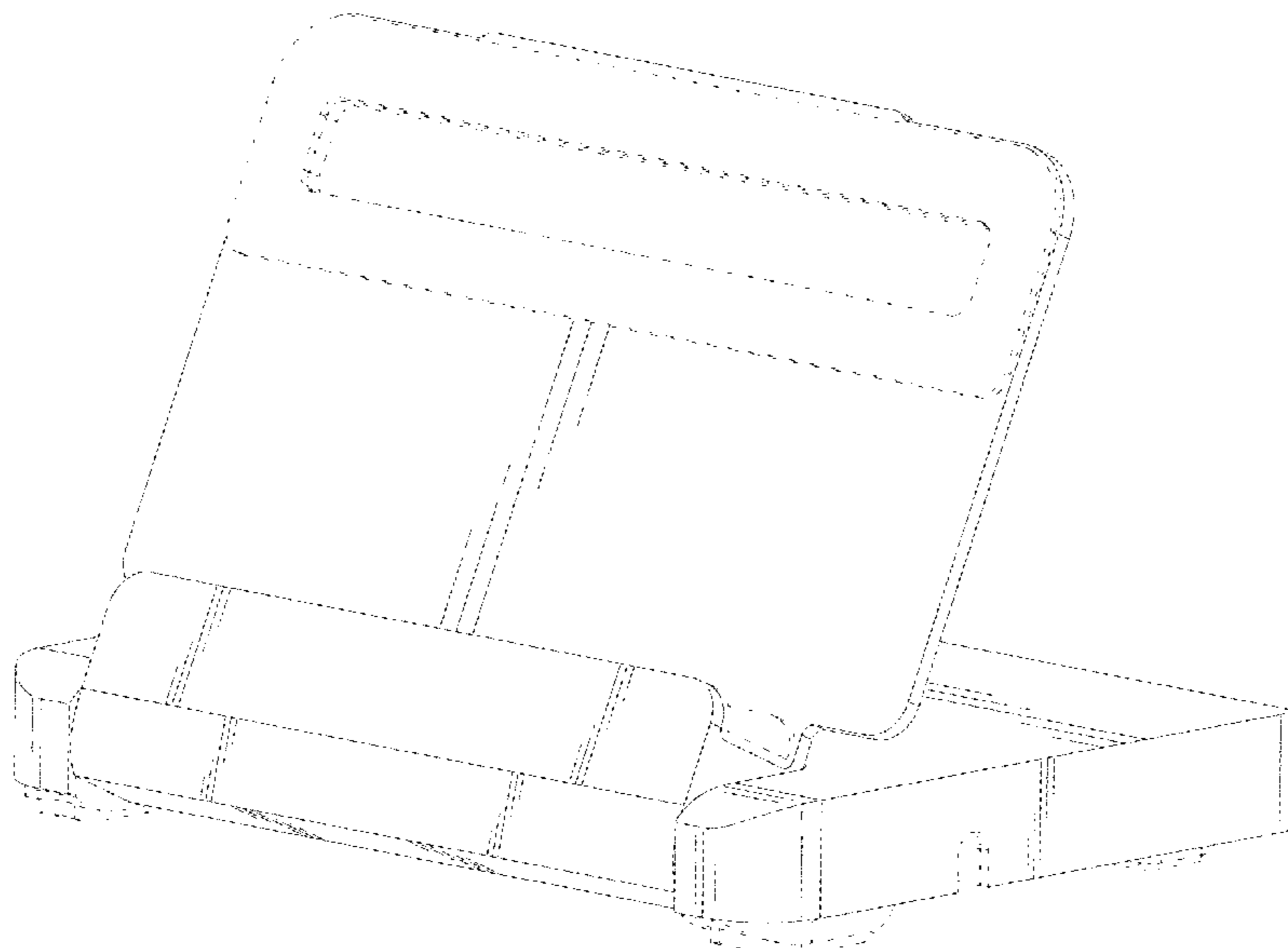
(57) **CLAIM**

The ornamental design for a stand for a mobile computing device, as shown and described.

DESCRIPTION

FIG. 1 is a top, front and left side perspective view of the stand for a mobile computing device, showing our new design in an open position;
 FIG. 2 is a top, rear and right perspective view thereof;
 FIG. 3 is a front elevational view thereof;
 FIG. 4 is a rear elevational view thereof;
 FIG. 5 is a top plan view thereof;
 FIG. 6 is a bottom plan view thereof;
 FIG. 7 is a right side elevational view thereof;
 FIG. 8 is a left side elevational view thereof;
 FIG. 9 is a top, front and left side perspective view thereof; the view showing the stand for the mobile computing device in a closed position;
 FIG. 10 is a top, rear and right side perspective view thereof;
 FIG. 11 is a top plan view thereof; and,
 FIG. 12 is a bottom plan view thereof.
 The broken lines showing portions of the design in the figures are included for the purpose of illustrating environment and unclaimed features and forms not part of the claimed design.

1 Claim, 12 Drawing Sheets



(56)

References Cited

U.S. PATENT DOCUMENTS

D833,447 S	*	11/2018	Zhang	D14/447
D845,307 S	*	4/2019	Hallar	D14/447
D868,072 S	*	11/2019	Lei	D14/440
D868,073 S	*	11/2019	Smith	D14/447
D886,829 S	*	6/2020	Cheng	D14/447

* cited by examiner

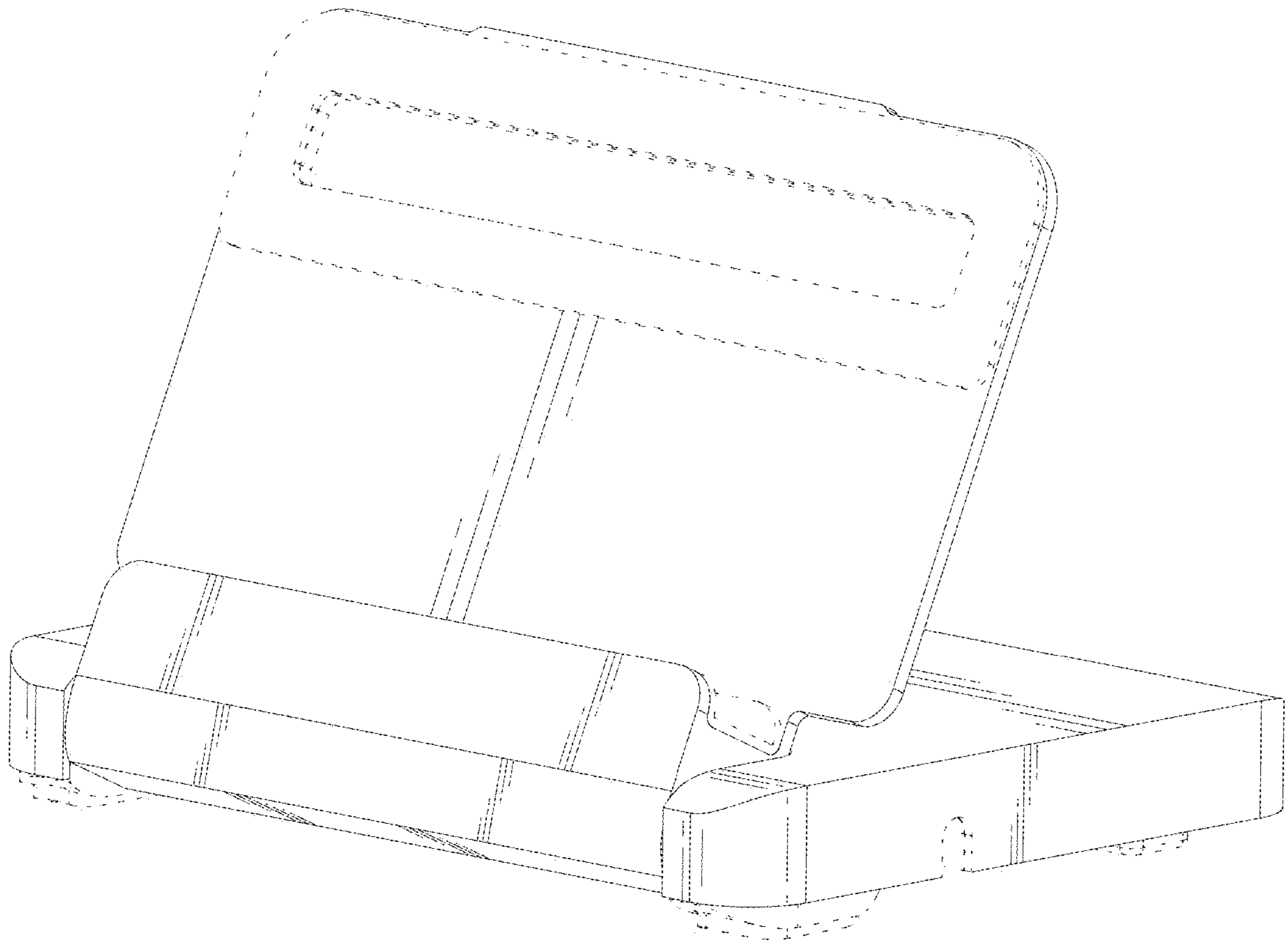


FIG. 1

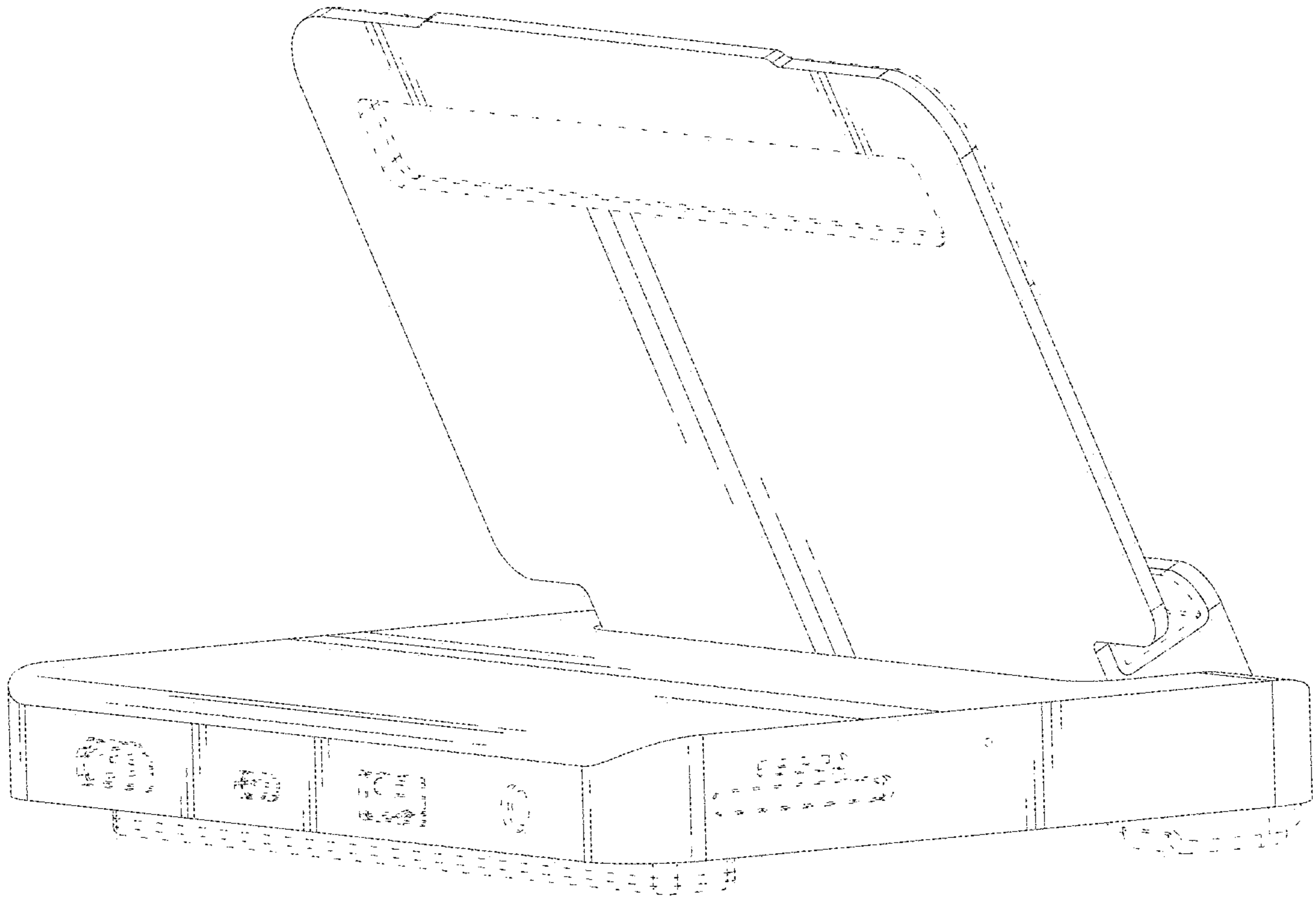


FIG. 2

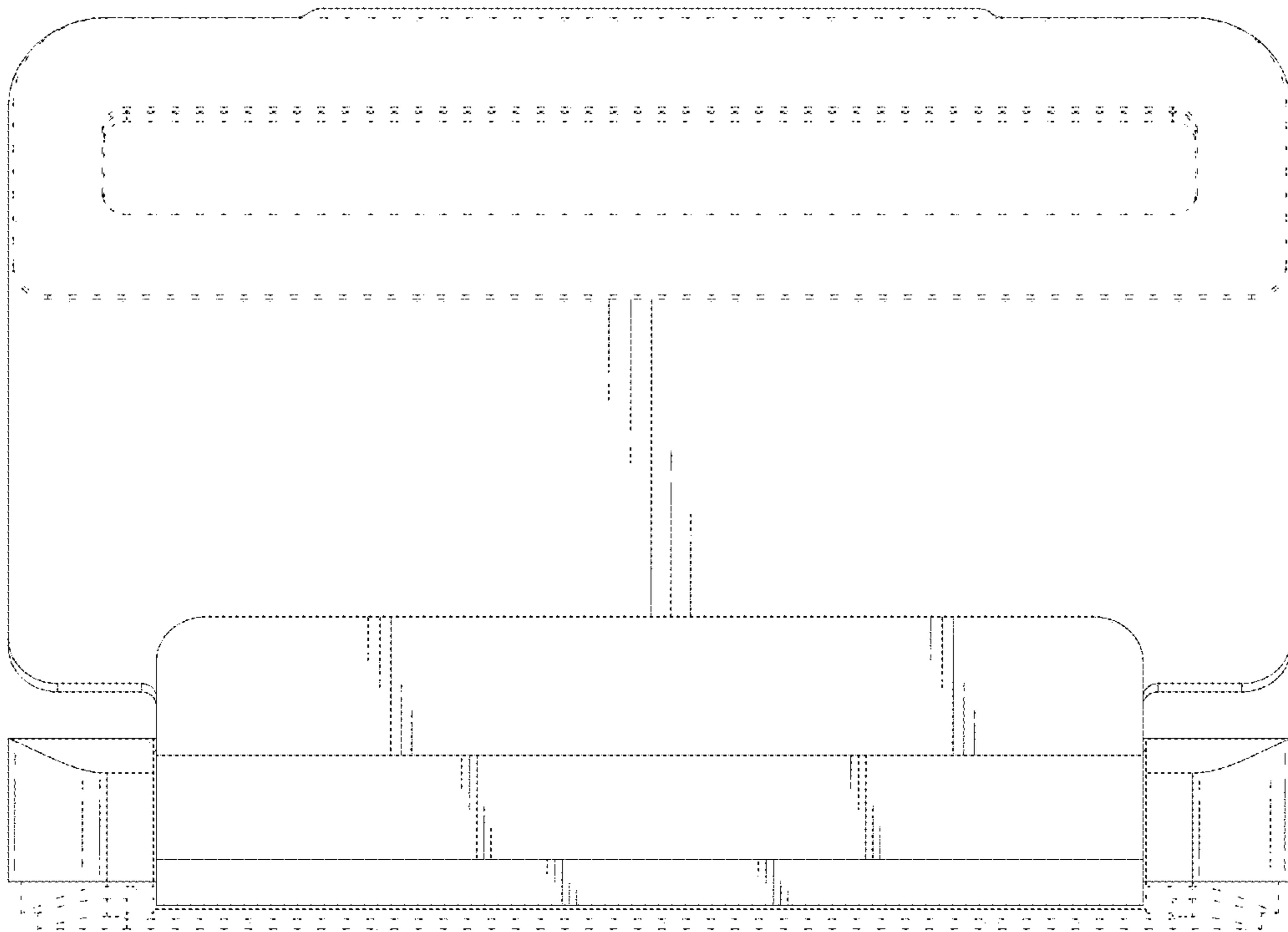


FIG. 3

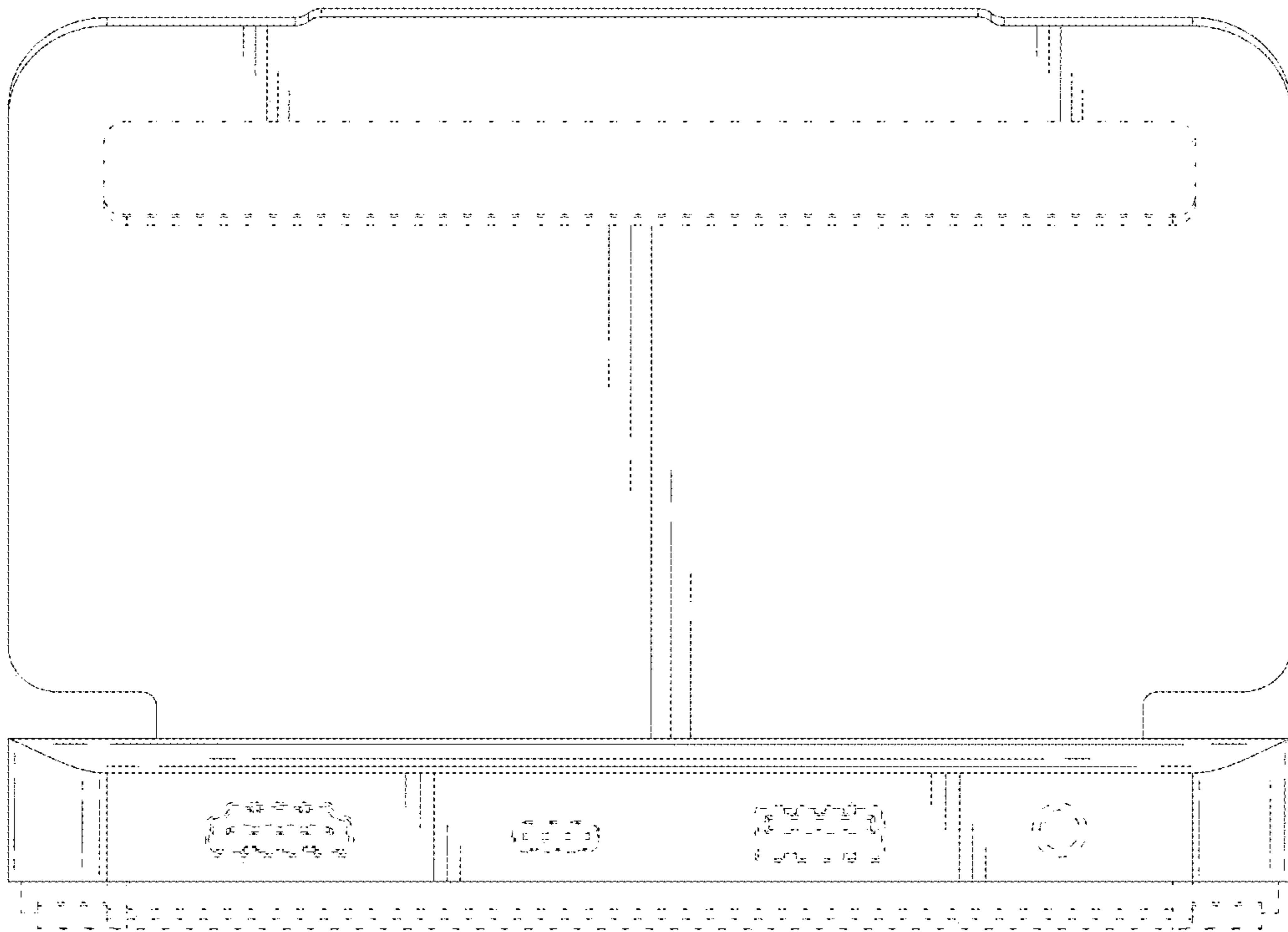


FIG. 4

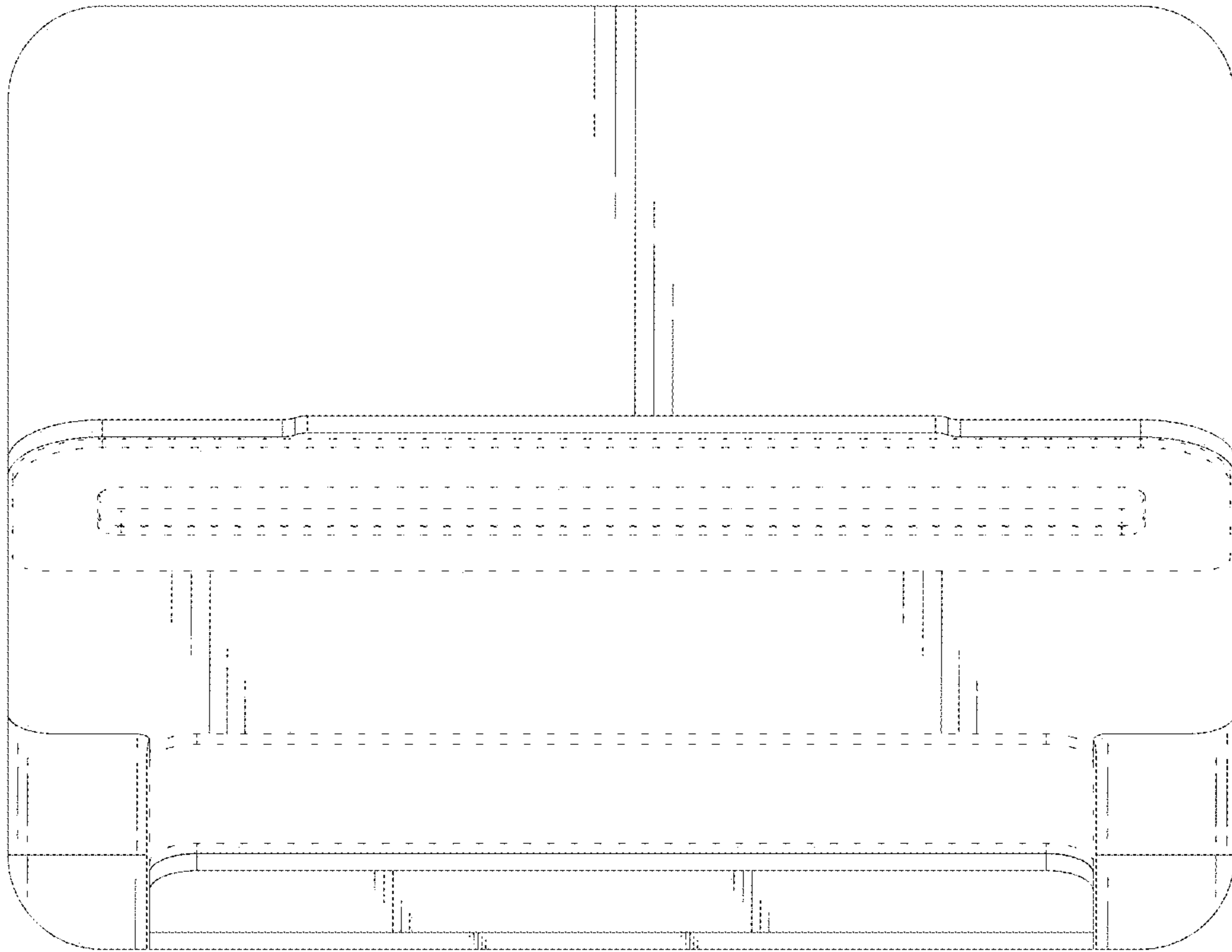


FIG. 5

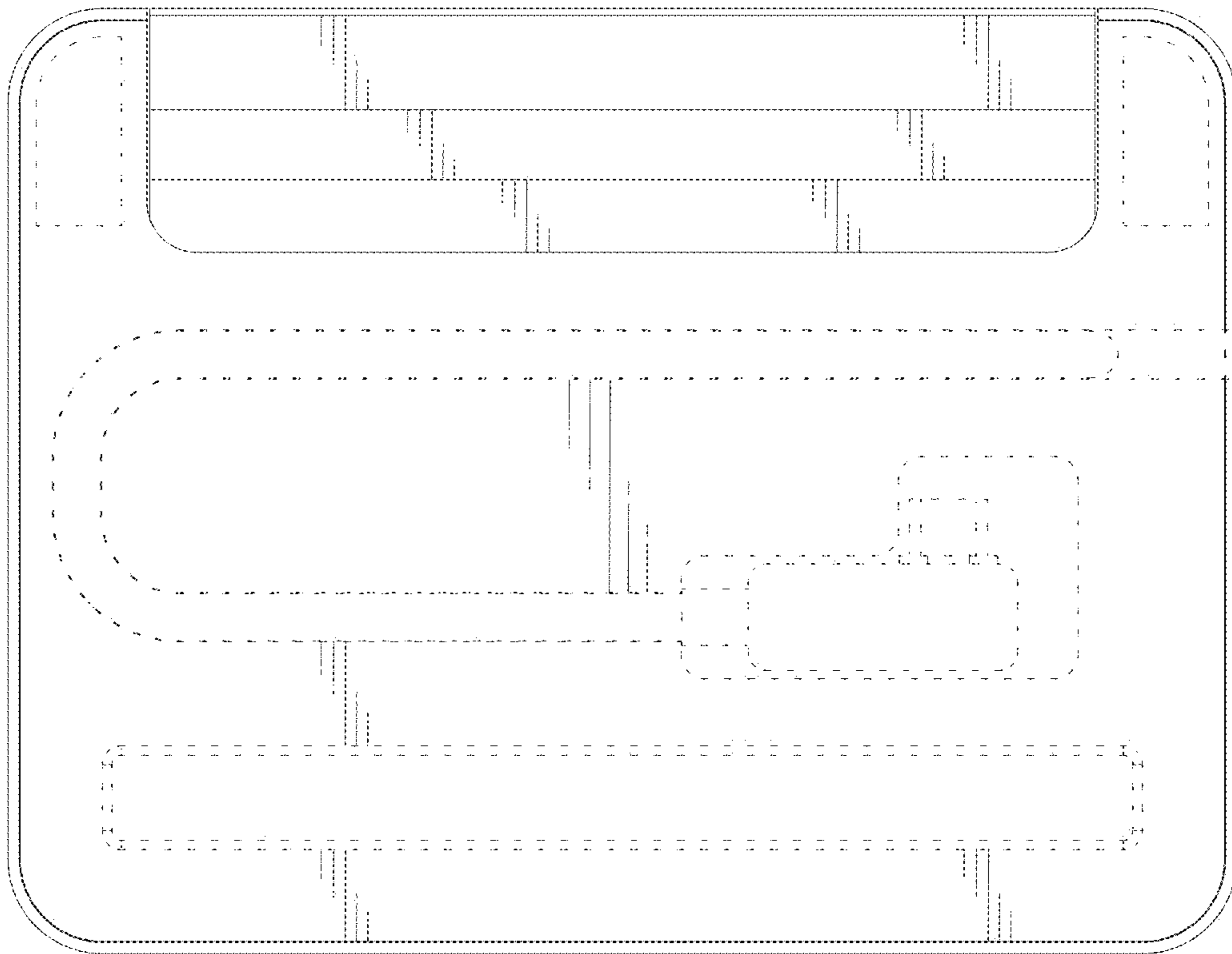


FIG. 6

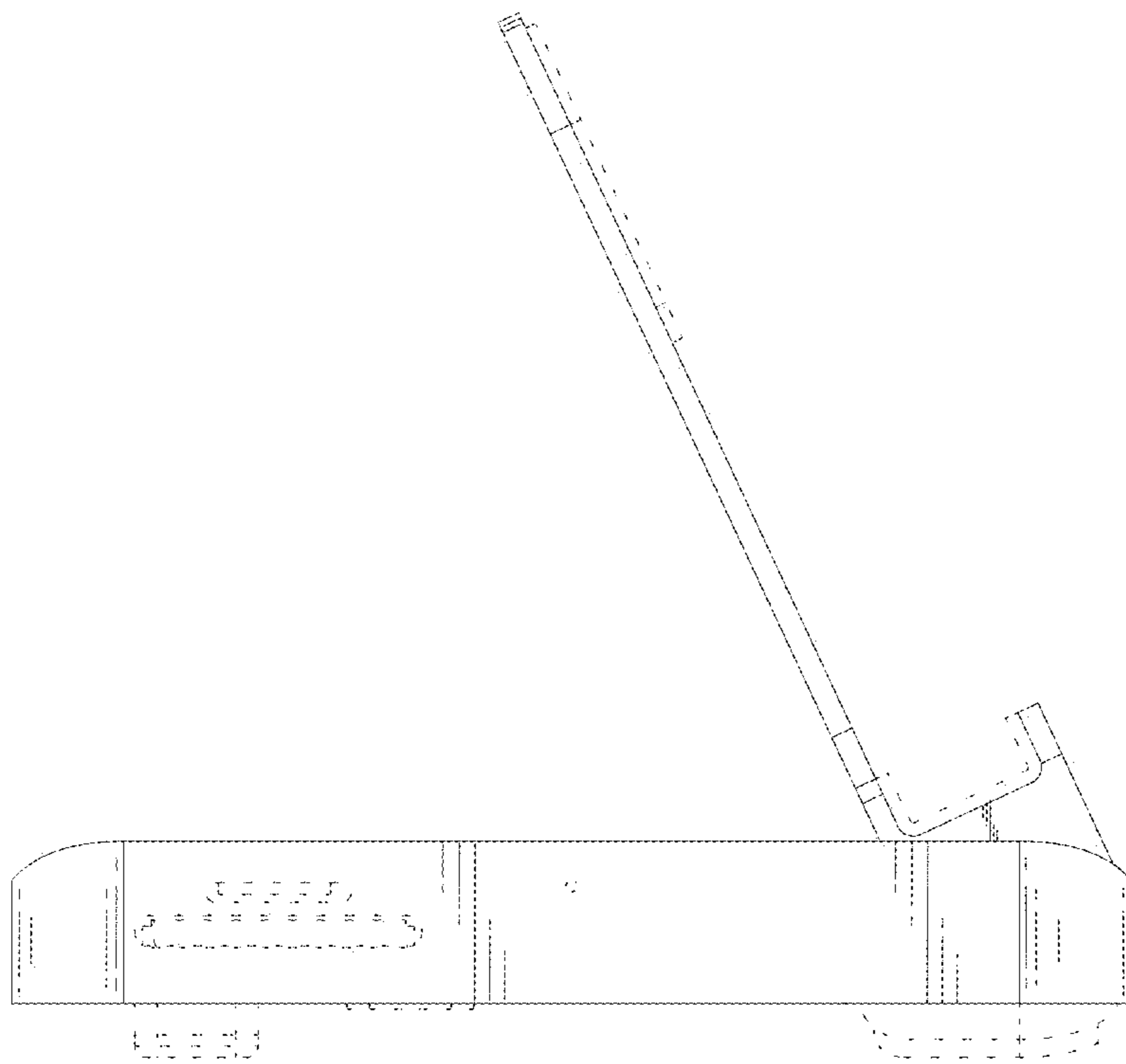


FIG. 7

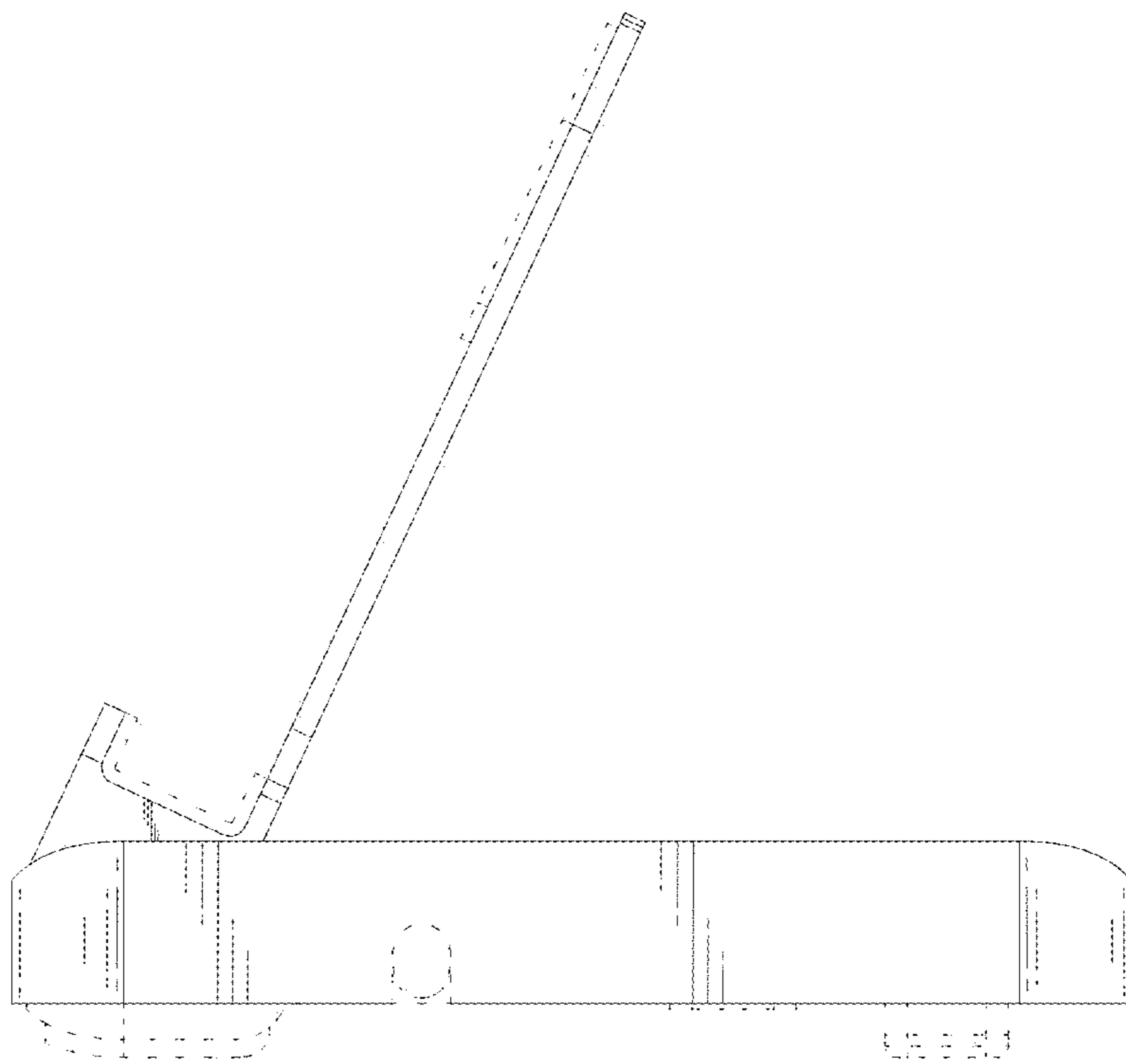


FIG. 8

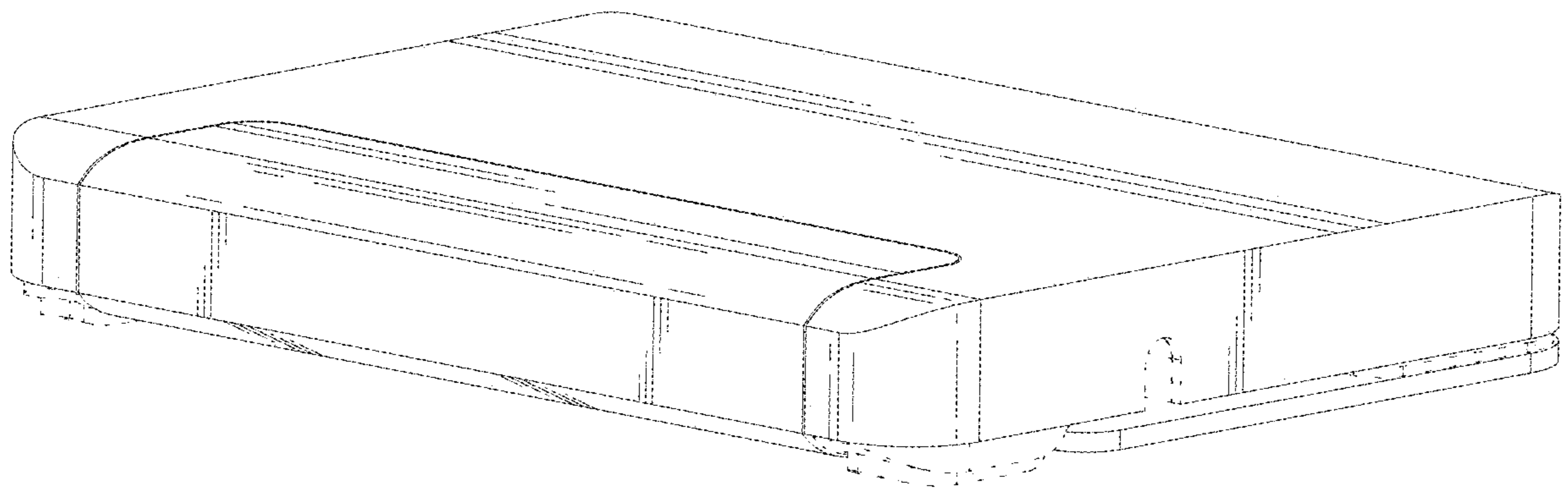


FIG. 9

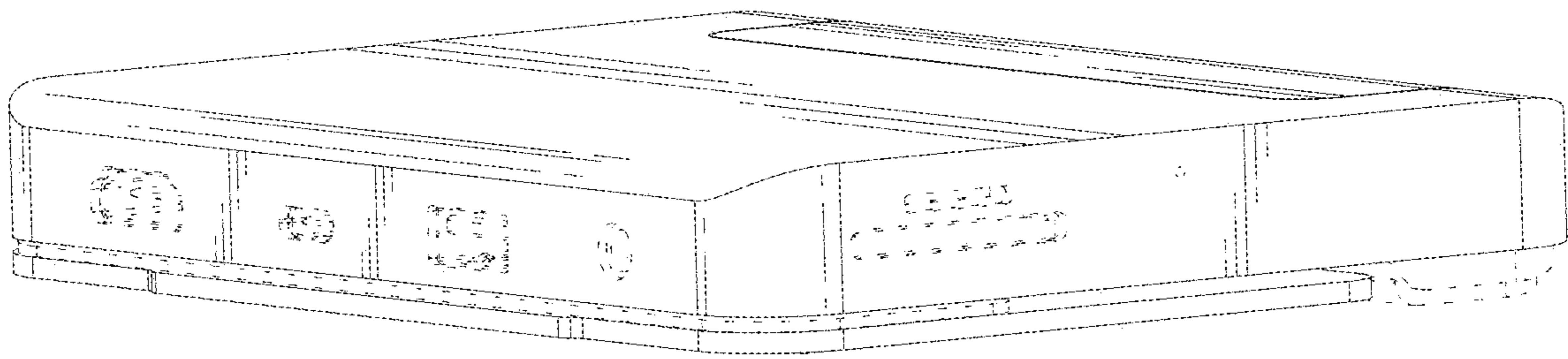


FIG. 10

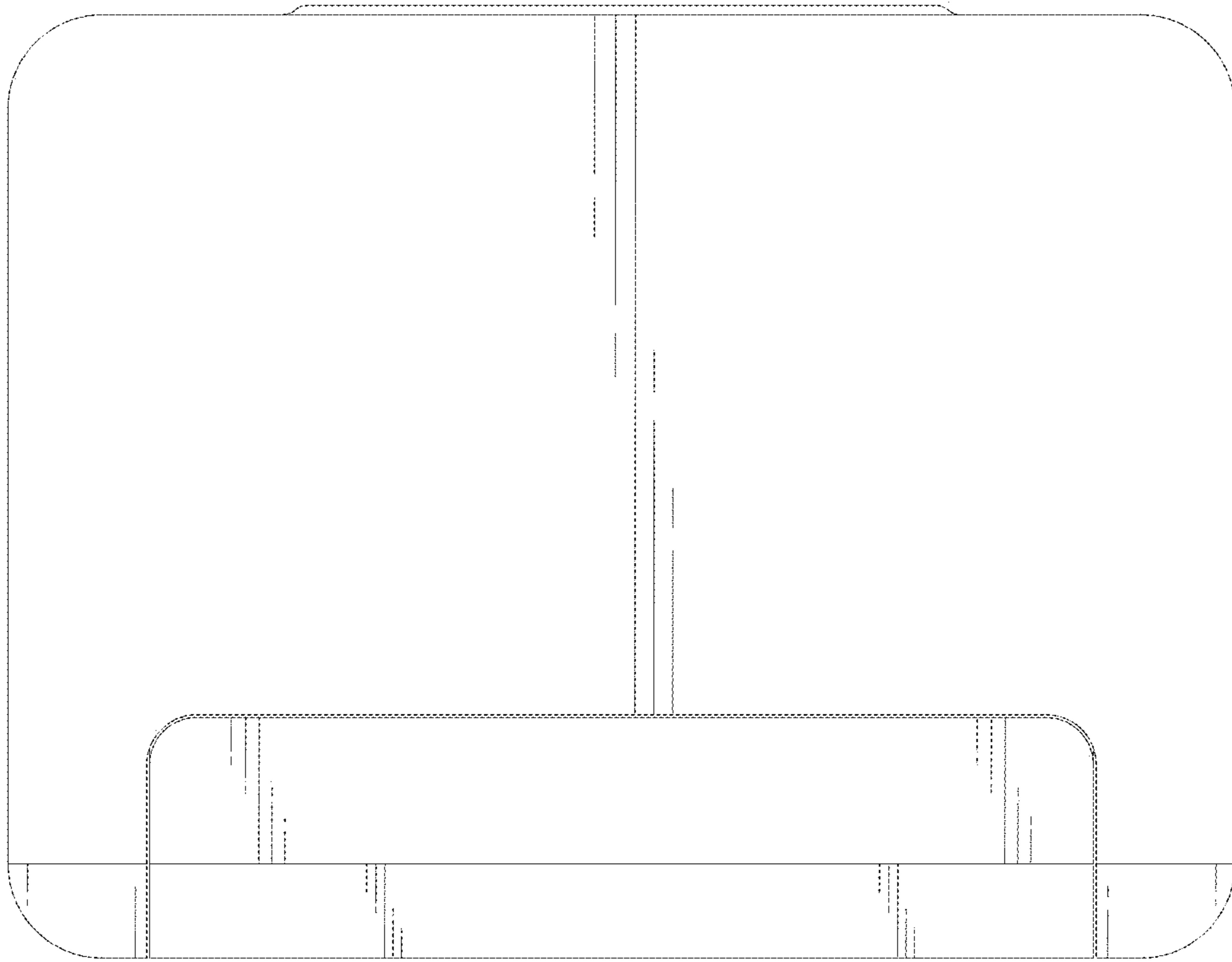


FIG. 11

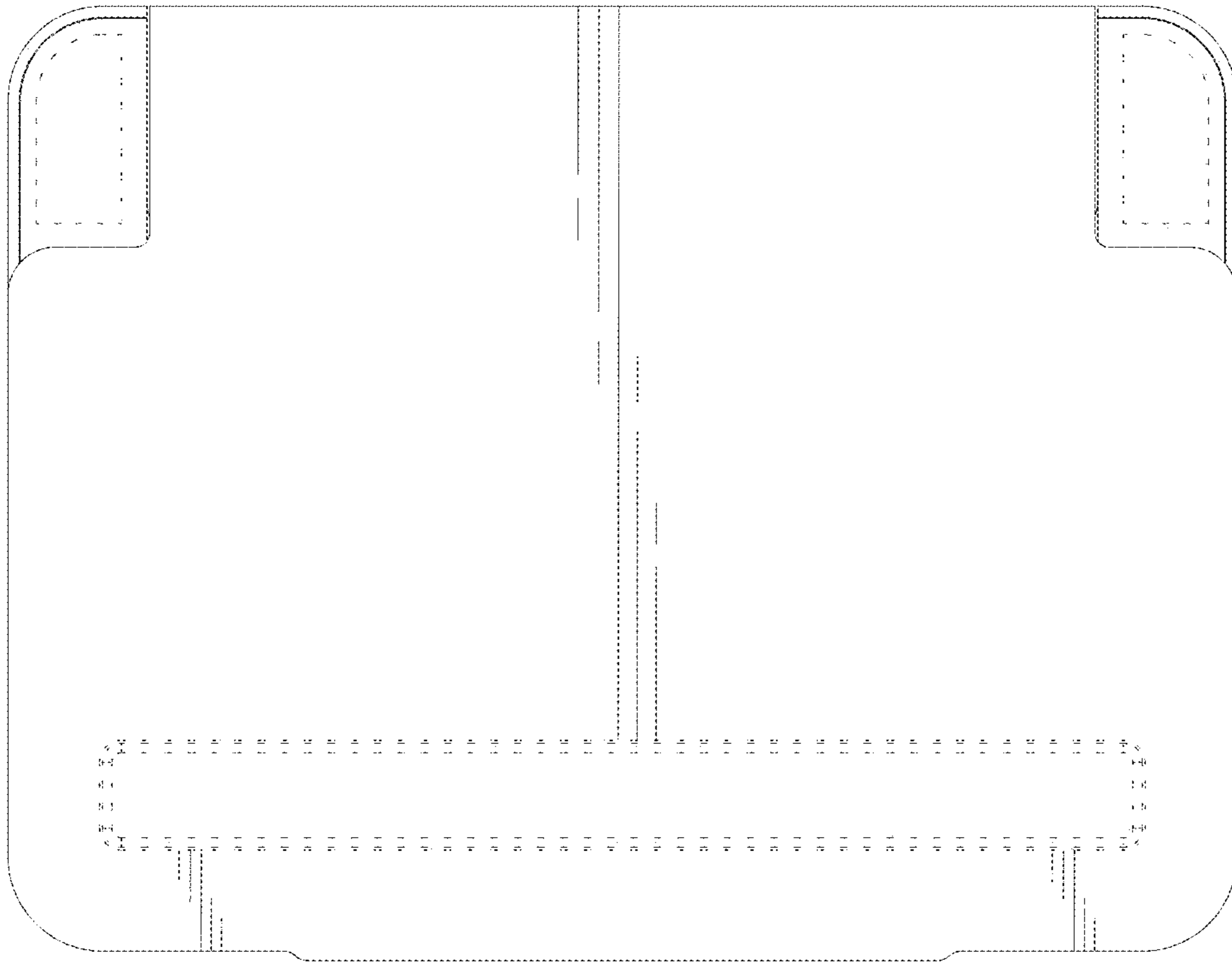


FIG. 12