



US00D972573S

(12) **United States Design Patent**
Peng

(10) **Patent No.:** **US D972,573 S**

(45) **Date of Patent:** **** Dec. 13, 2022**

(54) **PROTECTIVE COVER**

(71) Applicant: **Shenzhen Yihenke Electronic Technology Co. Ltd, Shenzhen (CN)**

(72) Inventor: **Chao Peng, Ganzhou (CN)**

(**) Term: **15 Years**

(21) Appl. No.: **29/789,041**

(22) Filed: **Aug. 26, 2021**

(51) **LOC (13) Cl.** **14-02**

(52) **U.S. Cl.**
USPC **D14/440**

(58) **Field of Classification Search**
USPC D14/203.3–203.7, 439, 447, 251–253,
D14/217, 240, 238.1, 440, 248, 250;
D13/103, 107–108, 119; D3/201, 218,
D3/247, 249, 269, 273, 301, 303, 294
CPC H04B 1/3888; A45C 13/02; A45C 11/00;
A45C 2011/002; A45C 1/06; A45F
2200/0525; A45F 2005/026; A45F
2200/0516; H04M 1/0283; H04M 1/0202
See application file for complete search history.

(56) **References Cited**

U.S. PATENT DOCUMENTS

| | | | | |
|----------------|---------|------------|-------|-------------|
| D606,986 S * | 12/2009 | de Jong | | D3/201 |
| D654,483 S * | 2/2012 | Richardson | | H04M 1/185 |
| | | | | D14/250 |
| 8,186,514 B2 * | 5/2012 | Bowers | | G06F 1/1628 |
| | | | | 206/320 |
| D674,801 S * | 1/2013 | Wharram | | D14/440 |
| D690,704 S * | 10/2013 | Padilla | | D14/440 |
| D692,873 S * | 11/2013 | Daniel | | D14/250 |
| D709,510 S * | 7/2014 | Soare | | D14/440 |
| D755,188 S * | 5/2016 | Burmester | | D14/440 |
| D777,727 S * | 1/2017 | Maicon | | D14/440 |

| | | | | |
|-------------------|---------|----------|-------|-------------|
| D791,773 S * | 7/2017 | Moore | | D14/440 |
| D840,991 S * | 2/2019 | Kim | | D14/250 |
| D842,287 S * | 3/2019 | Weaver | | D14/250 |
| D860,212 S * | 9/2019 | Ahn | | D14/440 |
| D860,999 S * | 9/2019 | Kim | | D14/440 |
| D864,279 S * | 10/2019 | Wang | | D14/440 |
| D884,709 S * | 5/2020 | Cheng | | D14/440 |
| D886,109 S * | 6/2020 | Li | | D14/440 |
| D892,804 S | 8/2020 | Lin | | |
| D897,348 S | 9/2020 | Liao | | |
| D897,349 S | 9/2020 | Li | | |
| D906,337 S * | 12/2020 | Cheng | | D14/440 |
| D912,677 S * | 3/2021 | Li | | D14/440 |
| D917,496 S * | 4/2021 | Chen | | D14/440 |
| D947,827 S * | 4/2022 | Bai | | D21/333 |
| 2020/0076937 A1 * | 3/2020 | Ackerman | | H04B 1/3888 |

* cited by examiner

Primary Examiner — Carla J Wright

(74) *Attorney, Agent, or Firm* — Rumit Ranjit Kanakia

(57) **CLAIM**

The ornamental design for a protective cover, as shown and described.

DESCRIPTION

FIG. 1 is a first perspective view of a protective cover showing my new design;

FIG. 2 is a second perspective view thereof;

FIG. 3 is a front view thereof;

FIG. 4 is a back view thereof;

FIG. 5 is a left side view thereof;

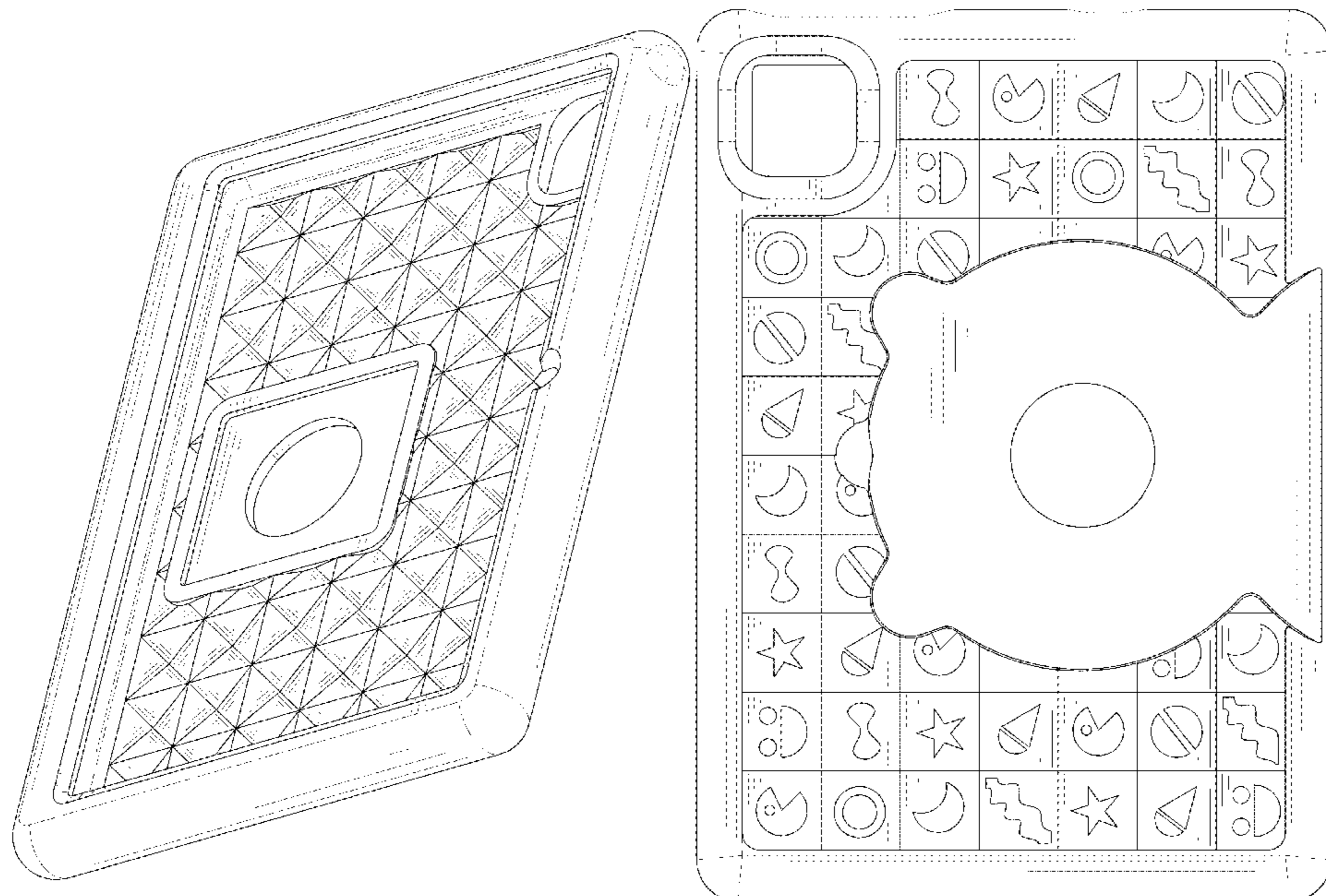
FIG. 6 is a right side view thereof;

FIG. 7 is a top view thereof; and,

FIG. 8 is a bottom view thereof.

The broken lines shown in the drawings depict portions of the protective cover in which the design is embodied that form no part of the claimed design.

1 Claim, 8 Drawing Sheets



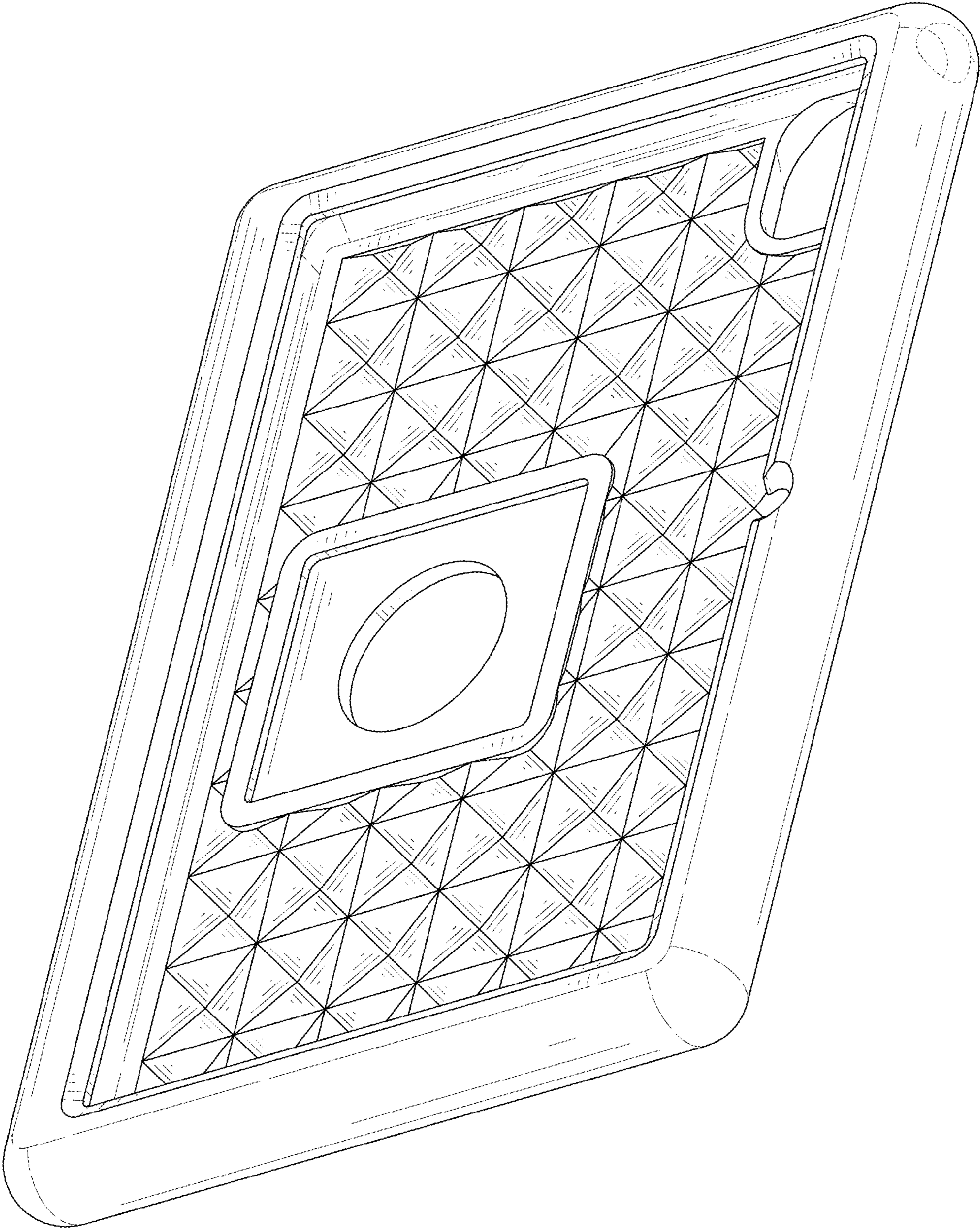


FIG. 1

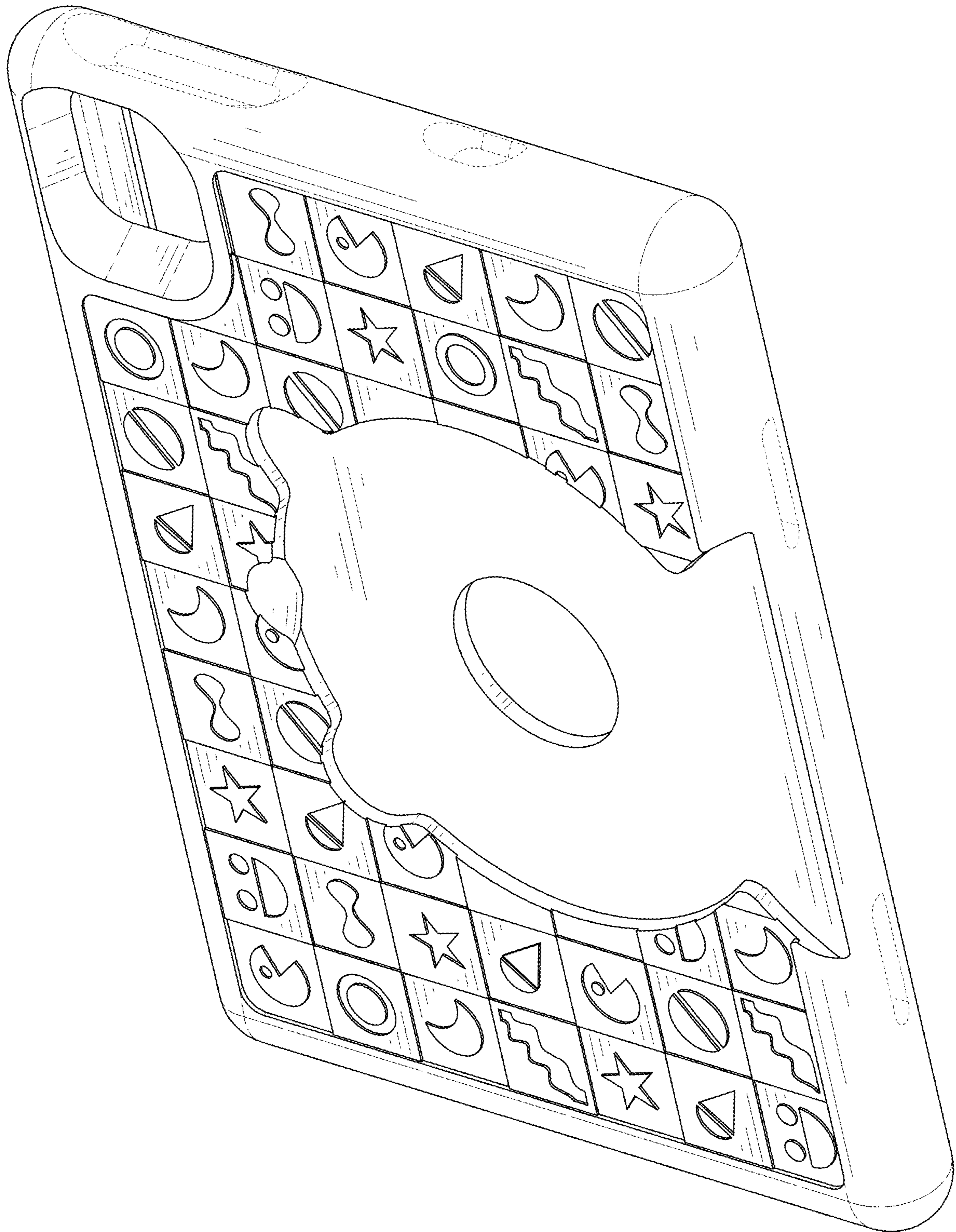


FIG. 2

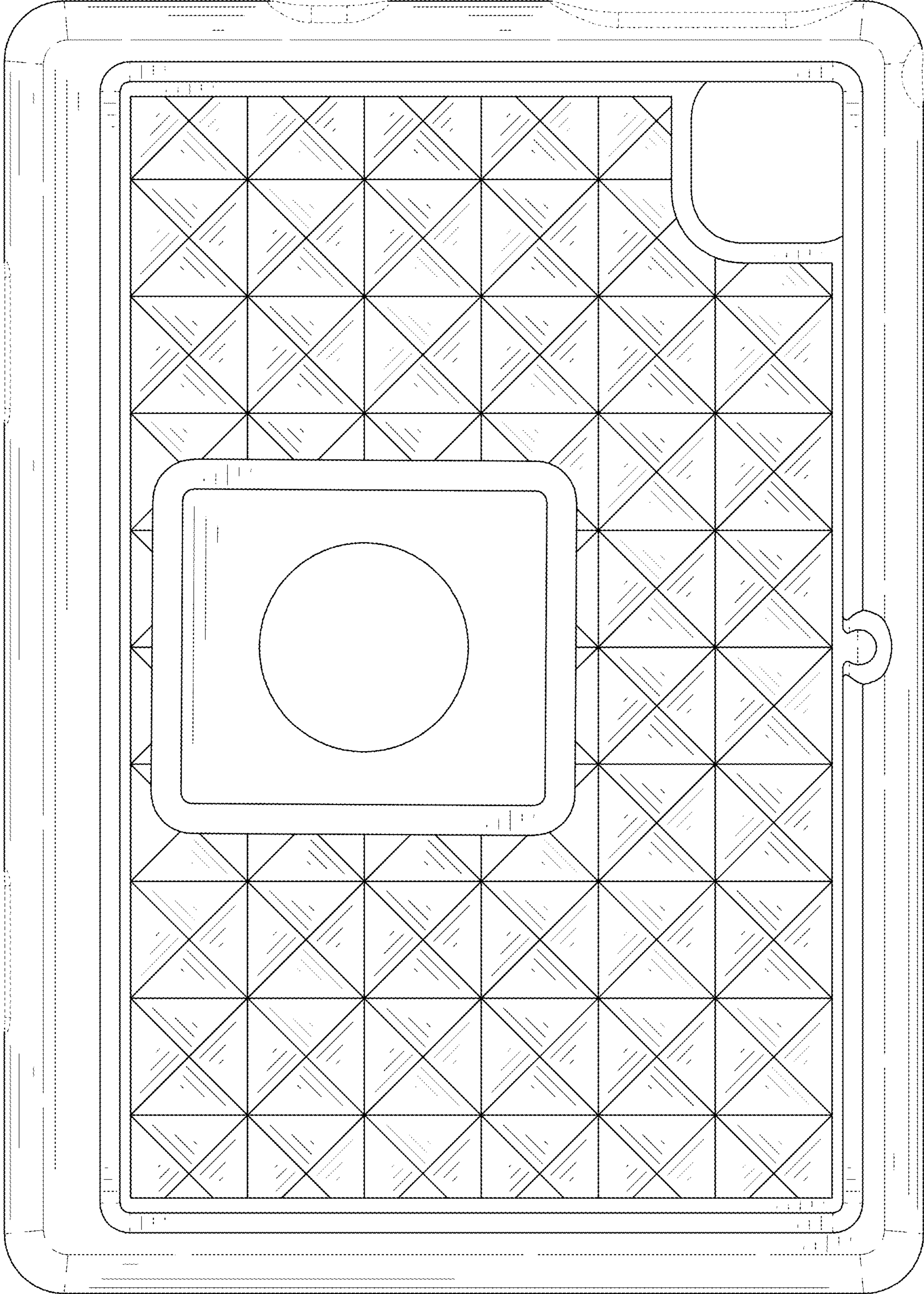


FIG. 3

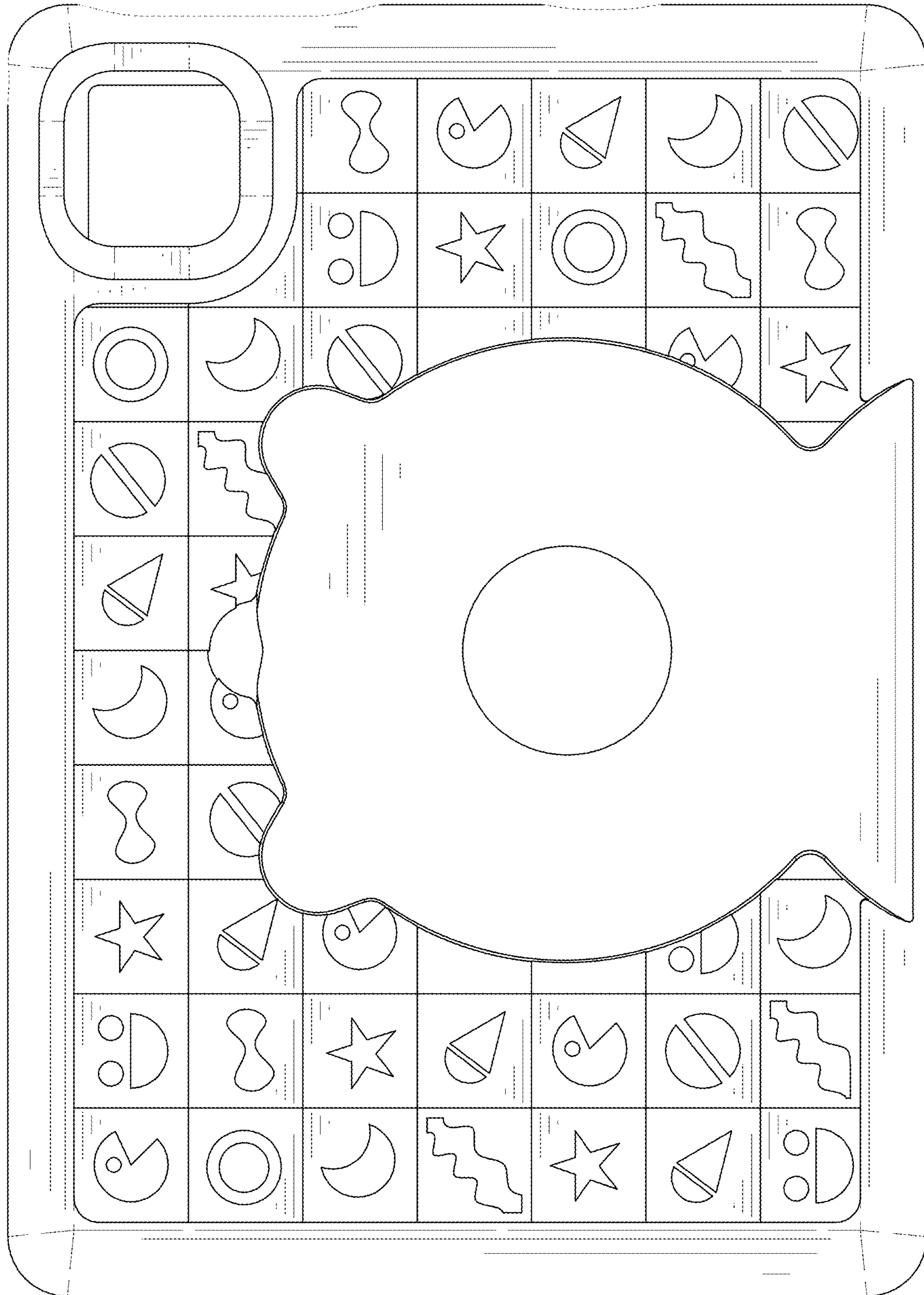


FIG. 4

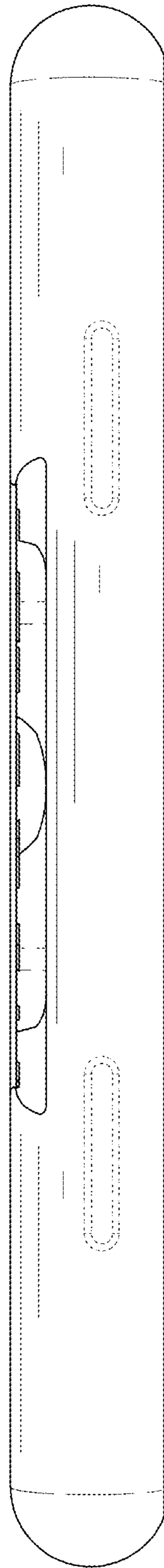


FIG. 5

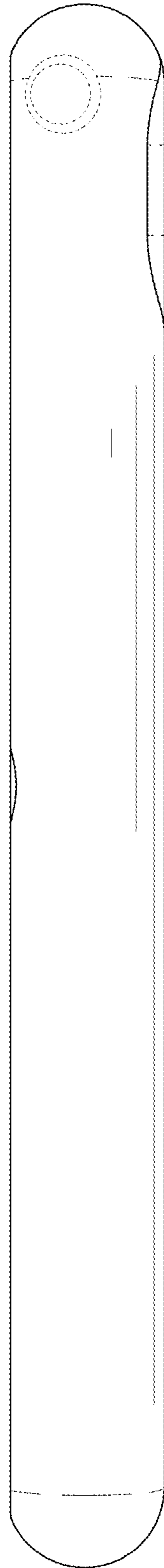


FIG. 6

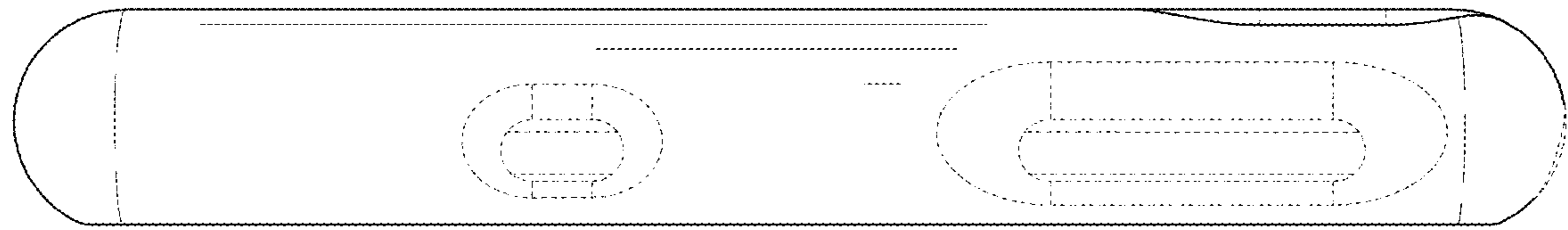


FIG. 7

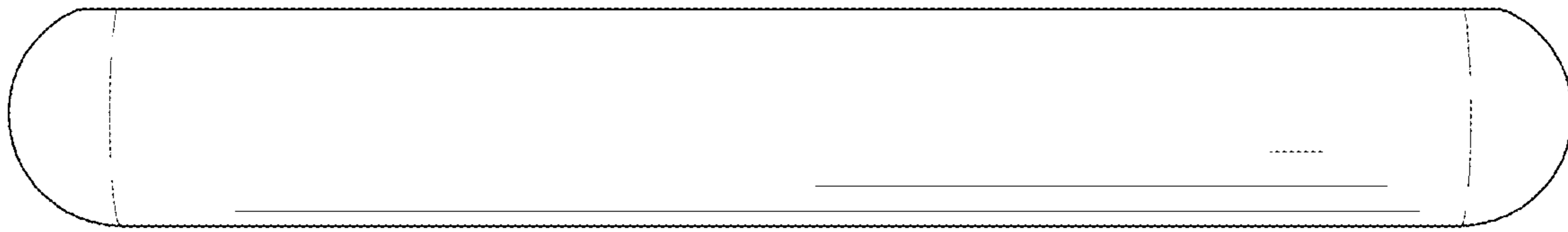


FIG. 8