

US00D972572S

(12) **United States Design Patent**  
**Clark et al.**

(10) **Patent No.:** **US D972,572 S**  
(45) **Date of Patent:** **\*\* Dec. 13, 2022**

(54) **PROTECTIVE INFORMATION HANDLING SYSTEM CASE**

D805,775 S \* 12/2017 Tsai ..... D3/905  
D874,823 S \* 2/2020 Christen ..... D3/905  
10,603,783 B2 \* 3/2020 Brocket ..... B25H 3/021

(Continued)

(71) Applicant: **Dell Products L.P.**, Round Rock, TX (US)

**OTHER PUBLICATIONS**

(72) Inventors: **Peter Clark**, Zhongzheng District (TW); **Richard W. Guzman**, Austin, TX (US); **Sean P. O'Donnell**, Brookline, MA (US); **Georg Todtenbier**, Taipei (TW); **Oscar Coutinho**, Taipei (TW); **Yung-Chun Chen**, Hsinchu (TW); **Ming-Chiao Lee**, Taoyuan (TW)

Pelican, "V-Series Medium Duty Rack Mount Case," downloaded from <https://www.pelican.com/us/en/professional/rack-mount-cases/v-series/> on Dec. 9, 2021, 6 pages.

*Primary Examiner* — Katie Jane Stofko  
(74) *Attorney, Agent, or Firm* — Zagorin Cave LLP; Robert W. Holland

(73) Assignee: **Dell Products L.P.**, Round Rock, TX (US)

(57) **CLAIM**

We claim the ornamental design for a protective information handling system case, as shown and described.

(\*\*) Term: **15 Years**

**DESCRIPTION**

(21) Appl. No.: **29/770,066**

(22) Filed: **Feb. 9, 2021**

(51) **LOC (13) Cl.** ..... **14-02**

(52) **U.S. Cl.**  
USPC ..... **D14/440**

(58) **Field of Classification Search**  
USPC ..... D14/440, 250, 447; 206/45.2, 45.23, 206/320; 361/679.55; 294/25; 224/218  
CPC ... G06F 1/1628; G06F 1/1626; A47B 23/044; H04B 1/3888  
See application file for complete search history.

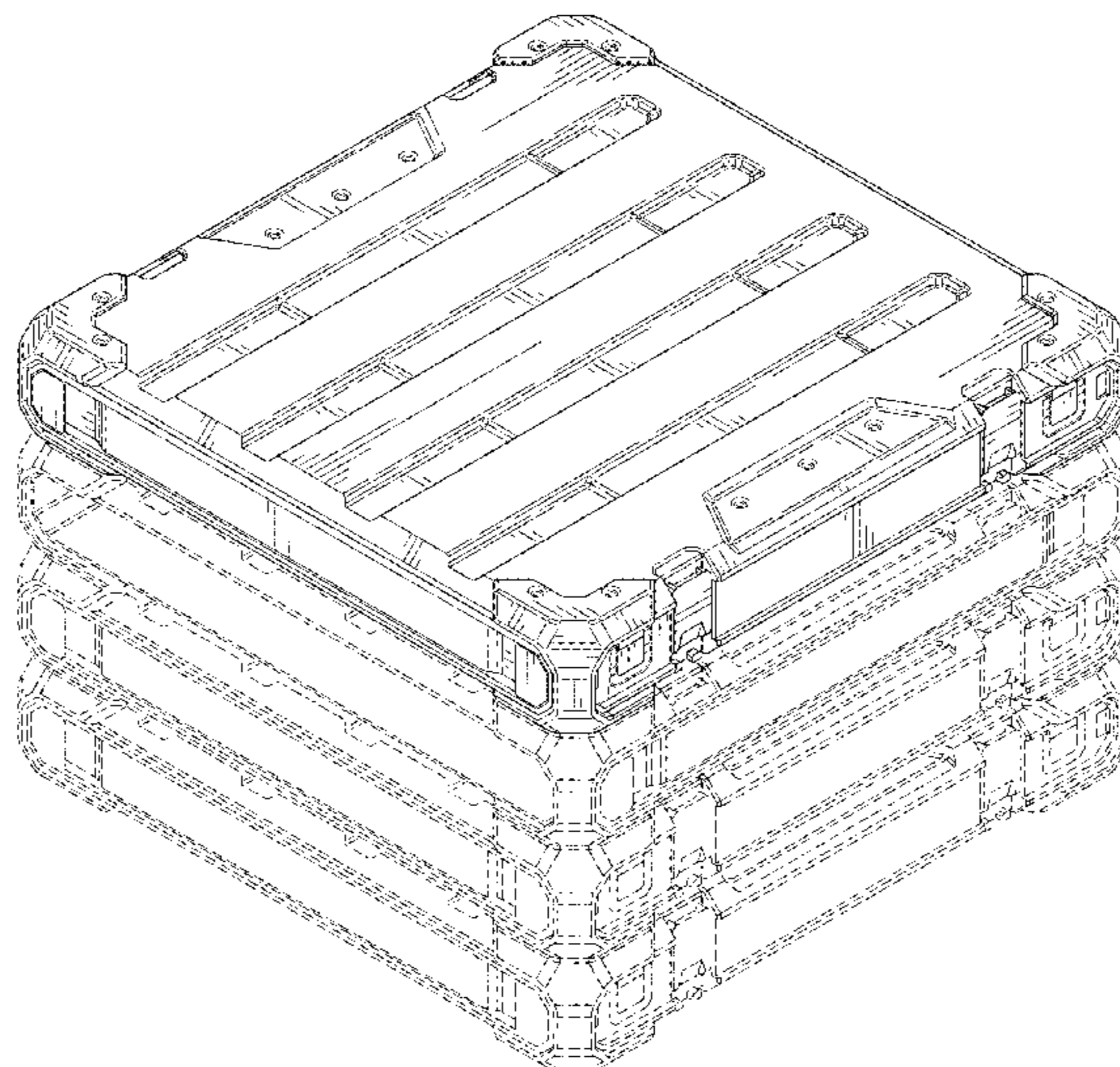
FIG. 1 is a front, top and right side perspective view of the protective information handling system case comprising the present invention;  
FIG. 2 is a front elevation view thereof;  
FIG. 3 is a rear elevation view thereof;  
FIG. 4 is a right side elevation view thereof;  
FIG. 5 is a left side elevation view thereof;  
FIG. 6 is a top plan view thereof;  
FIG. 7 is a bottom plan view thereof;  
FIG. 8 is a front, bottom and right side perspective view thereof, shown in an alternate position;  
FIG. 9 is another front, top and right side perspective view thereof shown in an alternate position; and,  
FIG. 10 is another front, top and right side perspective view thereof shown in an environment of use.  
The broken lines illustrating the three other protective information handling system cases in FIG. 10 are environment, while the remaining broken lines in the drawings illustrate portions of the protective information handling system case that form no part of the claimed design.

(56) **References Cited**

**U.S. PATENT DOCUMENTS**

D373,348 S \* 9/1996 Carlson ..... D14/440  
D527,523 S \* 9/2006 Cornwell ..... D3/905  
D563,670 S \* 3/2008 Cornwell ..... D3/905  
D712,137 S \* 9/2014 Hsu ..... D3/905  
D722,598 S 2/2015 Menendez  
9,725,209 B1 \* 8/2017 Ben-Gigi ..... B25H 3/02

**1 Claim, 7 Drawing Sheets**



(56)

**References Cited**

U.S. PATENT DOCUMENTS

D882,952 S \* 5/2020 Austin ..... D3/905  
D888,050 S 6/2020 Jones  
D896,517 S \* 9/2020 Brunner ..... D3/294  
2016/0144500 A1 \* 5/2016 Chen ..... B65D 21/023  
206/349  
2017/0121056 A1 \* 5/2017 Wang ..... B65D 21/0228  
2019/0225371 A1 \* 7/2019 Hoppe ..... B25H 3/02

\* cited by examiner

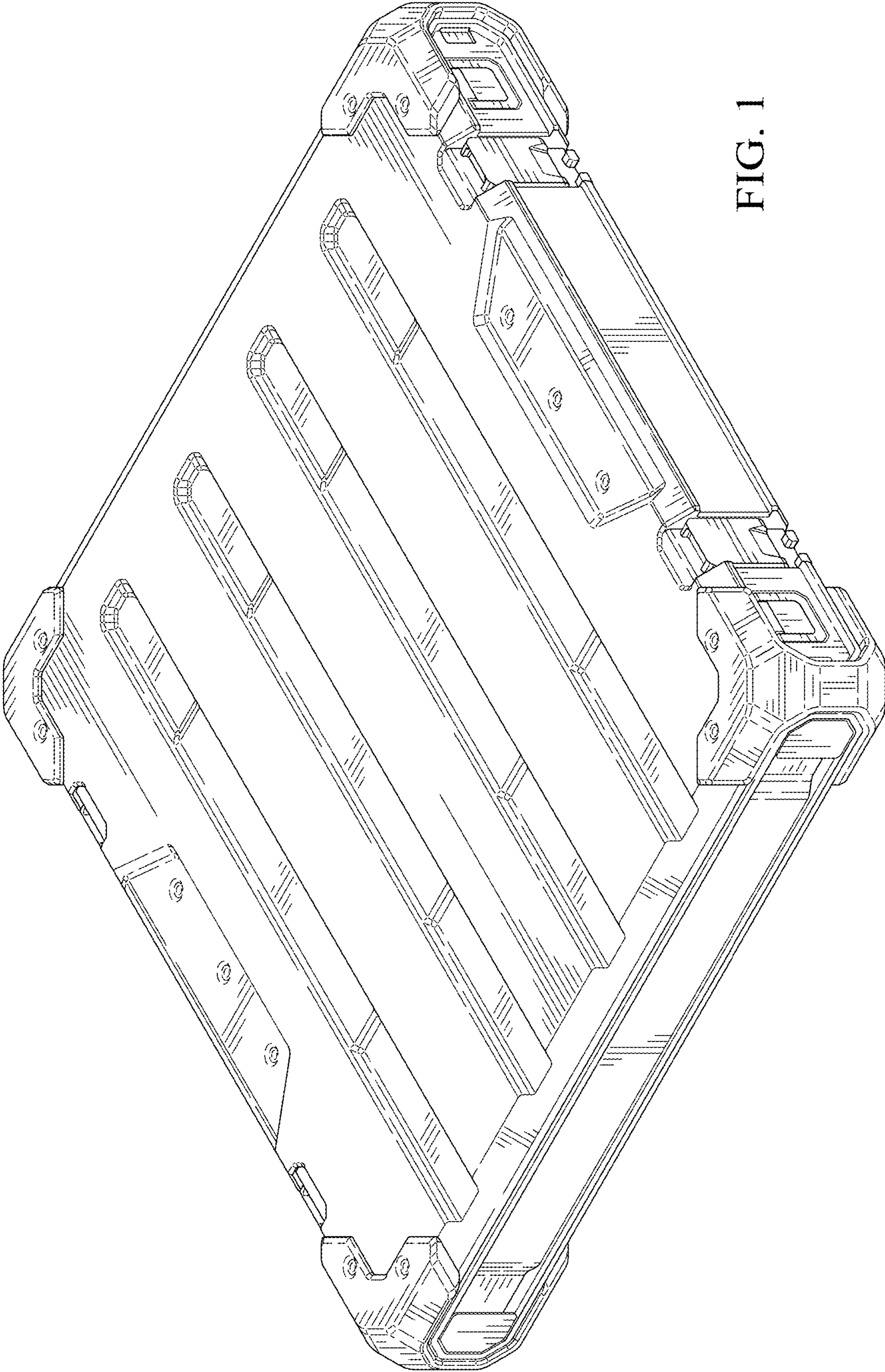


FIG. 1

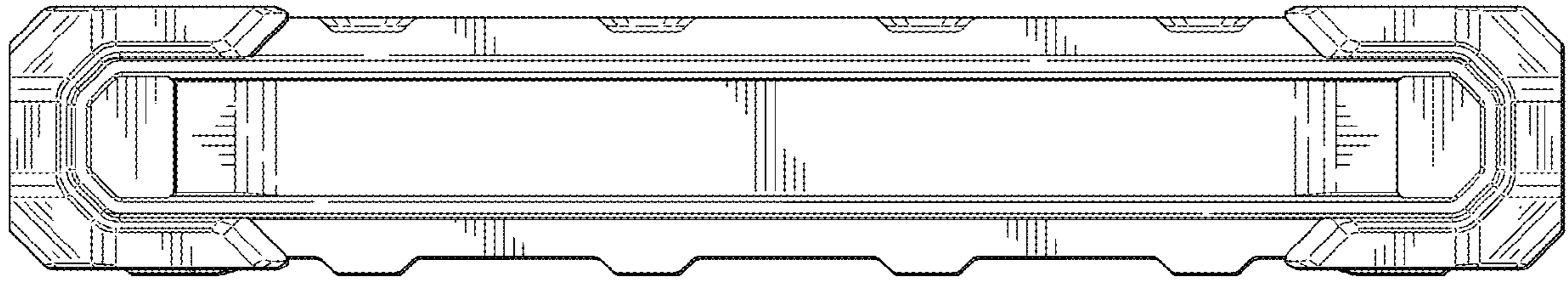


FIG. 2

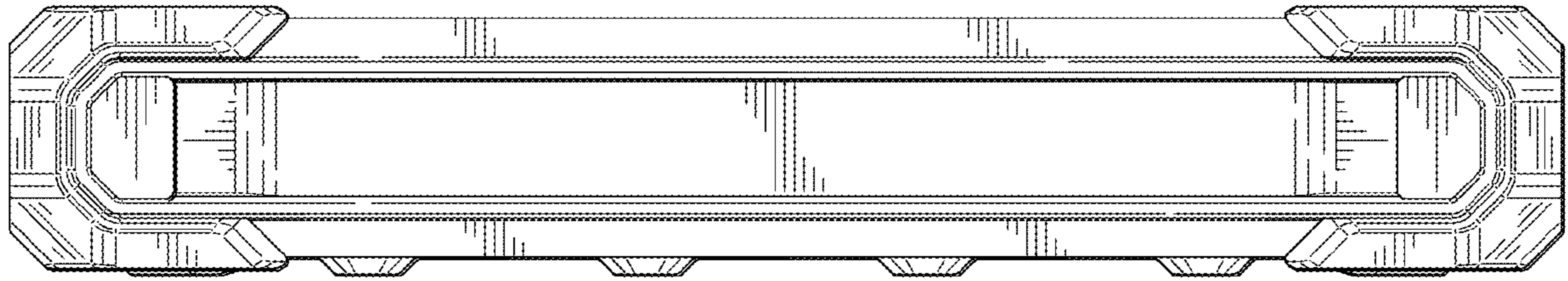


FIG. 3

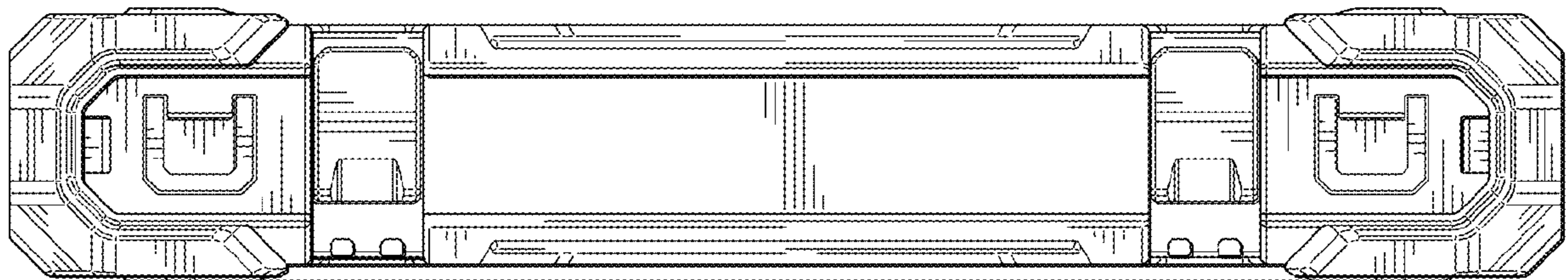


FIG. 4

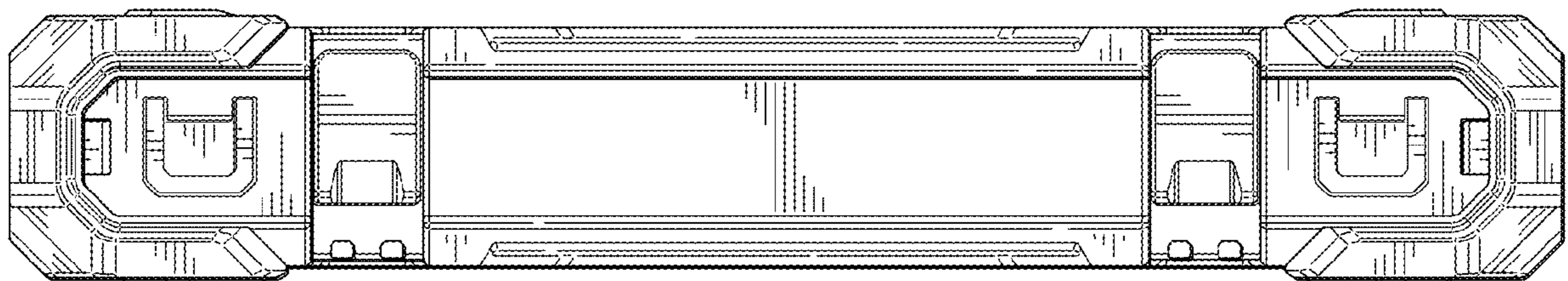


FIG. 5

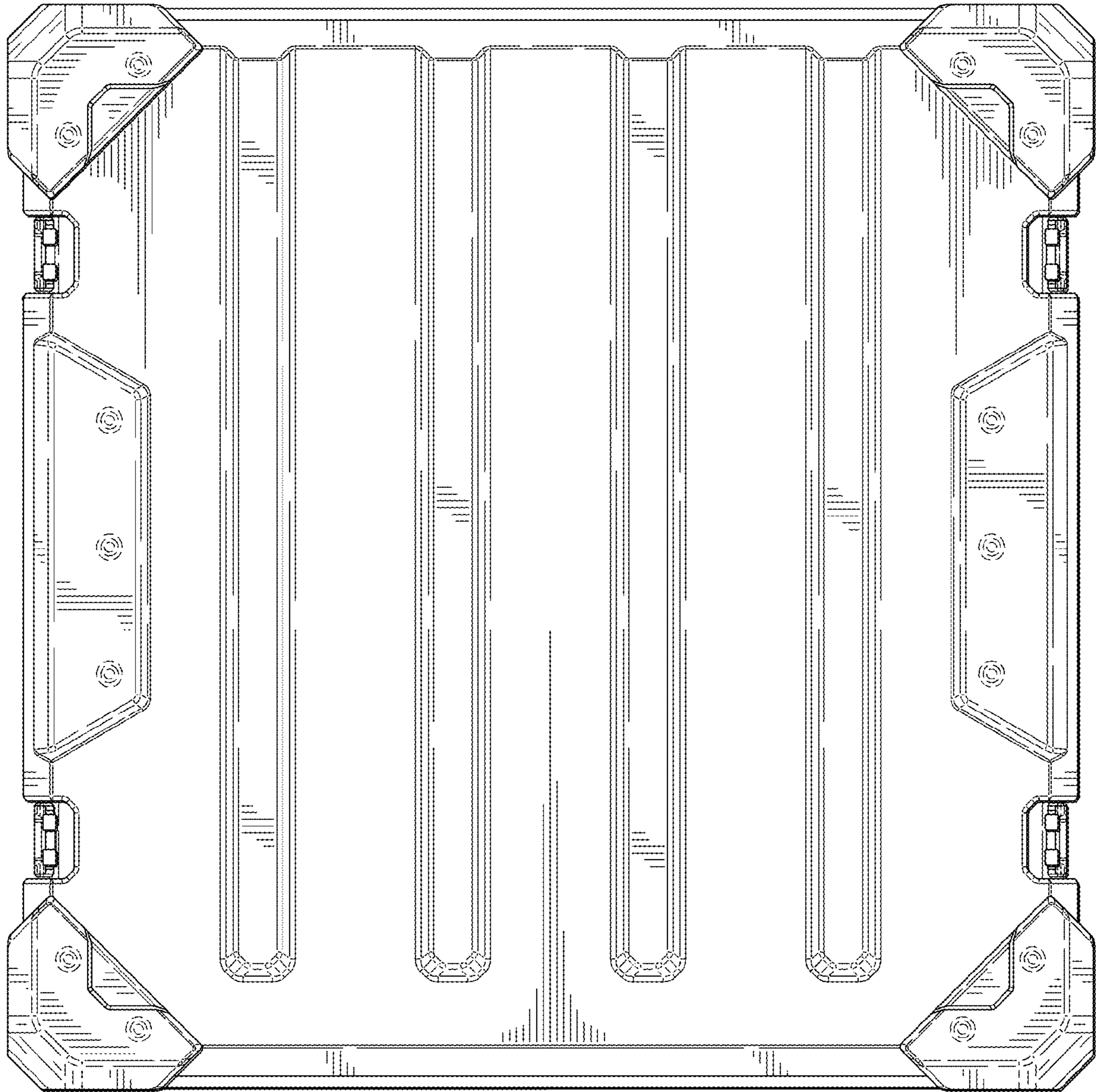


FIG. 6

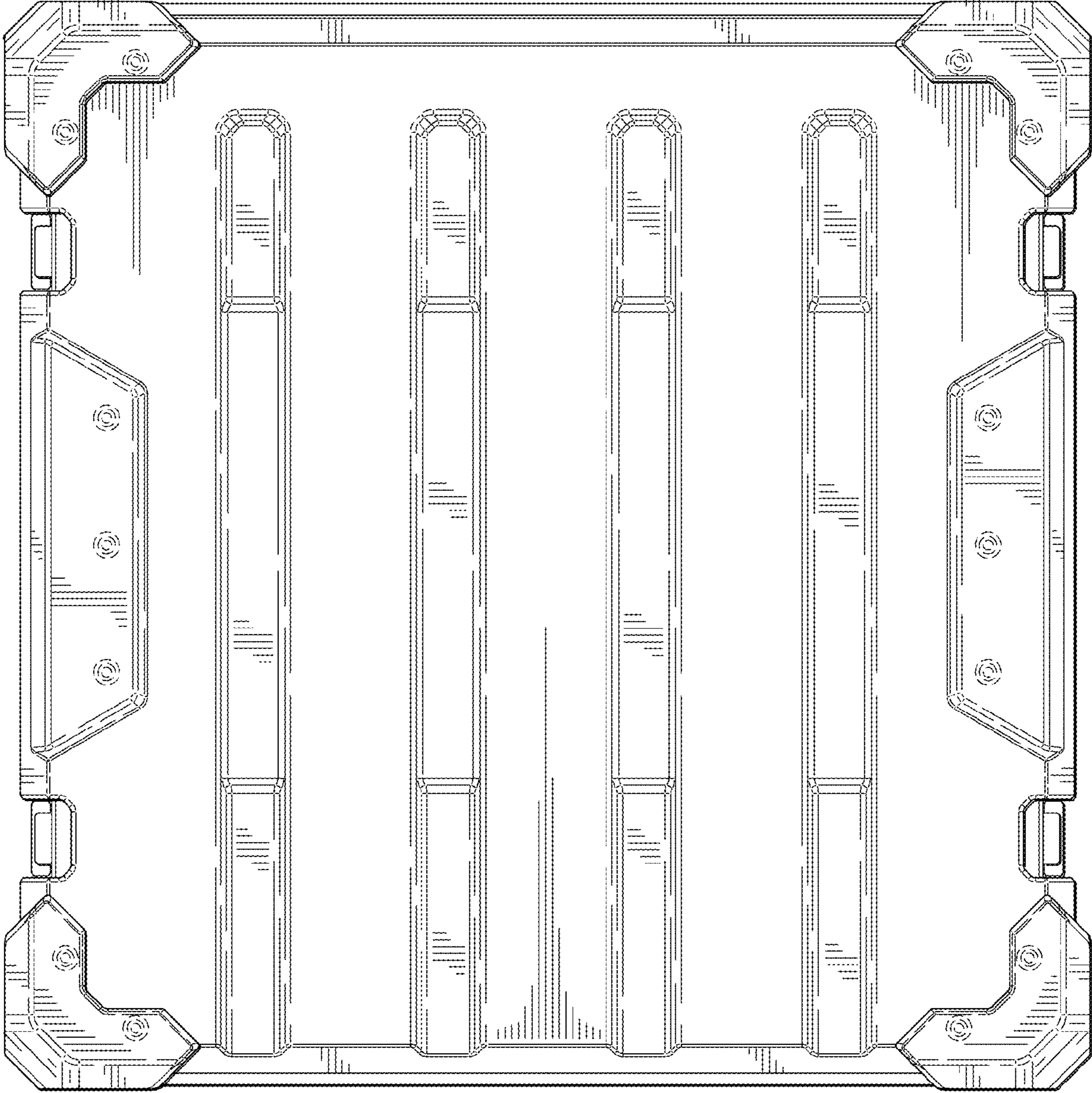


FIG. 7

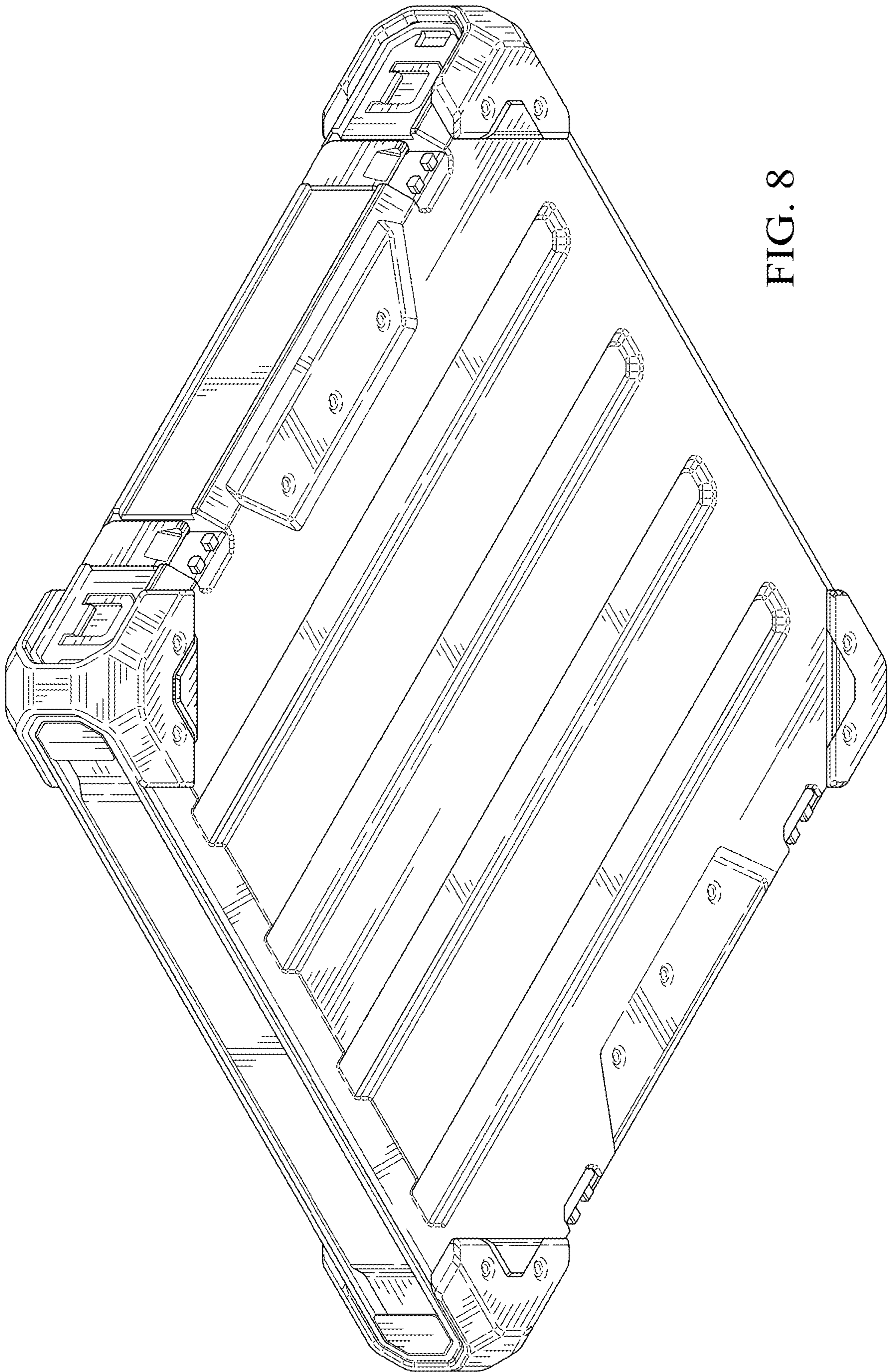


FIG. 8

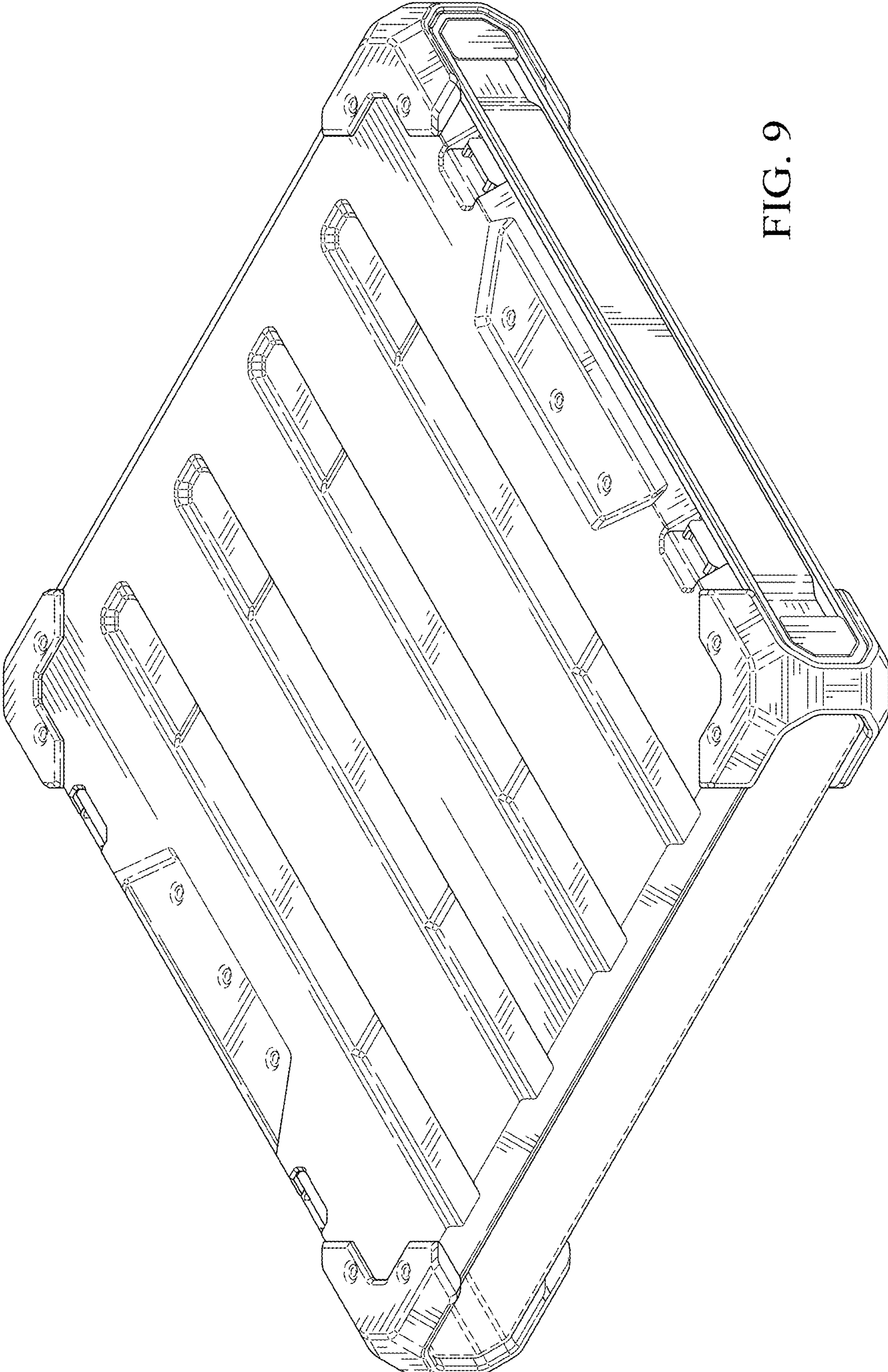


FIG. 9



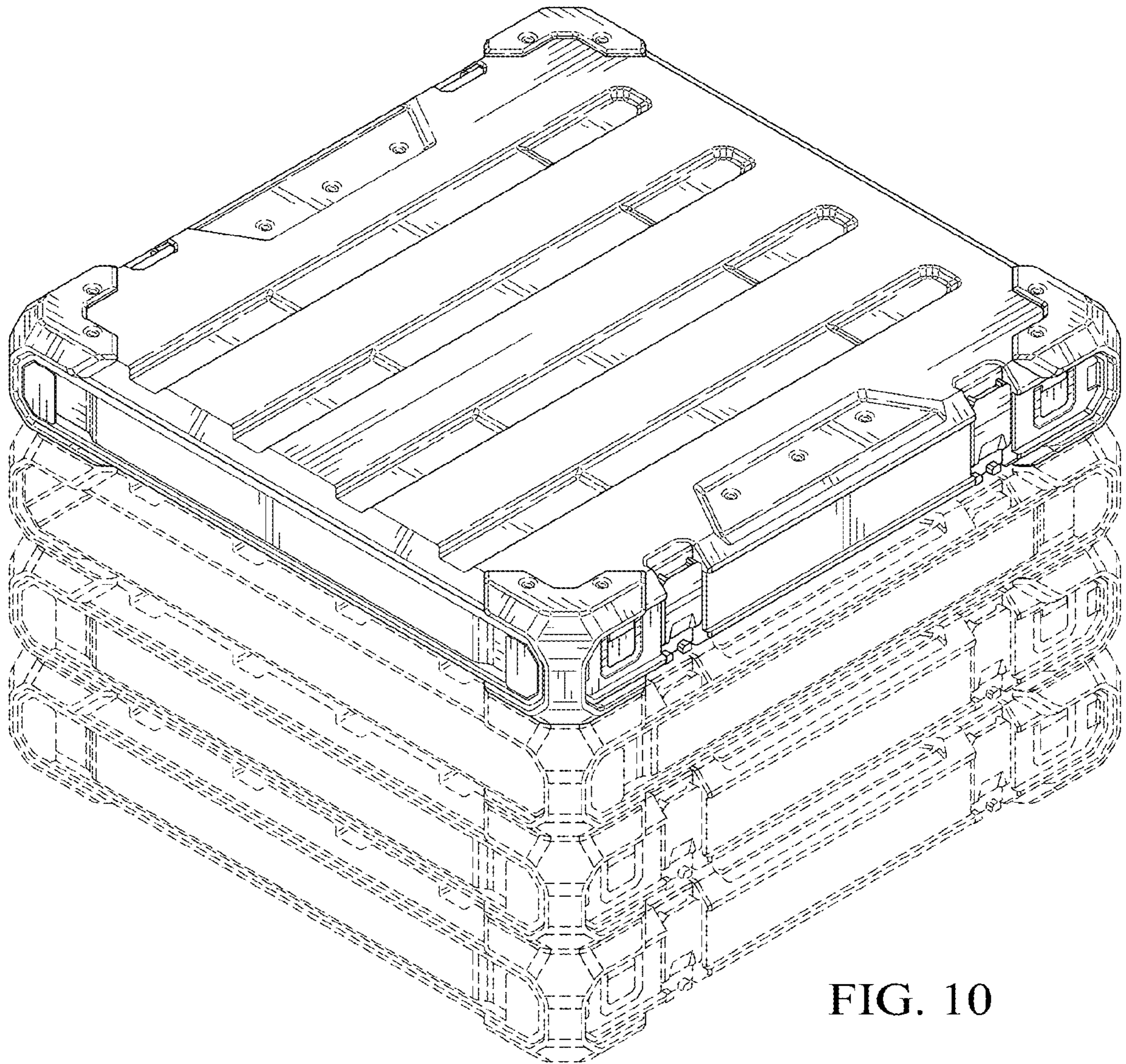


FIG. 10