



US00D972571S

(12) **United States Design Patent** (10) **Patent No.:** **US D972,571 S**
Xu (45) **Date of Patent:** **** Dec. 13, 2022**

(54) **PROTECTIVE CASE FOR TABLET**

(71) Applicant: **Shenzhen Weimeijuguang Technology Co., Ltd., Shenzhen (CN)**

(72) Inventor: **Xianlin Xu, Shangrao (CN)**

(73) Assignee: **Shenzhen Weimeijuguang Technology Co., Ltd., Shenzhen (CN)**

(**) Term: **15 Years**

(21) Appl. No.: **29/733,131**

(22) Filed: **Apr. 29, 2020**

(51) **LOC (13) Cl.** **14-02**

(52) **U.S. Cl.**
USPC **D14/440**

(58) **Field of Classification Search**
USPC D14/440, 447, 250; 206/45.23, 320,
206/45.2; 361/679.55; 294/25; 224/218;
455/575.8
CPC ... G06F 1/1628; G06F 1/1626; A47B 23/044;
H04B 1/3888; A45C 11/00
See application file for complete search history.

(56) **References Cited**

U.S. PATENT DOCUMENTS

D597,052 S *	7/2009	Kim	D14/138 AB
D634,314 S *	3/2011	Fahrendorff	D14/250
D649,144 S *	11/2011	Fathollahi	D14/250
D685,358 S *	7/2013	Armstrong	D14/250
D685,786 S *	7/2013	Seoc	D14/353
D690,292 S *	9/2013	Bibla	D14/250
D715,785 S *	10/2014	Jacob	D14/250
D719,144 S *	12/2014	Eulette	D14/250
D721,686 S *	1/2015	Jacob	D14/250
D733,696 S *	7/2015	Burgett	D14/250
D742,869 S *	11/2015	Odhwani	D14/250
D768,123 S *	10/2016	Armstrong	D14/250
D770,458 S *	11/2016	Corcoran	D14/440

D772,288 S *	11/2016	Montes	D14/488
D775,198 S *	12/2016	Montes	D14/489
D794,626 S *	8/2017	Armstrong	D14/250
D806,082 S *	12/2017	Armstrong	D14/440
D825,571 S *	8/2018	Shannon, III	D14/440
D832,269 S *	10/2018	Cheng	D14/440
10,148,307 B2 *	12/2018	Shannon, III	G06F 1/1643
D844,621 S *	4/2019	Chen	D14/440
D851,648 S *	6/2019	Tan	D14/440
D852,203 S *	6/2019	Rui	D14/447
D868,788 S *	12/2019	Weng	D14/440
D868,789 S *	12/2019	Weng	D14/440
D872,093 S *	1/2020	Xu	D14/440
D875,089 S *	2/2020	Hemesath	D14/250
D892,803 S *	8/2020	Armstrong	D14/440
D923,012 S *	6/2021	Li	D14/440
D928,165 S *	8/2021	Li	D14/440
D928,167 S *	8/2021	Cheng	D14/440
D941,297 S *	1/2022	Wright	D14/440
D947,197 S *	3/2022	Cheng	D14/440
D951,242 S *	5/2022	Lin	D14/250
D960,892 S *	8/2022	Zhang	D14/440
D961,598 S *	8/2022	Wang	D14/440

(Continued)

Primary Examiner — Cynthia R Underwood

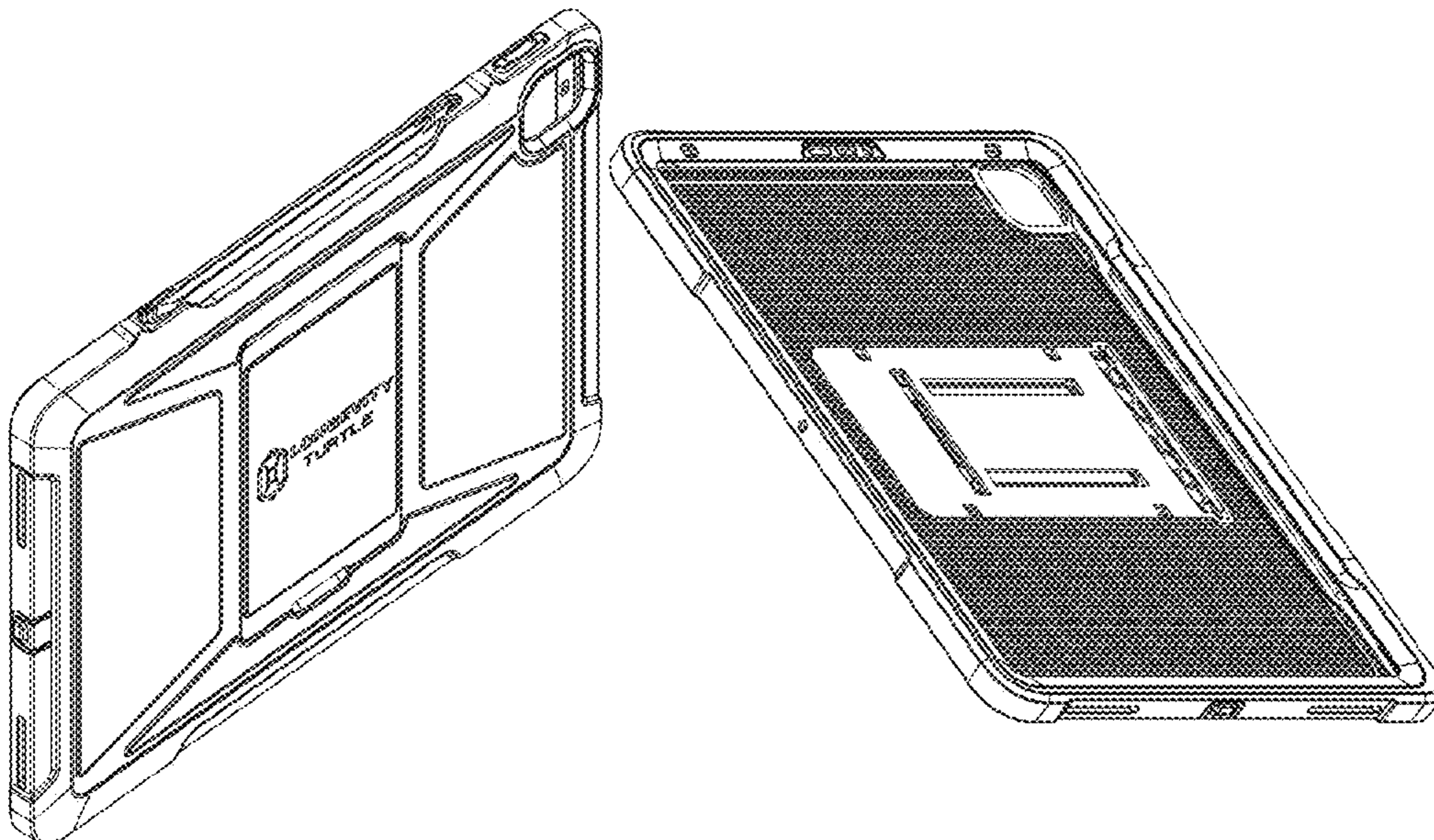
(57) **CLAIM**

The ornamental design for a protective case for tablet, as shown and described.

DESCRIPTION

FIG. 1 is a front perspective view of a protective case for tablet showing my new design;
FIG. 2 is a back perspective view thereof;
FIG. 3 is a front view thereof;
FIG. 4 is a back side view thereof;
FIG. 5 is a bottom side view thereof;
FIG. 6 is a top side view thereof;
FIG. 7 is a left side view thereof; and,
FIG. 8 is a right side view thereof.

1 Claim, 8 Drawing Sheets



(56)

References Cited

U.S. PATENT DOCUMENTS

D964,871 S *	9/2022	Lu	D10/78
D964,992 S *	9/2022	Xu	D14/440
11,456,769 B1 *	9/2022	Miller	G06F 1/1632
2008/0029412 A1 *	2/2008	Ho	F16M 11/10 361/679.55
2019/0142992 A1 *	5/2019	Davidson	C08G 18/10 424/445
2019/0144163 A1 *	5/2019	Lim	B65D 19/04 108/53.5
2019/0149808 A1 *	5/2019	Ng	H04N 13/327 348/59
2019/0275714 A1 *	9/2019	Kanoh	B32B 15/095

* cited by examiner

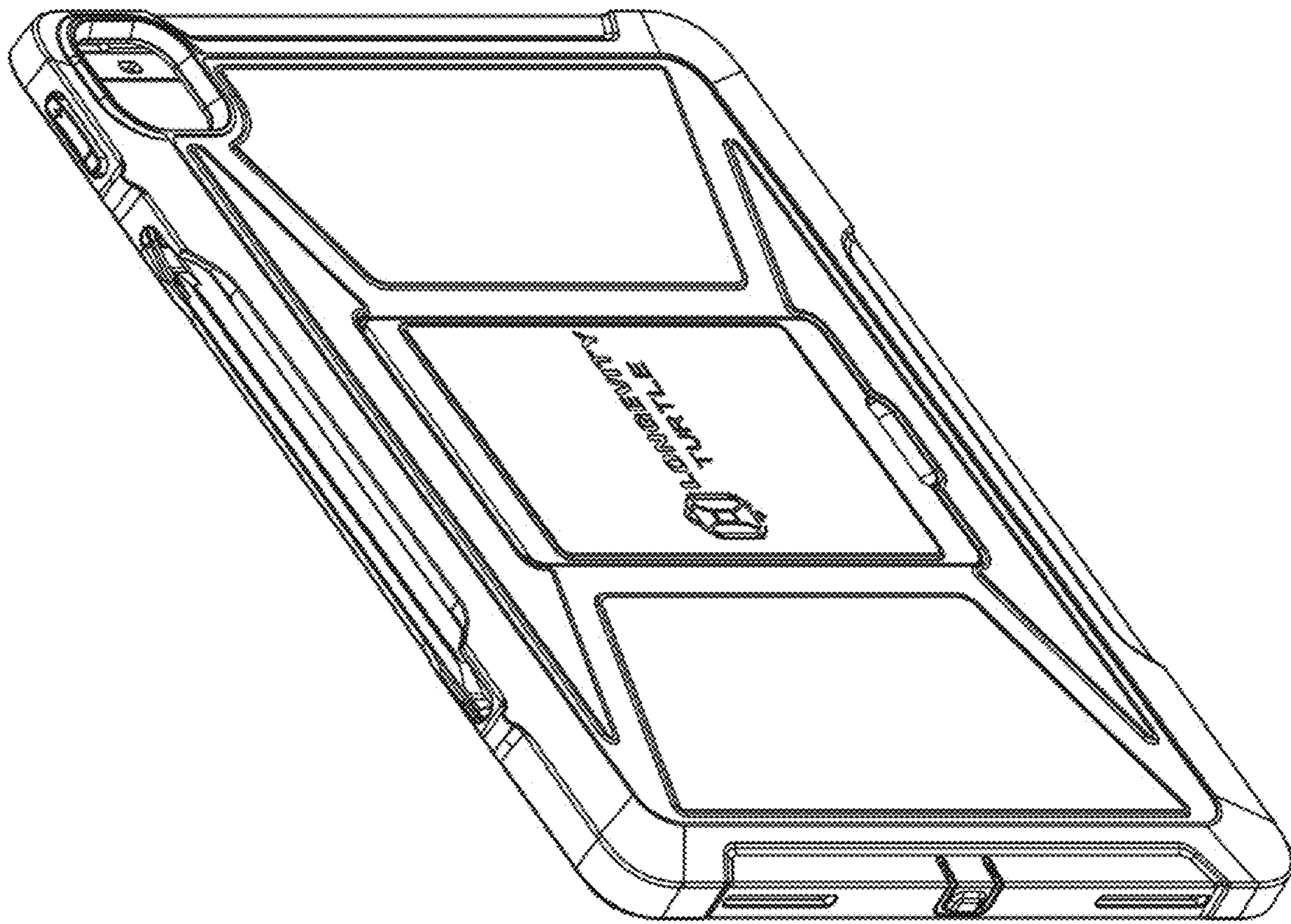


FIG 1

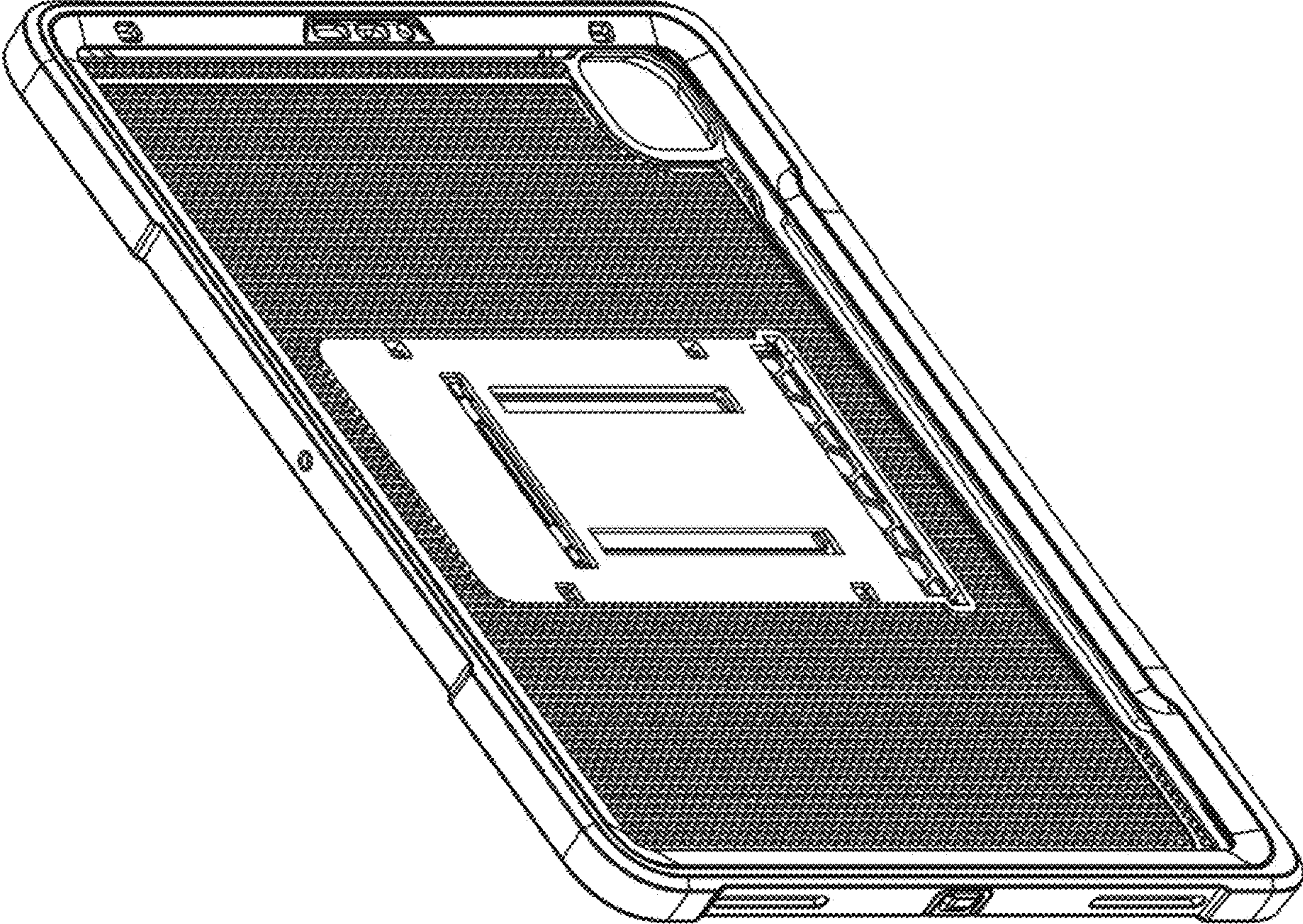


FIG 2

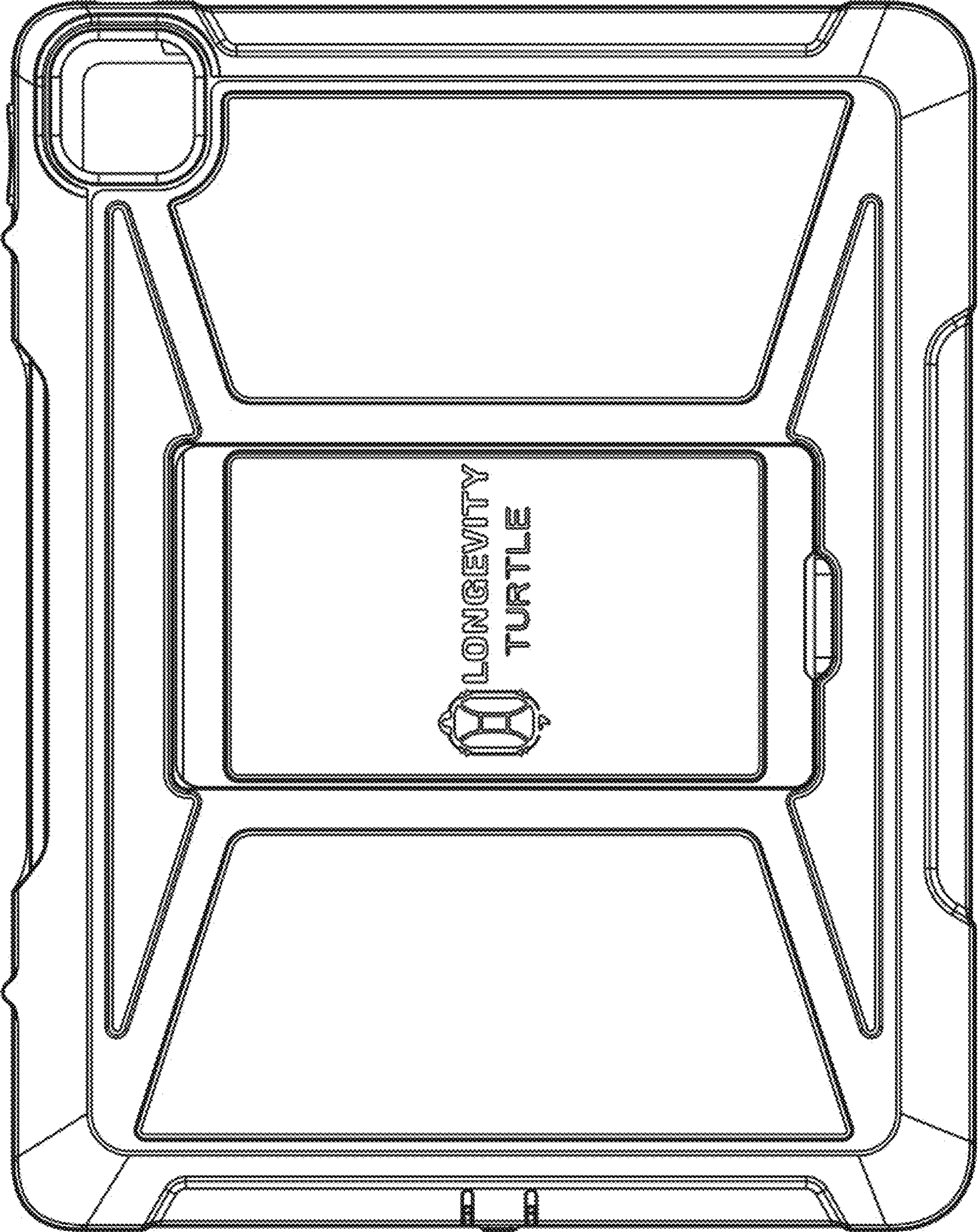


FIG 3

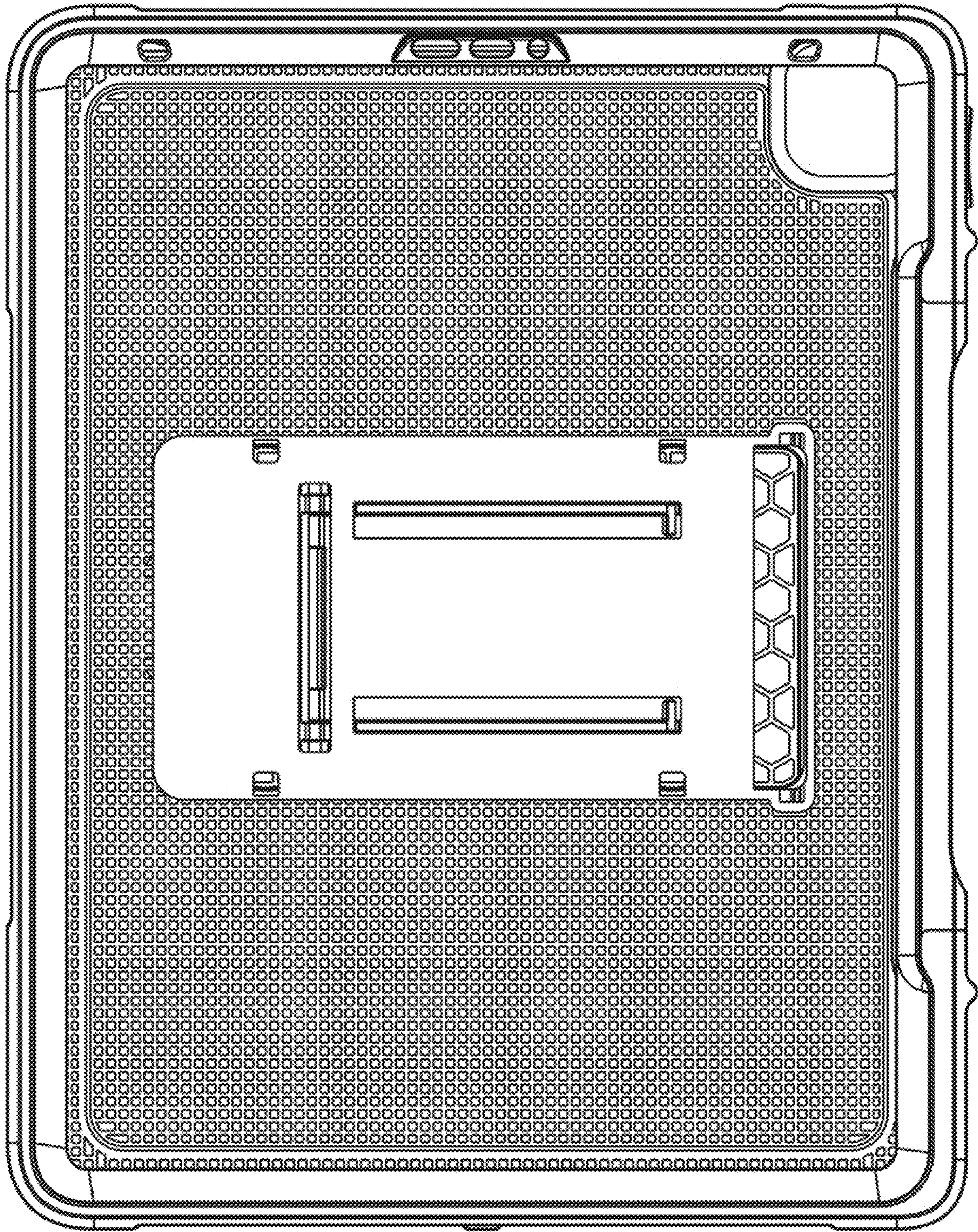


FIG 4



FIG 5

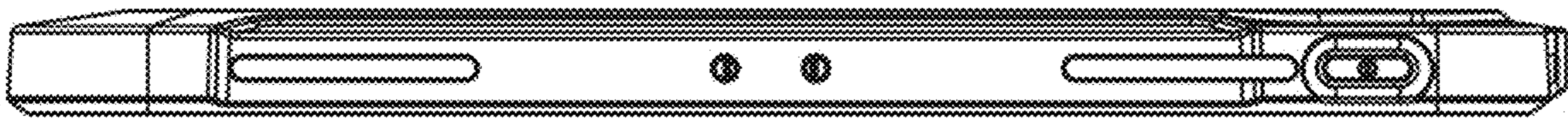


FIG 6

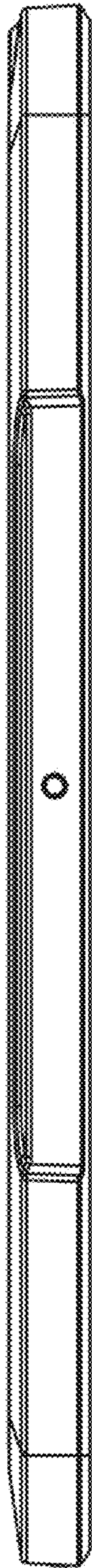


FIG 7

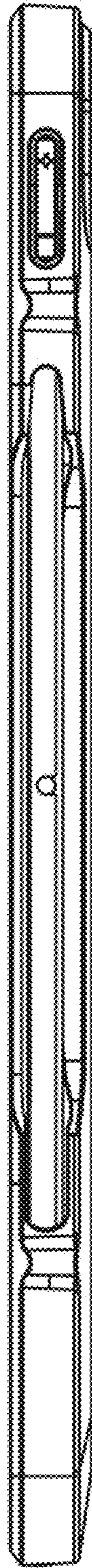


FIG 8