



US00D972568S

(12) **United States Design Patent**  
**Bell et al.**

(10) **Patent No.:** **US D972,568 S**  
(45) **Date of Patent:** **\*\* Dec. 13, 2022**

(54) **DUAL POLE AND PLATE CABLE HANGER INTERFACE**

(71) Applicant: **ConcealFab Corporation**, Colorado Springs, CO (US)

(72) Inventors: **Thomas Bell**, Colorado Springs, CO (US); **Steve Rogers**, Colorado Springs, CO (US); **Jacob Lovelady**, Colorado Springs, CO (US)

(73) Assignee: **ConcealFab, Inc.**, Colorado Springs, CO (US)

(\*\*) Term: **15 Years**

(21) Appl. No.: **29/810,606**

(22) Filed: **Oct. 6, 2021**

(51) **LOC (13) Cl.** ..... **14-02**

(52) **U.S. Cl.**  
USPC ..... **D14/433**

(58) **Field of Classification Search**  
USPC .... D8/19, 71, 349, 354, 355, 356, 382, 383, D8/394, 395, 396, 499; D13/133, 148, D13/149; D14/432, 433; 174/140 R; 248/68.1; 439/108, 411, 92  
CPC ..... F16G 11/00; F16G 11/02; F16G 11/103; F16G 11/046; F16G 11/048; F16G 11/105; F16L 33/12; F16L 33/08; F16L 33/02; H02G 3/30; H02G 7/06; A62C 13/78; A47K 10/14; A47G 25/0657; A47G 1/21

See application file for complete search history.

(56) **References Cited**

**U.S. PATENT DOCUMENTS**

4,667,723 A \* 5/1987 Spangenberg ..... E06B 9/324 160/178.2  
5,794,897 A 8/1998 Jobin et al.  
6,354,543 B1 3/2002 Paske

6,443,402 B1 9/2002 Ferrill et al.  
D494,448 S \* 8/2004 Perri ..... D8/356  
6,899,305 B2 5/2005 Korczak et al.  
D538,137 S \* 3/2007 Dukes ..... D8/367  
D565,389 S \* 4/2008 Harmon ..... D8/356  
D597,402 S \* 8/2009 Garza ..... D8/380  
D633,378 S \* 3/2011 Chan ..... D8/383  
8,011,621 B2 9/2011 Korczak  
8,439,316 B2 5/2013 Feige  
9,086,175 B2 7/2015 Feige  
D765,494 S \* 9/2016 Chan ..... D8/356  
9,853,434 B2 12/2017 Vaccaro  
9,866,004 B2 1/2018 Vaccaro

(Continued)

**OTHER PUBLICATIONS**

SitePro1 a Valmont Company (website), [https://www.sitepro1.com/store/cart.php?m=product\\_list&c=1](https://www.sitepro1.com/store/cart.php?m=product_list&c=1), Oct. 21, 2006.

(Continued)

*Primary Examiner* — Austin Murphy

(74) *Attorney, Agent, or Firm* — Mehrman Law Office; Michael J. Mehrman

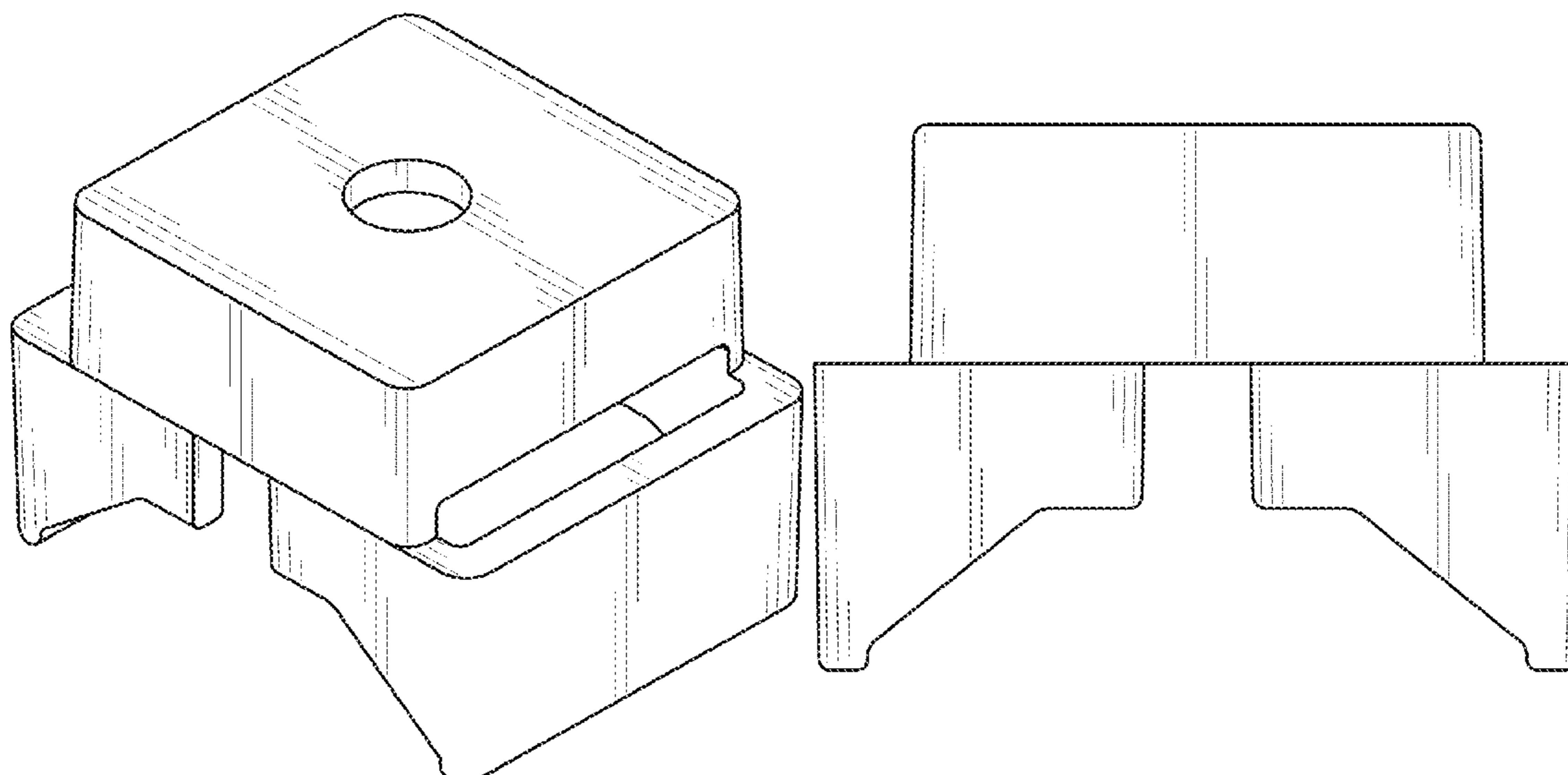
(57) **CLAIM**

The ornamental design for a dual pole and plate cable hanger interface, shown and described herein.

**DESCRIPTION**

FIG. 1 is a top, side perspective view of a dual pole and plate cable hanger interface, showing the new design; FIG. 2 is a top view thereof; FIG. 3 is a side elevational view thereof; FIG. 4 is a front elevational view thereof; FIG. 5 is a top, side perspective view of an alternative embodiment thereof; and, FIG. 6 is a top view of the alternative embodiment. The broken line portion of the figure drawings is included to show portions of the article that form no part of the claimed design.

**1 Claim, 6 Drawing Sheets**



(56)

**References Cited**

U.S. PATENT DOCUMENTS

9,903,510 B2 2/2018 Joshi et al.  
9,995,414 B2 6/2018 Joshi et al.  
10,158,218 B2 12/2018 Vaccaro et al.  
10,243,339 B2 3/2019 Vaccaro et al.  
10,253,906 B2 4/2019 Vaccaro  
10,422,446 B2 9/2019 Joshi et al.  
D879,783 S \* 3/2020 Bell ..... D8/356  
D879,786 S \* 3/2020 Bell ..... D8/356  
D890,182 S \* 7/2020 Bell ..... D8/356  
D897,191 S \* 9/2020 Bell ..... D8/356  
D908,098 S \* 1/2021 Kim ..... D13/133  
D938,953 S \* 12/2021 Nedelea ..... D14/433  
2002/0066833 A1 6/2002 Ferrill et al.  
2009/0294602 A1 12/2009 Korczak  
2014/0086704 A1 3/2014 Hemingway et al.

OTHER PUBLICATIONS

Petrilla Technologies, LLC (website), <https://petrillatechnologies.com/support-accessories.html>, Mar. 24, 2017.  
CommScope (website), [https://www.commscope.com/catalog/tools\\_accessories/product.aspx?id=46](https://www.commscope.com/catalog/tools_accessories/product.aspx?id=46), Oct. 28, 2012.  
FIMO, "Product Data Sheet, BAP 10, Plastic Socle for BFI 10 Threaded Bars" Apr. 13, 2016 (and associated photograph).

\* cited by examiner

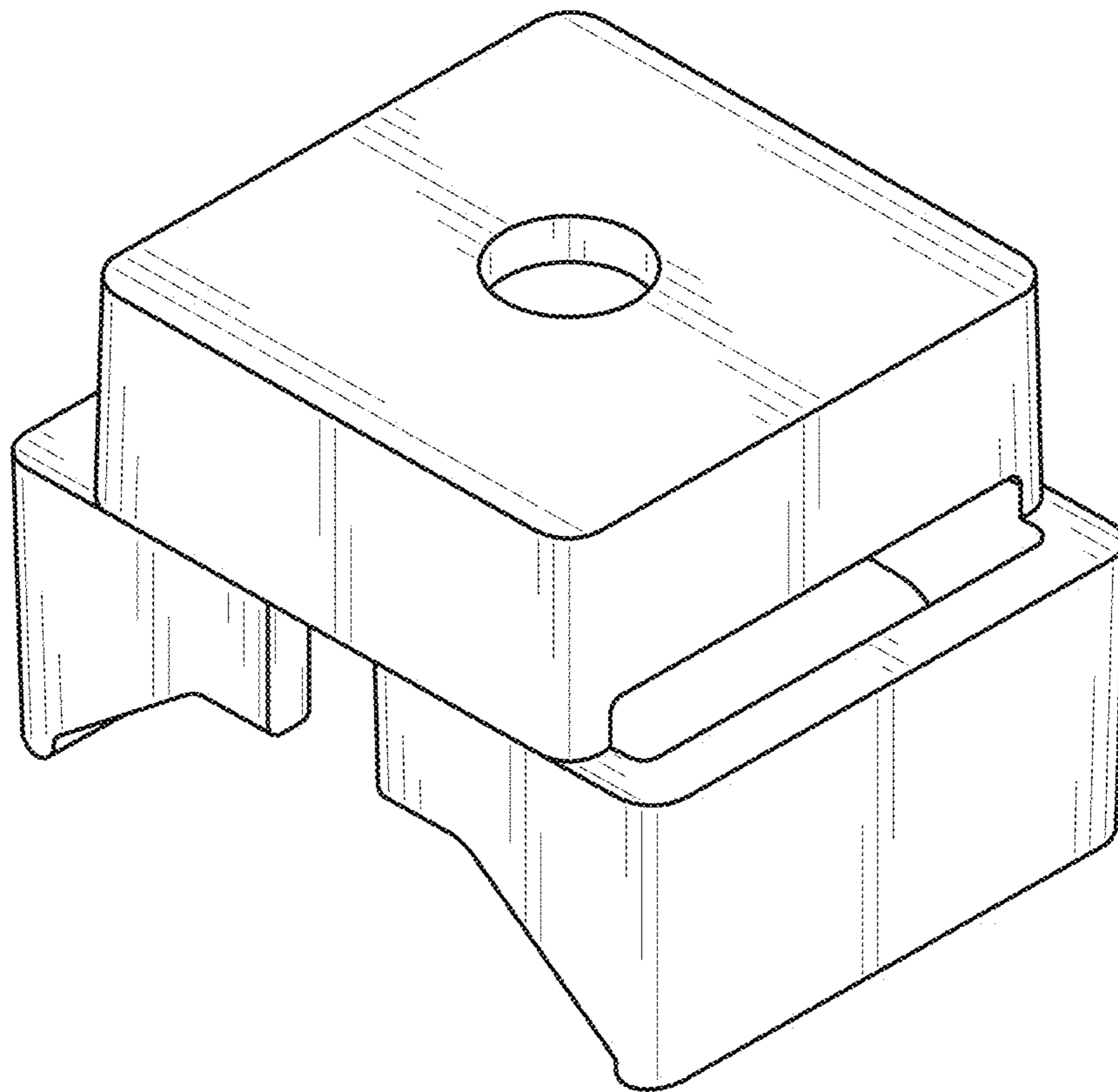


FIG. 1

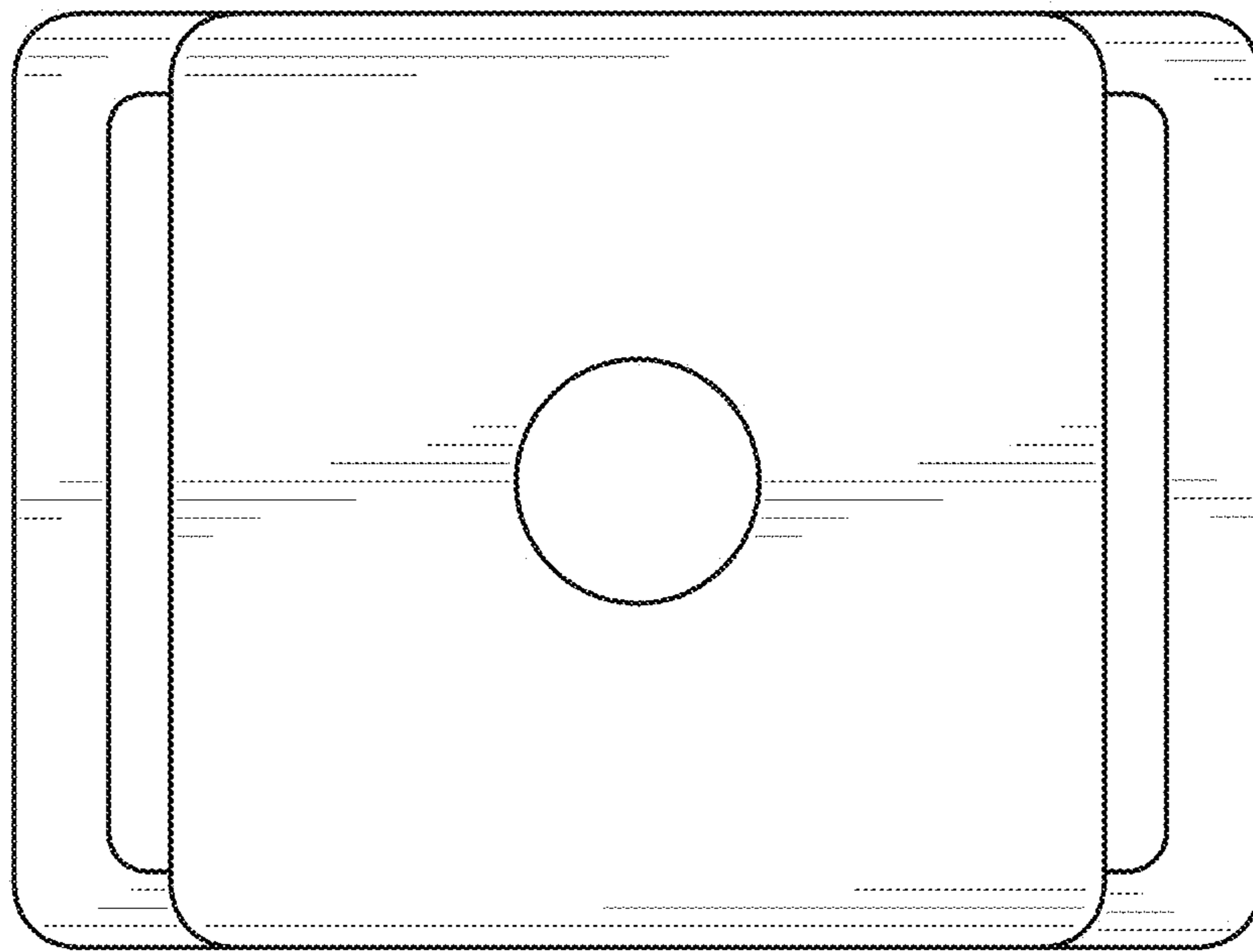


FIG. 2

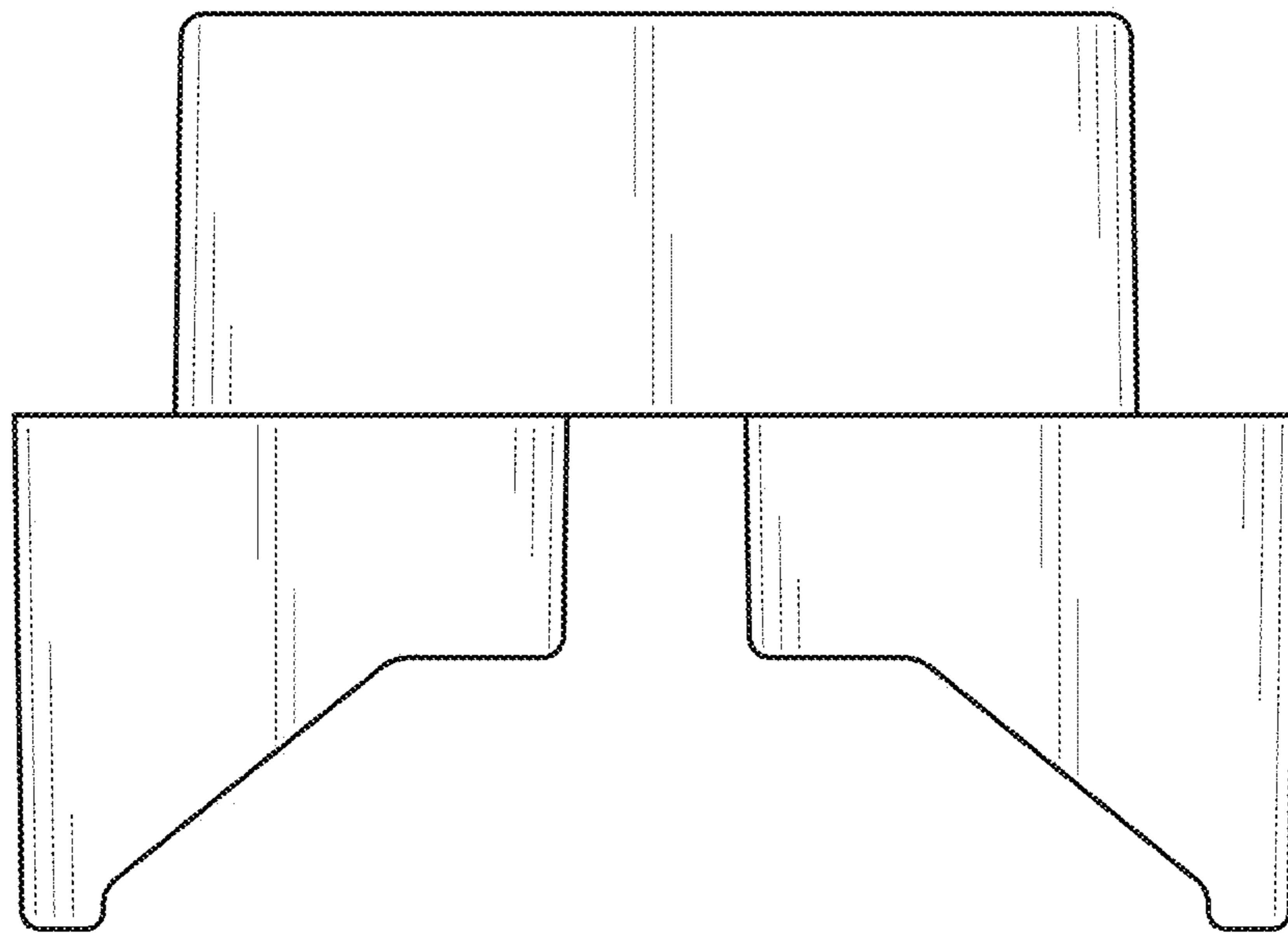


FIG. 3

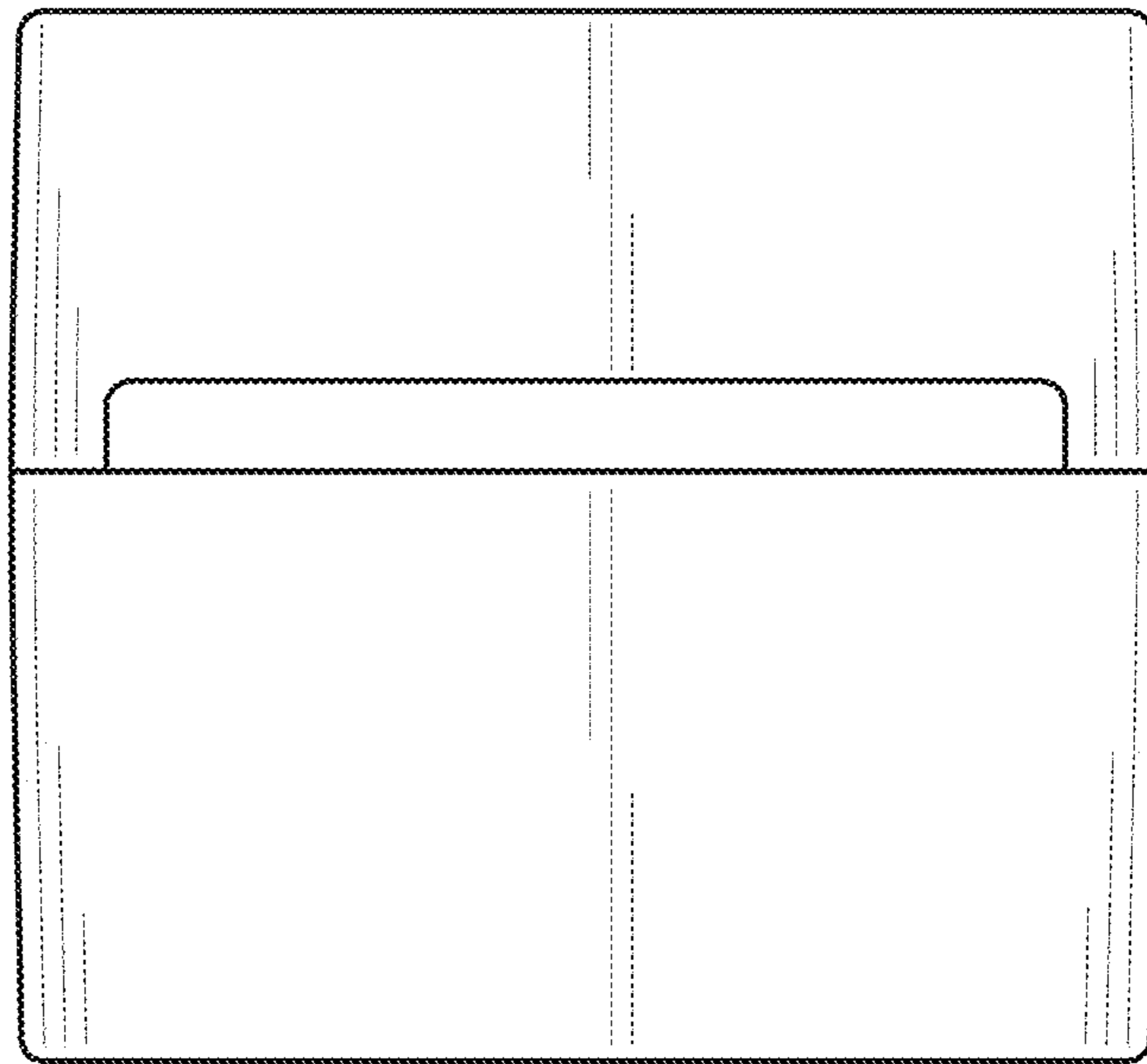


FIG. 4

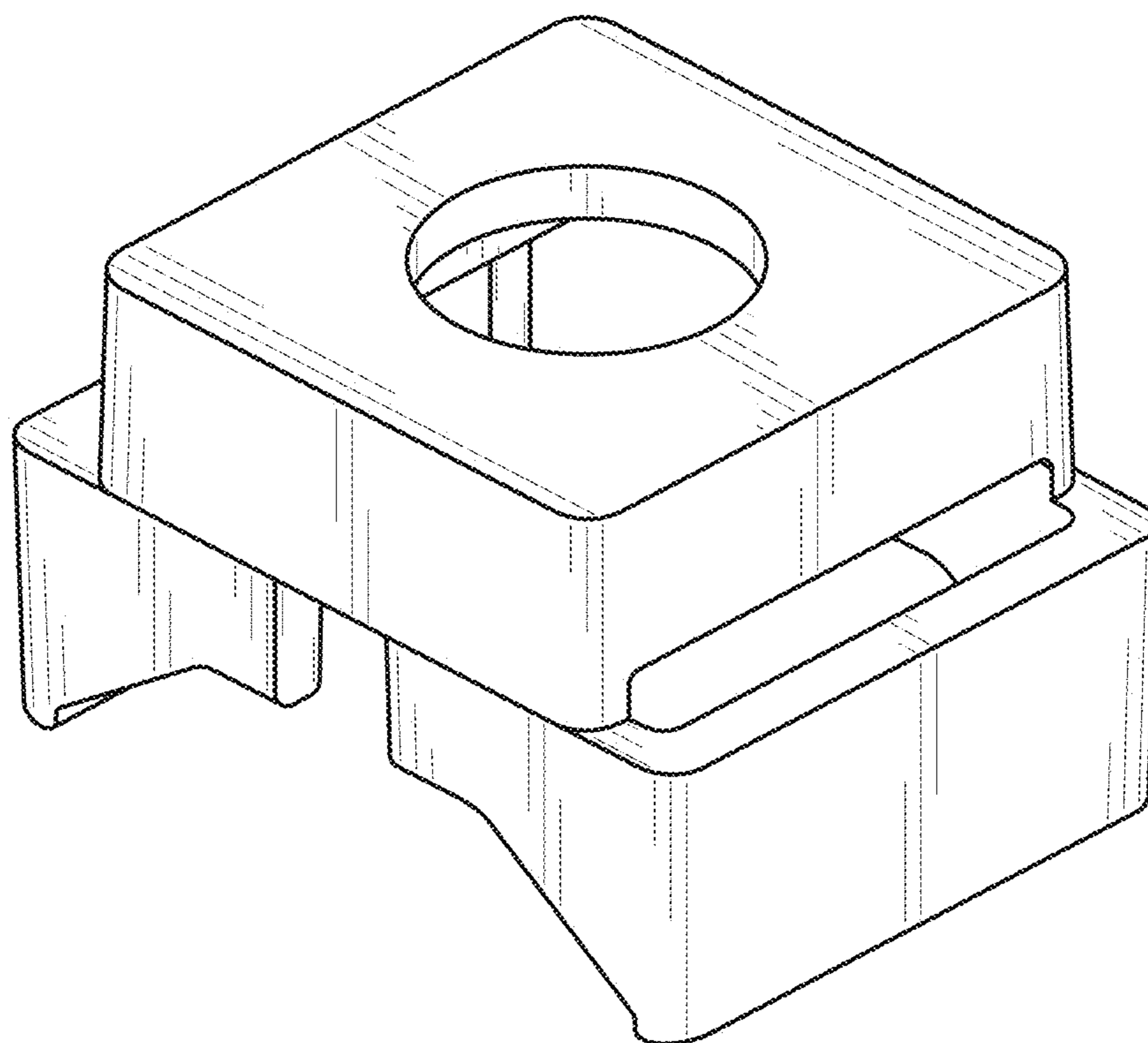


FIG. 5

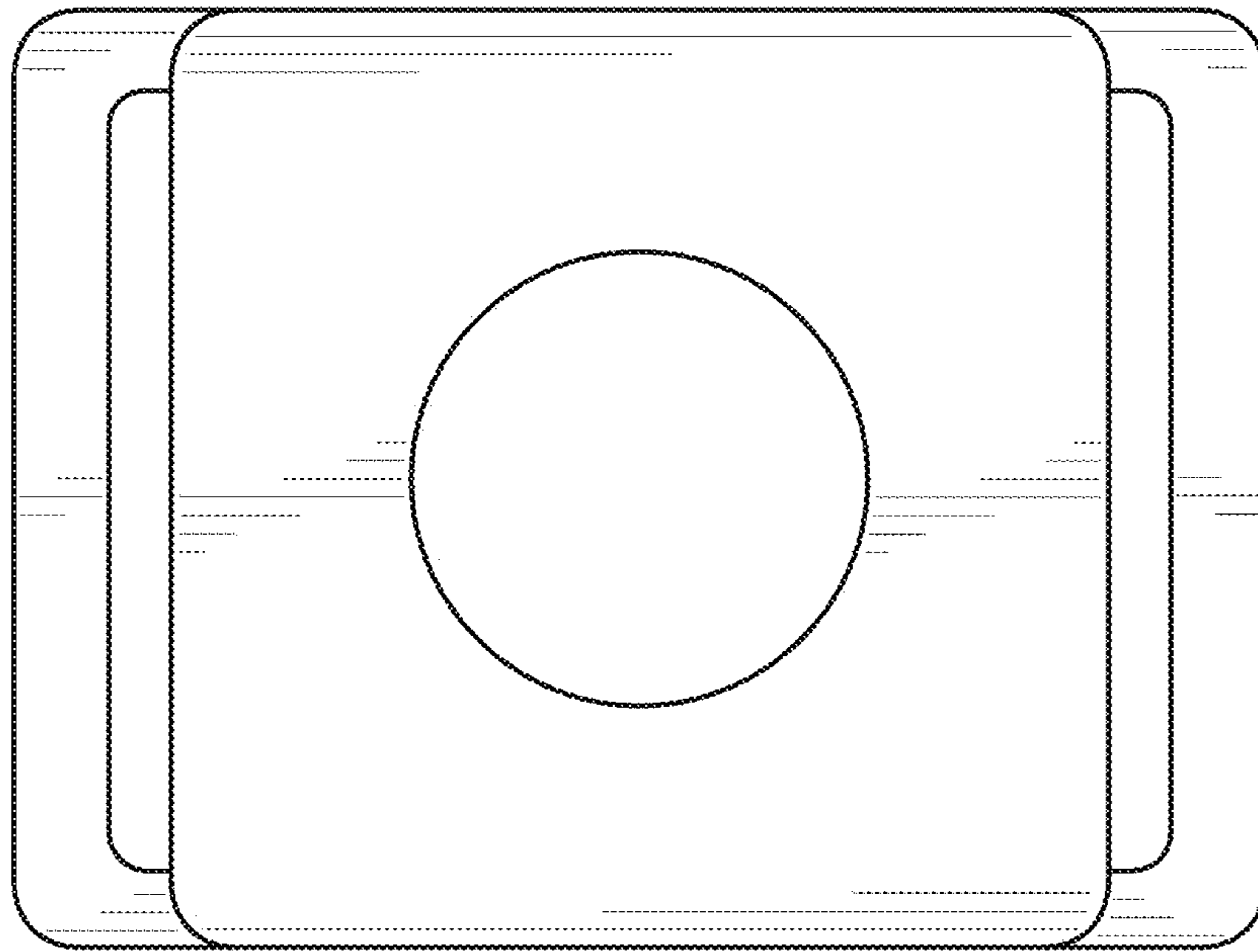


FIG. 6