



US00D972566S

(12) **United States Design Patent**
Brandt

(10) **Patent No.:** **US D972,566 S**

(45) **Date of Patent:** **** Dec. 13, 2022**

(54) **CAPSULE**

(71) Applicant: **Hand Held Products, Inc.**, Fort Mill,
SC (US)

(72) Inventor: **Dustin Brandt**, Phoenix, AZ (US)

(73) Assignee: **HAND HELD PRODUCTS, INC.**,
Fort Mill, SC (US)

(**) Term: **15 Years**

(21) Appl. No.: **29/772,163**

(22) Filed: **Feb. 26, 2021**

(51) **LOC (13) Cl.** **14-02**

(52) **U.S. Cl.**
USPC **D14/432**

(58) **Field of Classification Search**
USPC D14/356, 432-434, 453, 454, 511, 203.8,
D14/209.1, 238.1, 240, 125, 435.1;
439/638, 928, 105, 502; 710/303, 304,
710/305; 361/679.41, 679.55, 679.56;
D13/110, 133, 146, 108; 320/111
CPC G06K 19/005; G06K 19/07732; H05K
5/0278; G09F 23/10
See application file for complete search history.

(56) **References Cited**

U.S. PATENT DOCUMENTS

- D255,836 S * 7/1980 Weissenburger D24/224
- D292,528 S * 10/1987 Weissenburger D24/224
- D319,875 S * 9/1991 Lackey D24/217
- D338,317 S * 8/1993 Woodward D99/28
- D454,376 S * 3/2002 Bezalel D21/398

- D498,839 S * 11/2004 Yoshida D24/104
- D594,132 S * 6/2009 Cheetham D24/224
- D657,876 S * 4/2012 Peuker D24/176
- D658,763 S * 5/2012 Peuker D24/176
- D750,935 S * 3/2016 Cook D7/400
- D800,316 S * 10/2017 Evers D24/176
- D804,319 S * 12/2017 Galekovic D9/553
- D809,346 S * 2/2018 Rigbi D7/591
- D815,918 S * 4/2018 Rigbi D7/591
- D817,719 S * 5/2018 Rigbi D7/591
- D844,233 S * 3/2019 Yamada D27/167
- D898,742 S * 10/2020 Kay D14/432
- D907,488 S * 1/2021 Balitzkat D9/438
- D925,977 S * 7/2021 Lee D7/400

* cited by examiner

Primary Examiner — Austin Murphy

(74) *Attorney, Agent, or Firm* — Alston & Bird LLP

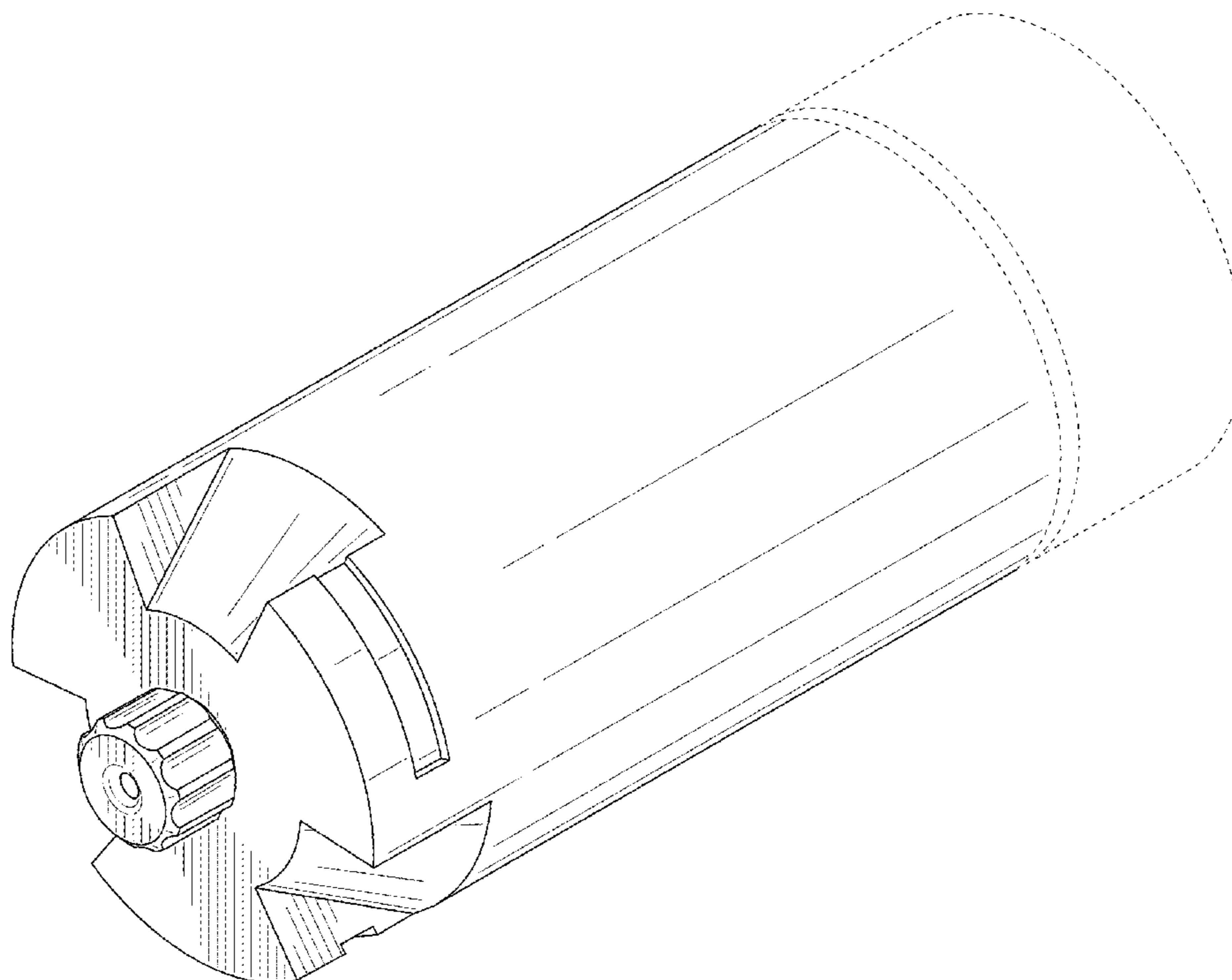
(57) **CLAIM**

I claim the ornamental design for a capsule, as shown and described.

DESCRIPTION

FIG. 1 is a first perspective view of a capsule showing the new design;
 FIG. 2 is a top plan view thereof;
 FIG. 3 is a left side elevation view thereof;
 FIG. 4 is a bottom plan view thereof;
 FIG. 5 is a right side elevation view thereof;
 FIG. 6 is a front elevation view thereof; and,
 FIG. 7 is a rear elevation view thereof.
 The broken lines illustrate portions of the capsule that form no part of the claimed design.

1 Claim, 6 Drawing Sheets



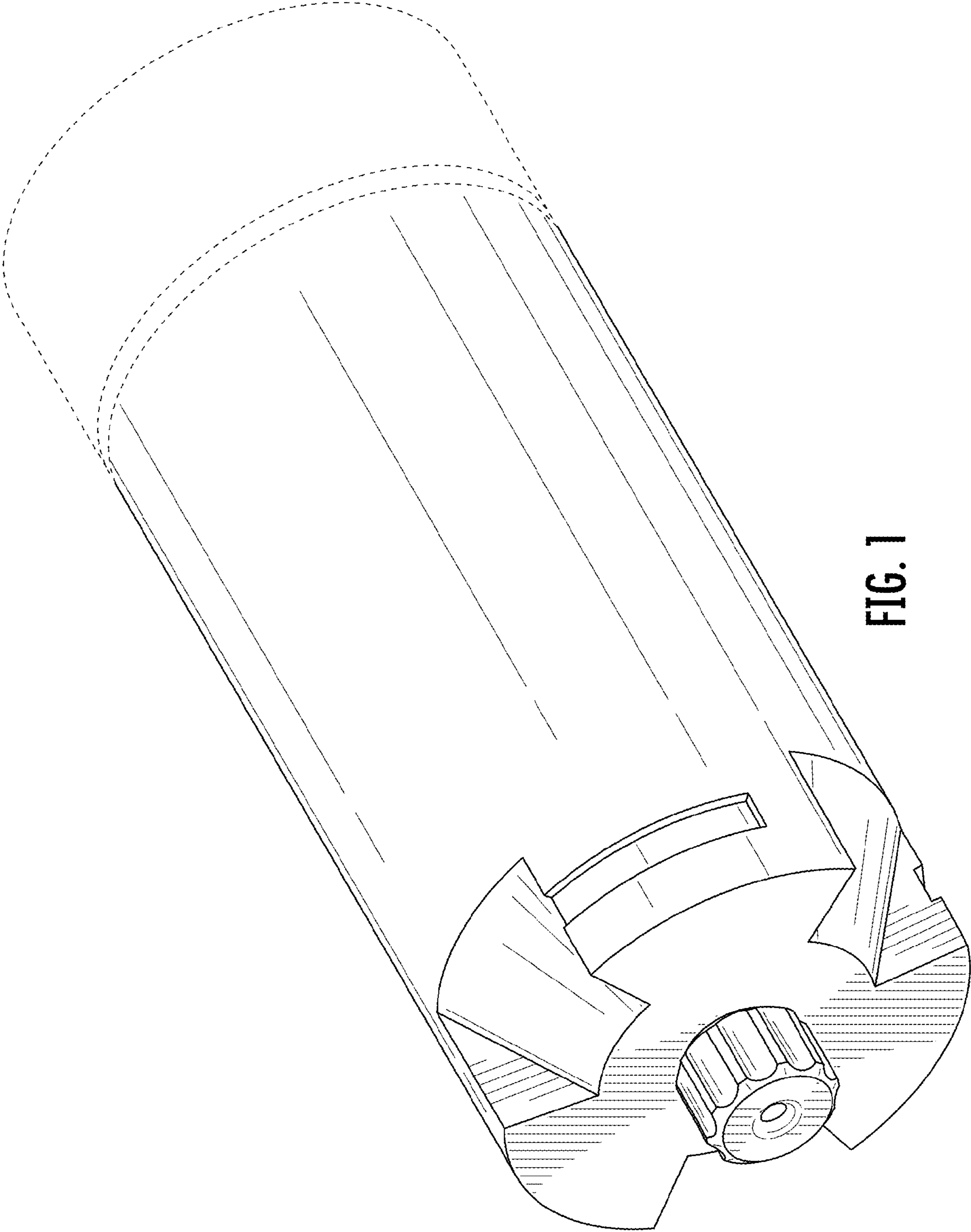


FIG. 1

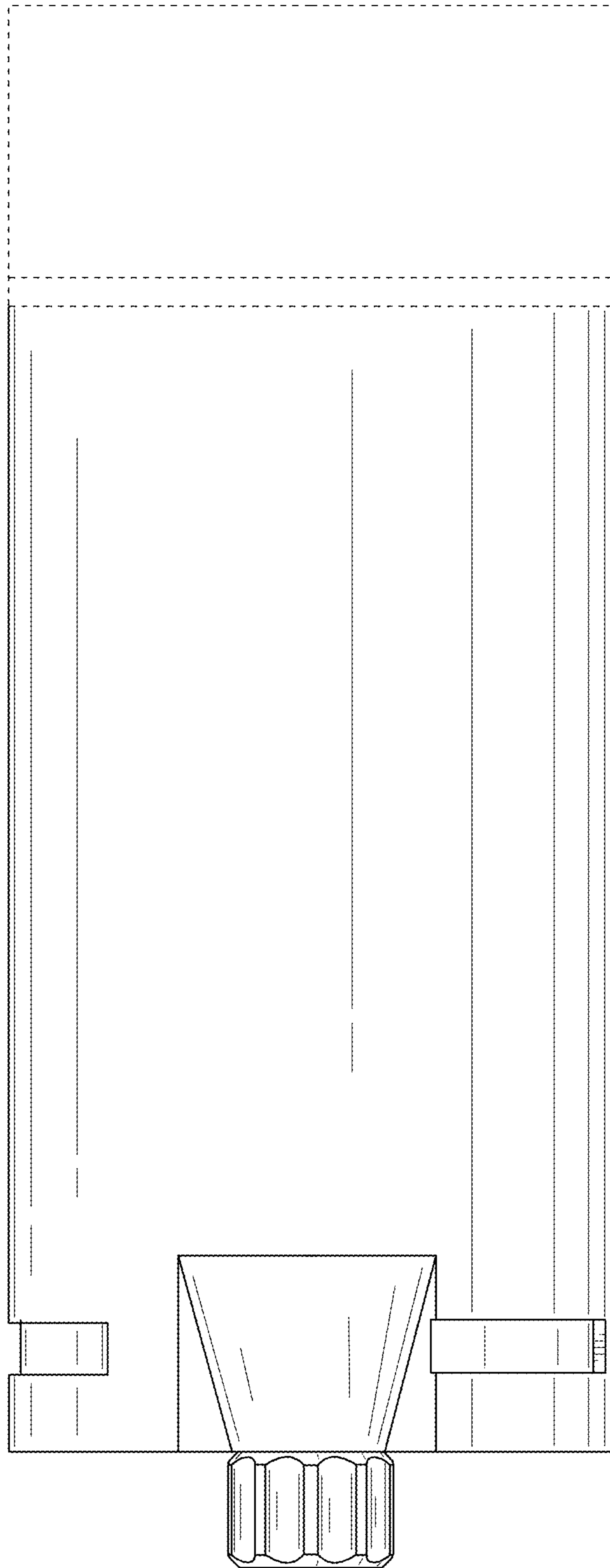


FIG. 2

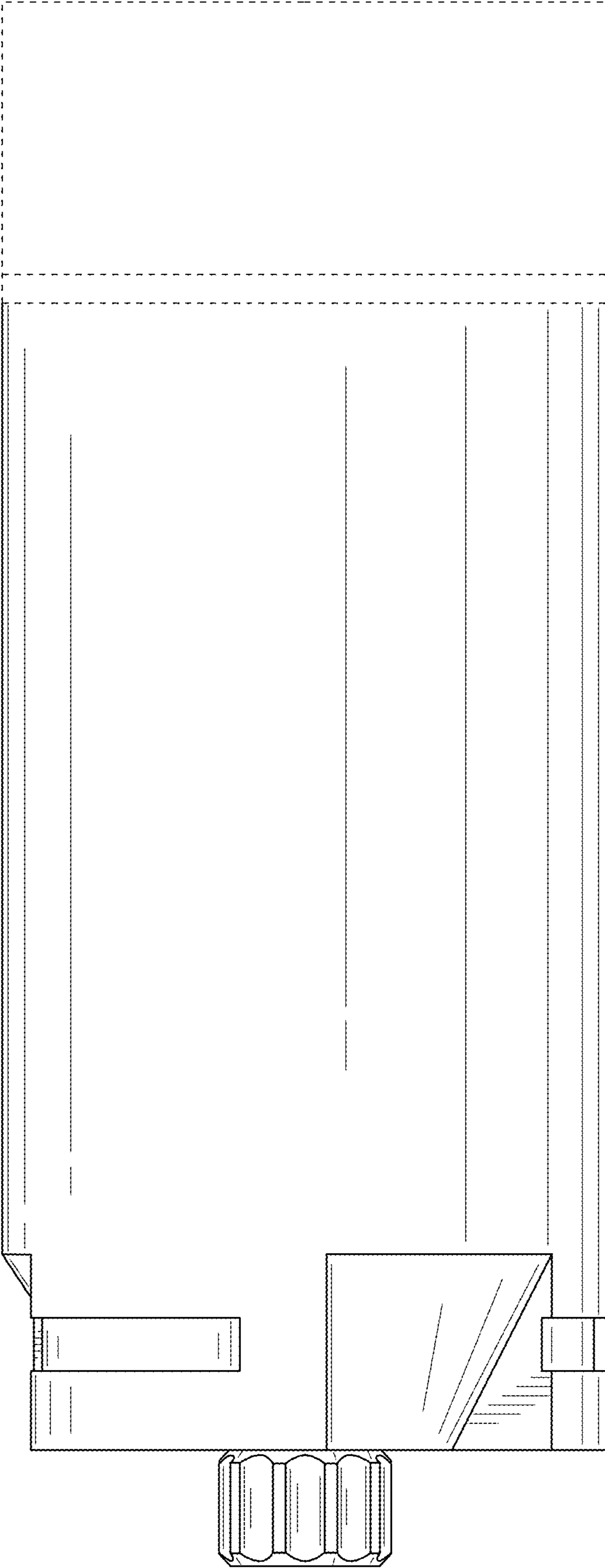


FIG. 3

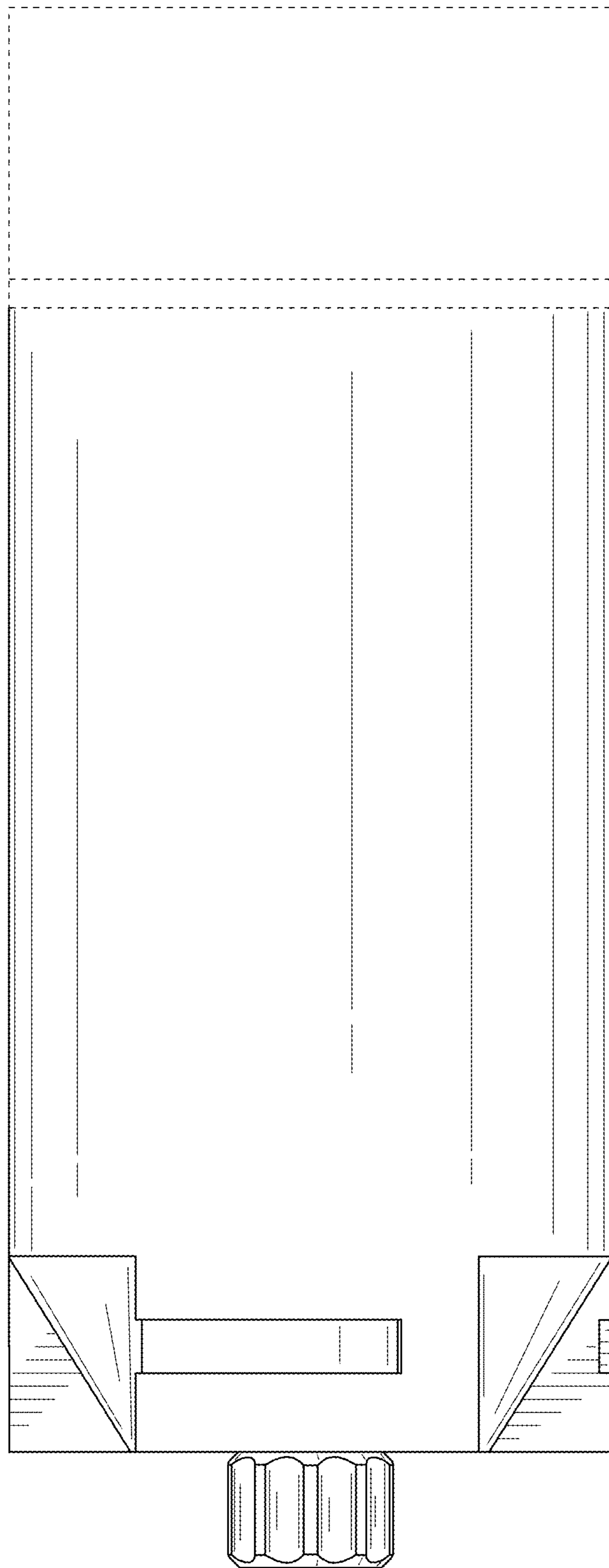


FIG. 4

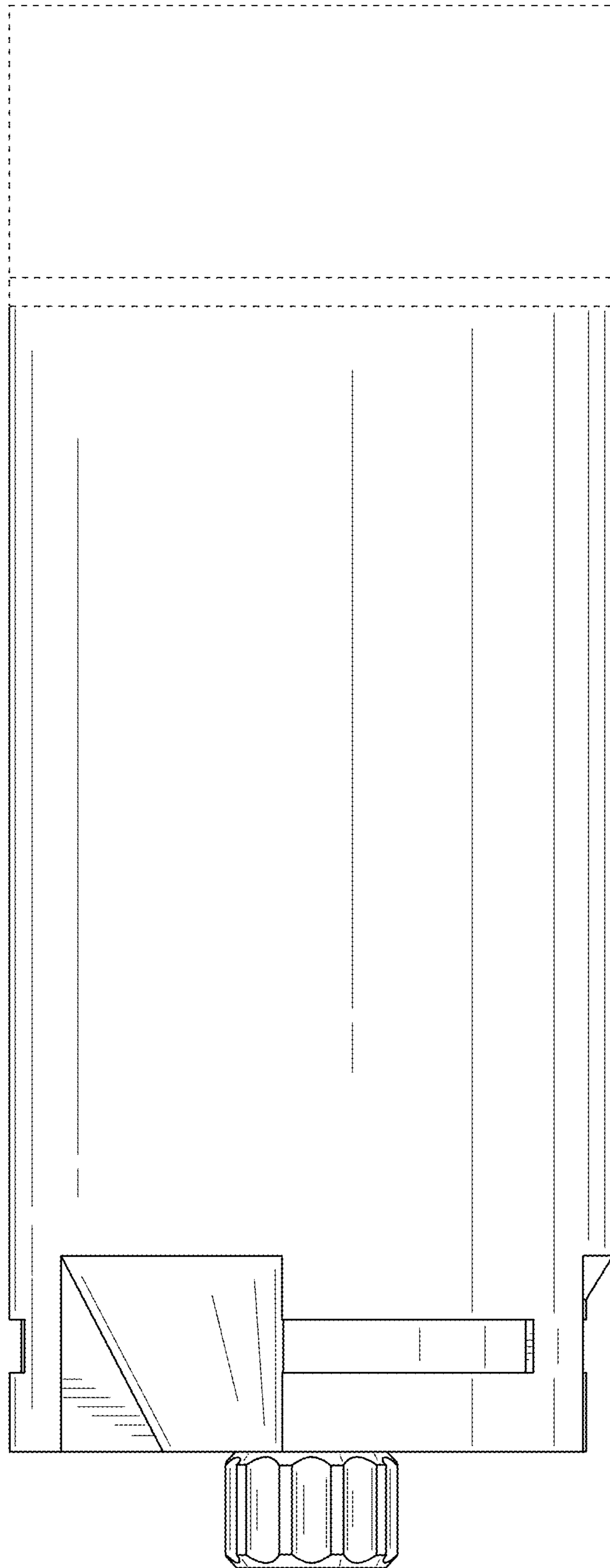


FIG. 5

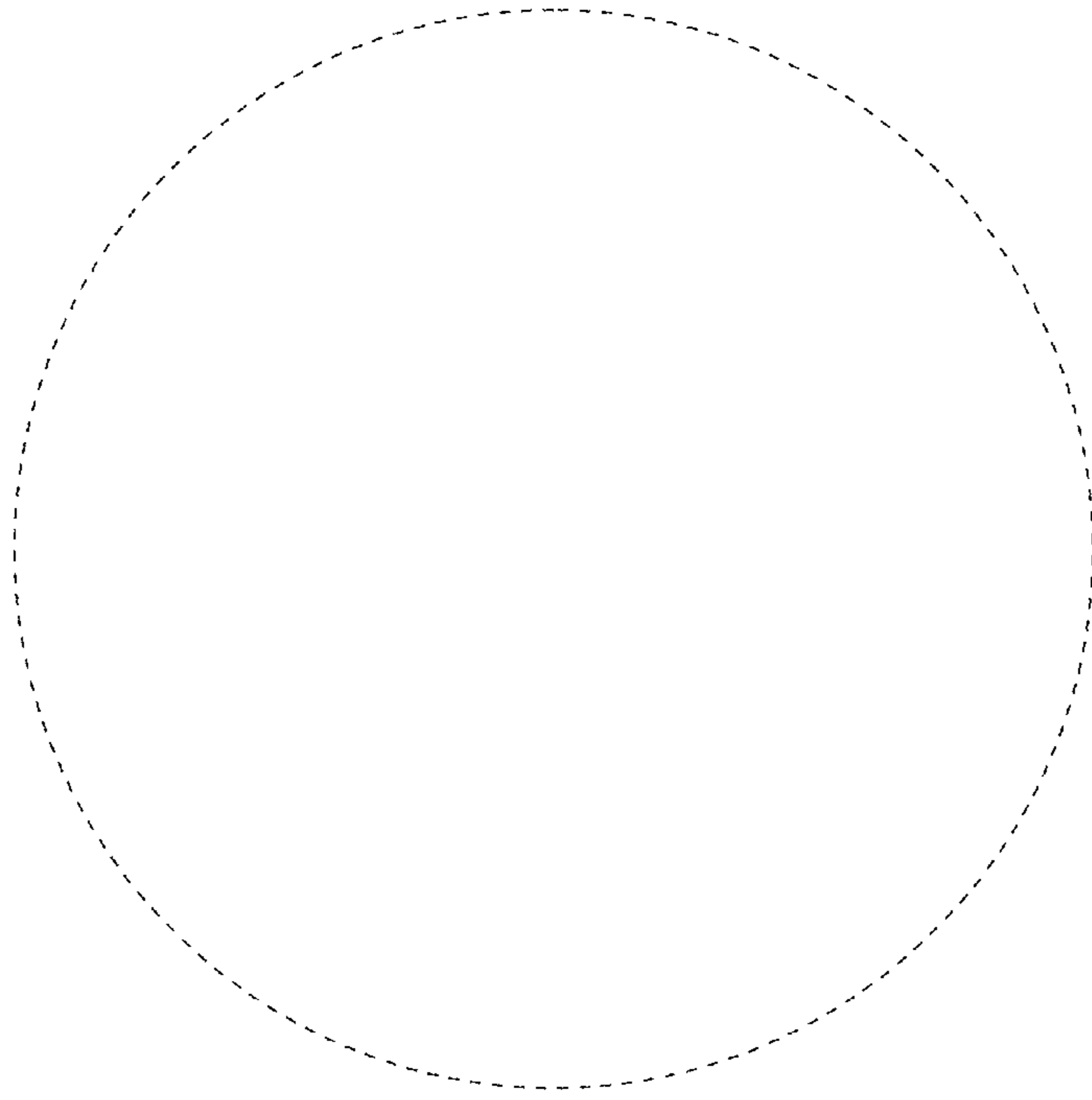


FIG. 7

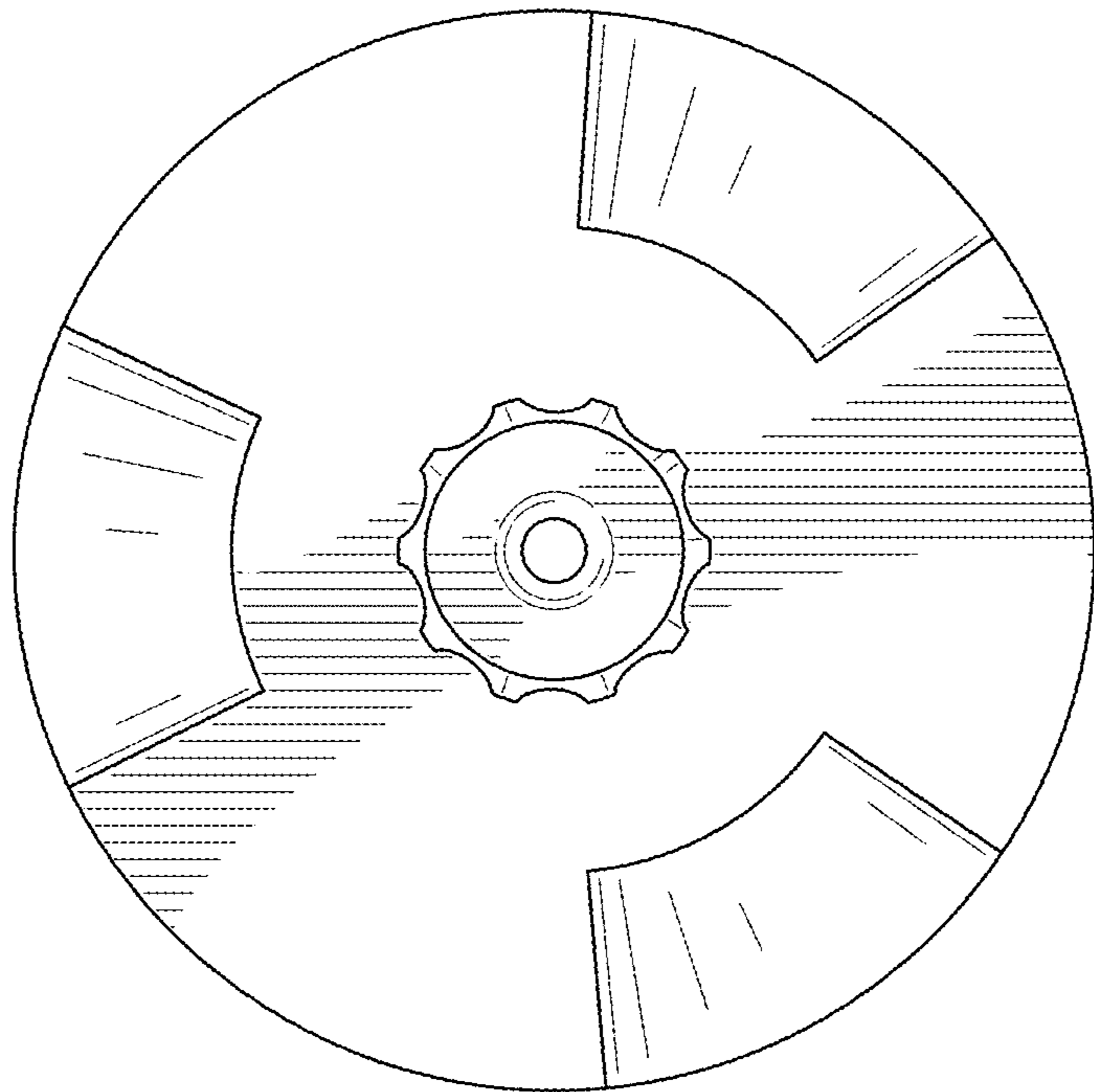


FIG. 6