



US00D972564S

(12) **United States Design Patent** (10) **Patent No.:** **US D972,564 S**  
**Wu** (45) **Date of Patent:** **\*\* Dec. 13, 2022**

(54) **STYLUS**  
(71) Applicant: **Yuka Wu**, Lianping County (CN)  
(72) Inventor: **Yuka Wu**, Lianping County (CN)  
(\*\*) Term: **15 Years**  
(21) Appl. No.: **29/791,219**  
(22) Filed: **Jan. 5, 2022**  
(51) **LOC (13) Cl.** ..... **14-02**  
(52) **U.S. Cl.**  
USPC ..... **D14/411**  
(58) **Field of Classification Search**  
USPC ..... D14/125, 126, 129, 264, 299, 371, 372,  
D14/411, 432, 496; D19/172;  
D16/300-342; 351/144, 153, 158;  
345/7-9, 905; 455/344; 348/53, 115,  
348/121, 739  
CPC ..... G02B 27/017; G06F 3/016; G06F 3/033;  
G06F 3/03545; G06F 3/041; G06K 9/222  
See application file for complete search history.

(56) **References Cited**  
U.S. PATENT DOCUMENTS  
D670,700 S \* 11/2012 Halsinger ..... D14/411  
D709,949 S 7/2014 Fleming  
D772,875 S 11/2016 Kim et al.  
D835,106 S \* 12/2018 Hsu ..... D14/411

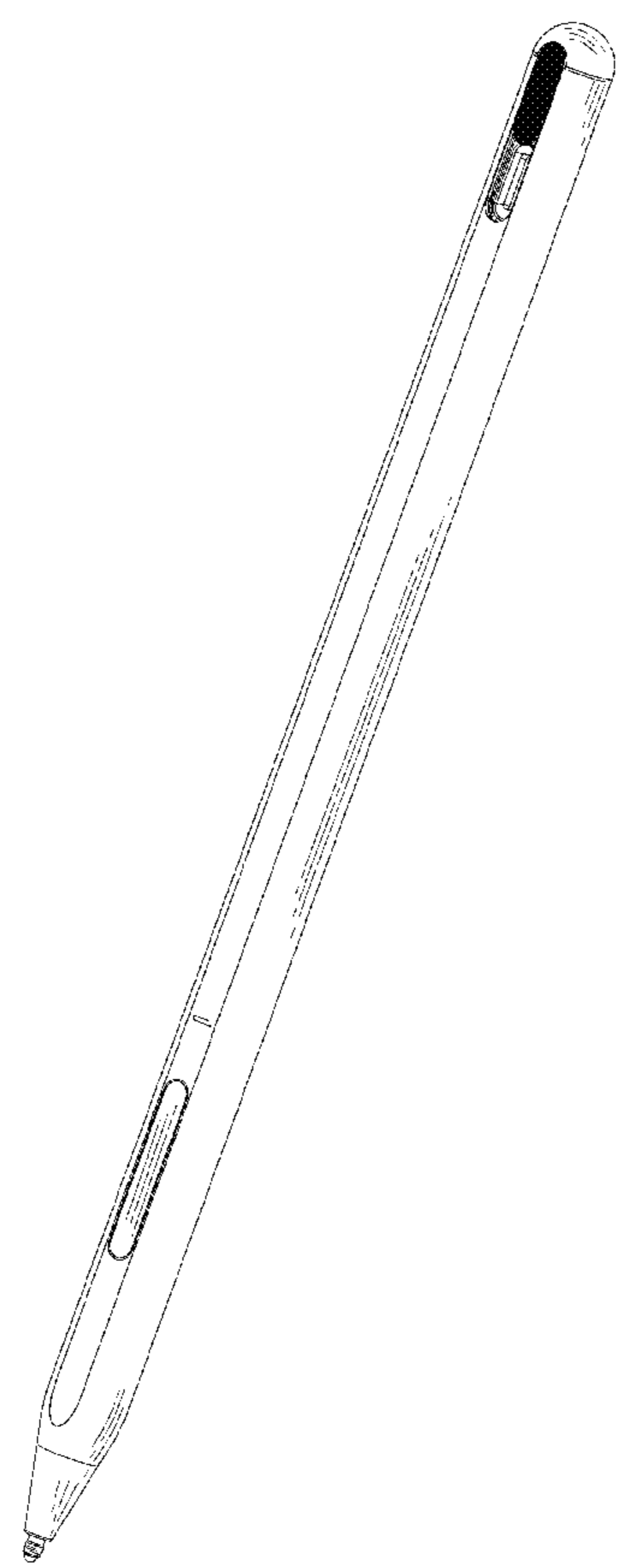
D848,426 S \* 5/2019 Nishizawa ..... D14/411  
D894,909 S \* 9/2020 Zhou ..... D14/480.7  
D908,703 S \* 1/2021 Huang ..... D14/411  
D911,341 S \* 2/2021 Nishizawa ..... D14/411  
D917,485 S \* 4/2021 Huang ..... D14/411  
D936,652 S \* 11/2021 Cen ..... D14/411  
D936,653 S \* 11/2021 Huang ..... D14/411  
D943,583 S \* 2/2022 Mo ..... D14/411  
D944,799 S \* 3/2022 Huang ..... D14/411  
D944,800 S \* 3/2022 Huang ..... D14/411  
D944,801 S \* 3/2022 Huang ..... D14/411

\* cited by examiner  
*Primary Examiner* — Katie Jane Stofko

(57) **CLAIM**  
The ornamental design for a stylus, as shown and described.

**DESCRIPTION**  
FIG. 1 is a front and right side perspective view of a stylus, showing my new design;  
FIG. 2 is another front and right side perspective view thereof, in a use state;  
FIG. 3 is a front view thereof, in a use state;  
FIG. 4 is a front view thereof;  
FIG. 5 is a rear view thereof;  
FIG. 6 is a left side view thereof;  
FIG. 7 is a right side view thereof;  
FIG. 8 is a top plan view thereof;  
FIG. 9 is a bottom plan view thereof; and,  
FIG. 10 is an enlarged view taken from FIG. 4.

**1 Claim, 10 Drawing Sheets**



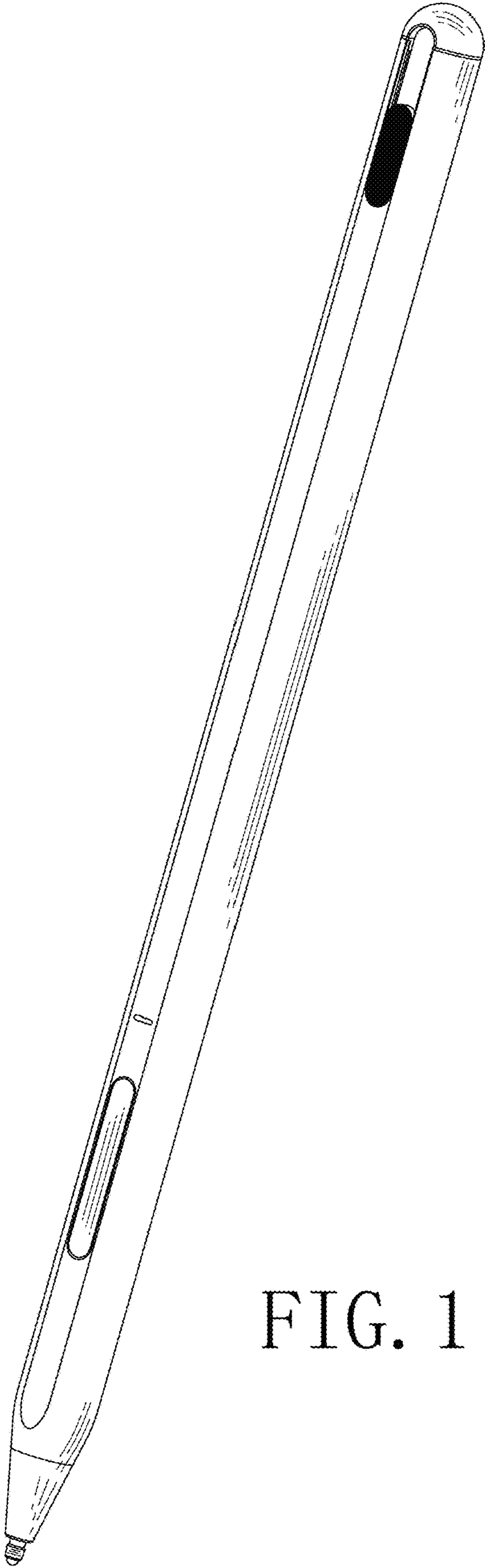


FIG. 1

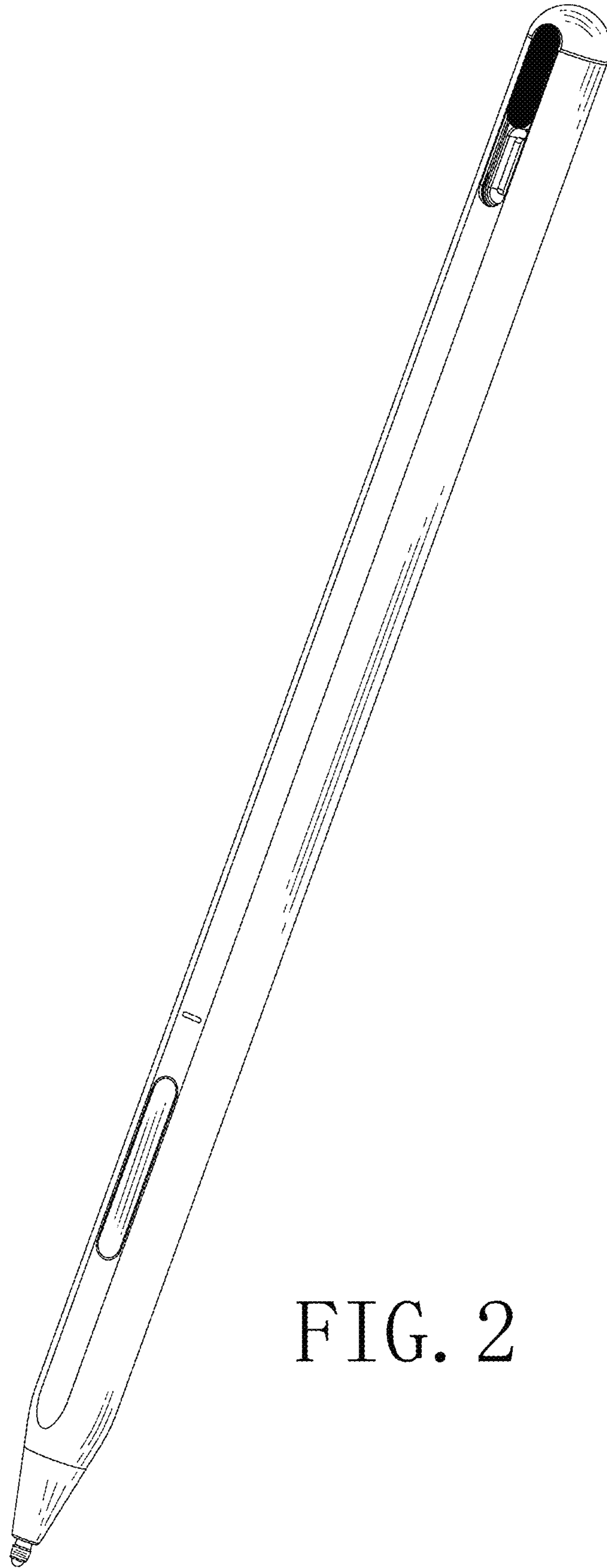


FIG. 2

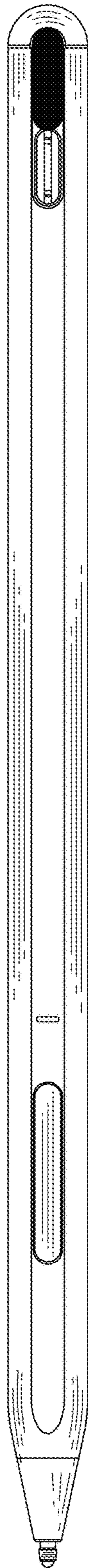


FIG. 3

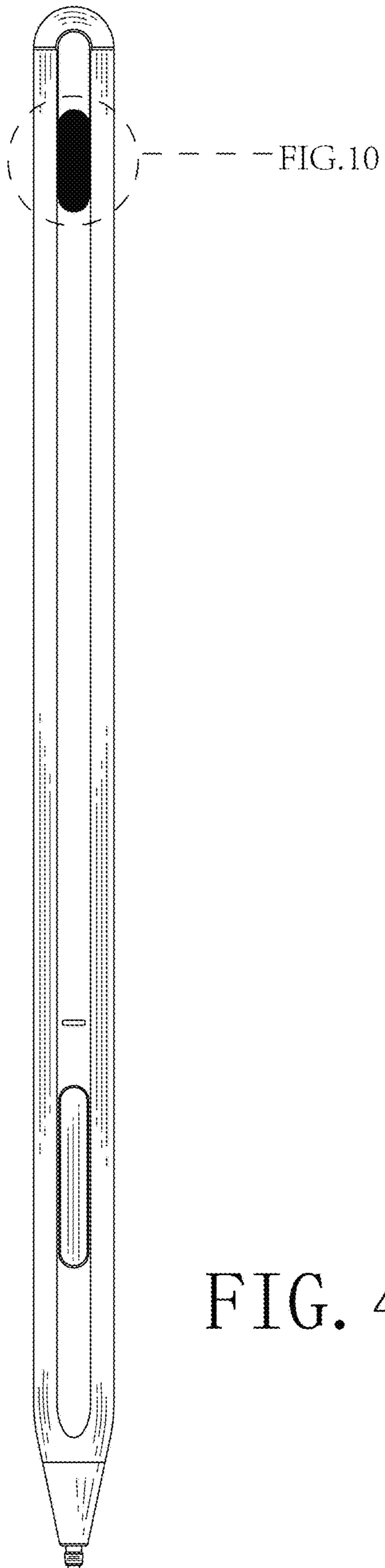


FIG. 4

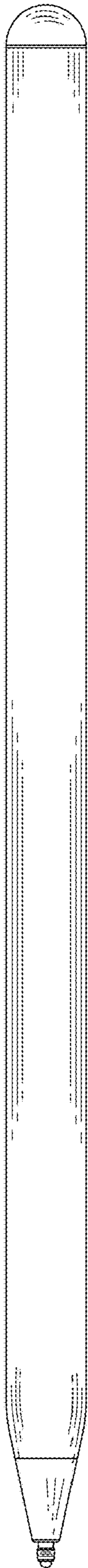


FIG. 5



FIG. 6



FIG. 7



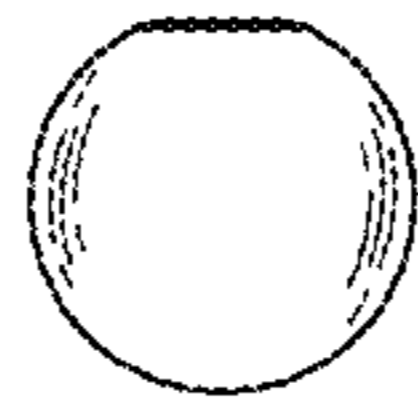


FIG. 8

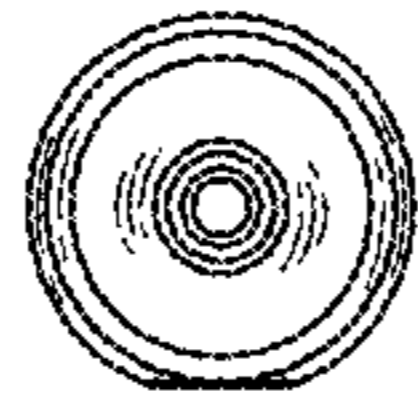


FIG. 9

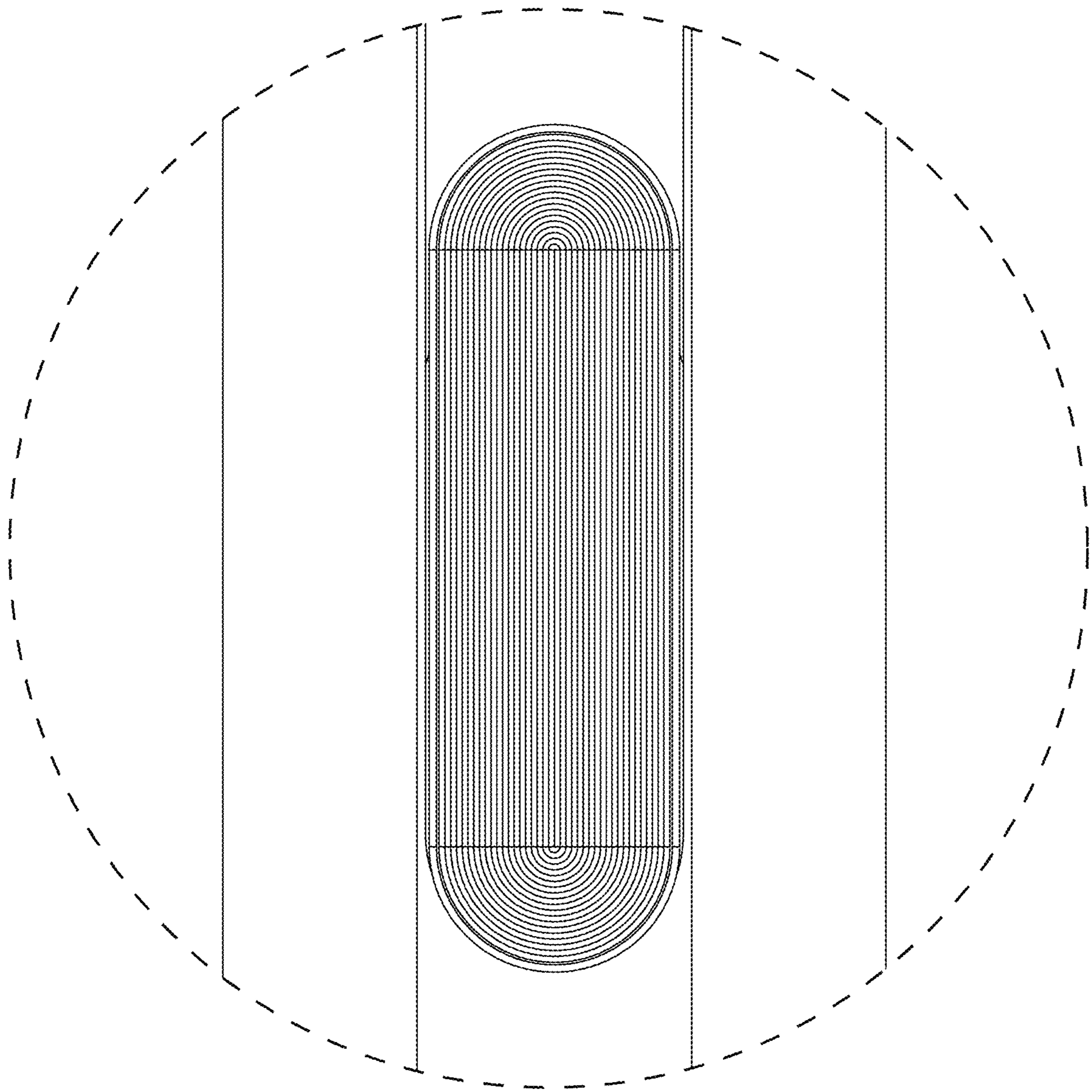


FIG. 10