



US00D972561S

(12) **United States Design Patent** (10) **Patent No.:** **US D972,561 S**
Lee et al. (45) **Date of Patent:** **** Dec. 13, 2022**

(54) **COMPUTER MOUSE**

(56) **References Cited**

(71) Applicant: **LG ELECTRONICS INC.**, Seoul (KR)

U.S. PATENT DOCUMENTS

(72) Inventors: **Heechang Lee**, Seoul (KR); **Daihyung Ryu**, Seoul (KR)

D643,429 S *	8/2011	Ferwerda	D14/407
D662,096 S *	6/2012	Yu	D14/407
D709,884 S *	7/2014	Shim	D14/407
D753,659 S *	4/2016	Schoeck	D14/407
D757,728 S *	5/2016	Schoeck	D14/407
D757,729 S *	5/2016	Schoeck	D14/407
D766,242 S *	9/2016	Moon	D14/407
D933,658 S *	10/2021	Chen	D14/407
D948,509 S *	4/2022	Cheng	D14/402

(73) Assignee: **LG ELECTRONICS INC.**, Seoul (KR)

(**) Term: **15 Years**

* cited by examiner

(21) Appl. No.: **35/512,994**

Primary Examiner — Austin Murphy

(22) Filed: **May 20, 2021**

(74) *Attorney, Agent, or Firm* — Birch, Stewart, Kolasch & Birch, LLP

(80) **Hague Agreement Data**

Int. Filing Date: **May 20, 2021**

Int. Reg. No.: **DM/214634**

Int. Reg. Date: **May 20, 2021**

Int. Reg. Pub. Date: **Nov. 26, 2021**

(57) **CLAIM**

The ornamental design for a computer mouse, as shown and described.

(30) **Foreign Application Priority Data**

Dec. 1, 2020 (KR) 30-2020-0058911

(51) **LOC (13) Cl.** **14-03**

(52) **U.S. Cl.**
USPC **D14/407**

(58) **Field of Classification Search**
USPC D14/402-411, 356, 388, 389, 383-385,
D14/417, 426; 345/156-167; 463/36-38;
358/471, 473; 273/148 B
CPC G06F 3/03543; G06F 2203/0333; G06F
3/039; G06F 3/038; G06F 2203/0384
See application file for complete search history.

DESCRIPTION

1. Computer mouse

1.1 : Perspective

1.2 : Front

1.3 : Back

1.4 : Left

1.5 : Right

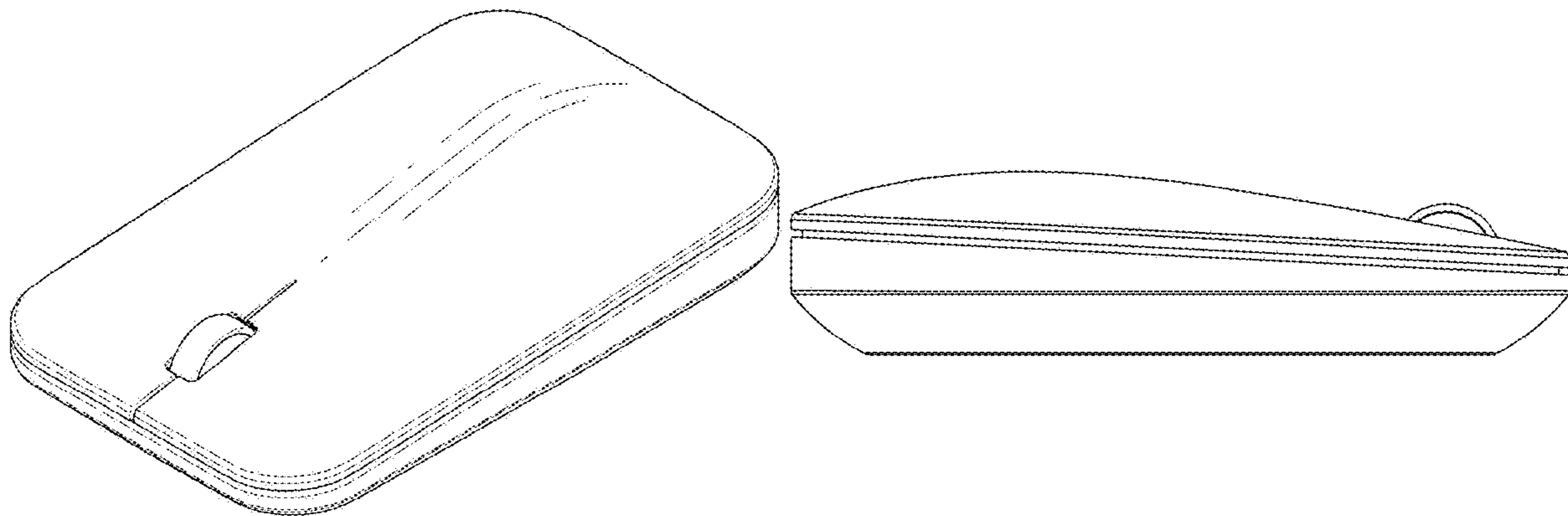
1.6 : Top

1.7 : Bottom

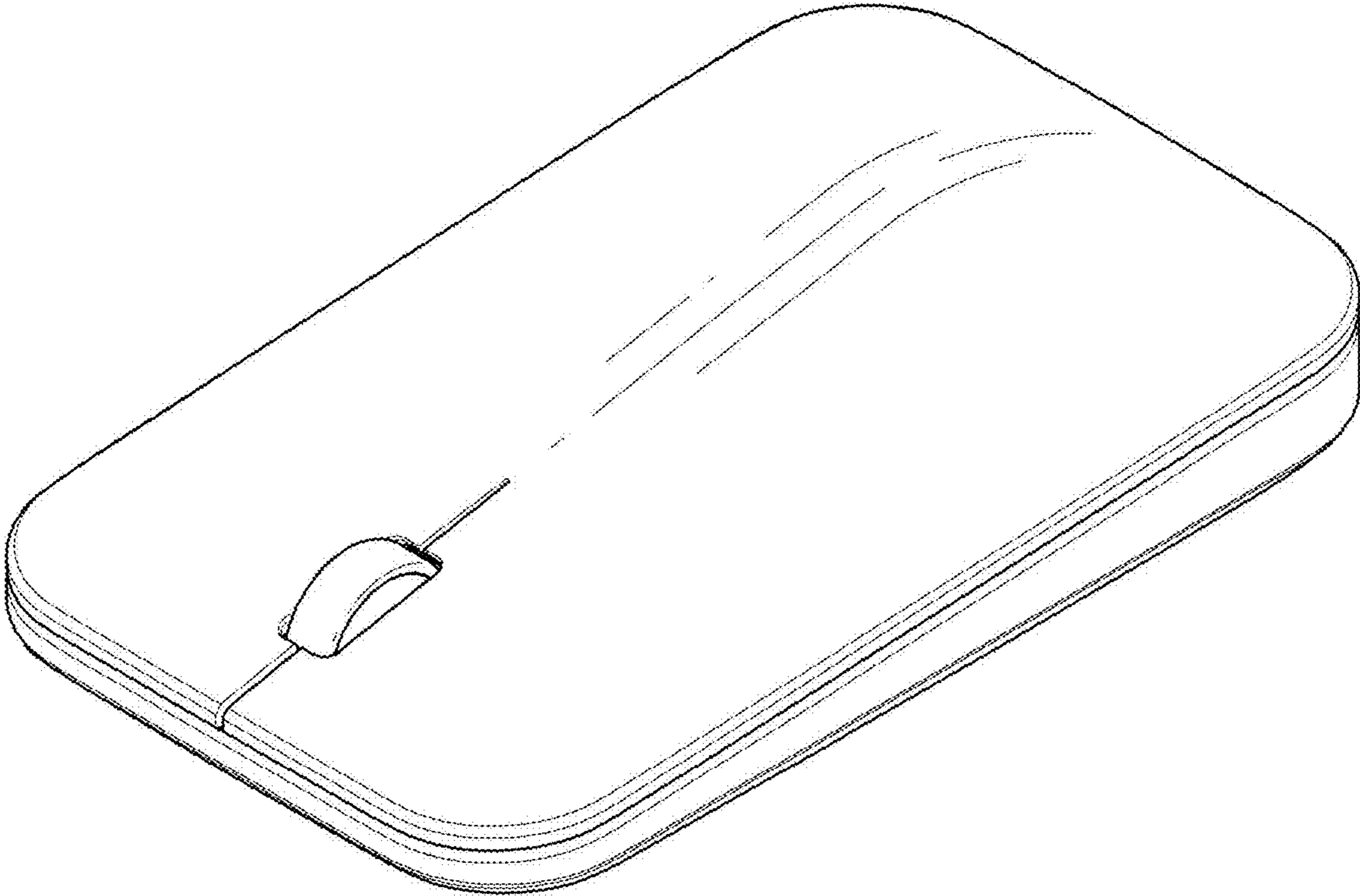
1.8 : Reference

Reproduction 1.8 shows the state of use with a top cover in different size; the broken lines are for the purpose of illustrating environment only and form no part of the claimed design.

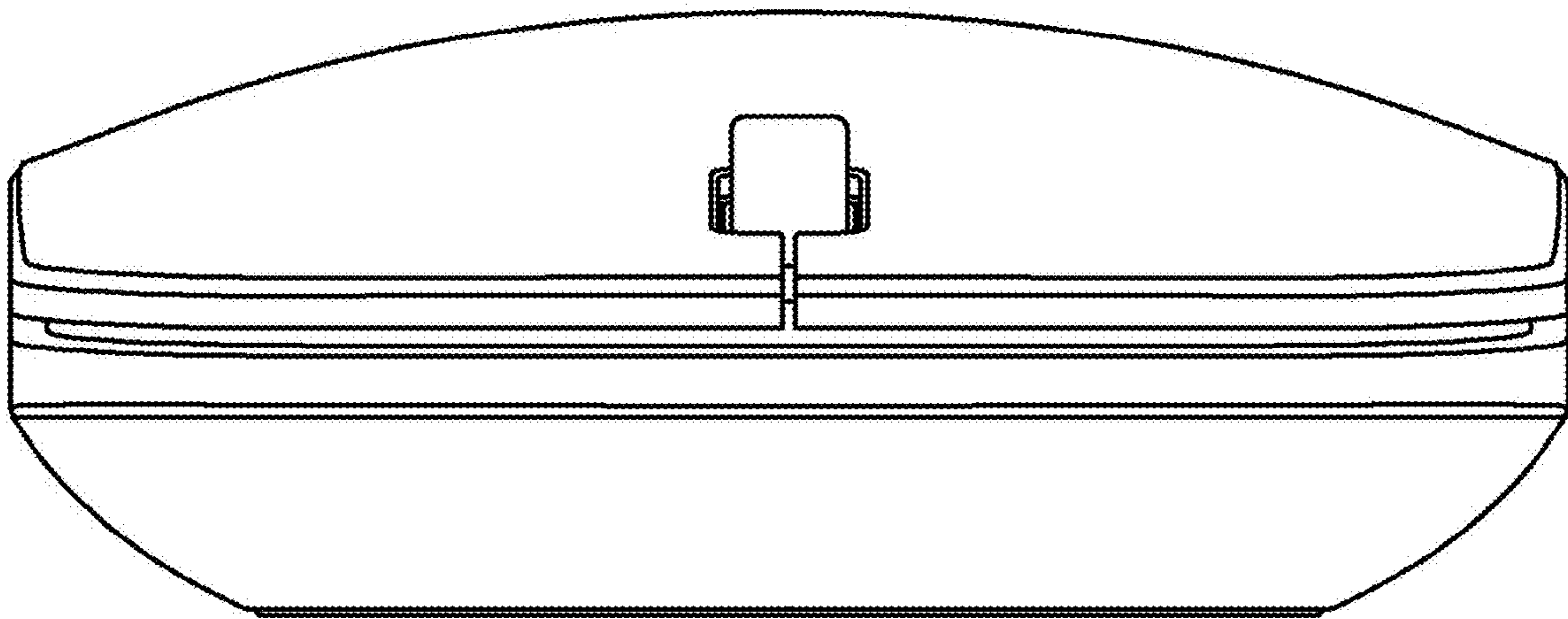
1 Claim, 8 Drawing Sheets



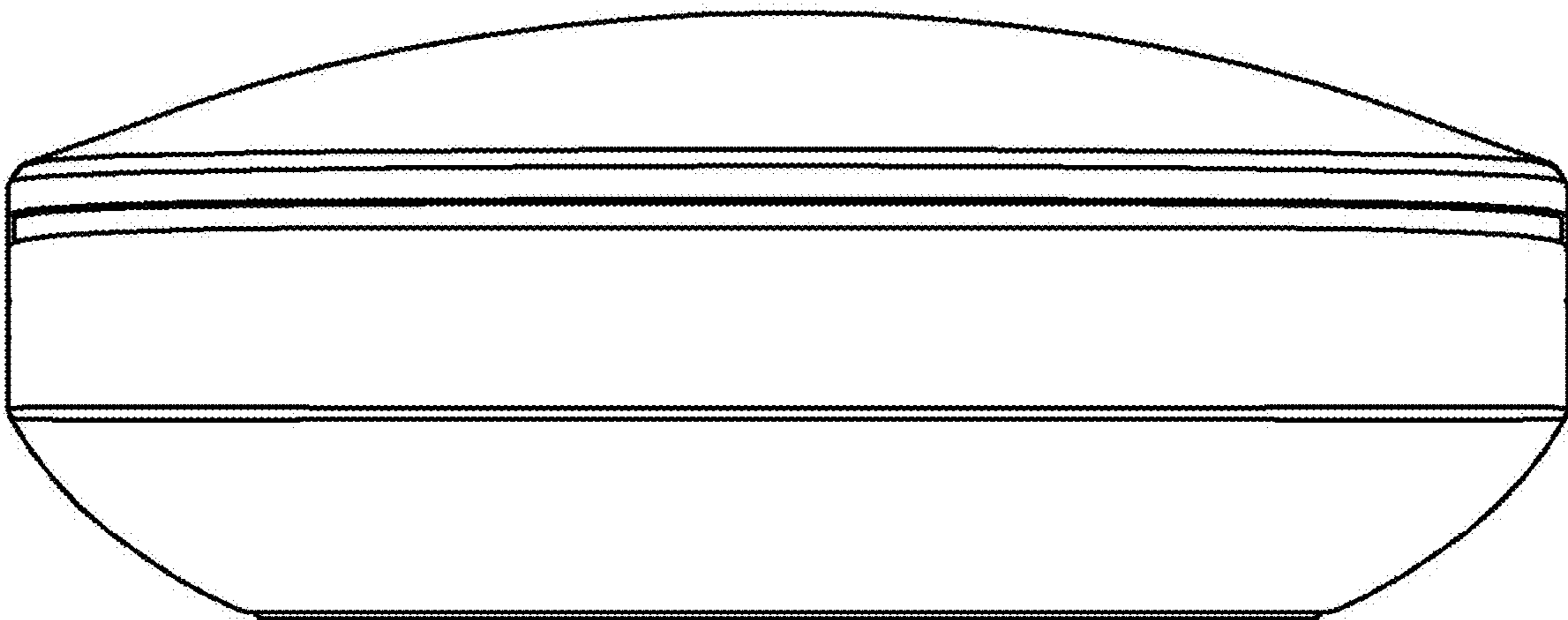
1.1



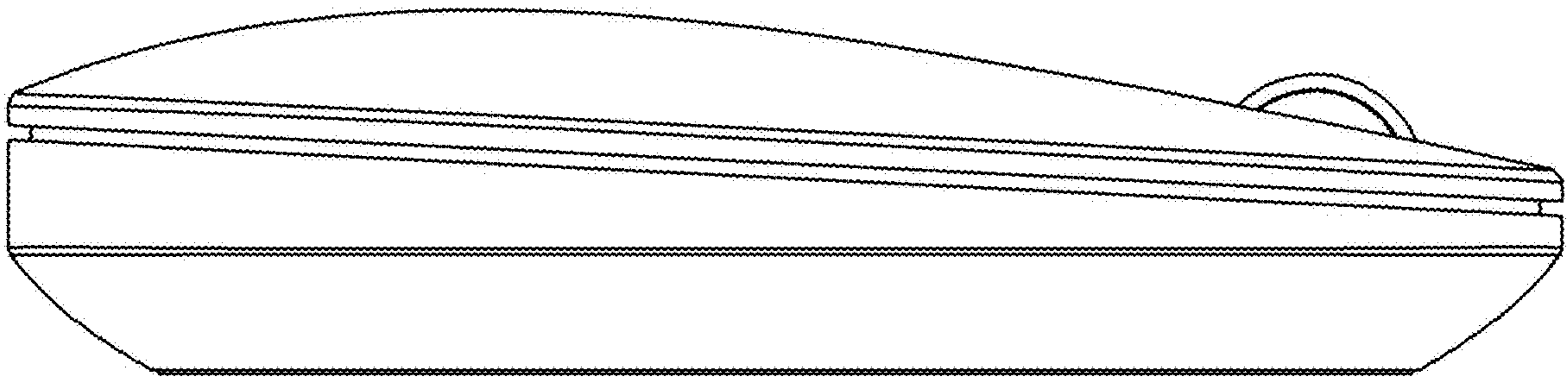
1.2



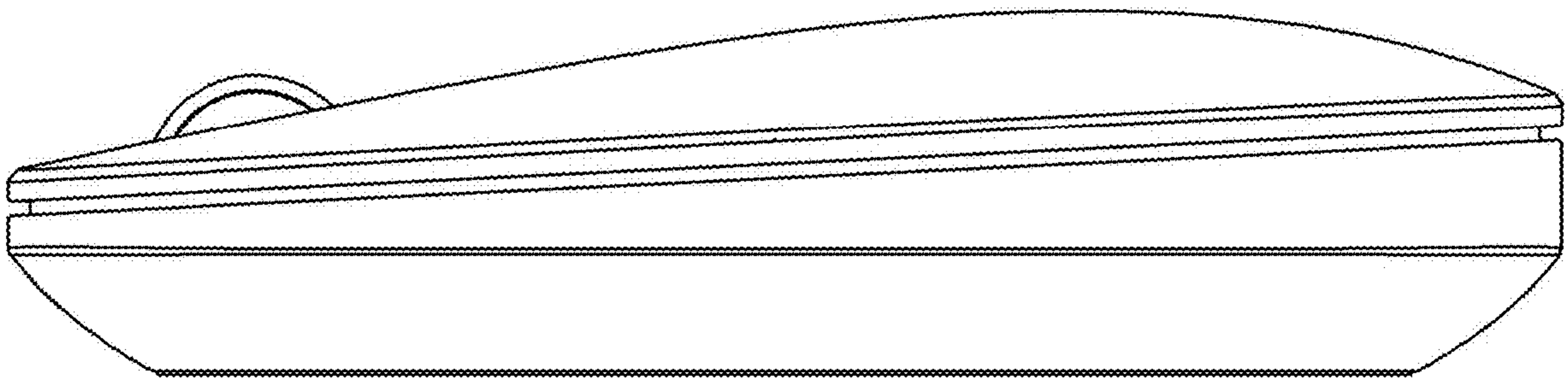
1.3



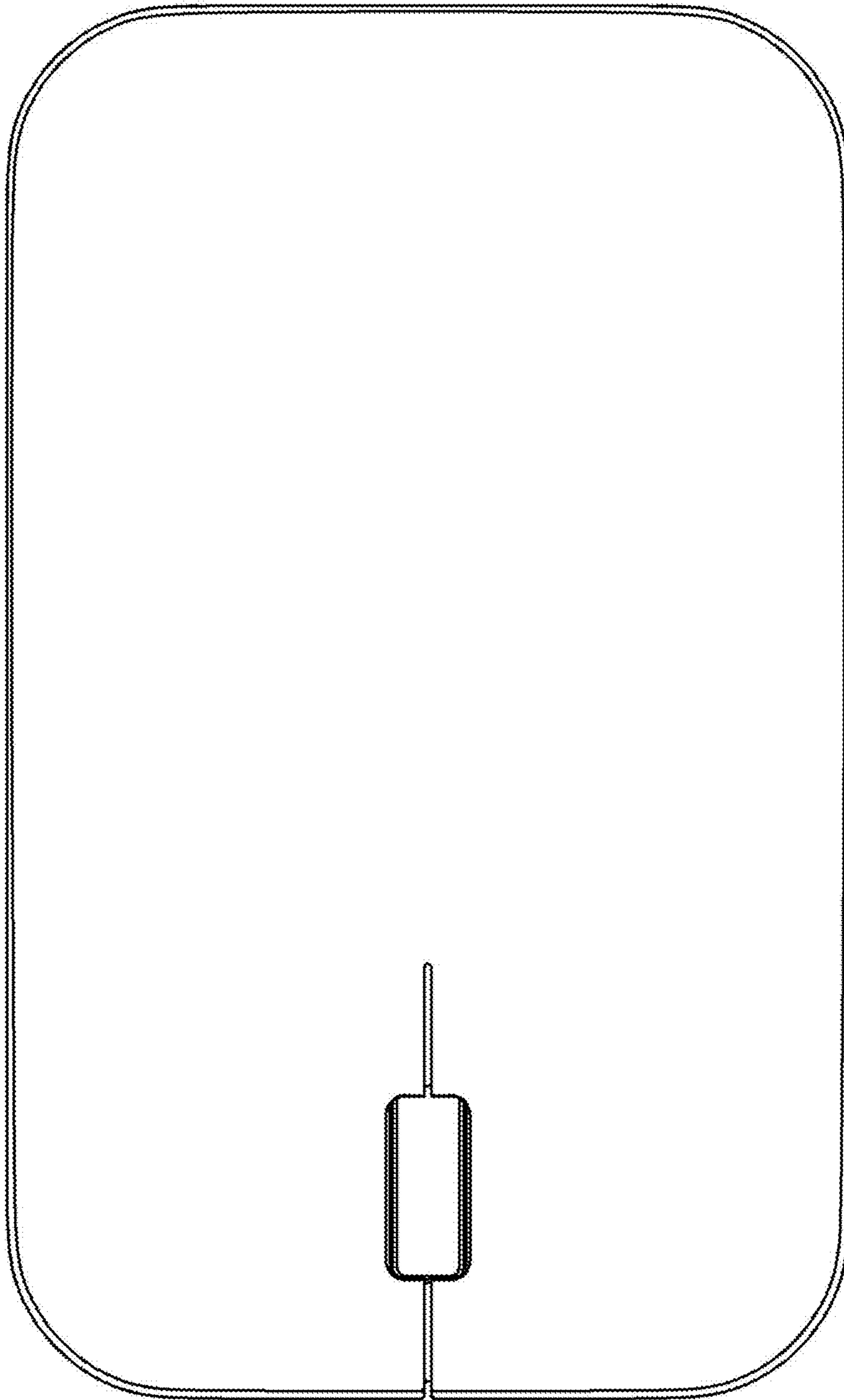
1.4



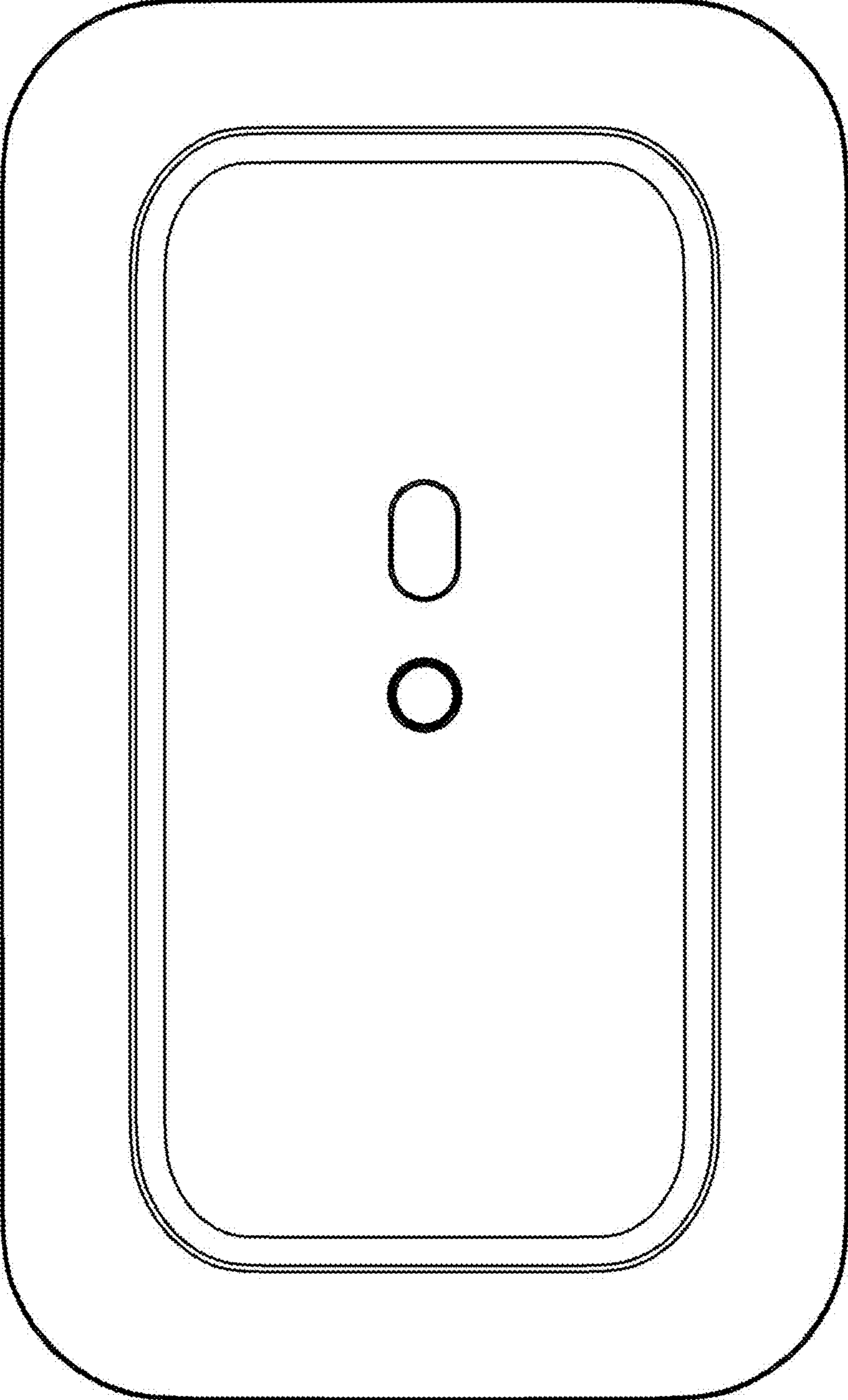
1.5



1.6



1.7



1.8

