



US00D972560S

(12) **United States Design Patent**  
**Roig et al.**

(10) **Patent No.:** **US D972,560 S**

(45) **Date of Patent:** **\*\* Dec. 13, 2022**

(54) **HEADSET STRAP**

(71) Applicant: **Meta Platforms Technologies, LLC**,  
Menlo Park, CA (US)

(72) Inventors: **Enric Vial Roig**, Seattle, WA (US);  
**Mauricio Romano**, Redmond, WA  
(US); **David Michael Pickett**, Seattle,  
WA (US); **Peter Allan Chase**  
**Newbury**, Burlington, WA (US);  
**Quintin Morris**, Seattle, WA (US);  
**Peter Wesley Bristol**, Seattle, WA  
(US); **Joseph Patrick Sullivan**, Seattle,  
WA (US); **Glen Jason Tompkins**,  
Woodinville, WA (US); **Joel Bernard**  
**Jacobs**, Seattle, WA (US)

D398,403 S 9/1998 Bishop et al.  
9,385,396 B2 7/2016 Goh et al.  
D778,909 S 2/2017 Nokuo  
D780,753 S 3/2017 Park et al.  
D809,517 S 2/2018 Sakata et al.  
D823,855 S 7/2018 Robertson et al.  
D827,642 S 9/2018 Liu et al.  
D829,208 S 9/2018 Dallmeyer et al.

(Continued)

FOREIGN PATENT DOCUMENTS

EP 2937005 B1 1/2018  
WO 2020021951 A1 1/2020

OTHER PUBLICATIONS

Morris Q., et al., "Head-Mounted Display," U.S. Appl. No. 29/723,785,  
filed Feb. 10, 2020, 23 pages.

(Continued)

*Primary Examiner* — Austin Murphy

(74) *Attorney, Agent, or Firm* — FisherBroyles, LLP

(73) Assignee: **Meta Platforms Technologies, LLC**,  
Menlo Park, CA (US)

(\*\*) Term: **15 Years**

(21) Appl. No.: **29/754,282**

(22) Filed: **Oct. 8, 2020**

(51) **LOC (13) Cl.** ..... **14-02**

(52) **U.S. Cl.**  
USPC ..... **D14/372**

(58) **Field of Classification Search**  
USPC ..... D14/372, 496, 432, 371, 125, 126, 129,  
D14/299; D16/300-342; 351/158, 153,  
351/144; 345/7-9, 905; 455/344;  
348/115, 53, 121, 739  
CPC ..... G02B 27/017; G02B 27/0158; G02B  
27/0161; G02B 27/0181; G02B 27/0185;  
G02B 27/0189

See application file for complete search history.

(56) **References Cited**

U.S. PATENT DOCUMENTS

3,892,792 A 7/1975 Yankee  
3,893,478 A 7/1975 Peters

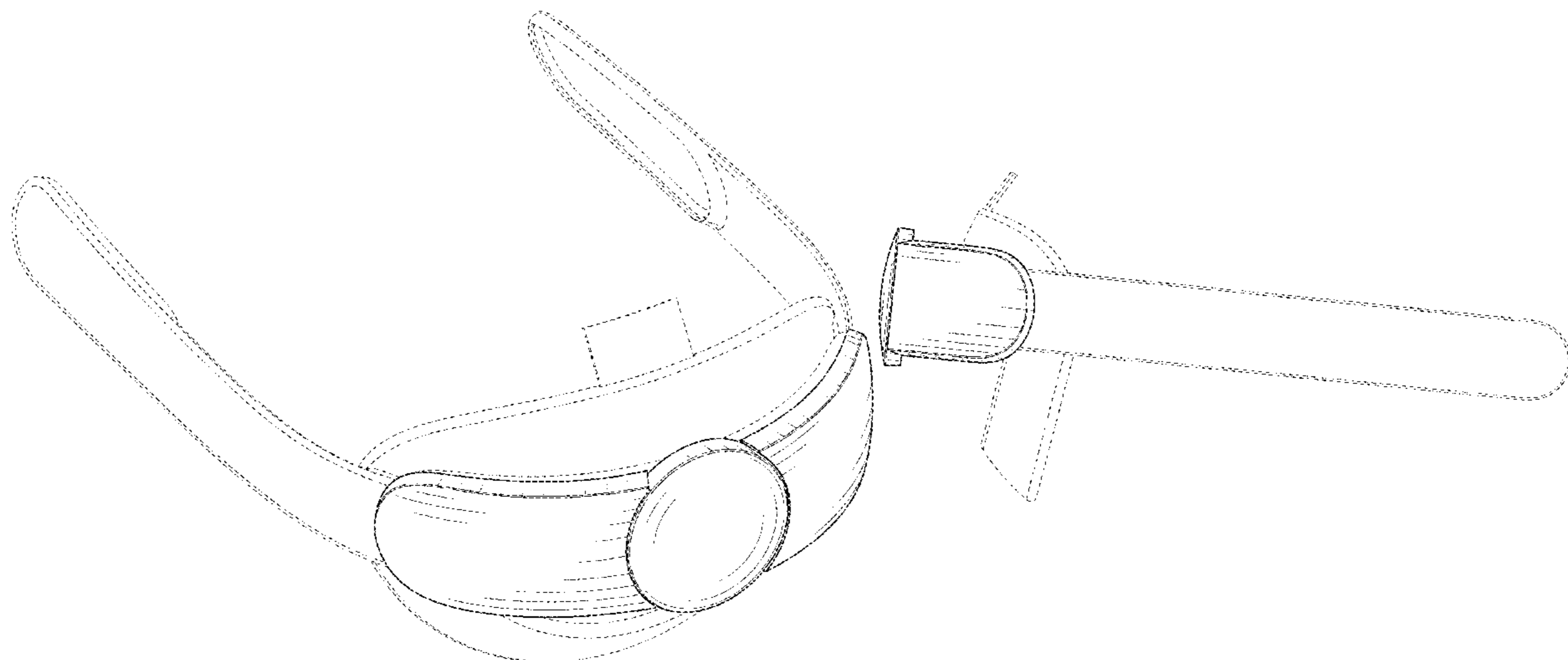
(57) **CLAIM**

The ornamental design for a headset strap, as shown and  
described.

**DESCRIPTION**

FIG. 1 is a front perspective view of a headset strap showing  
the claimed design;  
FIG. 2 is a rear perspective view thereof;  
FIG. 3 is a front view thereof;  
FIG. 4 is a rear view thereof;  
FIG. 5 is a top view thereof;  
FIG. 6 is a bottom view thereof;  
FIG. 7 is a left side view thereof; and,  
FIG. 8 is a right side view thereof.  
The broken lines shown in the figures illustrate portions of  
the headset strap that form no part of the claimed design.

**1 Claim, 7 Drawing Sheets**



(56)

References Cited

U.S. PATENT DOCUMENTS

D834,016 S 11/2018 Raffle et al.  
 10,146,262 B1 12/2018 Magrath et al.  
 D838,719 S 1/2019 Wei et al.  
 10,297,868 B2 5/2019 Choi et al.  
 D861,680 S 10/2019 Chou et al.  
 D863,300 S \* 10/2019 Boger ..... D14/372  
 D865,764 S 11/2019 Miller et al.  
 D867,362 S 11/2019 Chou et al.  
 D869,464 S \* 12/2019 Chang ..... D14/372  
 D870,977 S \* 12/2019 Berggren ..... D29/122  
 D872,079 S \* 1/2020 Huang ..... D14/372  
 D875,093 S 2/2020 Park  
 D875,094 S 2/2020 Miller et al.  
 D882,568 S 4/2020 Park  
 D882,569 S 4/2020 Tsao  
 D883,280 S 5/2020 Shao et al.  
 D885,383 S \* 5/2020 Chang ..... D14/372  
 10,663,737 B1 5/2020 Magrath et al.  
 D889,464 S 7/2020 Wang et al.  
 D892,792 S 8/2020 Miller et al.  
 D893,478 S 8/2020 Watanabe et al.  
 D896,221 S \* 9/2020 Lee ..... D14/372  
 D898,025 S \* 10/2020 Bhat ..... D14/372  
 D898,738 S 10/2020 Denhez et al.  
 D900,095 S 10/2020 Wang et al.  
 D900,099 S 10/2020 Park  
 D900,435 S 11/2020 Huang et al.  
 D904,402 S \* 12/2020 Marquis ..... D14/372  
 D905,055 S 12/2020 Shao et al.  
 D910,014 S 2/2021 Amijo et al.  
 D910,015 S 2/2021 Amijo et al.  
 D910,018 S 2/2021 Amijo et al.  
 D912,048 S 3/2021 Wei et al.  
 D916,086 S 4/2021 Zhang et al.  
 D916,702 S \* 4/2021 Newsom ..... D14/372  
 D917,476 S 4/2021 Zhang et al.  
 D918,203 S 5/2021 Chen  
 D918,864 S 5/2021 Bulte et al.  
 D918,904 S 5/2021 Jackson et al.  
 D920,974 S \* 6/2021 Chi ..... D14/372  
 D924,234 S \* 7/2021 Meng ..... D14/372  
 D925,528 S 7/2021 Bristol et al.  
 D925,529 S 7/2021 Morris et al.  
 D925,530 S 7/2021 Morris et al.  
 D926,757 S 8/2021 Wang  
 D927,785 S \* 8/2021 Wu ..... D29/102

D928,151 S \* 8/2021 Hu ..... D14/372  
 D929,401 S 8/2021 Chiang et al.  
 D929,402 S 8/2021 Jiang  
 D931,277 S \* 9/2021 Denhez ..... D14/372  
 D931,278 S 9/2021 Pombo et al.  
 D932,488 S \* 10/2021 Huang ..... D14/372  
 D937,262 S 11/2021 Chi  
 D939,017 S \* 12/2021 Liang ..... D16/339  
 D943,575 S \* 2/2022 Conlee, IV ..... D14/372  
 D951,961 S 5/2022 Natsume et al.  
 D953,328 S \* 5/2022 Forsland ..... D14/372  
 D955,386 S \* 6/2022 Conlee, IV ..... D14/372  
 D956,747 S \* 7/2022 Huang ..... D14/372  
 D957,390 S \* 7/2022 Fang ..... D14/372  
 D957,391 S \* 7/2022 Roig ..... D14/372  
 D957,392 S \* 7/2022 Roig ..... D14/372  
 2012/0297520 A1 11/2012 Gleason et al.  
 2017/0238643 A1 8/2017 Pereira et al.  
 2018/0042330 A1 2/2018 Wu  
 2018/0335632 A1 \* 11/2018 Cho ..... G02B 7/002  
 2019/0339736 A1 11/2019 Chang et al.

OTHER PUBLICATIONS

Wikipedia, "LG G Flex", URL: [https://en.wikipedia.org/wiki/LG\\_G\\_Flex](https://en.wikipedia.org/wiki/LG_G_Flex), as accessed on Jun. 19, 2020, 2 pages.  
 Lang, Ben, "HoloLens 2 Specs Reveal 2-3 Hour 'Active' Battery Life, Optional Top Strap, & More", URL: <https://www.roadtovr.com/hololens-2-specs-resolution-field-of-view-battery-life/>, Feb. 24, 2019, 5 pages.  
 Howard et al., "Curved Batteries, Devices, and Accessories", U.S. Appl. No. 62/901,082, filed Sep. 16, 2019, 75 pages.  
 Howard et al., "Non-Uniformly Curved Batteries", U.S. Appl. No. 16/818,611, filed Mar. 13, 2020, 115 pages.  
 Howard et al., "Curved Battery-Pack Devices and Accessories", U.S. Appl. No. 16/818,614, filed Mar. 13, 2020, 117 pages.  
 Roig et al., "Head Cradle for Head-Mounted Display and Related Systems and Devices", U.S. Appl. No. 63/060,716, filed Aug. 4, 2020, 65 pages.  
 Flores et al., "Fabric Reinforced Soft Actuators", U.S. Appl. No. 63/050,310, filed Jul. 10, 2020, 56 pages.  
 Barreiros et al., "Fabric Reinforced Soft Actuators", U.S. Appl. No. 17/111,549, filed Dec. 4, 2020, 71 pages.  
 International Search Report and Written Opinion for International Application No. PCT/US2021/044233, dated Oct. 29, 2021, 15 pages.

\* cited by examiner

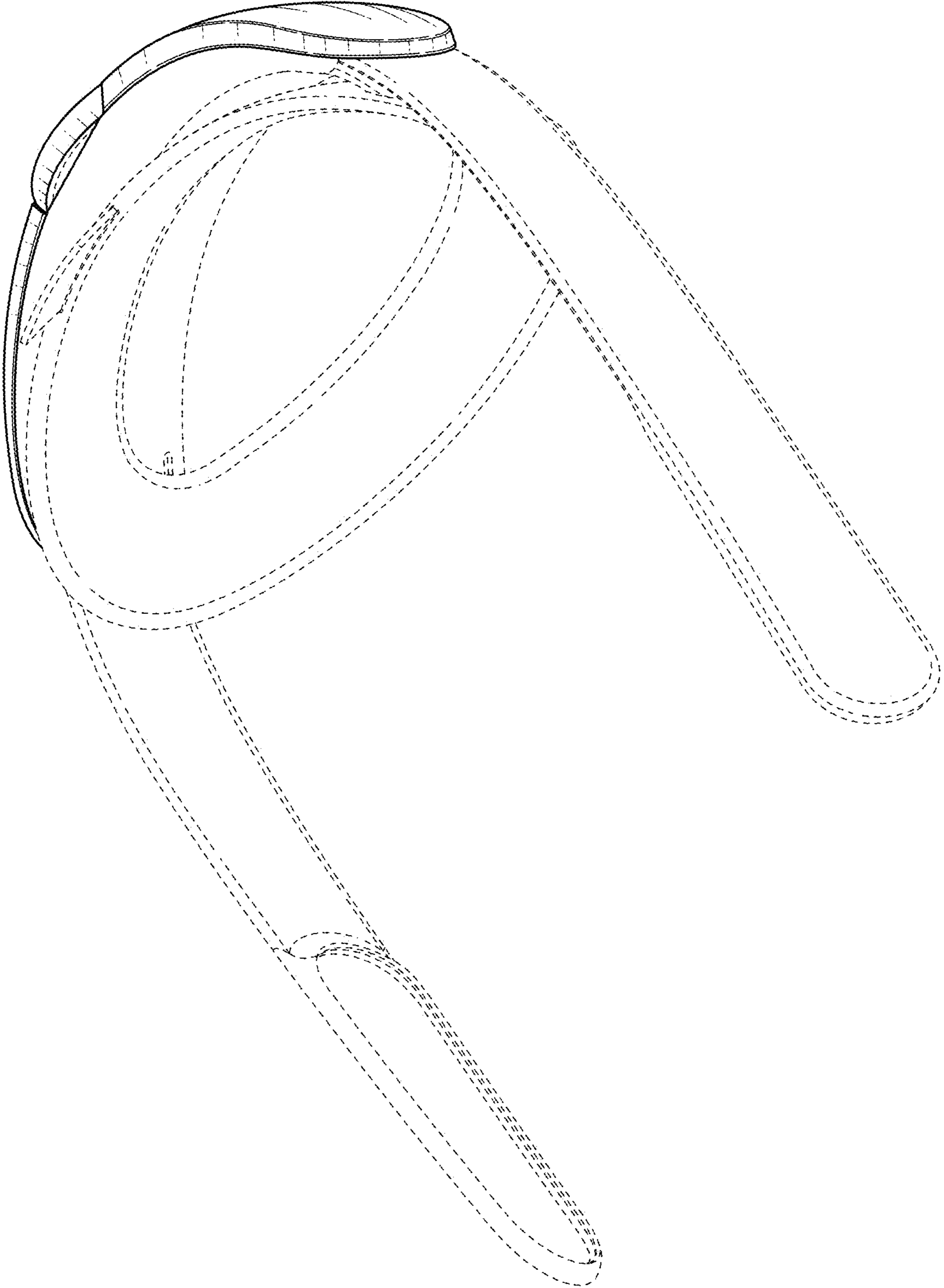


FIG. 1

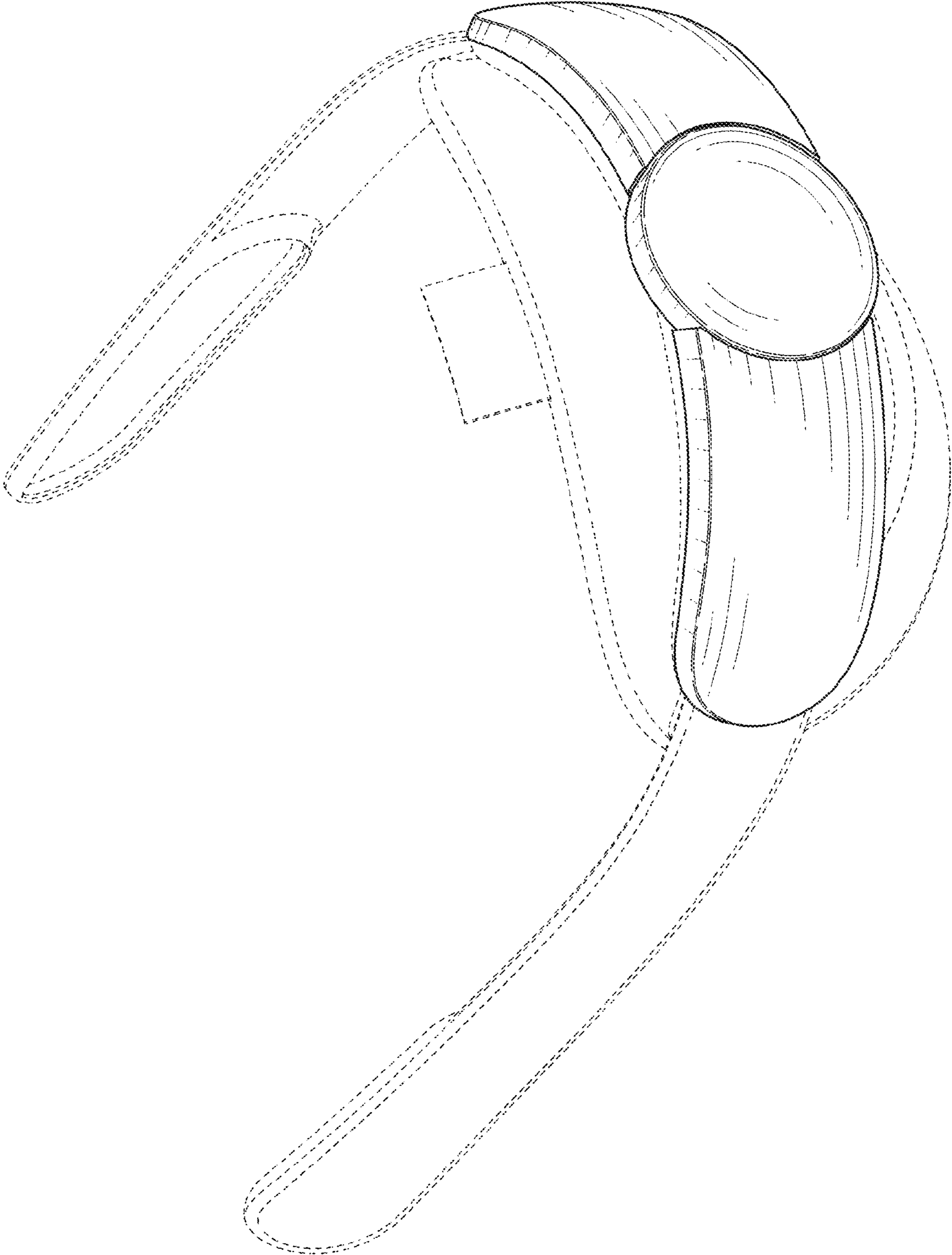
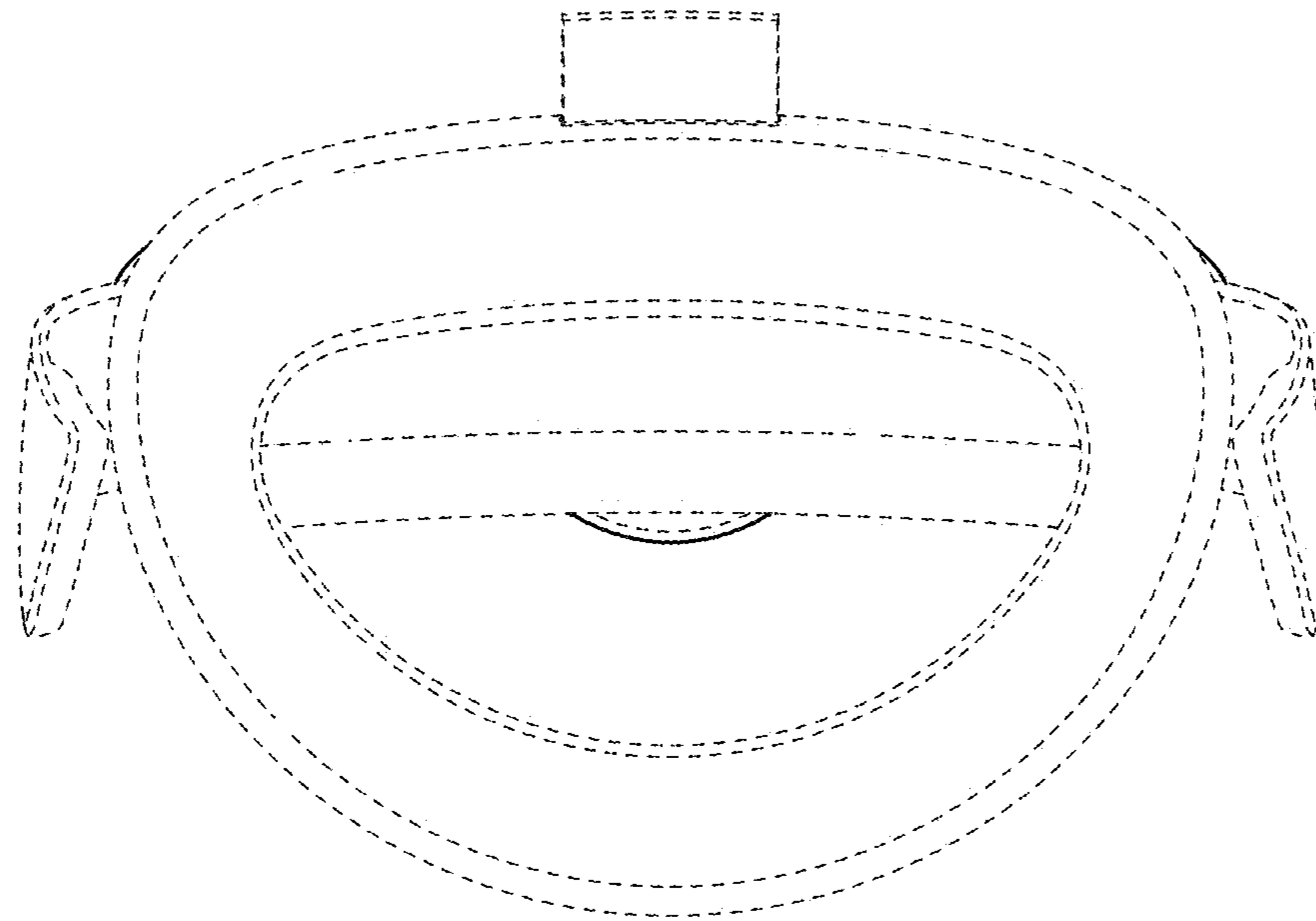
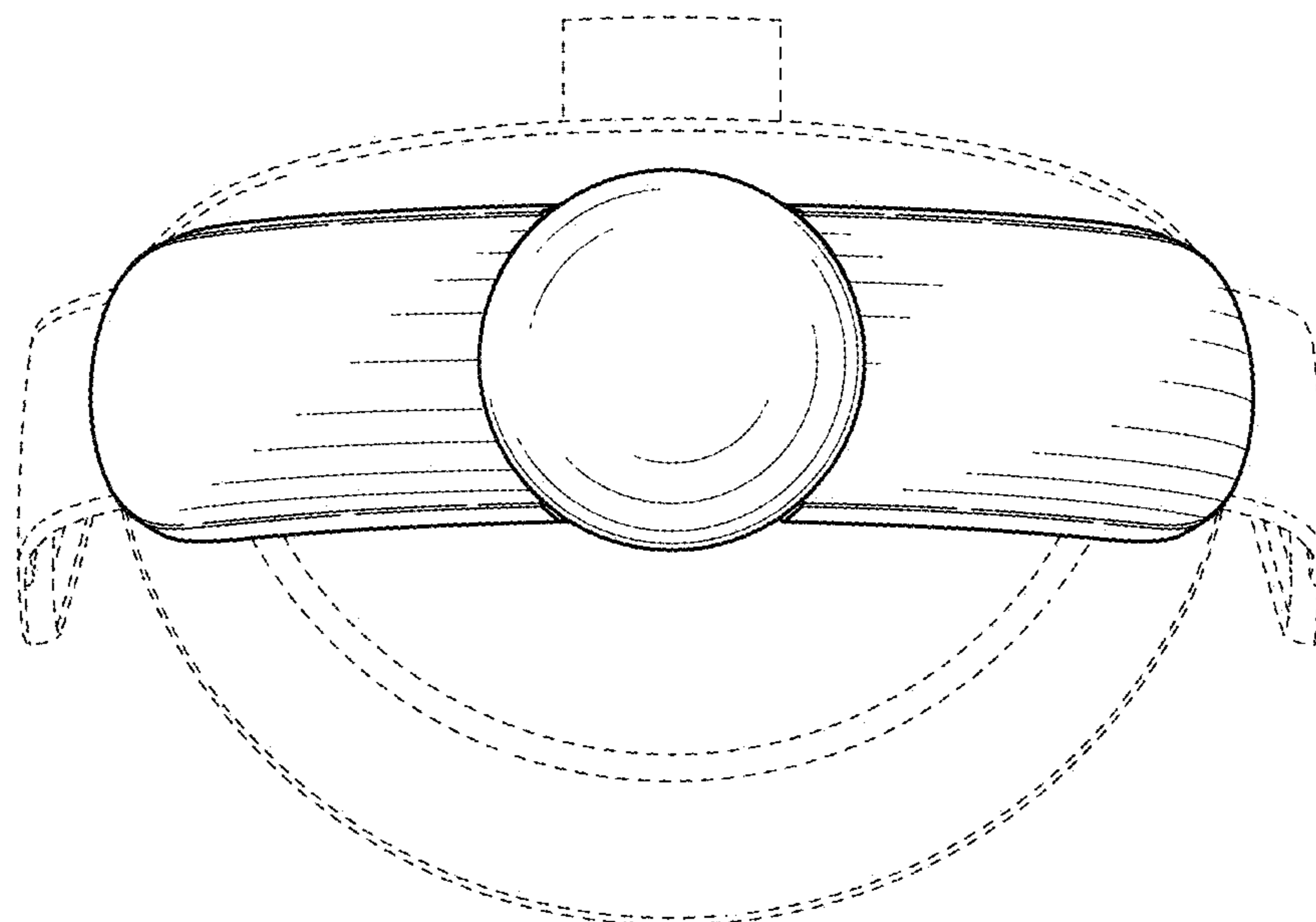


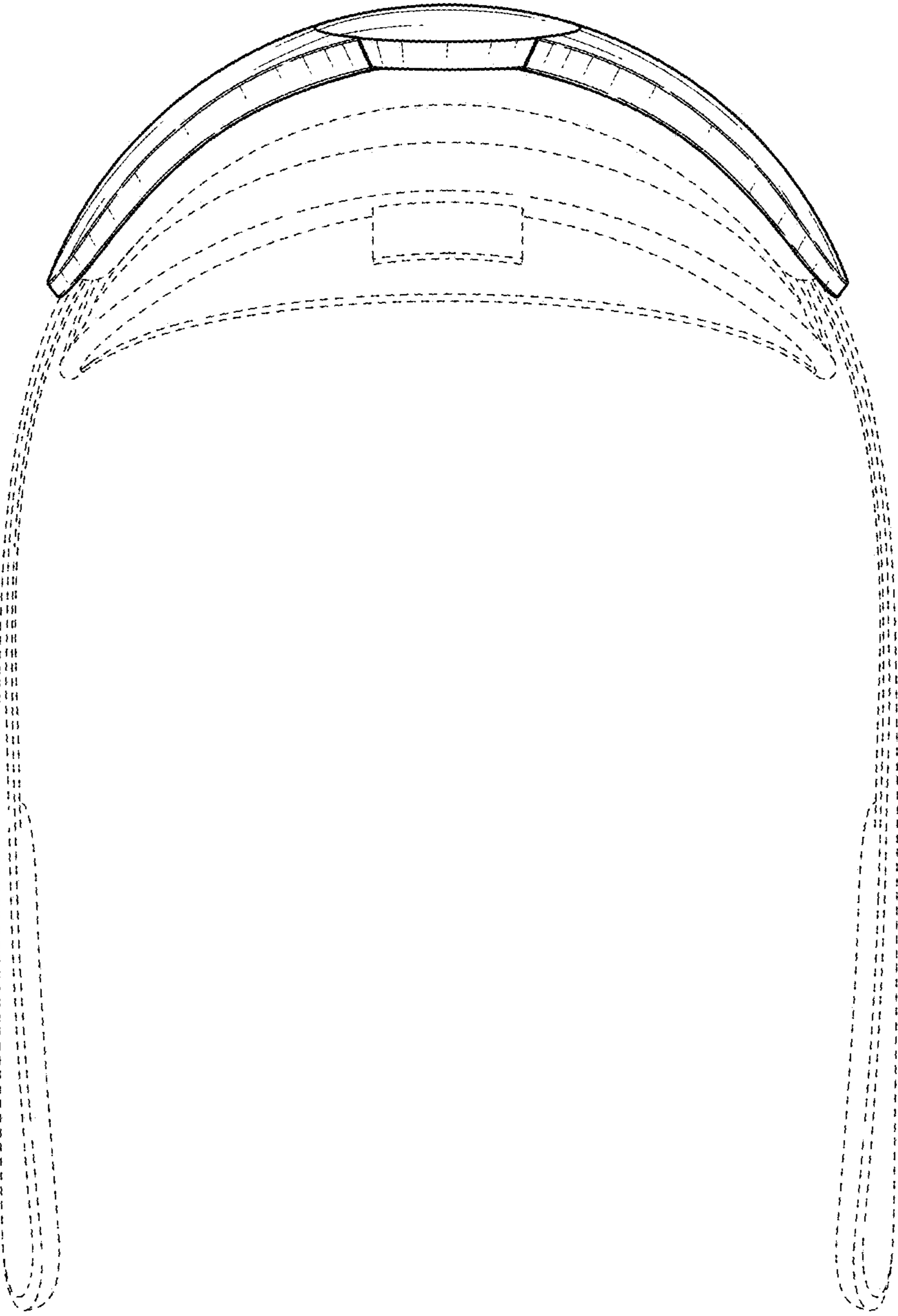
FIG. 2



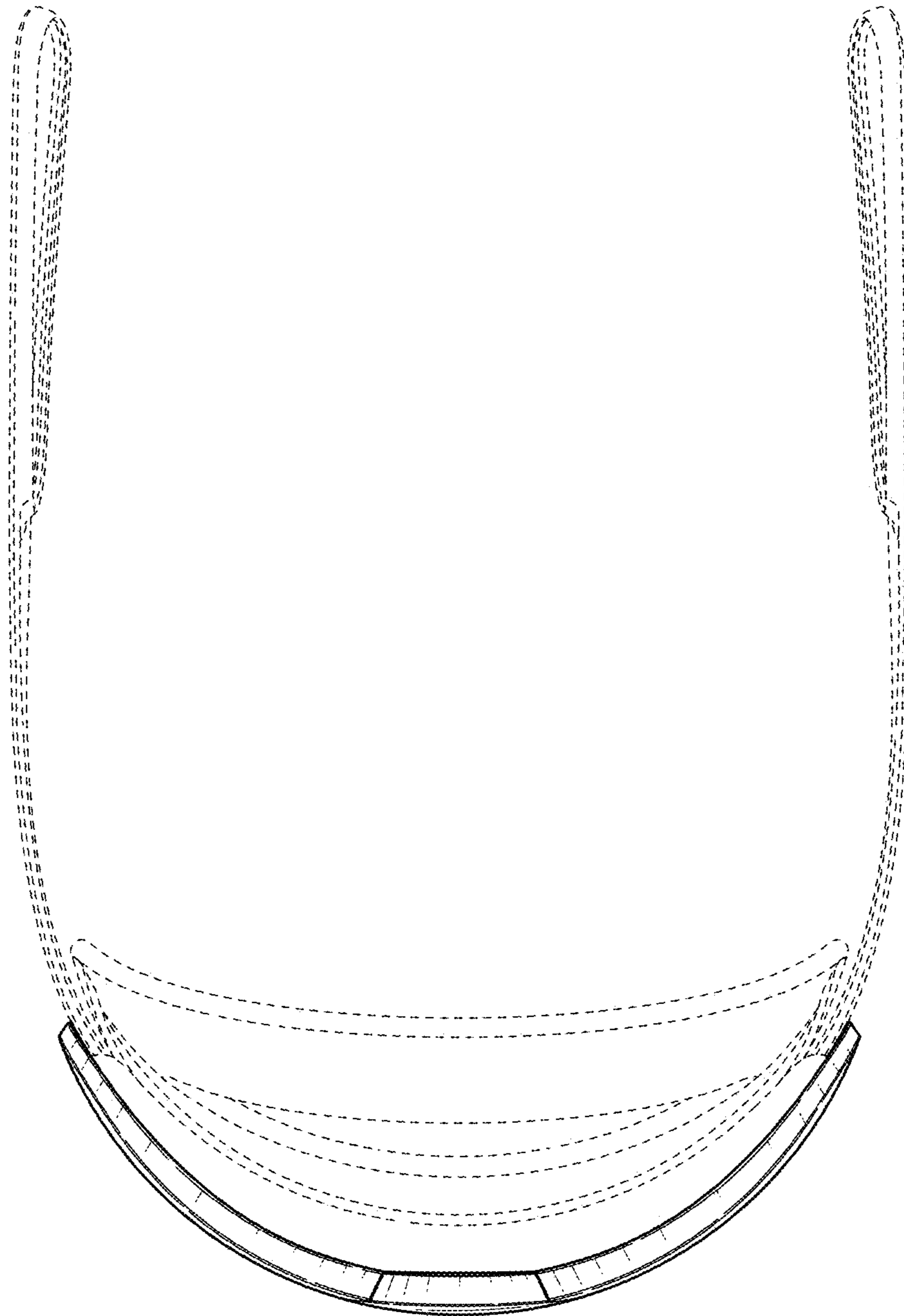
**FIG. 3**



**FIG. 4**



**FIG. 5**



**FIG. 6**

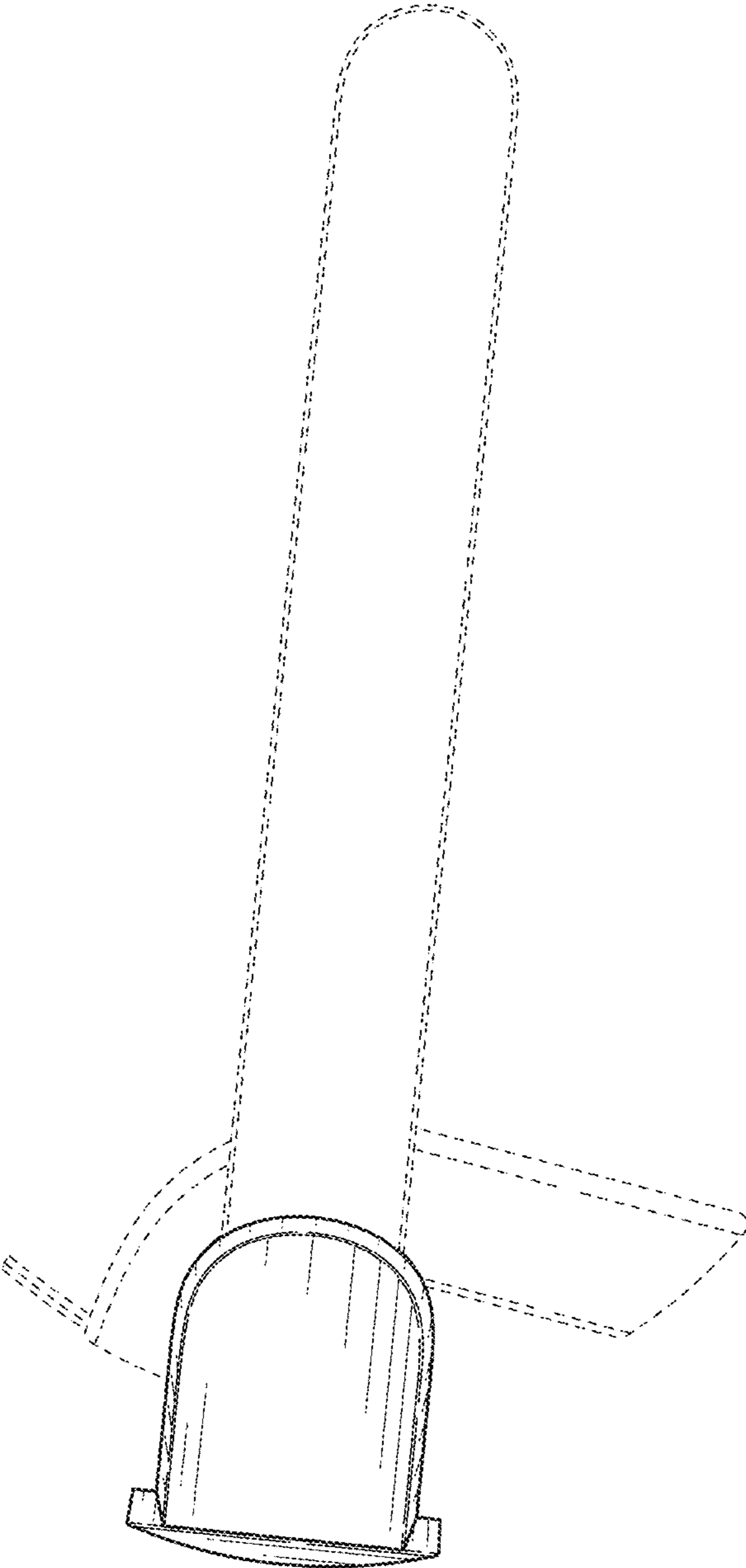
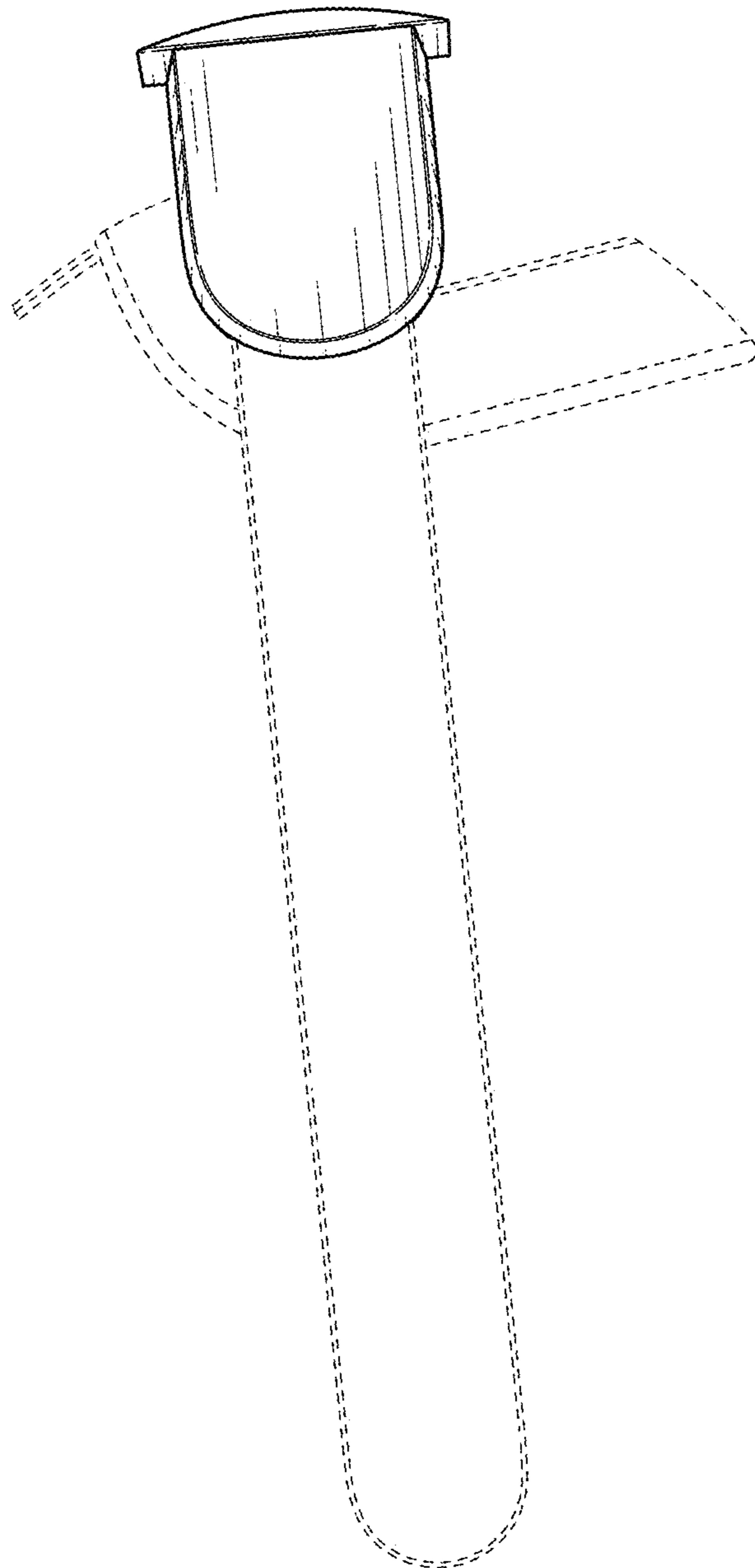


FIG. 7





**FIG. 8**