



US00D972559S

(12) **United States Design Patent**
Law et al.

(10) **Patent No.:** **US D972,559 S**
(45) **Date of Patent:** **** Dec. 13, 2022**

- (54) **DISPLAY**
- (71) Applicant: **Dell Products L.P.**, Round Rock, TX (US)
- (72) Inventors: **Suet Chan Law**, Singapore (SG);
Chun Long Goh, Singapore (SG)
- (73) Assignee: **Dell Products L.P.**, Round Rock, TX (US)

D934,857 S 11/2021 Choi
 D934,880 S * 11/2021 Seo D14/451
 D945,991 S * 3/2022 Kim D14/336
 (Continued)

FOREIGN PATENT DOCUMENTS

GB 82117710000-1000 * 11/2020
 KR 300893196.0000 * 2/2020
 WO D222273-001 * 7/2022

OTHER PUBLICATIONS

Koorui, "24 inch Business Computer Monitor . . .", available at amazon.com, date first available Mar. 12, 2022, site visited Sep. 7, 2022, available at URL: <https://a.co/d/6GPTCxo> (Year: 2022).
 Asus, "TUF Gaming VG289Q 28" HDR Gaming Monitor . . ." available at walmart.com, oldest review date Aug. 1, 2021, site visited Sep. 7, 2022, available at URL: <https://bit.ly/3RvgnTJ> (Year: 2021).*

(Continued)

Primary Examiner — Daniel J Domino
Assistant Examiner — Samina Vieth
 (74) *Attorney, Agent, or Firm* — Zagorin Cave LLP;
 Robert W. Holland

(57) **CLAIM**

We claim the ornamental design for a display, as shown and described.

DESCRIPTION

FIG. 1 is a front perspective view of the display comprising the present invention;
 FIG. 2 is a front elevation view thereof;
 FIG. 3 is a rear elevation view thereof;
 FIG. 4 is a right side view thereof;
 FIG. 5 is a left side view thereof;
 FIG. 6 is a top view thereof;
 FIG. 7 is a bottom view thereof; and,
 FIG. 8 is a bottom front perspective view thereof.
 Broken lines shown in the drawings illustrate portions of the display, and form no part of the claimed design.

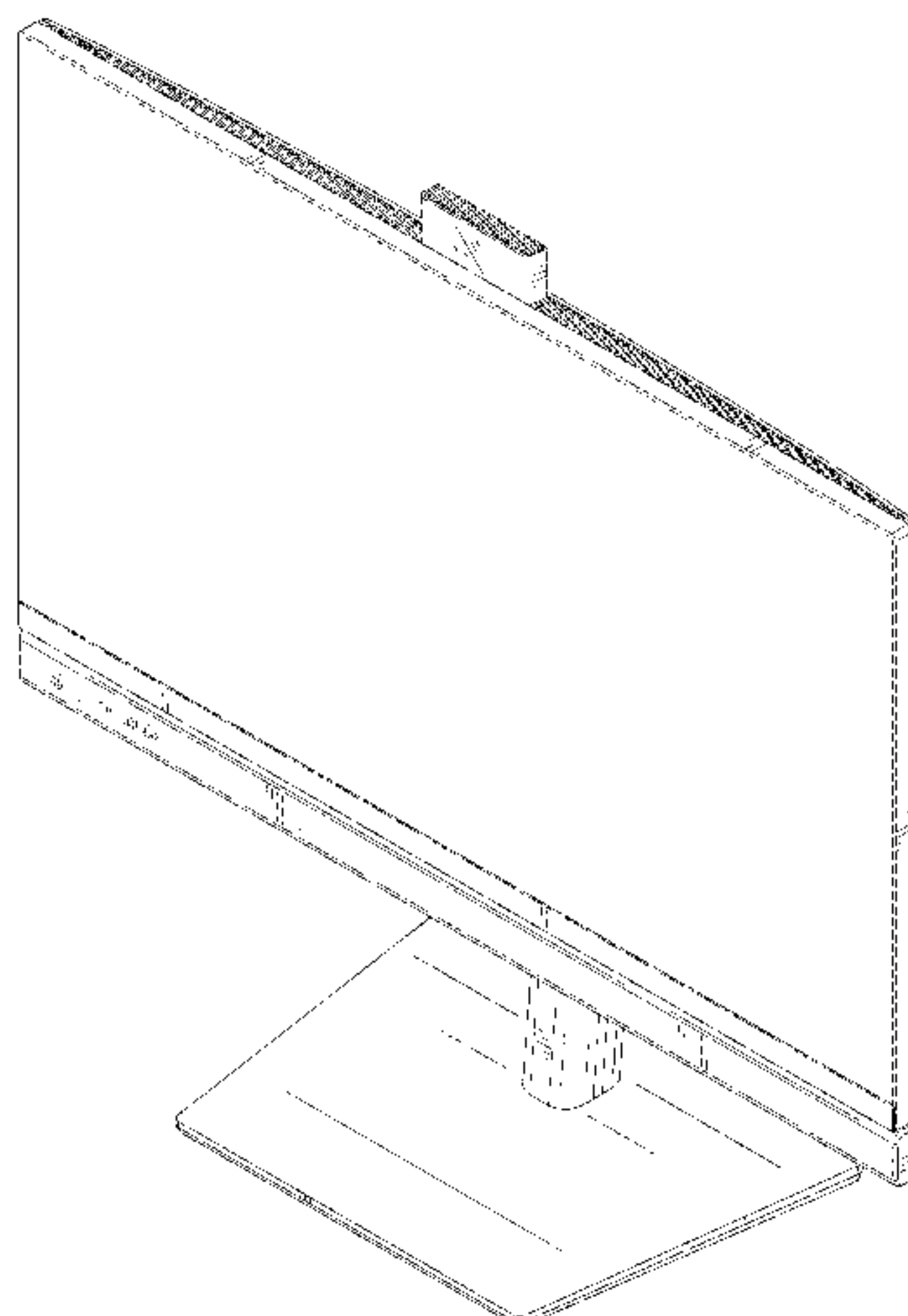
1 Claim, 8 Drawing Sheets

- (**) Term: **15 Years**
- (21) Appl. No.: **29/770,063**
- (22) Filed: **Feb. 9, 2021**
- (51) **LOC (13) Cl.** **14-02**
- (52) **U.S. Cl.**
USPC **D14/371**; D14/126
- (58) **Field of Classification Search**
USPC D14/371, 388, 307, 314, 334–337, 339,
D14/340, 373–382, 448, 450, 125, 126,
D14/127, 132, 133, 217; D6/300–301,
D6/308; D21/324, 329; D24/386
CPC G06F 1/16; G06F 1/1601; G06F 1/1603;
G06F 1/1605; G06F 1/1607; G06F
1/1611; G06F 1/1616; G06F 1/1618;
G06F 1/1622; G06F 1/1626; G06F
1/1641; G06F 1/1643; G06F 1/1647;
G06F 1/1649; G06F 1/1654; G06F
1/1656; G06F 1/181; G06F 1/1684; G06F
1/1686; G06F 1/1692; H05K 5/02; H05K
5/03; H05K 5/0217; H05K 5/0239; H05K
5/0243; H05K 5/0286; H04N 5/64
See application file for complete search history.

(56) **References Cited**

U.S. PATENT DOCUMENTS

D628,200 S * 11/2010 Ko D14/374
 D726,717 S * 4/2015 Lee D14/371
 D827,644 S * 9/2018 Kim D14/377
 D888,054 S 6/2020 Tai
 D903,615 S * 12/2020 Goh D14/126



(56)

References Cited

U.S. PATENT DOCUMENTS

2012/0081351 A1* 4/2012 Yokota G02F 1/133608
361/679.01
2012/0127377 A1* 5/2012 Asano F16M 11/041
348/836
2013/0107142 A1* 5/2013 Shirasaka H05K 5/02
361/679.01
2013/0194515 A1* 8/2013 Hayashiyama H04N 5/64
361/752
2014/0104503 A1* 4/2014 Takao H04N 5/64
348/836
2014/0340827 A1* 11/2014 Truong G06F 1/16
248/122.1
2016/0084428 A1* 3/2016 Gayer F16M 11/045
361/679.21

OTHER PUBLICATIONS

Philips, "27" Mon LED UHD . . . ", available at provantage.com, first date available May 26, 2021, site visited Sep. 7, 2022, available at URL:<https://www.provantage.com/philips-279p1~7PHC91N8.htm> (Year: 2021).*

U.S. Appl. No. 29/756,398, filed Oct. 28, 2020, entitled "Information Handling System Display," by inventors Ng et al.

U.S. Appl. No. 29/734,254, filed May 11, 2020, entitled "Display," by inventors Goh et al.

U.S. Appl. No. 29/734,250, filed May 20, 2020, entitled "Display," by inventors Wu et al.

U.S. Appl. No. 29/695,731, filed Jun. 21, 2019, entitled "Display," by inventors Sitoh et al.

* cited by examiner

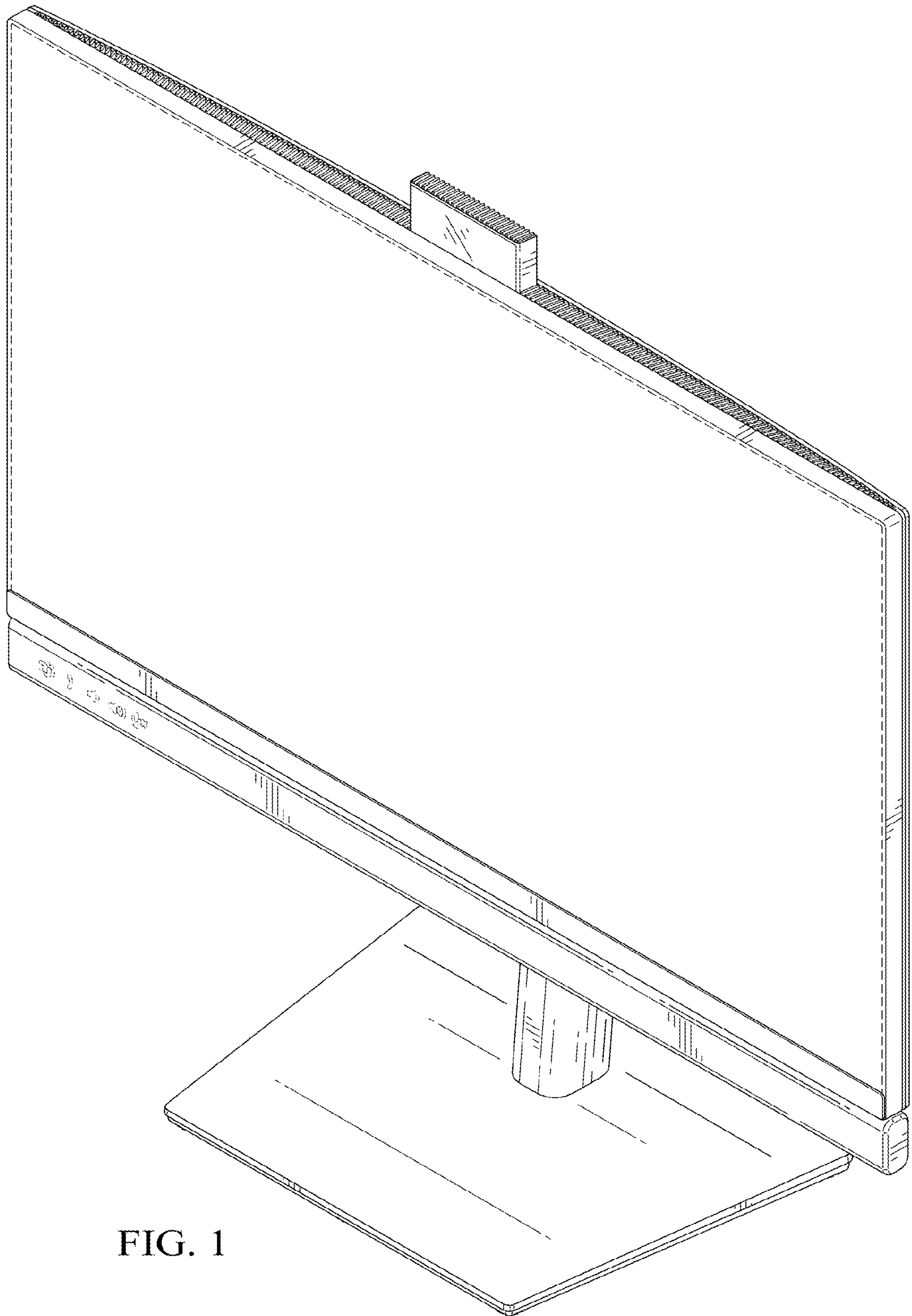


FIG. 1

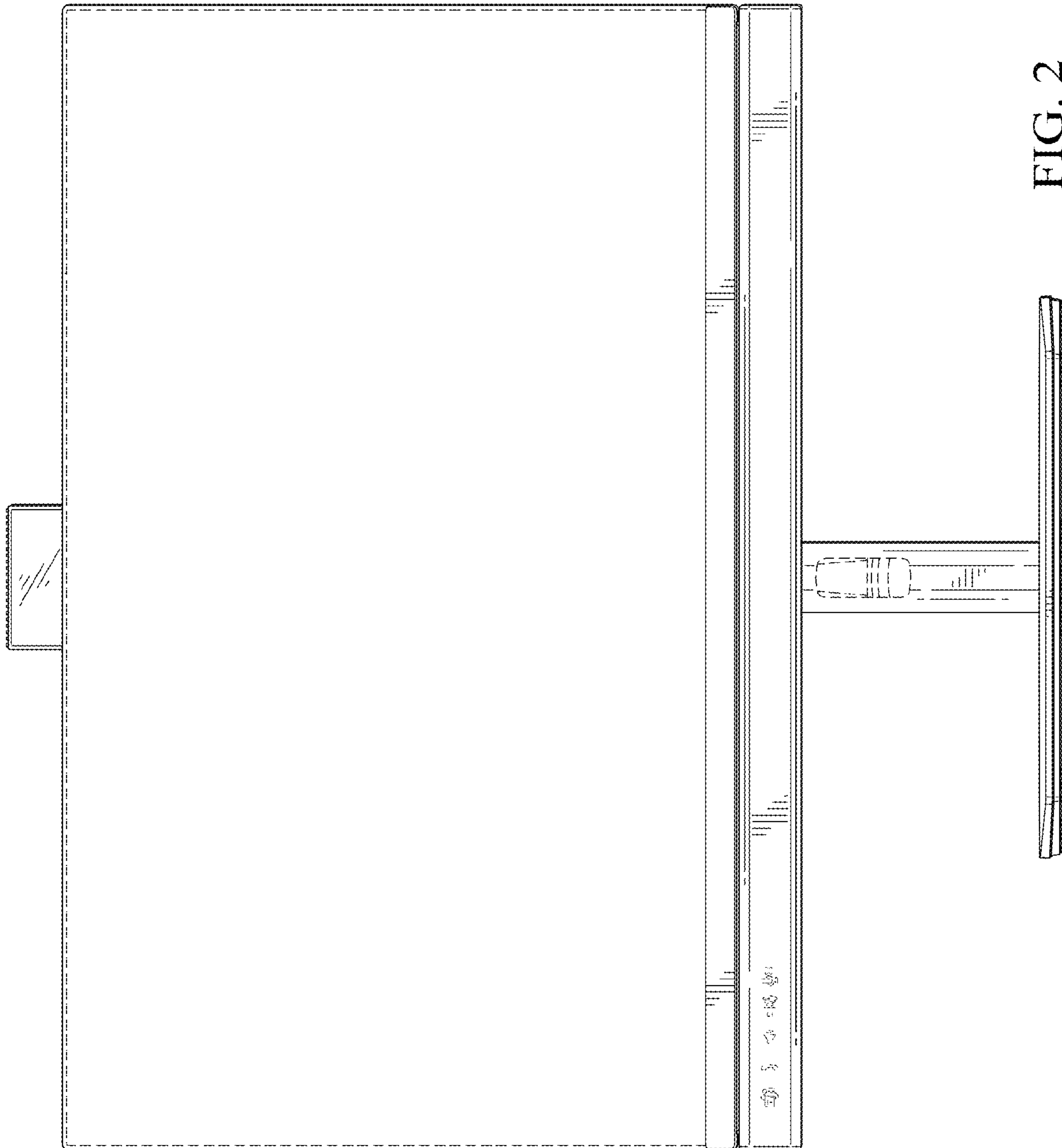


FIG. 2

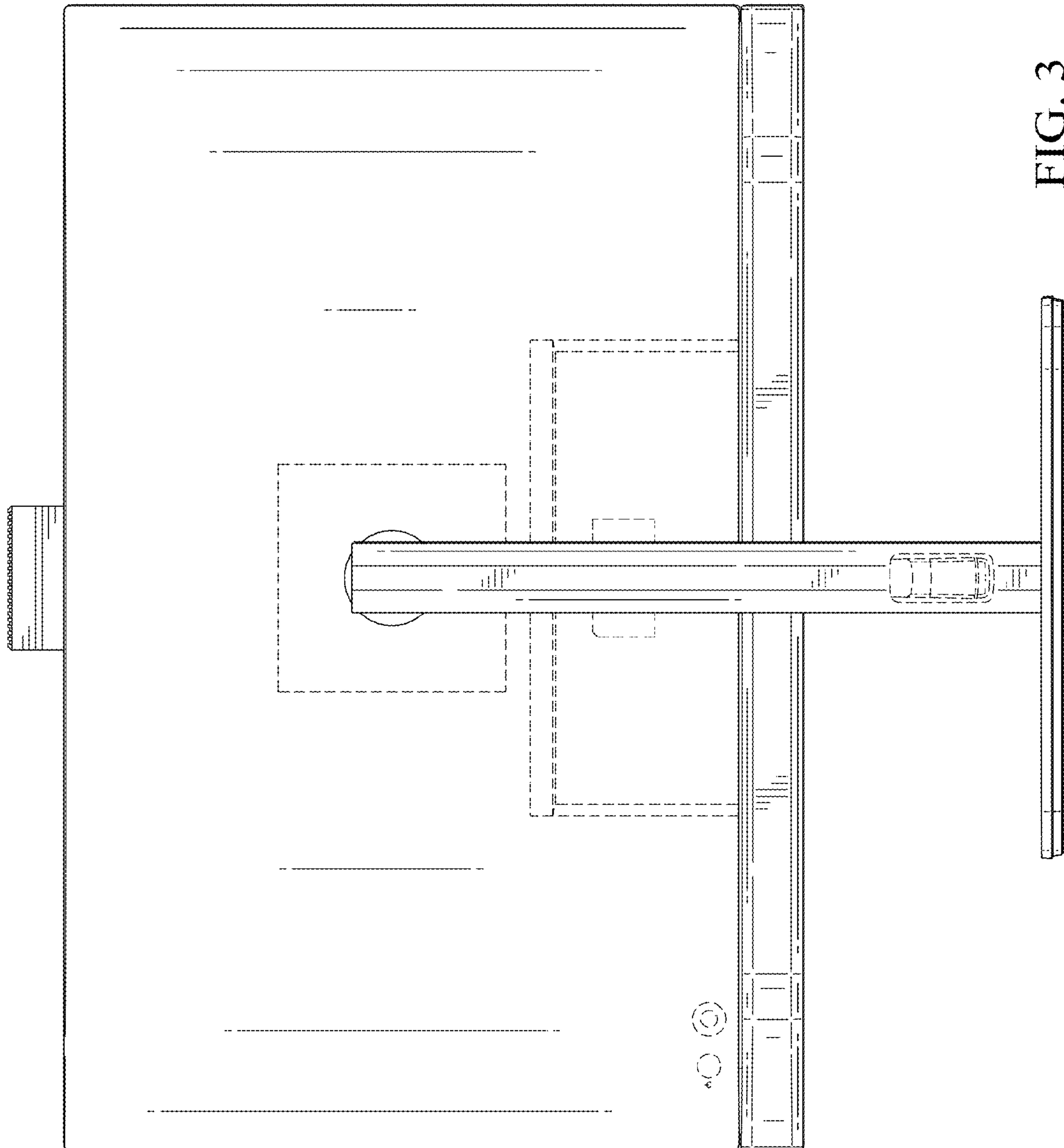


FIG. 3

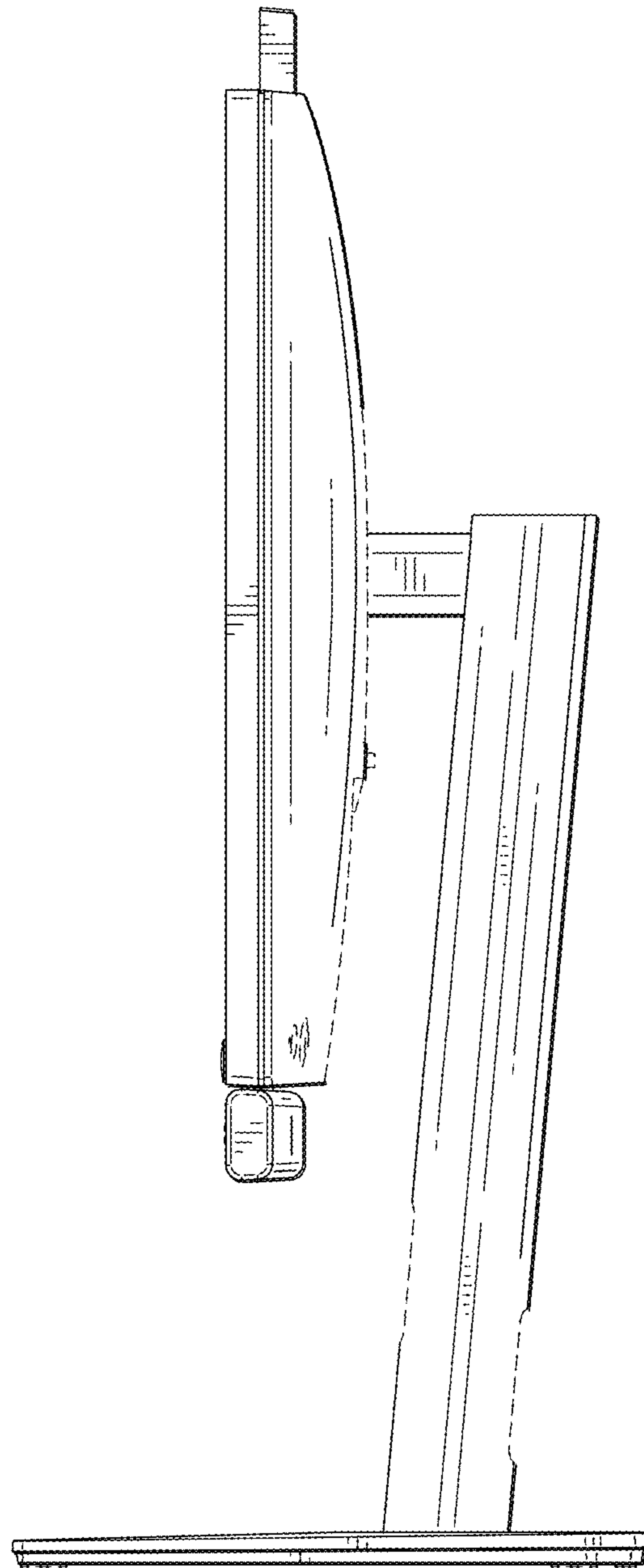


FIG. 4

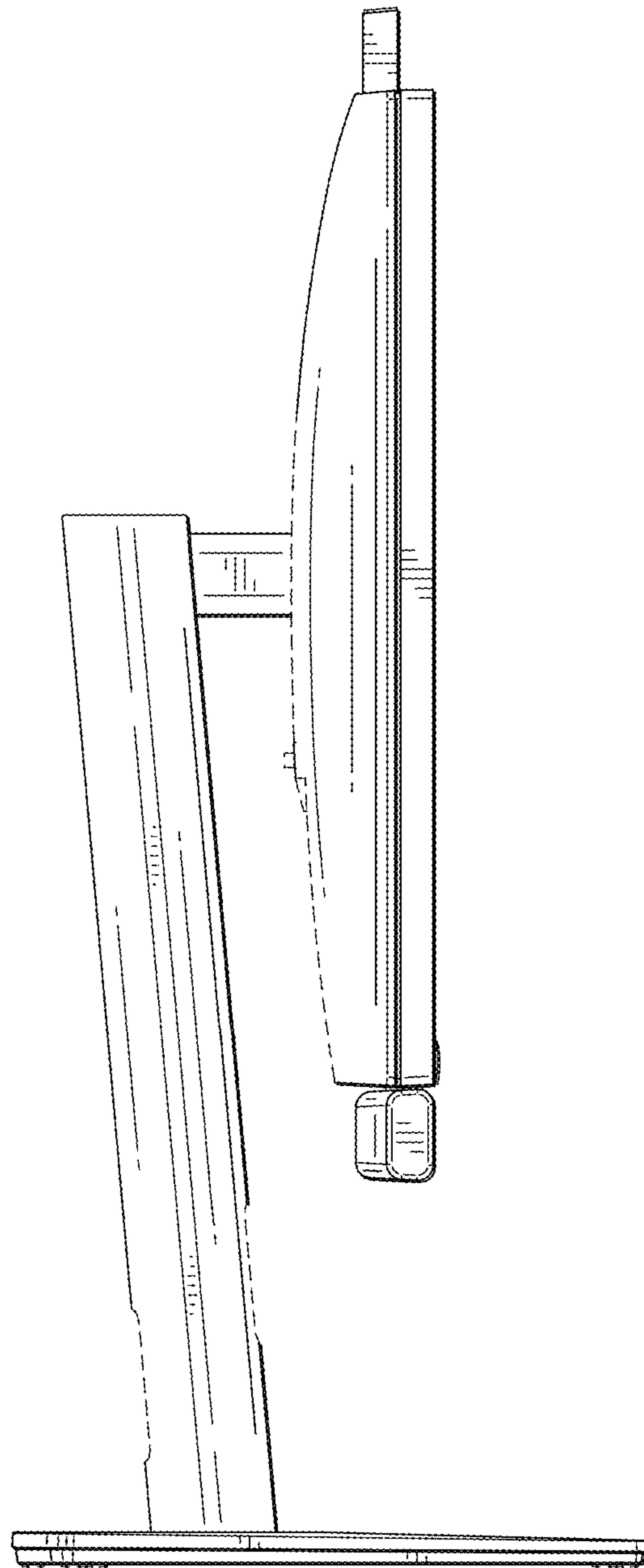


FIG. 5

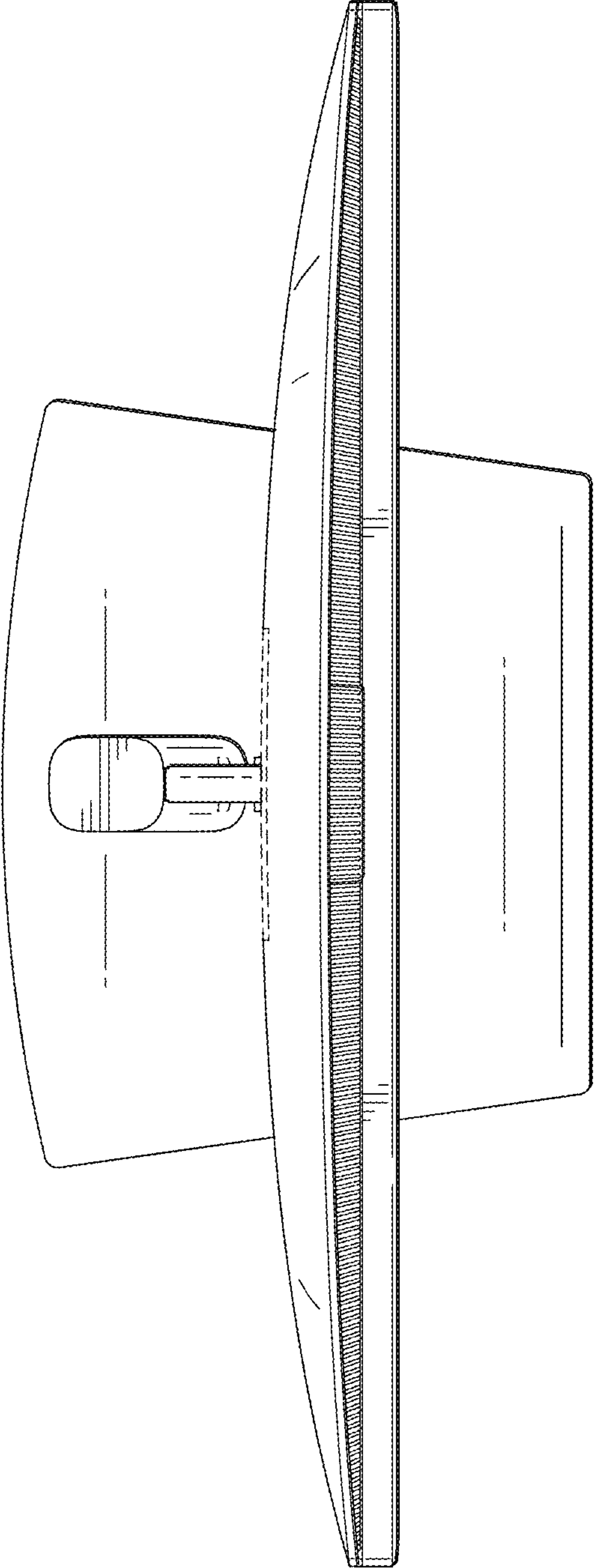


FIG. 6

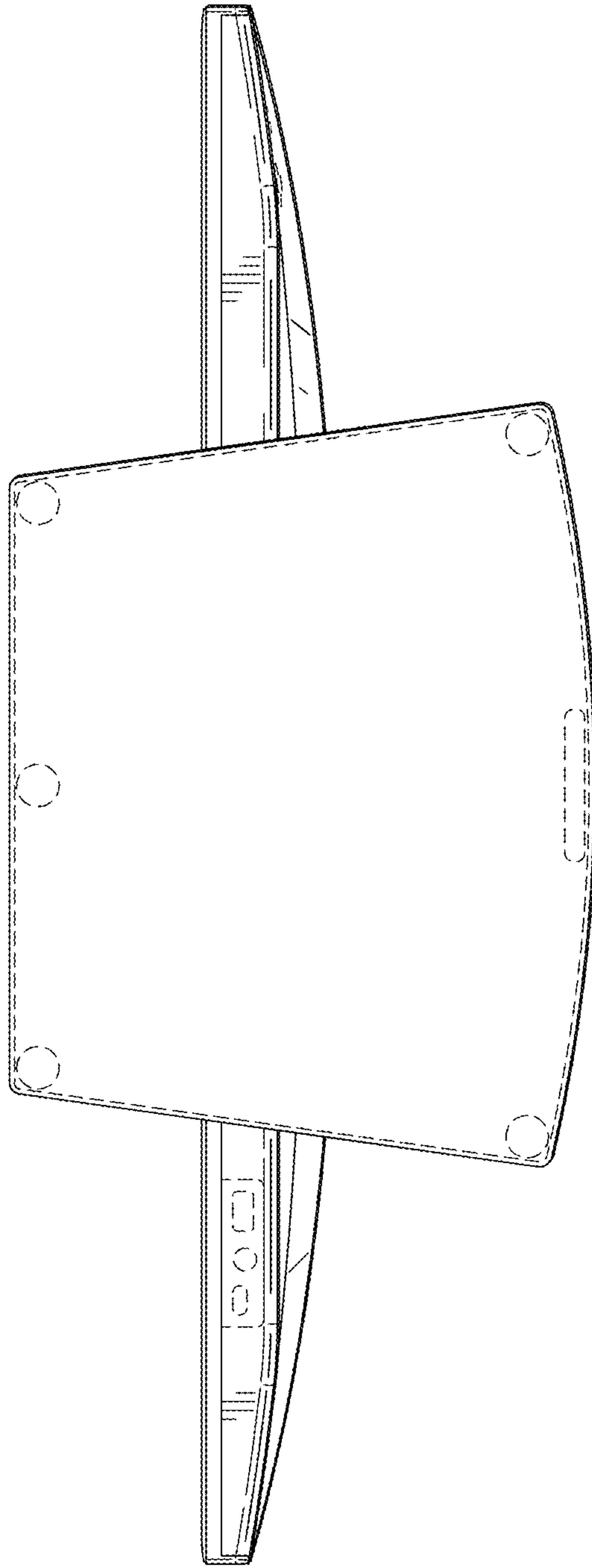


FIG. 7

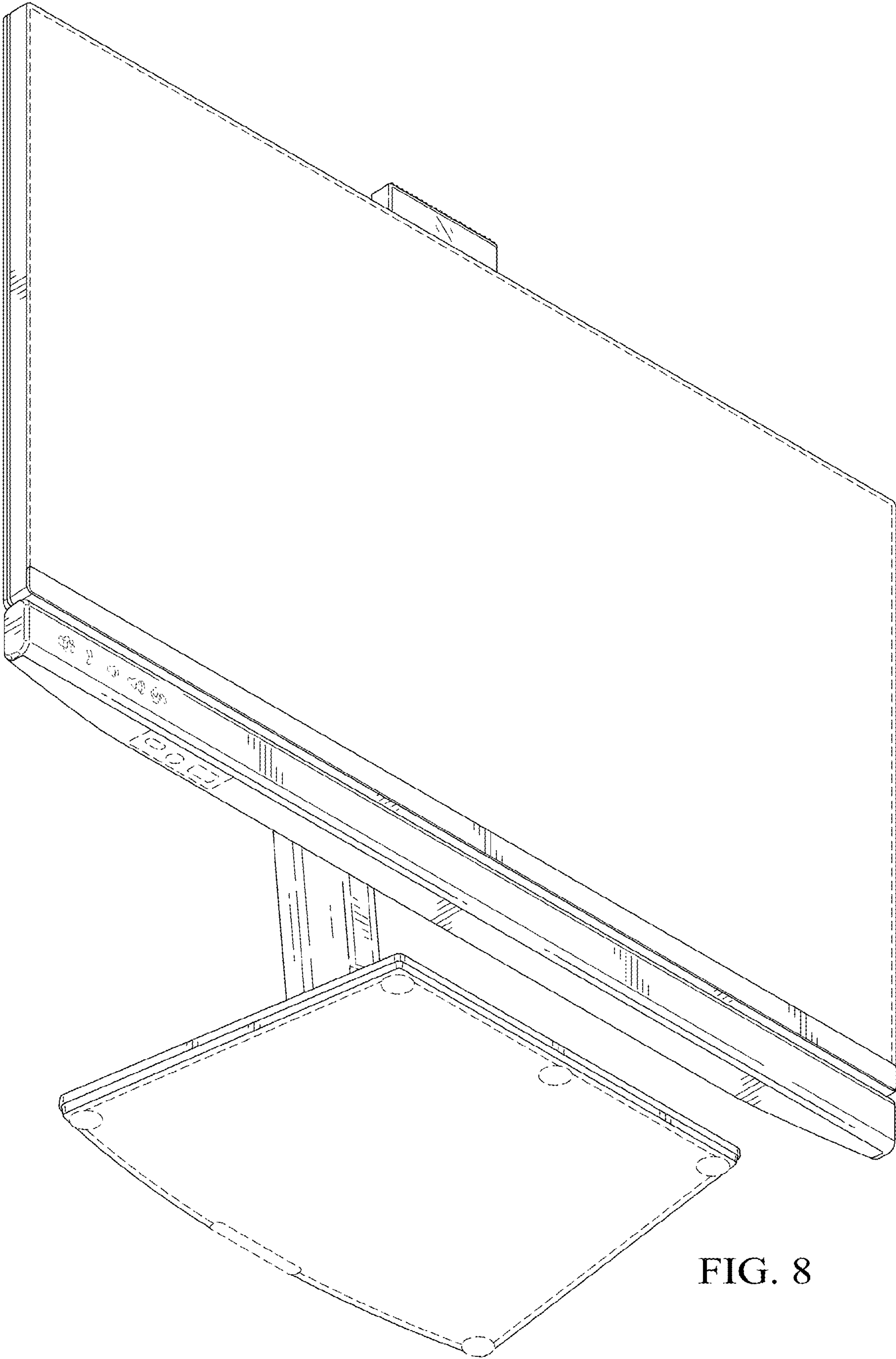


FIG. 8