



US00D972558S

(12) **United States Design Patent** (10) **Patent No.:** **US D972,558 S**
Parfitt et al. (45) **Date of Patent:** **** Dec. 13, 2022**

(54) **DISPLAY DEVICE**

1/133308; G02F 1/134309; G02F 1/13718; G09G 3/3648; G06K

(71) Applicant: **META PLATFORMS TECHNOLOGIES, LLC**, Menlo Park, CA (US)

(Continued)

(72) Inventors: **Benjamin John Parfitt**, Lake Forest Park, WA (US); **Tyler Back**, San Francisco, CA (US); **Peter Wesley Bristol**, Seattle, WA (US); **Oliver Ross**, Seattle, WA (US); **Nicolas Pedro Lylyk**, Sunnyvale, CA (US); **Stefan Ahldor Kowalski**, Los Gatos, CA (US); **Joel Emmanuel Torres Diaz**, Ben Lomond, CA (US); **Zihui Zhang**, Cupertino, CA (US); **Shannon X Yang**, Sunnyvale, CA (US)

(56) **References Cited**

U.S. PATENT DOCUMENTS

2,256,637 A * 9/1941 Anderson H01R 43/058
439/877
4,484,158 A * 11/1984 Roberts H03H 9/1014
29/25.35

(Continued)

OTHER PUBLICATIONS

Bristol et al., "Display Device", U.S. Appl. No. 29/698,234, filed Jul. 15, 2019, 86 pages.

(Continued)

Primary Examiner — Katie Jane Stofko

(74) *Attorney, Agent, or Firm* — FisherBroyles, LLP

(73) Assignee: **Meta Platforms Technologies, LLC**, Menlo Park, CA (US)

(**) Term: **15 Years**

(57) **CLAIM**

The ornamental design for a display device, as shown and described.

(21) Appl. No.: **29/762,029**

(22) Filed: **Dec. 14, 2020**

(51) **LOC (13) Cl.** **14-02**

(52) **U.S. Cl.**

USPC **D14/371**

(58) **Field of Classification Search**

USPC D14/371-382, 125-129, 336, 337, D14/447-452, 492, 335, 239, 457, D14/439-441, 432, 251-253; D8/349, D8/354, 363, 373, 376, 380; D21/333; D12/415; D3/218; 348/180, 184, 325, 348/739, 825

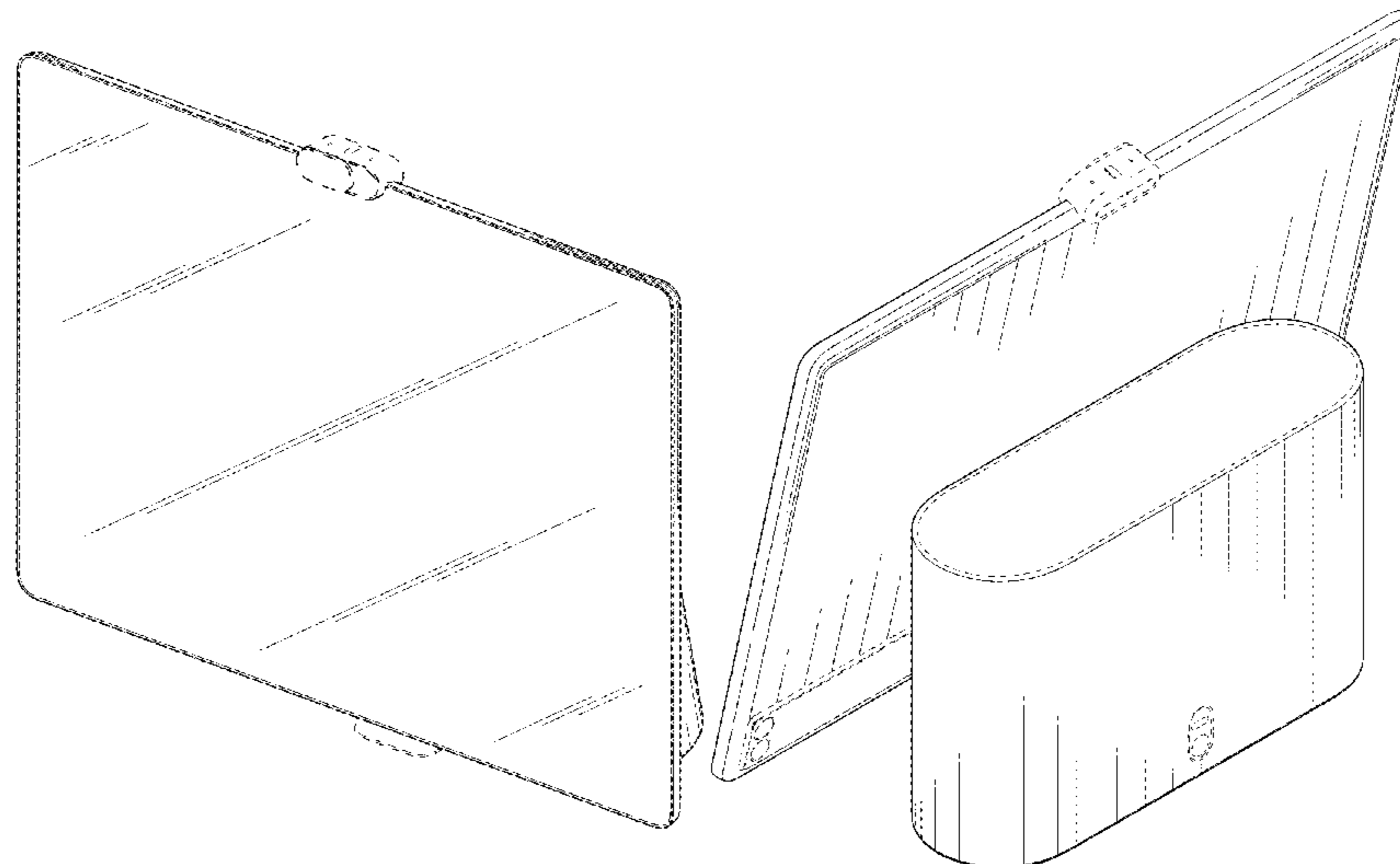
CPC G06F 3/0412; G06F 3/016; G06F 3/0488; G06F 3/011; G06F 3/038; G06F 3/03543; G06F 3/0338; G06F 3/0202; G06F 3/0219; G06F 3/0213; G06F 1/1616; G06F 3/023; G06F 3/04883; G02F 1/13338; G02F 1/1313; G02F 1/1333; G02F 1/135; G02F 1/132; G02F

DESCRIPTION

FIG. 1 is a front perspective view of a display device showing the claimed design;
FIG. 2 is a rear perspective view thereof;
FIG. 3 is a front view thereof;
FIG. 4 is a rear view thereof;
FIG. 5 is a left side view thereof;
FIG. 6 is a right side view thereof;
FIG. 7 is a top view thereof; and,
FIG. 8 is a bottom view thereof.

The broken lines shown in the figures illustrate portions of the display device that form no part of the claimed design. The oblique shade lines in the figures show a transparent, reflective, or shiny surface, and not surface ornamentation.

1 Claim, 6 Drawing Sheets



(58) **Field of Classification Search**

CPC .. 15/1252; B41J 2/465; G03F 7/70291; G02B 27/0172; G02B 5/30; G02B 2027/0118; G02B 27/0101; F16M 13/02; F16M 13/00; F16M 11/10; F16M 11/04; F16M 2200/08; F16M 11/2021; A47B 21/0314; A47B 88/044; A47B 2021/0335; H02G 3/126; F16B 47/00; F16B 47/006; A47G 1/17; A47K 2201/00

See application file for complete search history.

D808,192	S	*	1/2018	Adam	D6/552
D831,479	S	*	10/2018	Lylyk	D9/432
D838,254	S	*	1/2019	McManigal	D14/204
D883,244	S	*	5/2020	Kim	D14/129
10,863,268	B1		12/2020	Torigoe et al.		
D907,639	S	*	1/2021	Wu	D14/447
D910,749	S	*	2/2021	Stevens	D19/91
D911,960	S	*	3/2021	Le	D13/110
D924,299	S	*	7/2021	Gartrell	D16/202
D928,945	S	*	8/2021	Ajaelo	D24/115
D936,651	S	*	11/2021	Sefic	D14/371
D938,159	S	*	12/2021	Youn	D3/273
D940,777	S	*	1/2022	Gartrell	D16/202
D941,685	S	*	1/2022	Carpenter	D9/430

(56) **References Cited**

U.S. PATENT DOCUMENTS

5,200,280	A	*	4/1993	Karasa	H01M 6/44 429/100
5,284,659	A	*	2/1994	Cherukuri	A23L 27/72 424/435
5,572,082	A	*	11/1996	Sokol	H03H 9/56 333/192
6,309,717	B1	*	10/2001	Qiu	B32B 29/00 428/34.3
6,495,282	B1	*	12/2002	Yoshida	H01M 10/625 429/96
D763,576	S	*	8/2016	Leblanc	D3/289

OTHER PUBLICATIONS

Bristol et al., "Display Device", U.S. Appl. No. 29/703,624, filed Aug. 28, 2019, 41 pages.
 Bristol et al., "Media Device Including Display and Power-Delivery Mechanism with Integrated Stand", U.S. Appl. No. 16/574,998, filed Sep. 18, 2019, 76 pages.
 Bristol et al., "Interactive Display System with Multifunctional Privacy Switch", U.S. Appl. No. 16/574,988, filed Sep. 18, 2019, 66 pages.

* cited by examiner

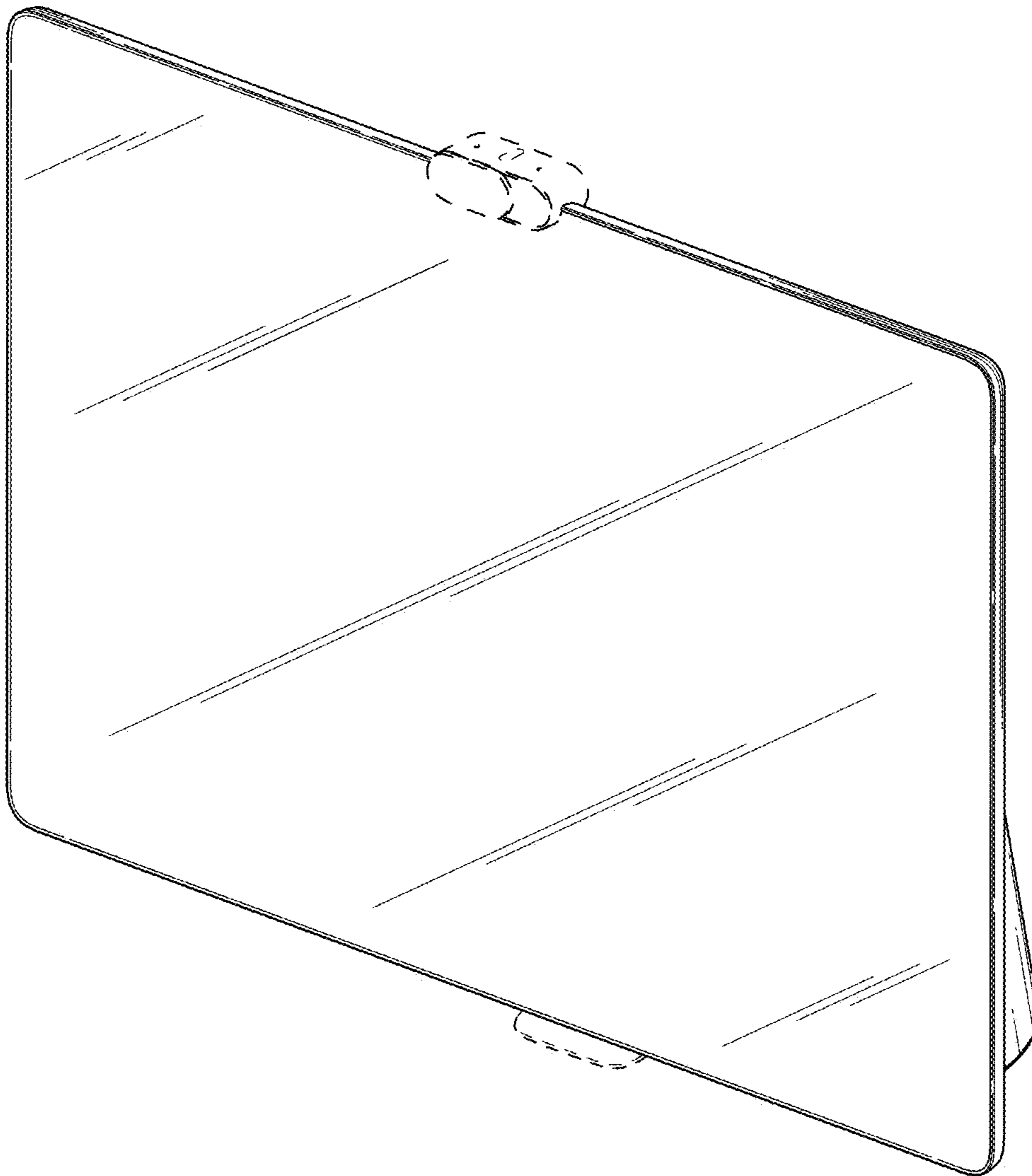


FIG. 1

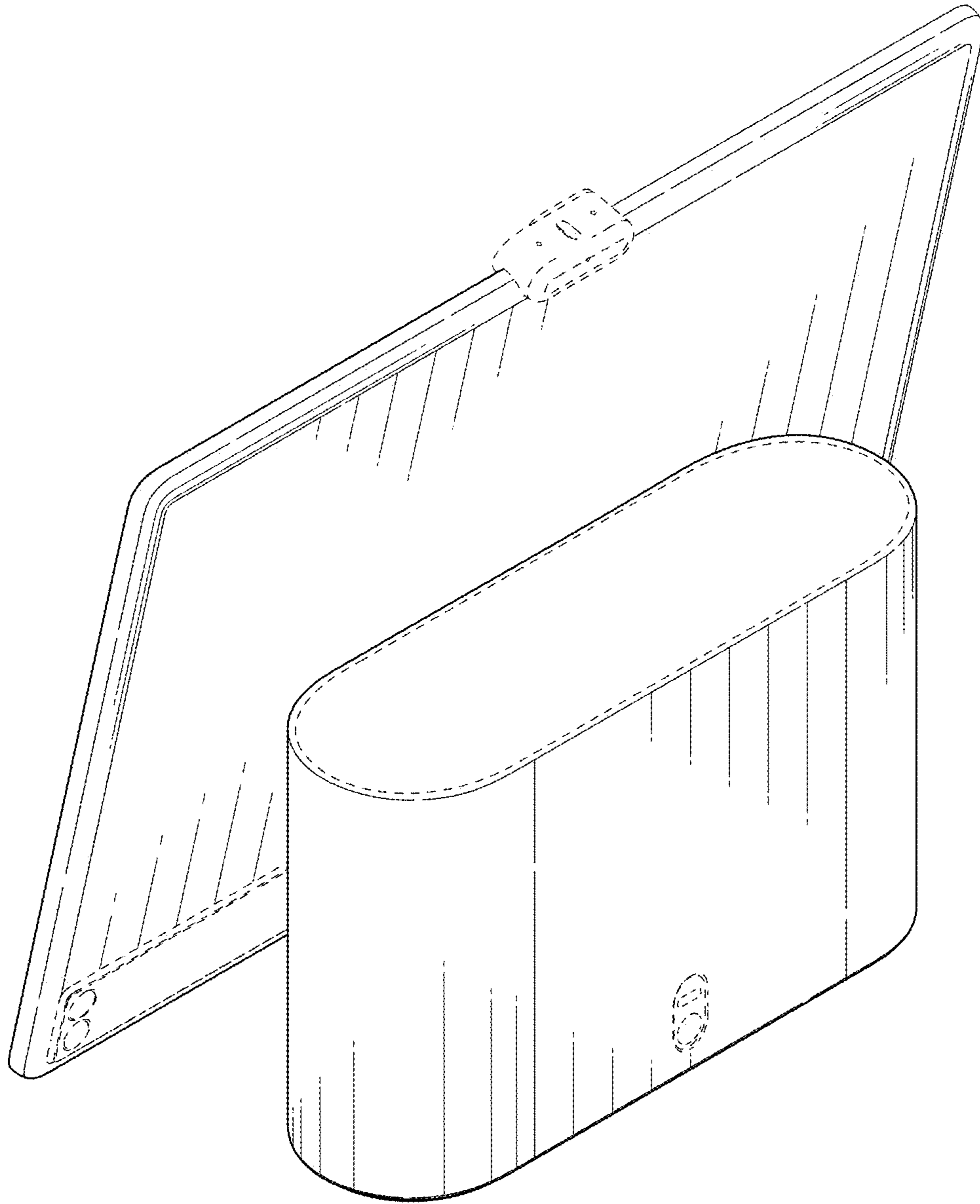


FIG. 2

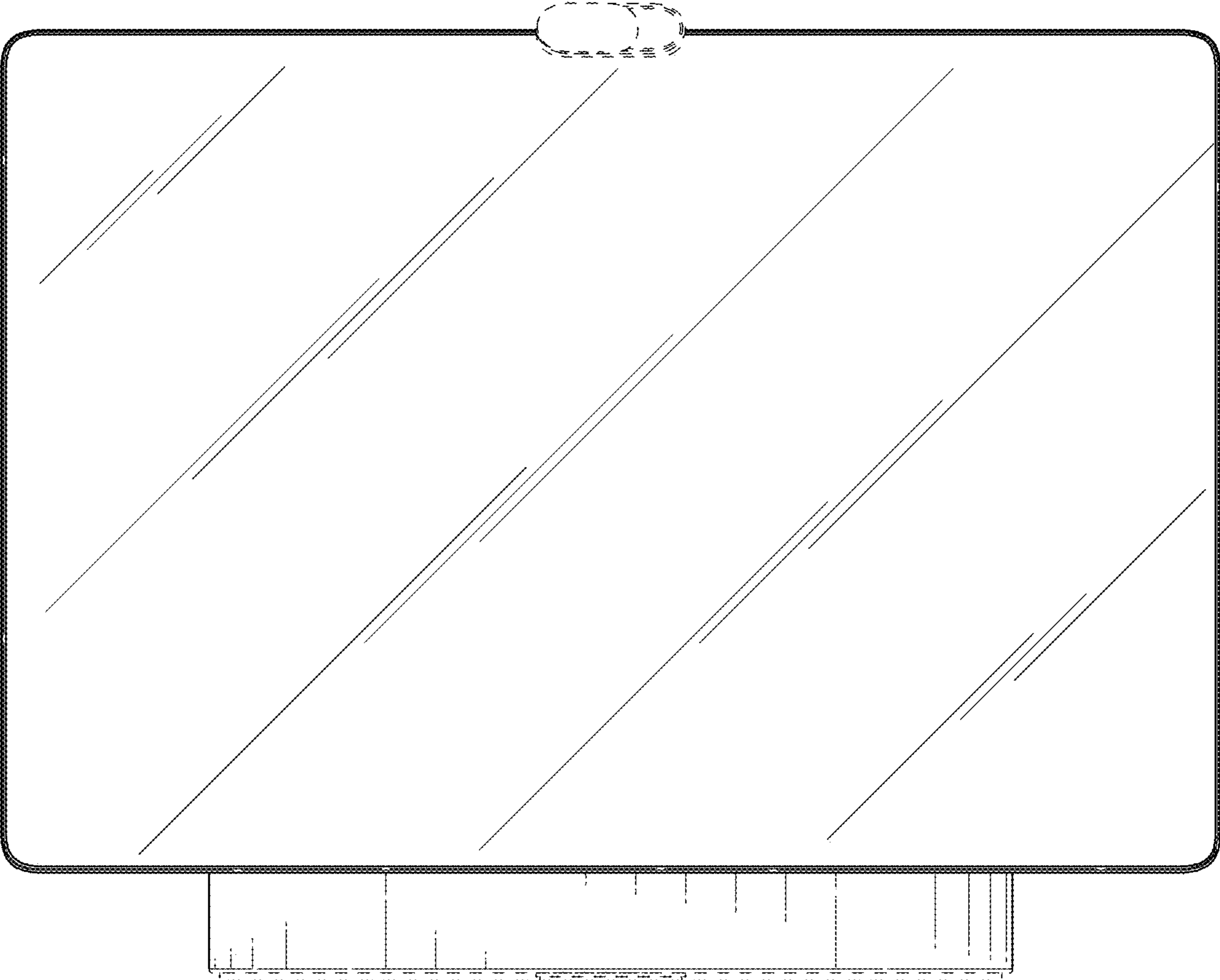


FIG. 3

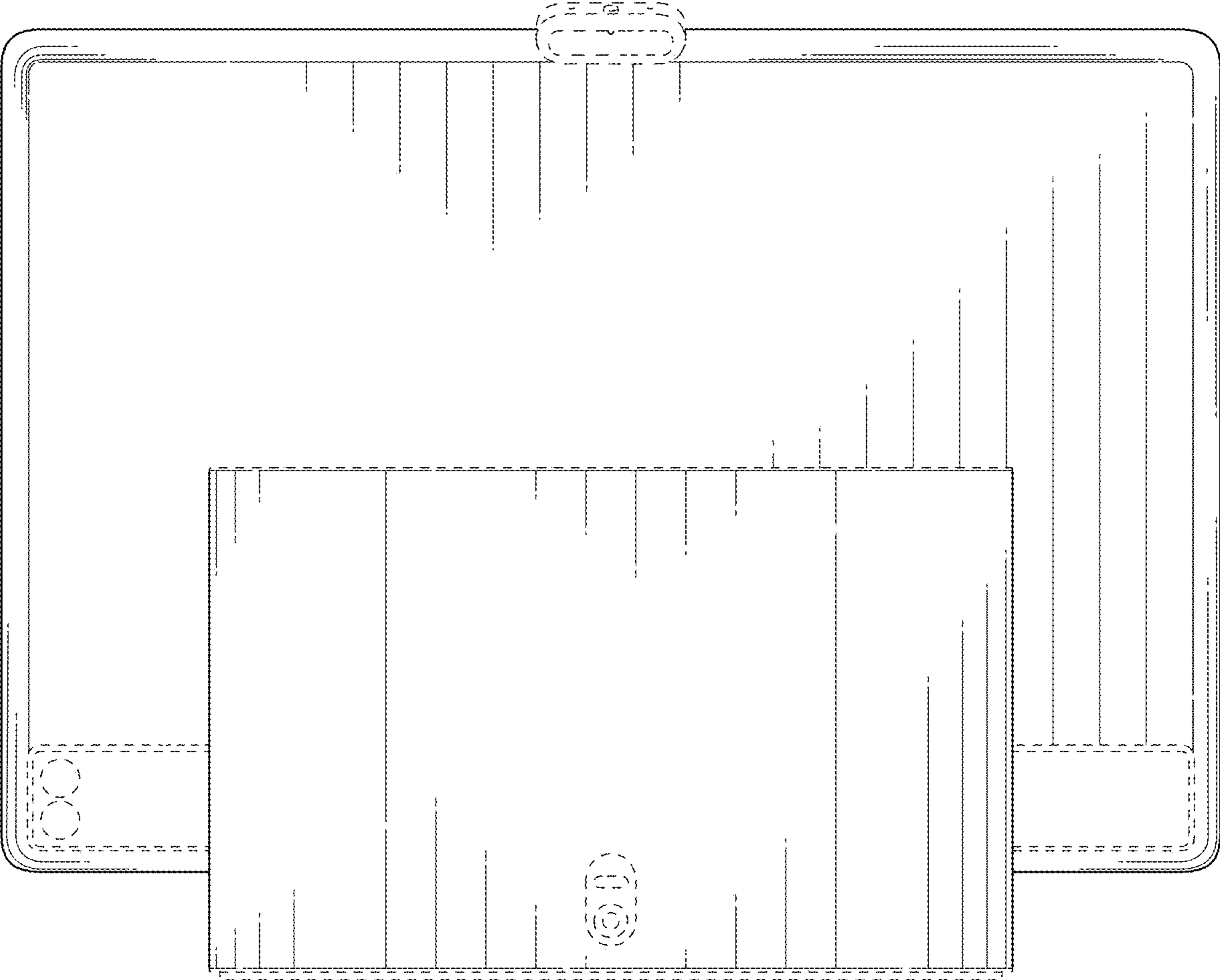


FIG. 4

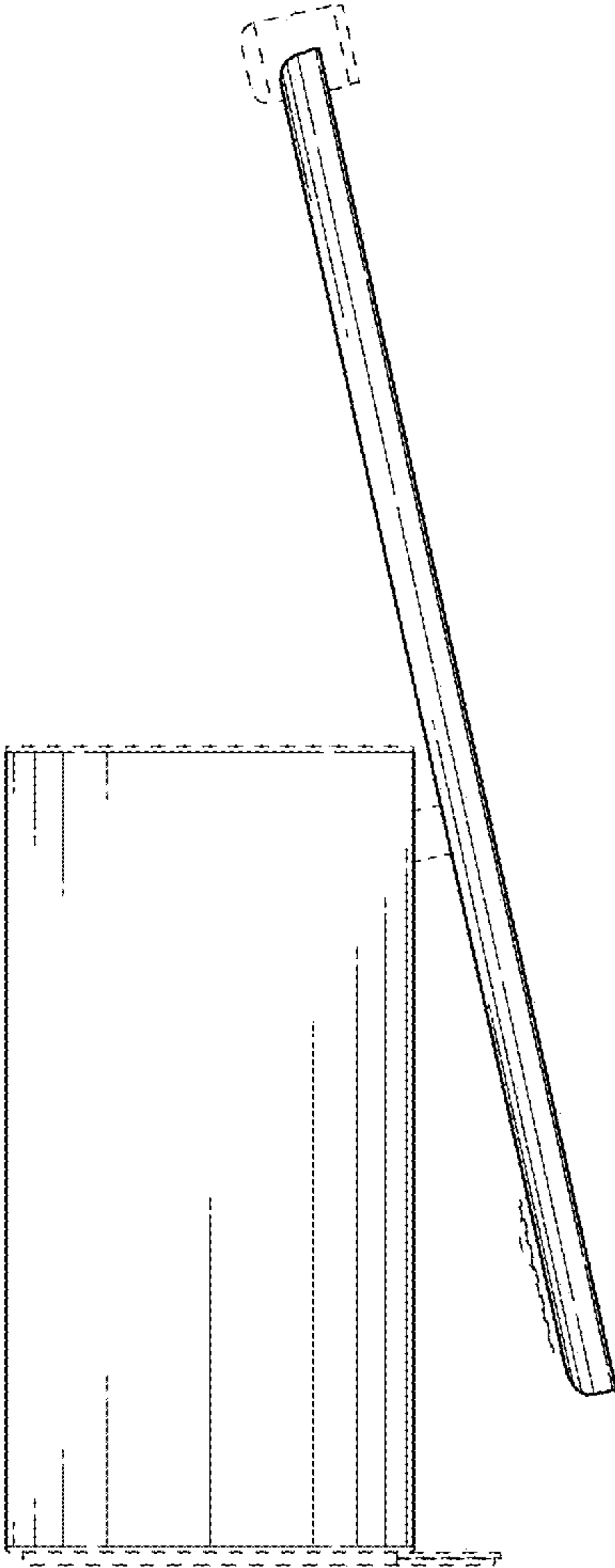


FIG. 5

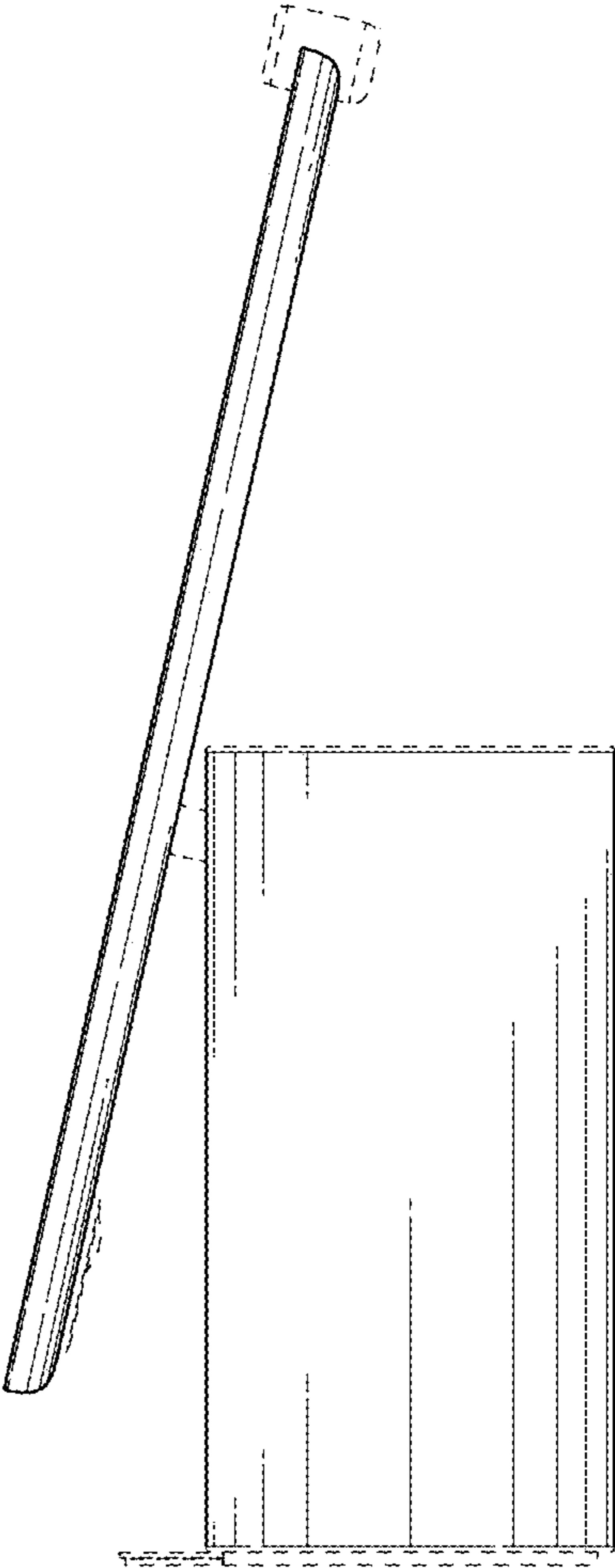


FIG. 6

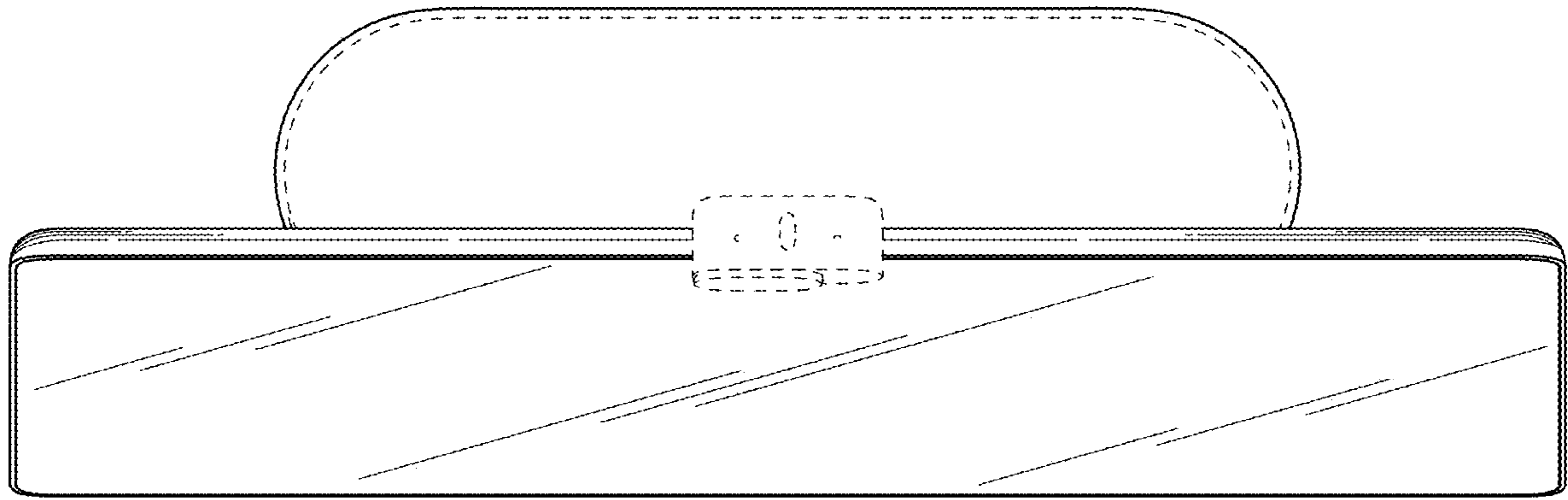


FIG. 7

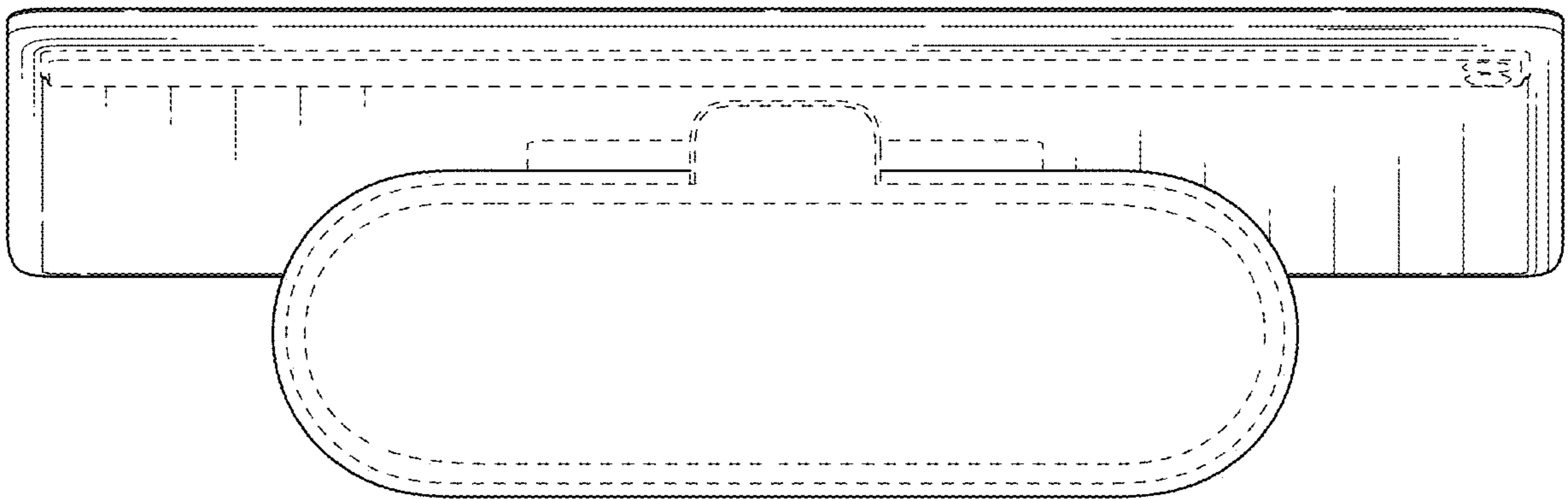


FIG. 8