



US00D972557S

(12) **United States Design Patent**  
**Deng**

(10) **Patent No.:** **US D972,557 S**

(45) **Date of Patent:** **\*\* Dec. 13, 2022**

(54) **RADIATOR CASE**

(71) Applicant: **WuAi Information Technology (Shanghai) Co., Ltd., Shanghai (CN)**

(72) Inventor: **Hanhua Deng, Shanghai (CN)**

(\*\*) Term: **15 Years**

(21) Appl. No.: **29/812,966**

(22) Filed: **Oct. 26, 2021**

(51) **LOC (13) Cl.** ..... **14-02**

(52) **U.S. Cl.**  
USPC ..... **D14/349; D14/440; D14/314**

(58) **Field of Classification Search**  
USPC ..... D14/349, 348, 300, 314, 440, 439  
CPC ..... H05K 5/0213; H01R 13/72  
See application file for complete search history.

(56) **References Cited**

**U.S. PATENT DOCUMENTS**

D453,558 S	2/2002	Segawa et al.	
D468,418 S	1/2003	Ilicic	
7,025,627 B2 *	4/2006	Rosenthal	H01R 13/72 439/142
D614,619 S *	4/2010	Haase	D14/349
D763,246 S *	8/2016	Jasinski	D14/300
D797,730 S *	9/2017	Lai	D14/349
D798,295 S *	9/2017	Lai	D14/349
D814,461 S *	4/2018	Latto	D14/349
D879,790 S *	3/2020	Donachy	D14/444
D886,085 S	6/2020	Ju et al.	
D895,608 S *	9/2020	Akana	D14/314

D914,015 S *	3/2021	Ootori	D14/353
D914,665 S *	3/2021	Mimlitch, III	D14/300
D919,614 S	5/2021	Huang et al.	
D927,481 S *	8/2021	Lin	D13/184
D934,870 S *	11/2021	Draca	D14/444
D939,497 S *	12/2021	Huang	D14/314
D944,243 S *	2/2022	Chu	D14/349
D944,244 S *	2/2022	Chu	D14/349
D944,352 S *	2/2022	Yeates	D22/108
D955,383 S *	6/2022	Lin	D14/440
D956,766 S *	7/2022	Wei	D14/440
D964,344 S *	9/2022	Fu	D14/313
2021/0068269 A1 *	3/2021	Wardlow	H05K 5/0213

\* cited by examiner

*Primary Examiner* — Cynthia R Underwood

(74) *Attorney, Agent, or Firm* — Rumit Ranjit Kanakia

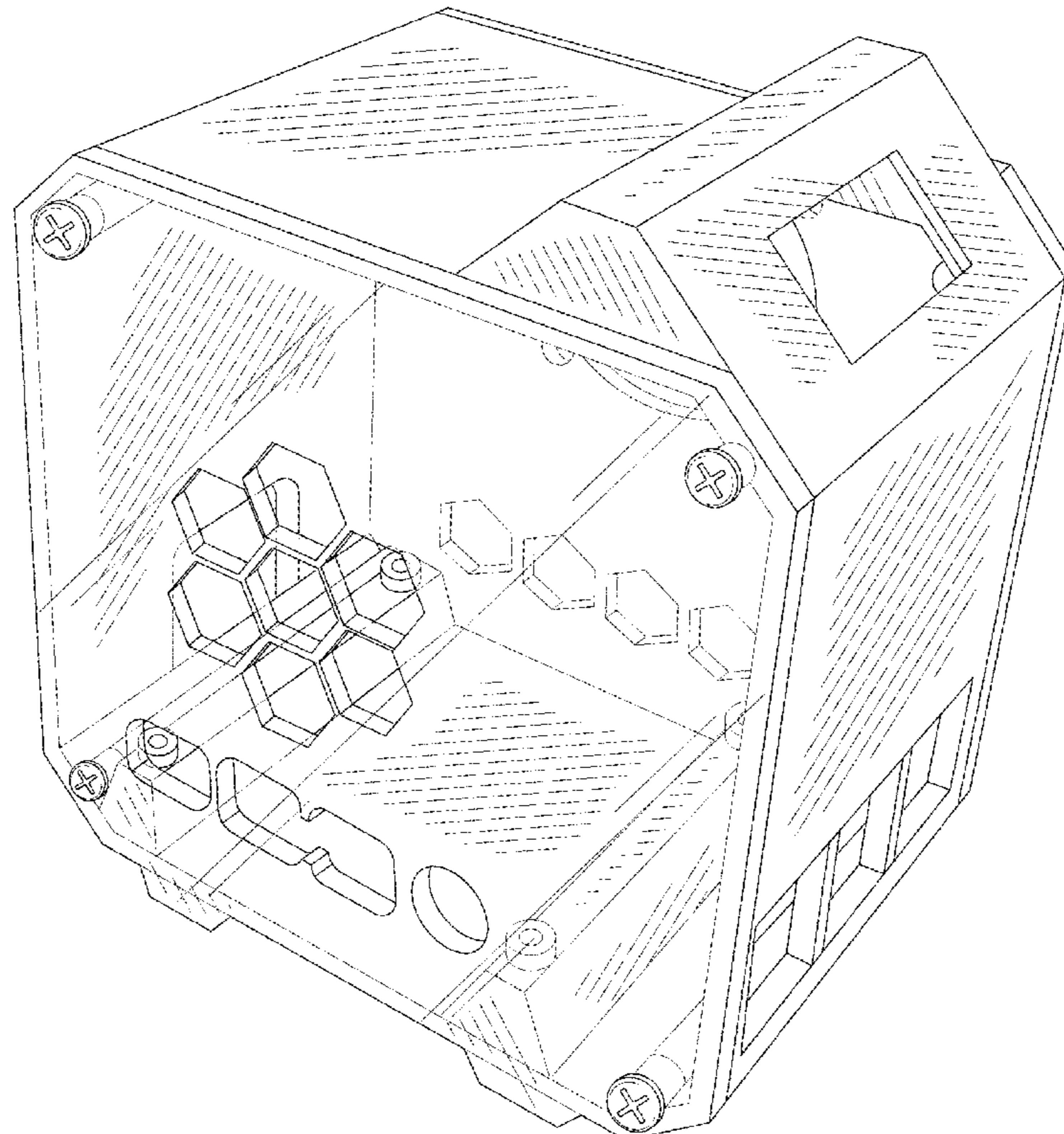
(57) **CLAIM**

I claim the ornamental design for a radiator case, as shown and described.

**DESCRIPTION**

FIG. 1 is a Perspective view of a radiator case showing my new design;  
FIG. 2 is a Front view thereof;  
FIG. 3 is a Back view thereof;  
FIG. 4 is a Right-side view thereof;  
FIG. 5 is a Left-side view thereof;  
FIG. 6 is a Top view thereof; and,  
FIG. 7 is a Bottom view thereof.

**1 Claim, 7 Drawing Sheets**



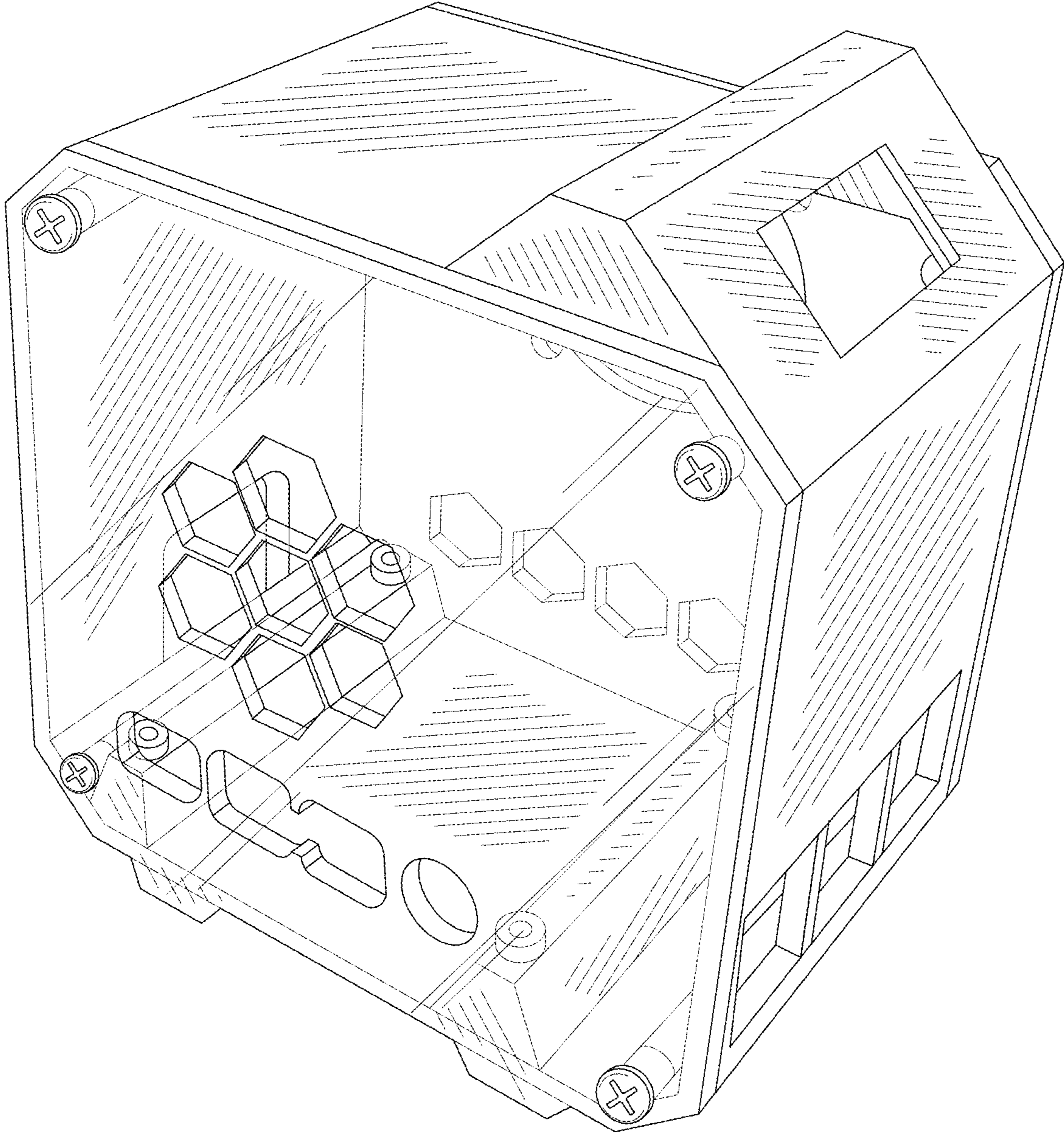


FIG. 1



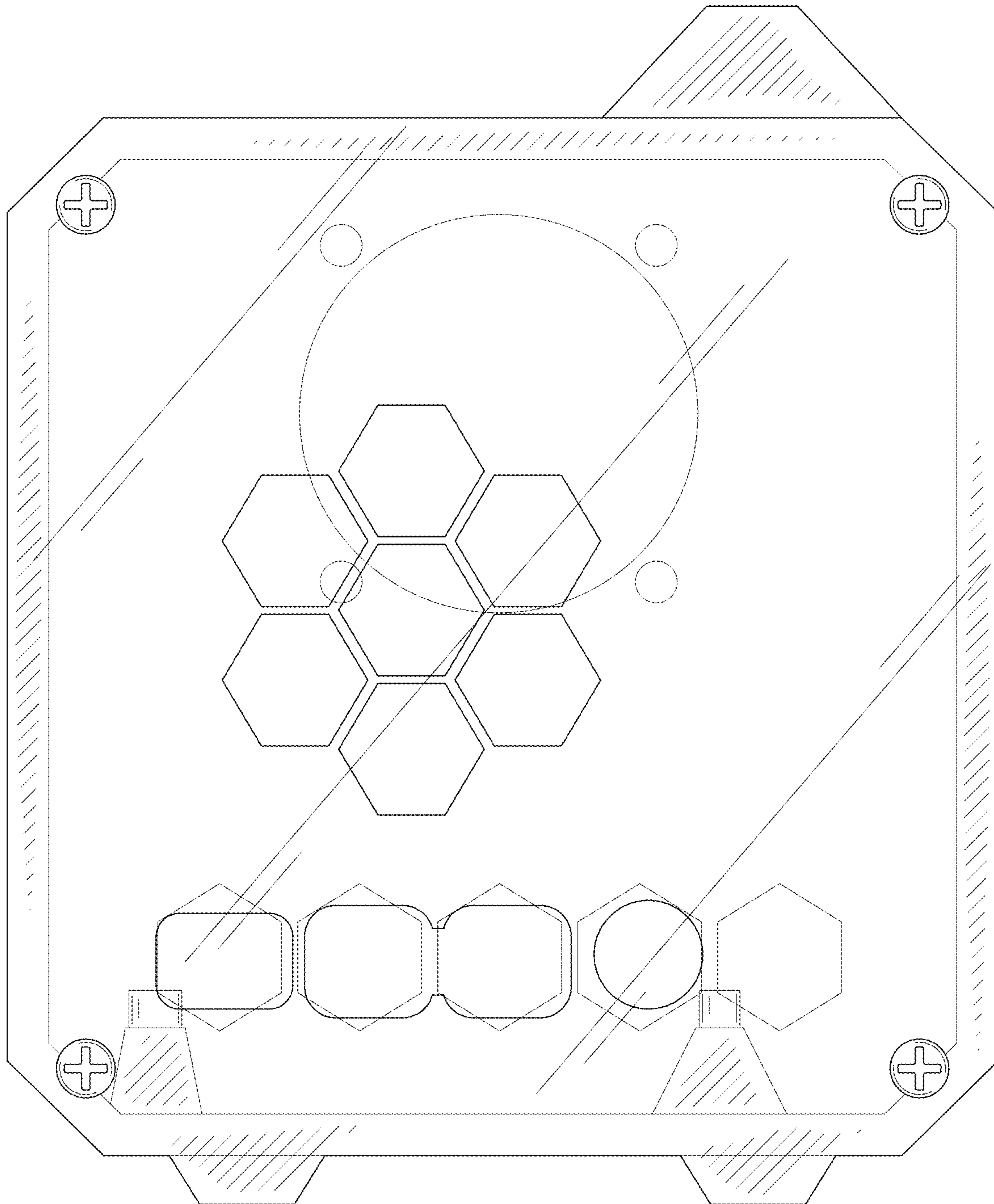


FIG. 2

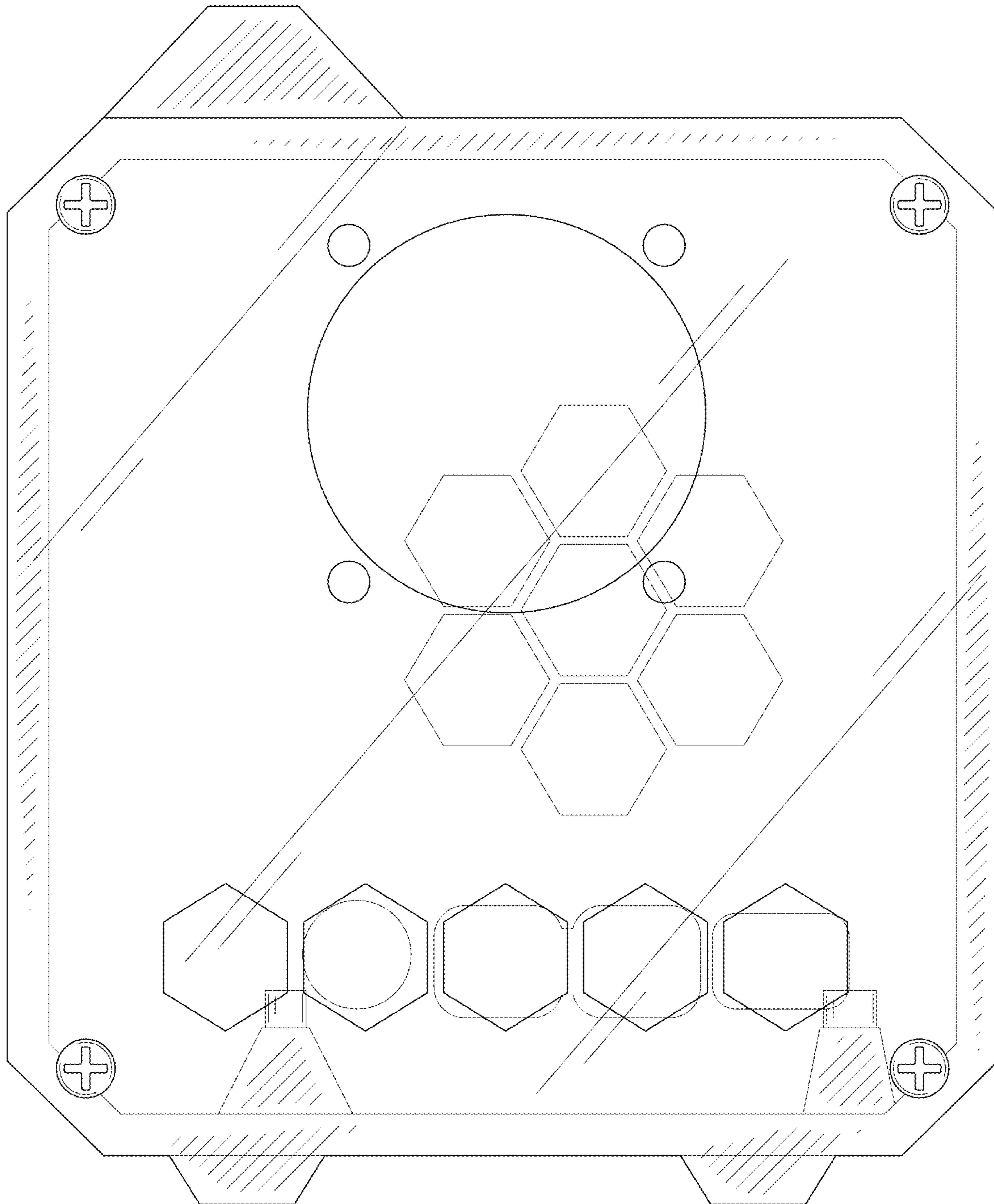


FIG. 3

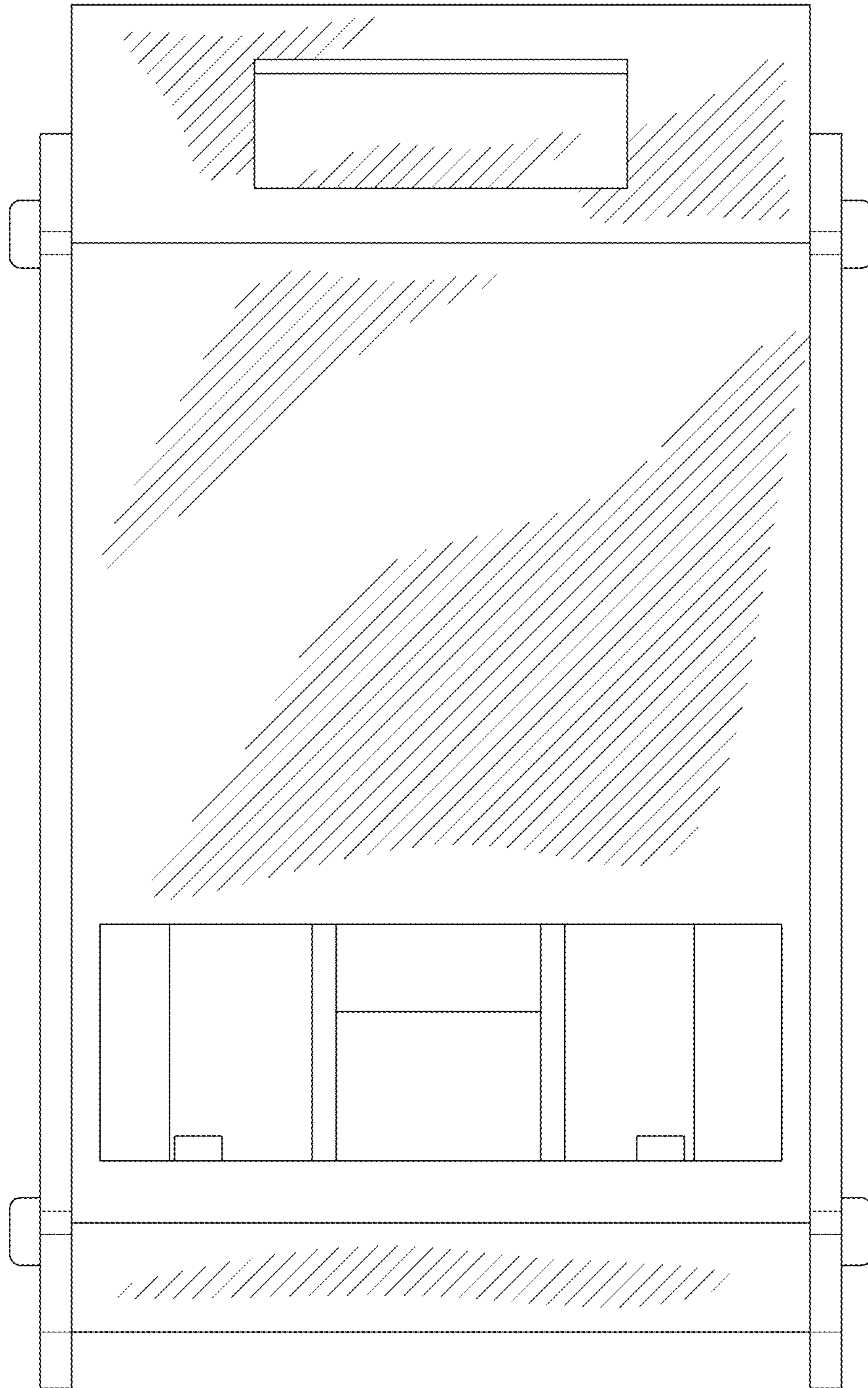


FIG. 4

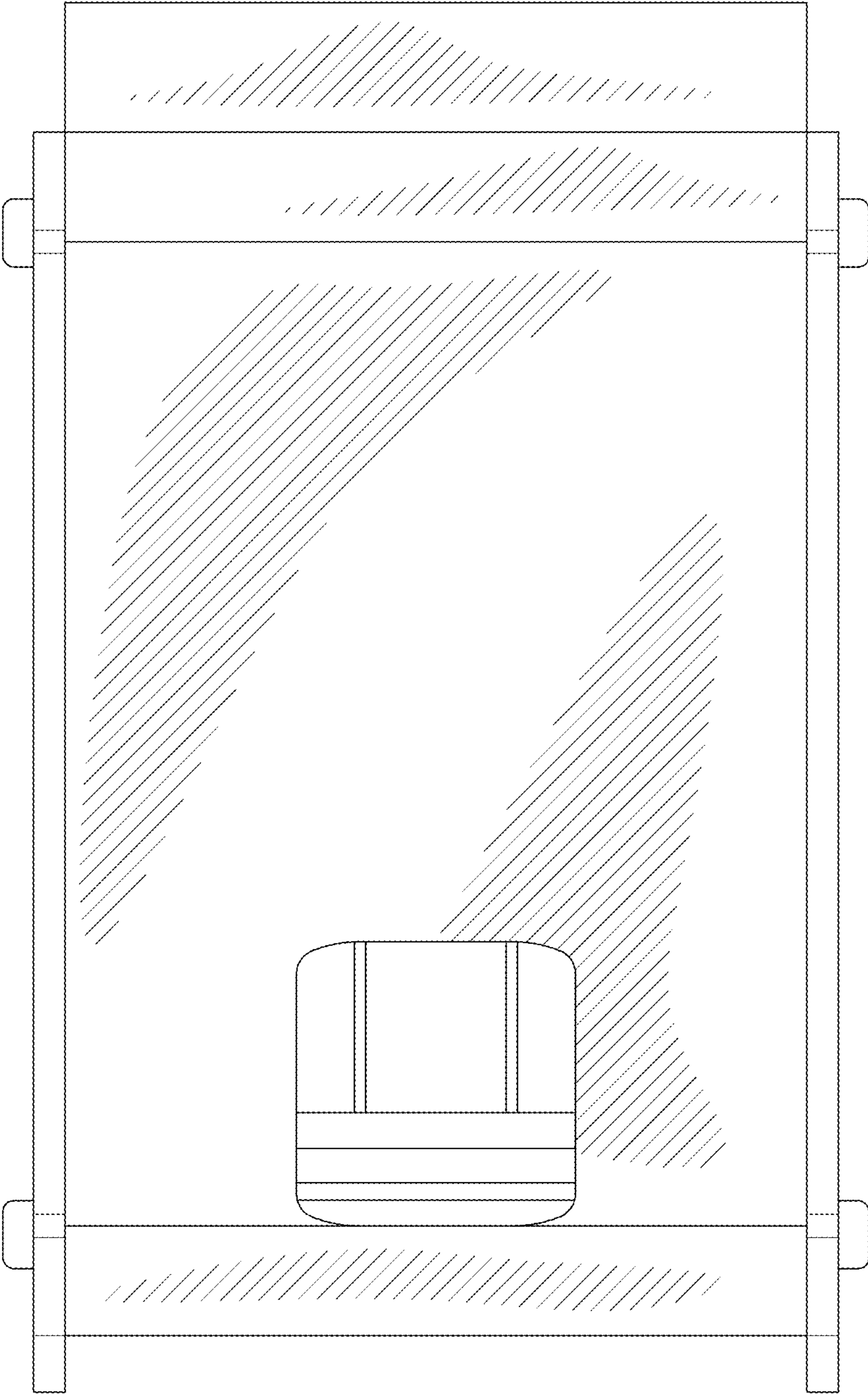


FIG. 5



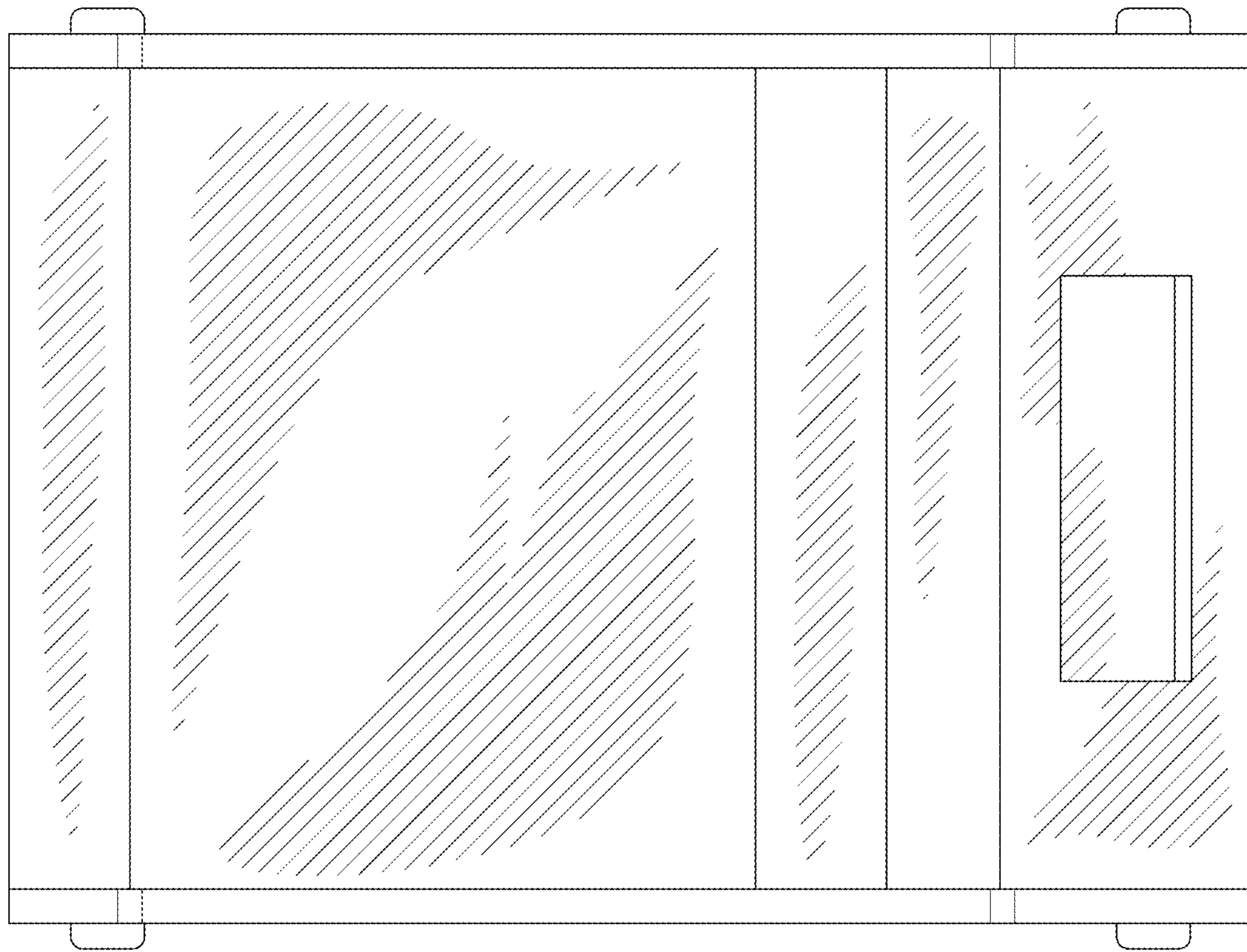


FIG. 6

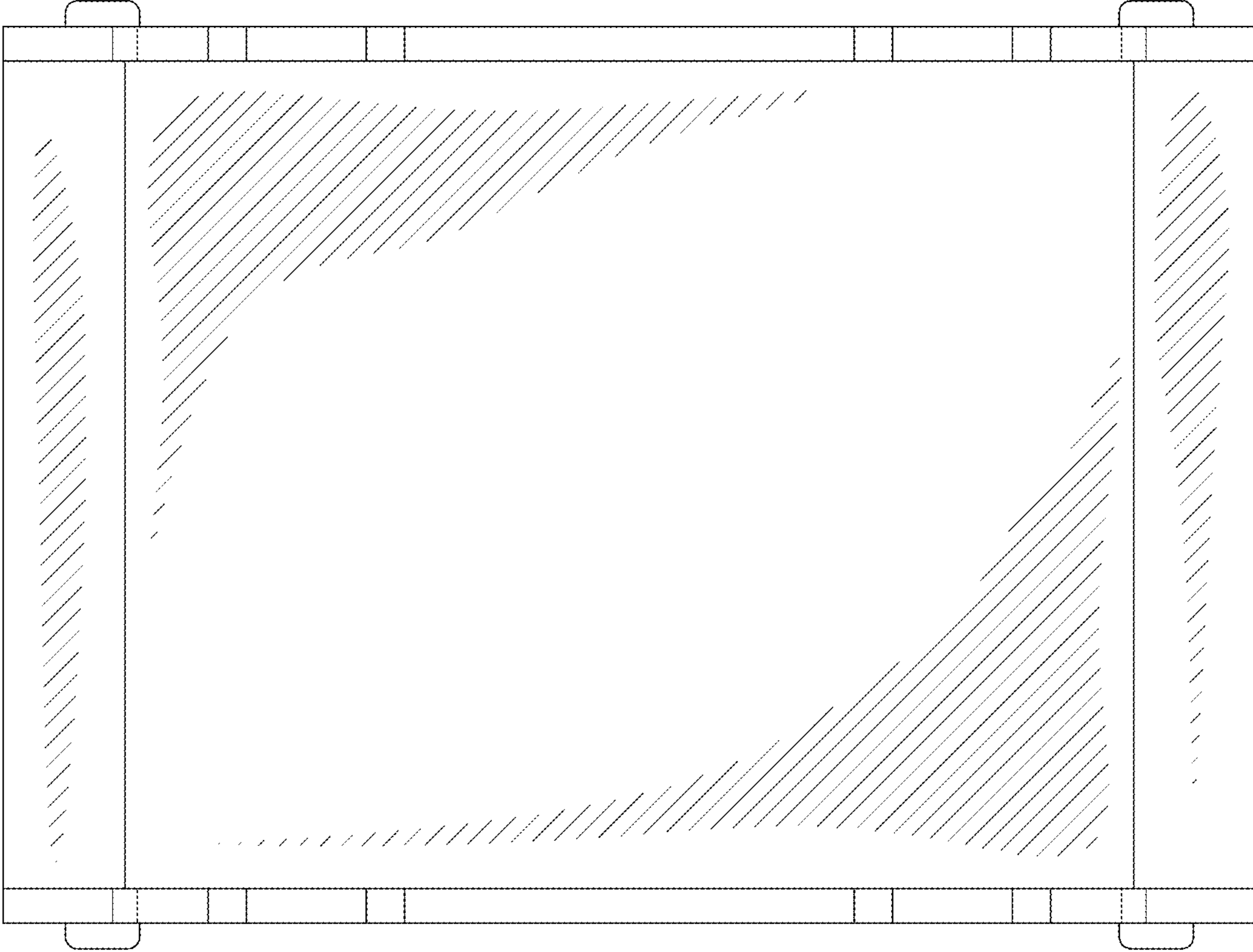


FIG. 7