



US00D972556S

(12) **United States Design Patent** (10) **Patent No.:** **US D972,556 S**  
**Akana et al.** (45) **Date of Patent:** **\*\* Dec. 13, 2022**

(54) **ELECTRONIC DEVICE**

(71) Applicant: **Apple Inc.**, Cupertino, CA (US)

(72) Inventors: **Jody Akana**, San Francisco, CA (US); **Molly Anderson**, San Francisco, CA (US); **Bartley K. Andre**, Palo Alto, CA (US); **Shota Aoyagi**, San Francisco, CA (US); **Anthony Michael Ashcroft**, San Francisco, CA (US); **Marine C. Bataille**, San Francisco, CA (US); **Jeremy Bataillou**, San Francisco, CA (US); **Abidur Rahman Chowdhury**, San Francisco, CA (US); **Clara Geneviève Marine Courtaigne**, Palo Alto, CA (US); **Markus Diebel**, San Francisco, CA (US); **Jonathan Gomez Garcia**, San Francisco, CA (US); **M. Evans Hankey**, San Francisco, CA (US); **Richard P. Howarth**, San Francisco, CA (US); **Jonathan P. Ive**, San Francisco, CA (US); **Julian Jaede**, San Francisco, CA (US); **Duncan Robert Kerr**, San Francisco, CA (US); **Peter Russell-Clarke**, San Francisco, CA (US); **Benjamin Andrew Shaffer**, San Jose, CA (US); **Joe Sung-Ho Tan**, Vienna (AT); **Clement Tissandier**, San Francisco, CA (US); **Eugene Antony Whang**, San Francisco, CA (US)

(73) Assignee: **Apple Inc.**, Cupertino, CA (US)

(\*\*) Term: **15 Years**

(21) Appl. No.: **29/801,055**

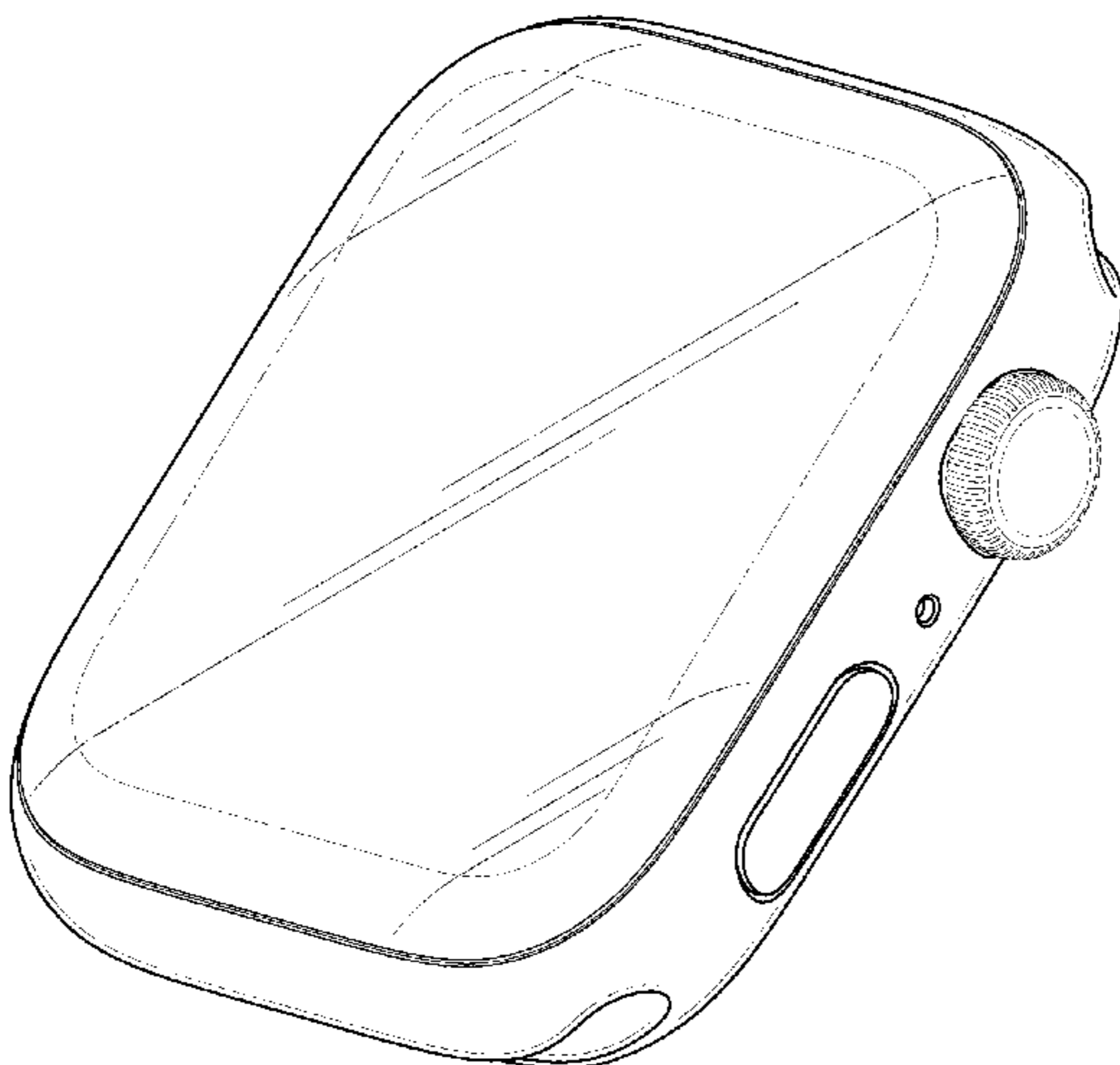
(22) Filed: **Jul. 26, 2021**

(51) **LOC (13) Cl.** ..... **14-02**

(52) **U.S. Cl.**  
USPC ..... **D14/344**

(58) **Field of Classification Search**  
USPC ... D14/138 R, 144, 341, 344, 346, 388, 389,  
D14/390; D10/30-32, 38, 70; D24/167,  
D24/186, 187

(Continued)



(56) **References Cited**

U.S. PATENT DOCUMENTS

D728,624 S 5/2015 Akana et al.  
D741,726 S 10/2015 Akana et al.

(Continued)

FOREIGN PATENT DOCUMENTS

GB 6119184 \* 2/2021  
GB 6119187 \* 2/2021

OTHER PUBLICATIONS

Apple Watch Series 6 review: faster, cheaper, still the best, www.theguardian.com, Oct. 5, 2020. <https://www.theguardian.com/technology/2020/oct/05/apple-watch-series-6-review-faster-cheaper-still-the-best> (Year: 2020).\*

(Continued)

*Primary Examiner* — Llorelys Martinez

*Assistant Examiner* — Kwabena A. Ankobiah

(74) *Attorney, Agent, or Firm* — Sterne, Kessler, Goldstein & Fox P.L.L.C.

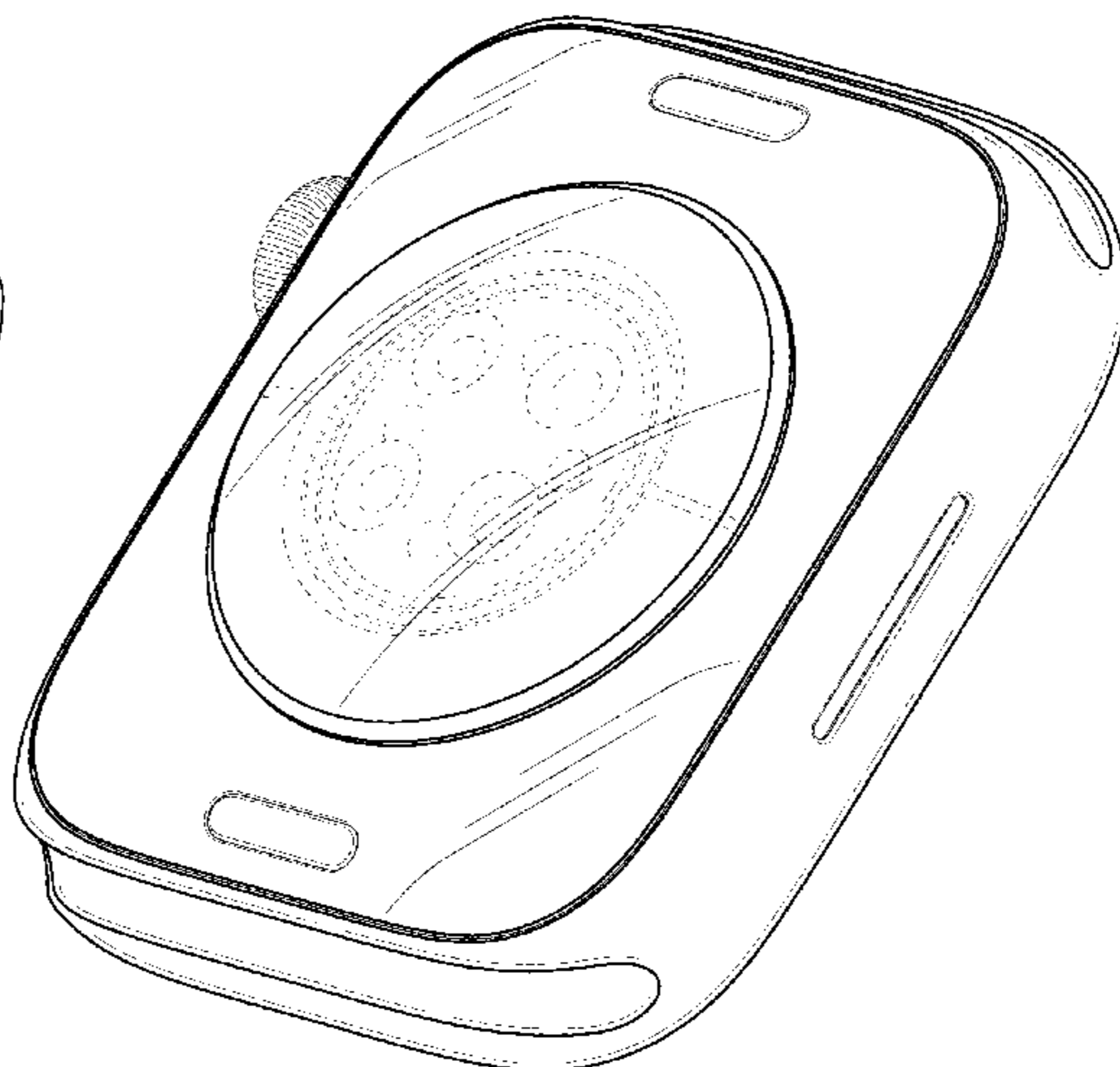
(57) **CLAIM**

The ornamental design for an electronic device, as shown and described.

**DESCRIPTION**

FIG. 1 is a bottom front perspective view of an electronic device showing the claimed design;  
FIG. 2 is a bottom rear perspective view thereof;  
FIG. 3 is a front view thereof;  
FIG. 4 is a rear view thereof;  
FIG. 5 is a left side view thereof;  
FIG. 6 is a right side view thereof;  
FIG. 7 is a top view thereof;  
FIG. 8 is a bottom view thereof; and,  
FIG. 9 is a bottom front perspective view thereof showing the electronic device in an environment in which it may be used.

(Continued)



The broken lines in the figures show portions of the electronic device that form no part of the claimed design. The other broken lines in FIG. 9 represent environmental subject matter that form no part of the claimed design.

**1 Claim, 7 Drawing Sheets**

(58) **Field of Classification Search**

CPC ..... G04G 17/00; G04G 17/06; G04G 17/08; G04G 17/083; G04G 17/045; G04G 21/00; G04G 21/02; G04G 21/025; G04G 21/06; G04G 21/08; G04G 99/006; G06F 1/163

See application file for complete search history.

(56)

**References Cited**

U.S. PATENT DOCUMENTS

D756,824 S	5/2016	Akana et al.	
D759,011 S	6/2016	Akana et al.	
D759,725 S *	6/2016	Akana .....	D14/496
D782,537 S *	3/2017	Akana .....	D14/511
D816,524 S *	5/2018	Akana .....	D10/126
D818,498 S *	5/2018	Akana .....	D14/511
D867,179 S *	11/2019	Akana .....	D10/70
D882,563 S *	4/2020	Akana .....	D14/344

D882,566 S *	4/2020	Akana .....	D14/344
D883,279 S *	5/2020	Akana .....	D14/344
D894,192 S *	8/2020	Akana .....	D14/344
D899,429 S *	10/2020	Akana .....	D14/439
D905,051 S *	12/2020	Akana .....	D14/344
D947,053 S *	3/2022	Akana .....	G06F 1/1643 D10/122
D947,180 S *	3/2022	Akana .....	D14/344
D947,181 S *	3/2022	Akana .....	D14/344
D947,182 S *	3/2022	Akana .....	D14/344
D949,144 S *	4/2022	Akana .....	D14/344
D949,145 S *	4/2022	Akana .....	D14/344
D949,146 S *	4/2022	Akana .....	D14/344
D953,323 S *	5/2022	Akana .....	D14/344
D953,324 S *	5/2022	Akana .....	D14/344
2021/0392422 A1 *	12/2021	Crowley .....	G06F 1/1643

OTHER PUBLICATIONS

A closer look at the Apple Watch Series 6 and how to review it, [www.theverge.com](https://www.theverge.com), Sep. 29, 2020. <https://www.theverge.com/2020/9/29/21493297/apple-watch-series-6-joanna-stern-interview-vergecast> (Year: 2020).\*

'Apple Watch Series 6' haste photo review, rear sensor evolved with blood oxygen wellness sensor, [www.gigazine.net](http://www.gigazine.net), Sep. 25, 2020. [https://gigazine.net/gsc\\_news/en/20200925-apple-watch-series-6-photo/](https://gigazine.net/gsc_news/en/20200925-apple-watch-series-6-photo/) (Year: 2020).\*

\* cited by examiner

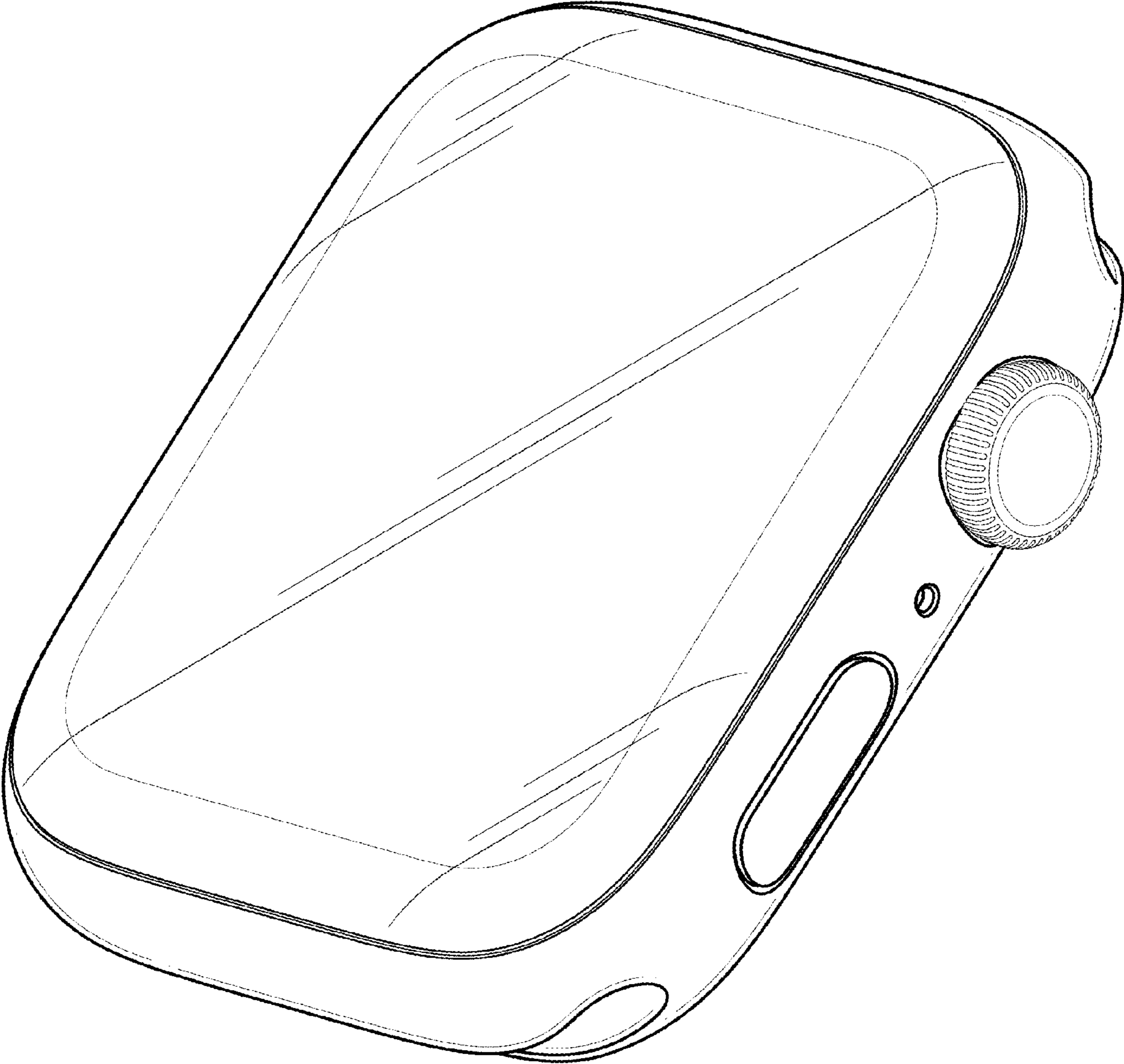


FIG. 1

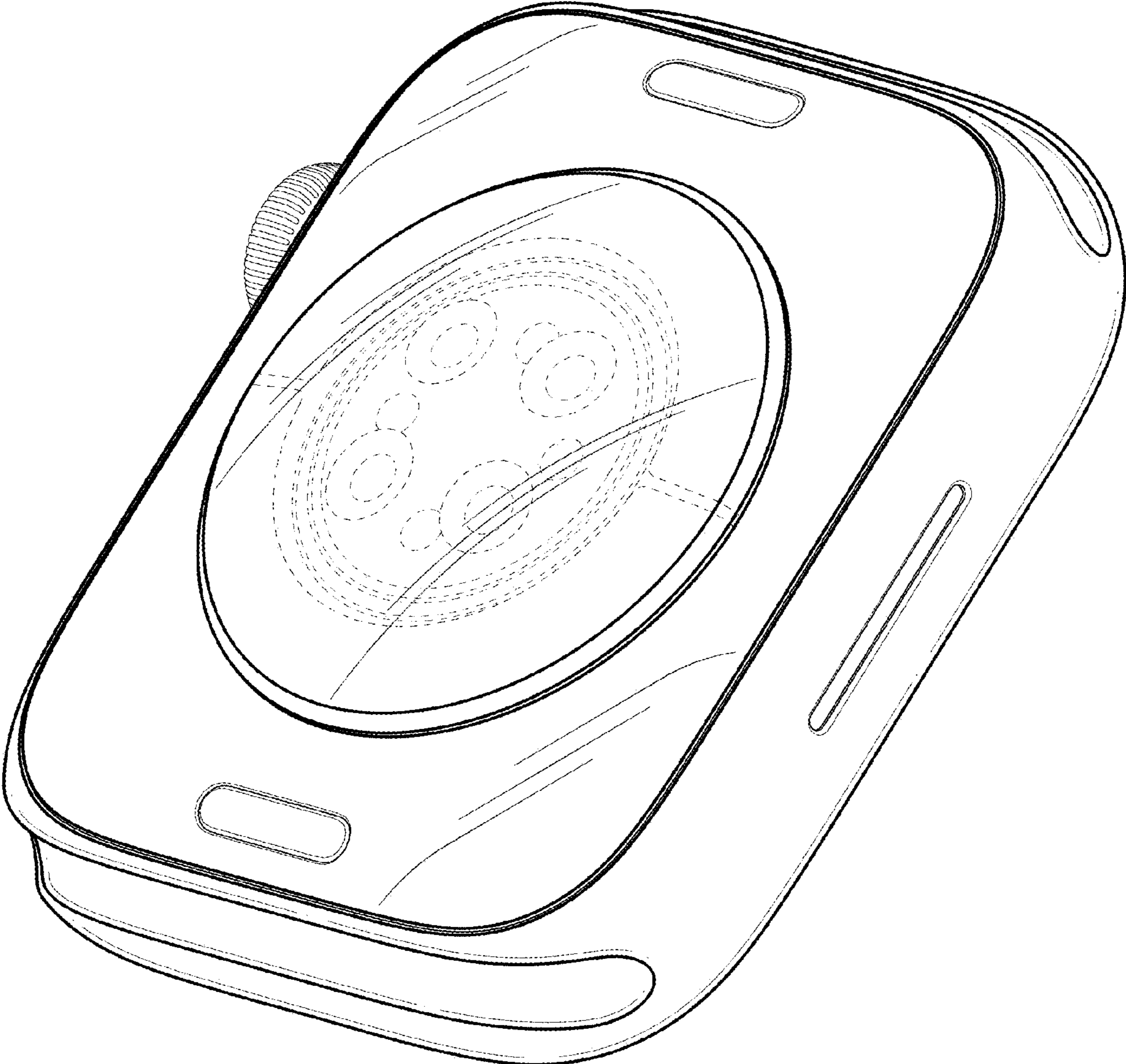


FIG. 2

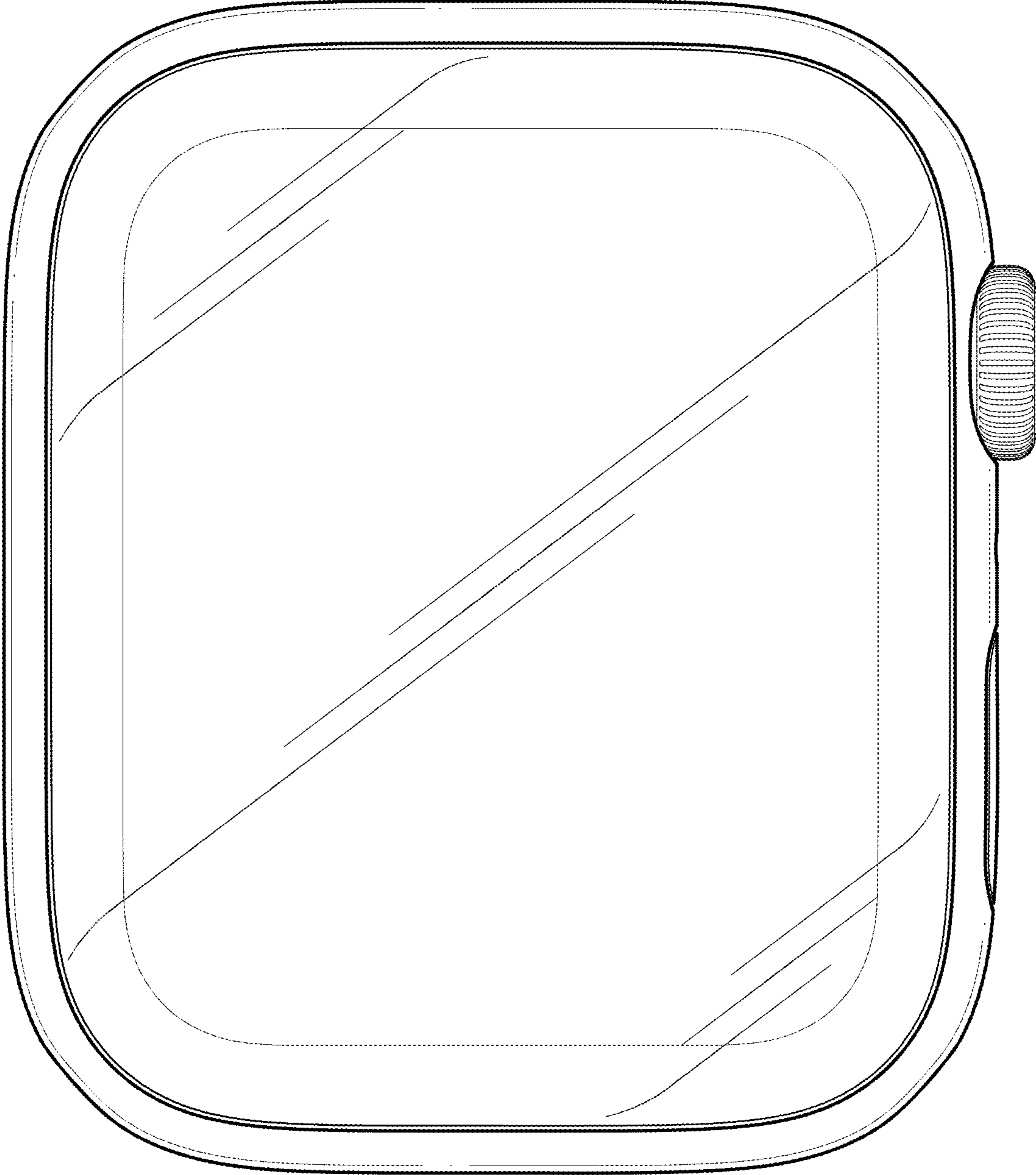


FIG. 3

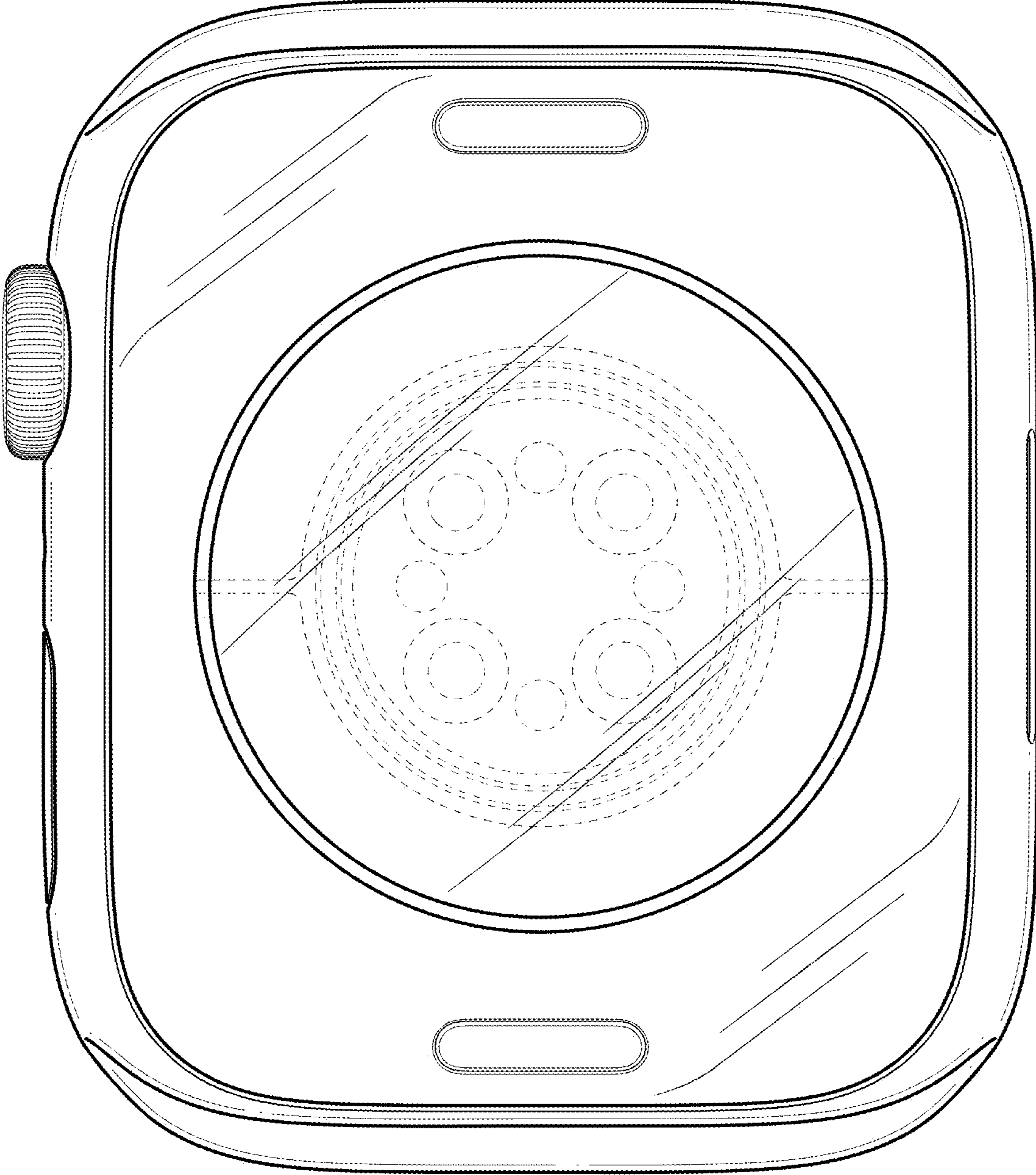


FIG. 4

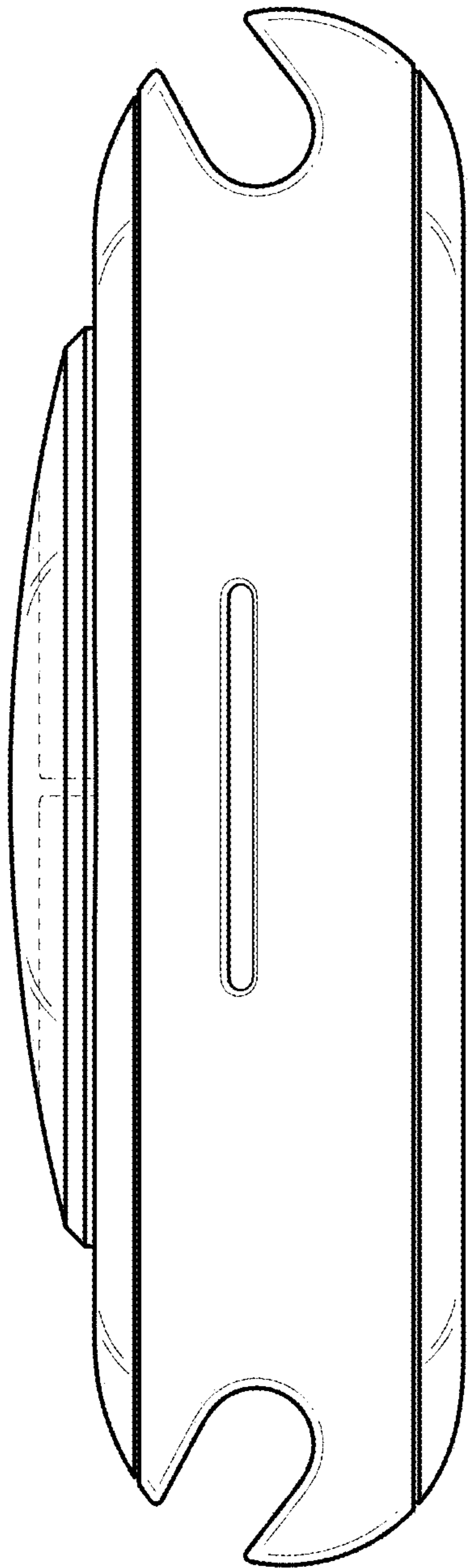


FIG. 5

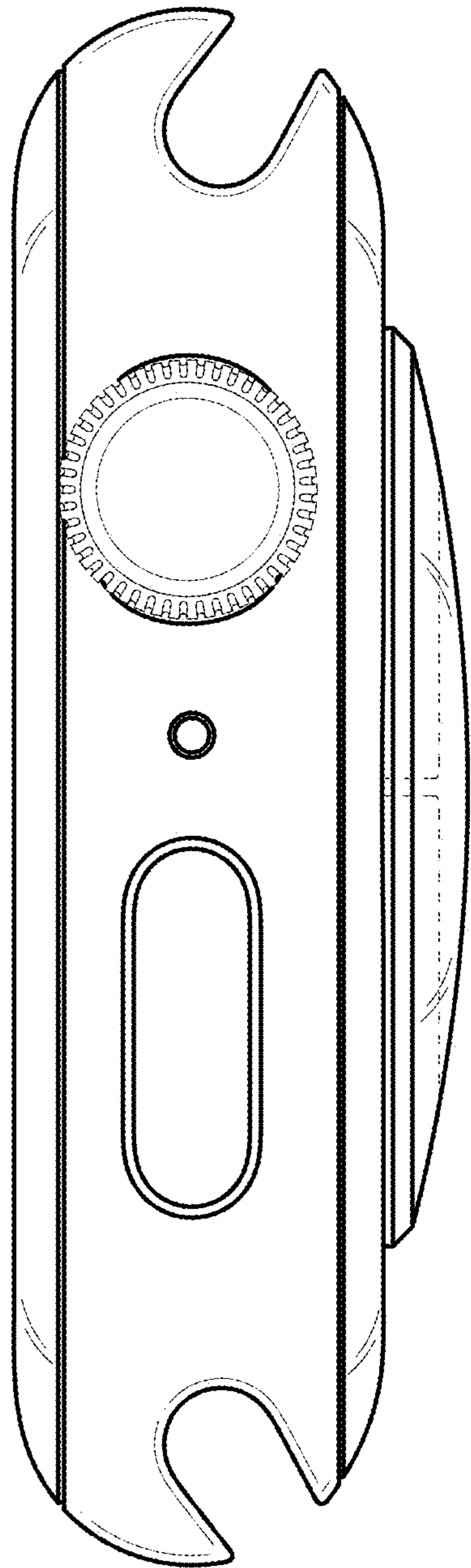


FIG. 6

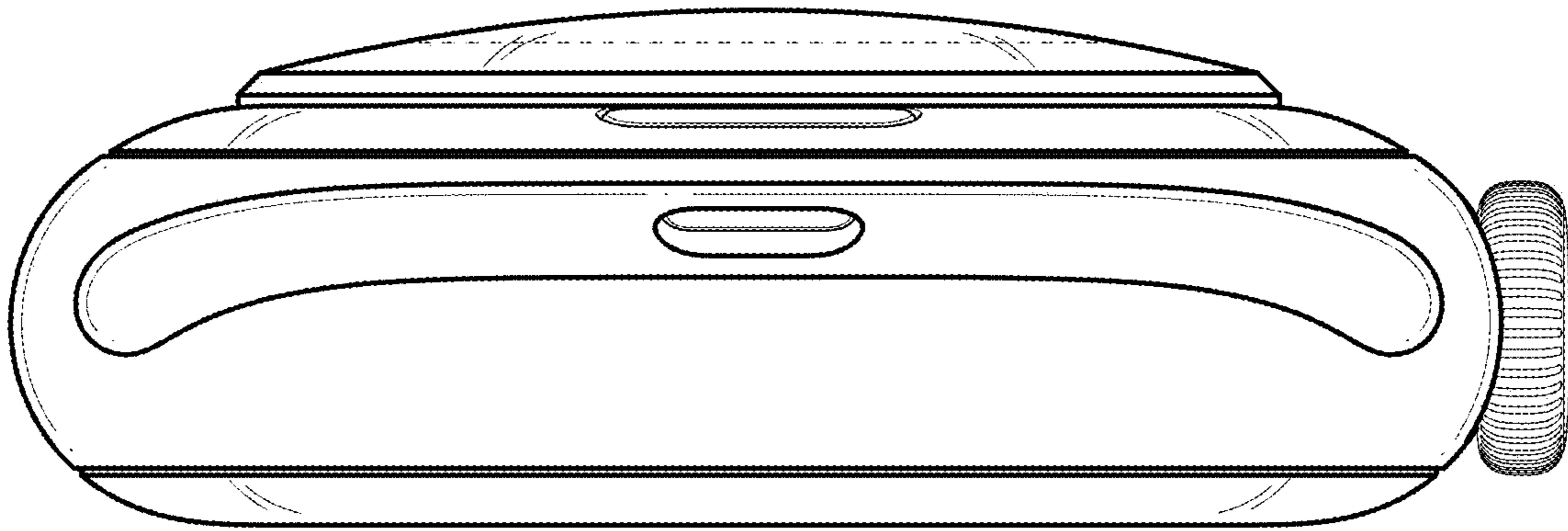


FIG. 7

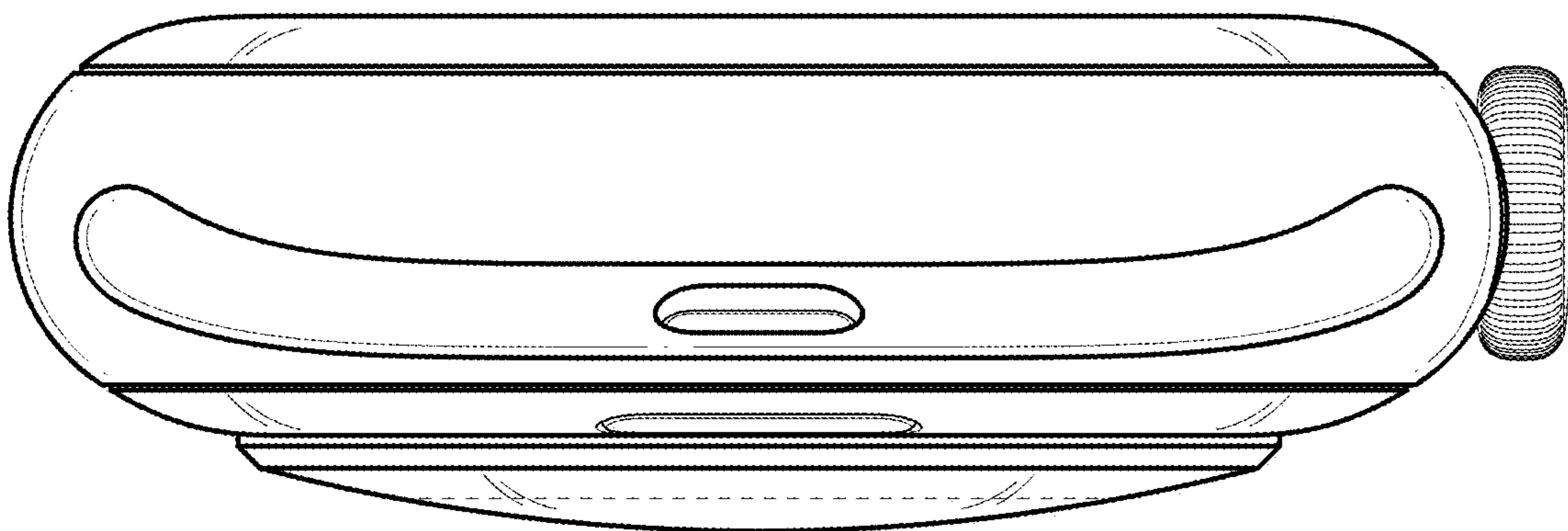


FIG. 8



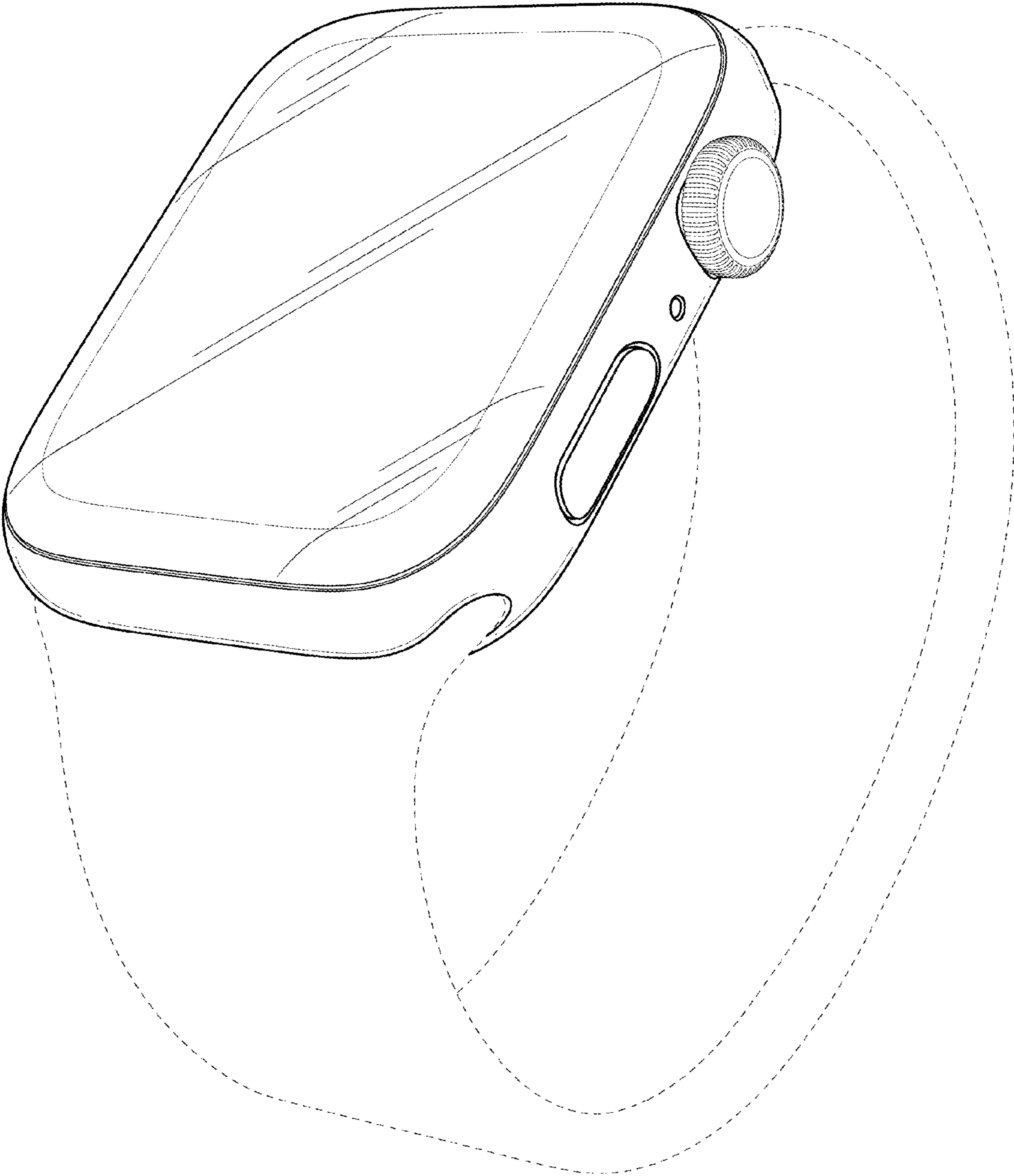


FIG. 9