

US00D972553S

(12) **United States Design Patent** (10) **Patent No.:** **US D972,553 S**
Son et al. (45) **Date of Patent:** **** Dec. 13, 2022**

(54) **MULTIMEDIA KIOSK**

(56) **References Cited**

(71) Applicant: **LG ELECTRONICS INC.**, Seoul (KR)

U.S. PATENT DOCUMENTS

(72) Inventors: **Sanghyeun Son**, Seoul (KR); **Sangmin Park**, Seoul (KR); **Inkoo Shim**, Seoul (KR); **Sewon Chun**, Seoul (KR)

D711,870 S *	8/2014	Johnson	D14/307
D842,296 S *	3/2019	Oross	D14/307
D857,007 S *	8/2019	Pitallano	D14/307
D861,778 S *	10/2019	Day	D18/4.4
D873,262 S *	1/2020	Fernando	D14/307
D888,705 S *	6/2020	Saito	D14/307
D900,089 S *	10/2020	Harris	D14/307
D900,804 S *	11/2020	Mugica	D14/307
D918,196 S *	5/2021	Ye	D14/307
D924,223 S *	7/2021	You	D14/307
D937,824 S *	12/2021	Ye	D14/307
D950,545 S *	5/2022	Harvey	D14/307
D962,219 S *	8/2022	Jung	D14/307

(73) Assignee: **LG ELECTRONICS INC.**, Seoul (KR)

(**) Term: **15 Years**

(21) Appl. No.: **35/512,780**

* cited by examiner

(22) Filed: **Apr. 22, 2021**

Primary Examiner — Austin Murphy

(80) **Hague Agreement Data**

Int. Filing Date: **Apr. 22, 2021**

Int. Reg. No.: **DM/214323**

Int. Reg. Date: **Apr. 22, 2021**

Int. Reg. Pub. Date: **Oct. 22, 2021**

(74) *Attorney, Agent, or Firm* — Birch Stewart, Kolasch & Birch, LLP

(30) **Foreign Application Priority Data**

Nov. 19, 2020 (KR) 30-2020-0056135

(51) **LOC (13) Cl.** **14-02**

(52) **U.S. Cl.**
USPC **D14/307**

(58) **Field of Classification Search**
USPC D14/302-307, 900-902; D13/163;
D20/10; D21/332, 325, 369, 370;
D99/28; D6/397, 466; 194/206;
361/679.01, 679.02, 679.04, 679.21,
361/679.57, 725
CPC G06Q 20/18; G06Q 20/10; G06Q 20/123;
G06Q 20/20; G06Q 30/02; G06Q 30/06;
A47F 9/047

See application file for complete search history.

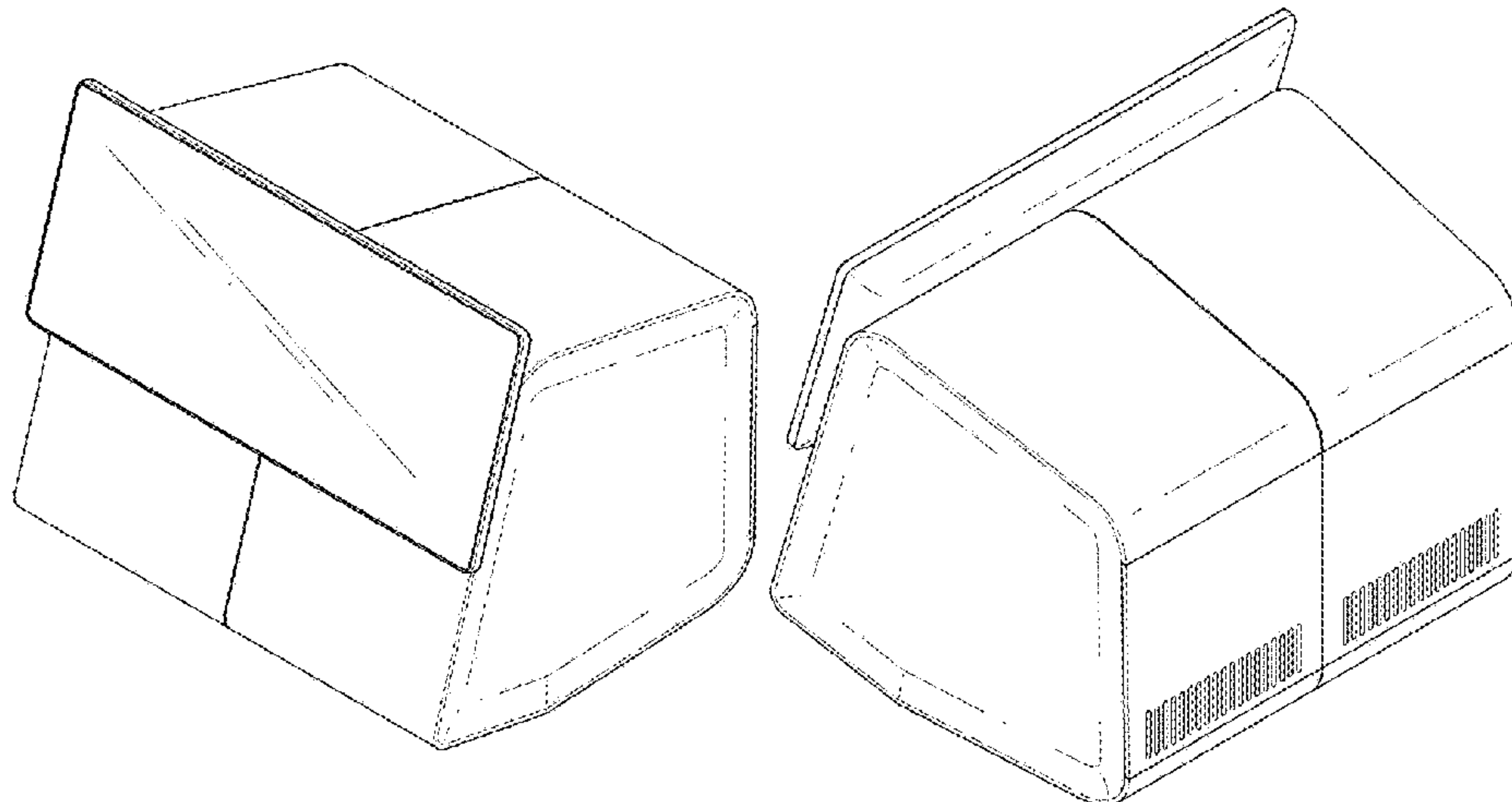
(57) **CLAIM**

The ornamental design for a multimedia kiosk, as shown and described.

DESCRIPTION

- 1. Multimedia kiosk
- 1.1 : Perspective
- 1.2 : Rear perspective view
- 1.3 : Front
- 1.4 : Back
- 1.5 : Left
- 1.6 : Right
- 1.7 : Top
- 1.8 : Bottom

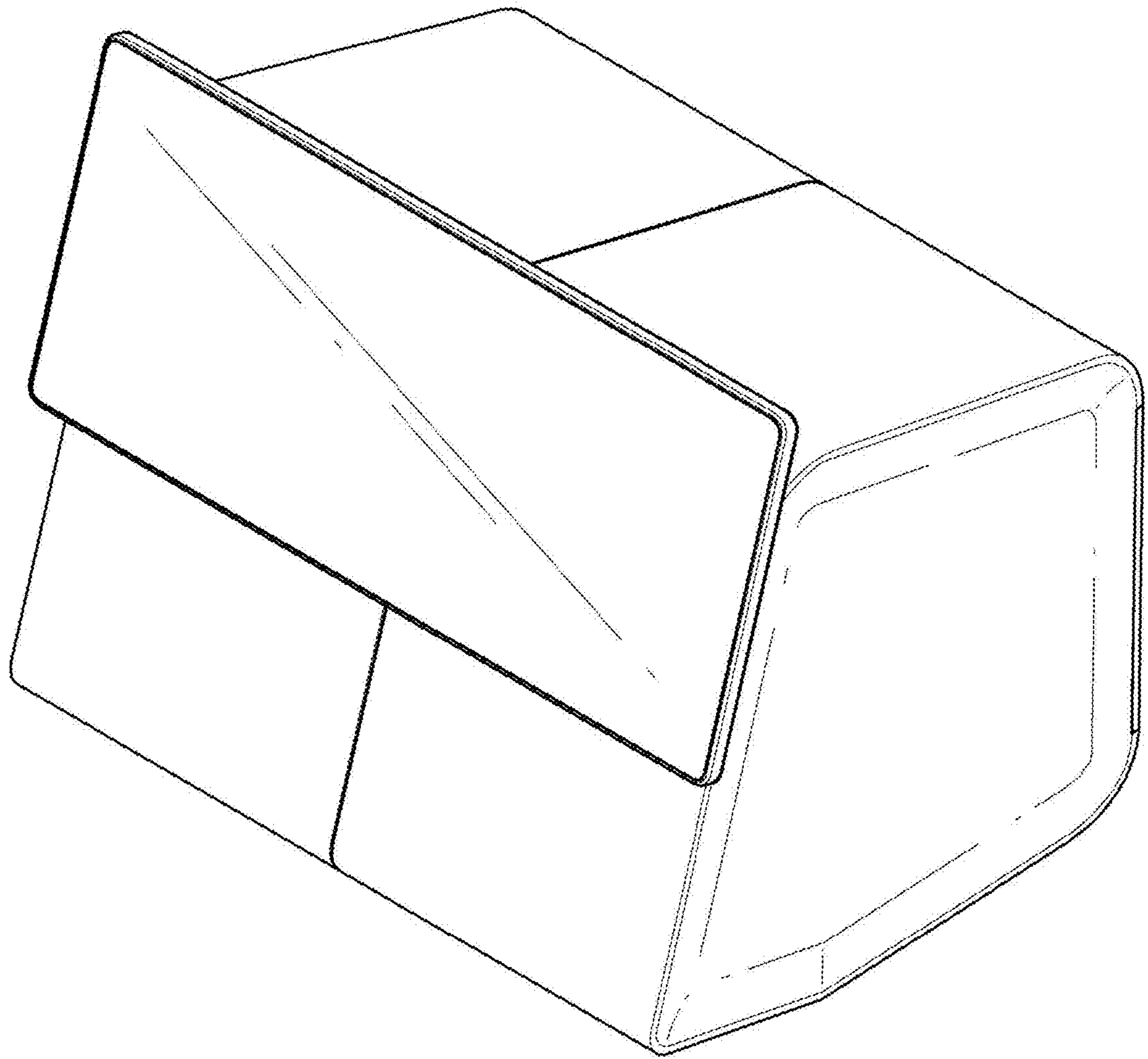
(Continued)



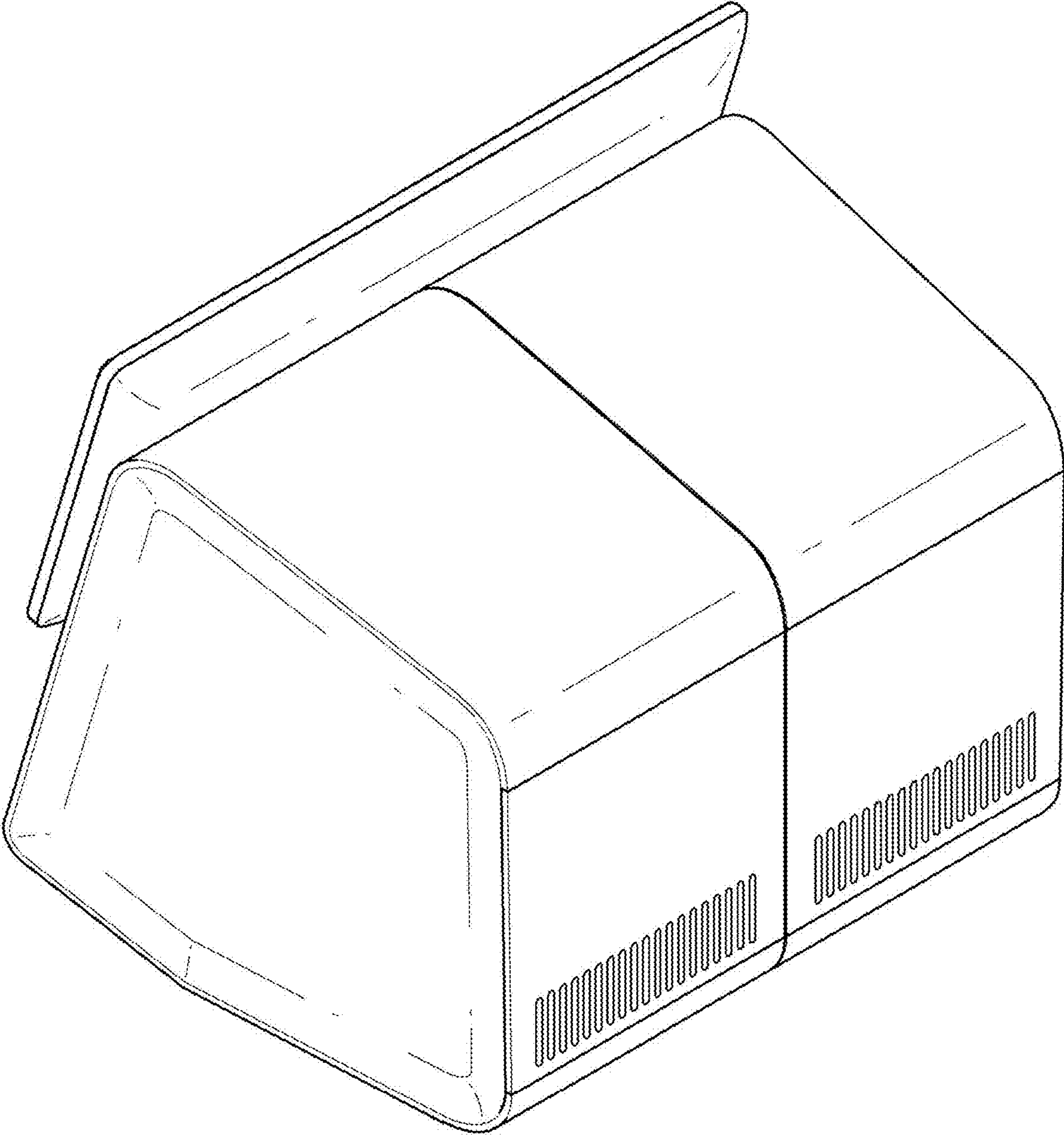
The subject design is a multimedia kiosk that can be installed inside a car, etc. to quickly and accurately receive the information desired by the user.

1 Claim, 8 Drawing Sheets

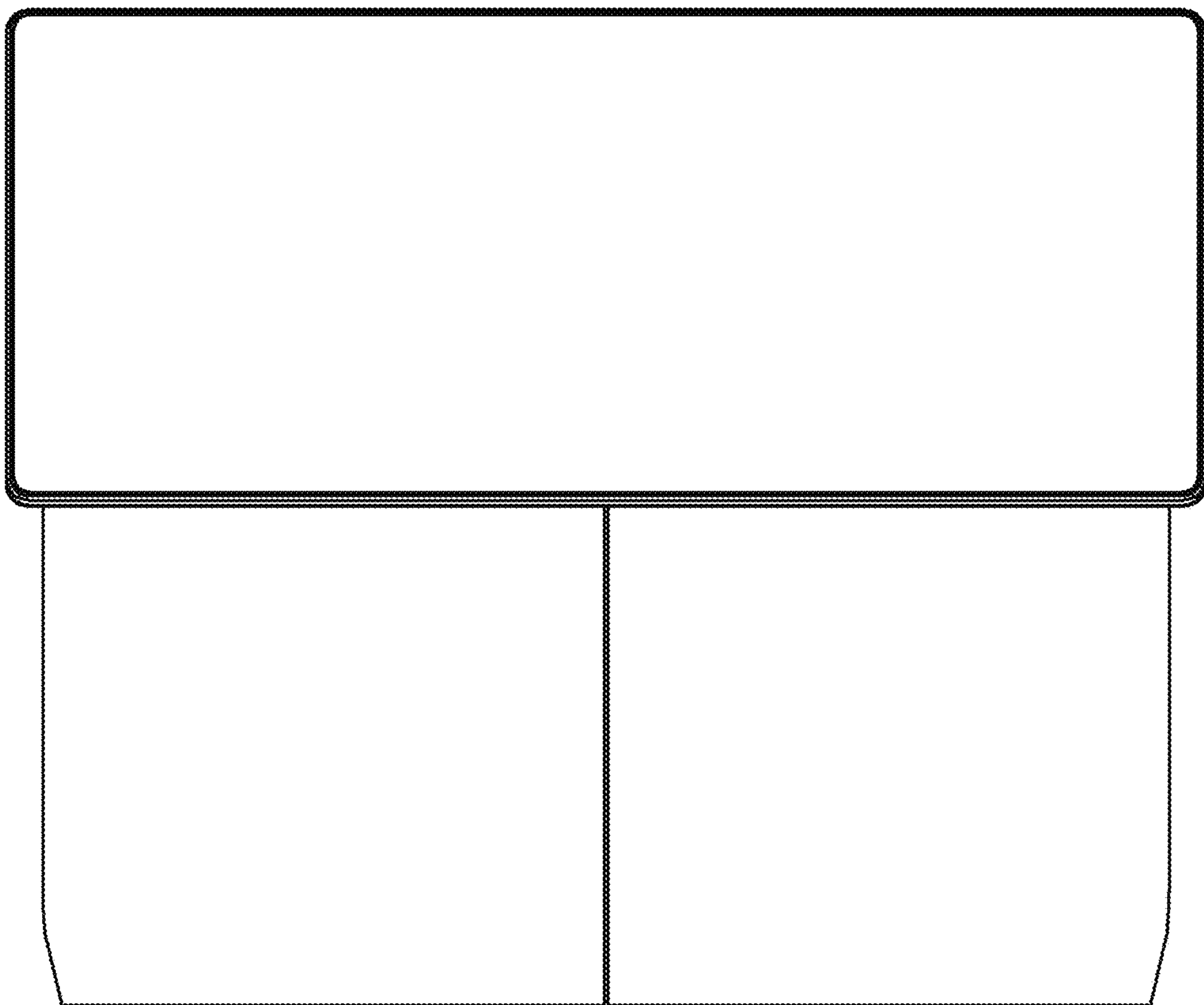
1.1



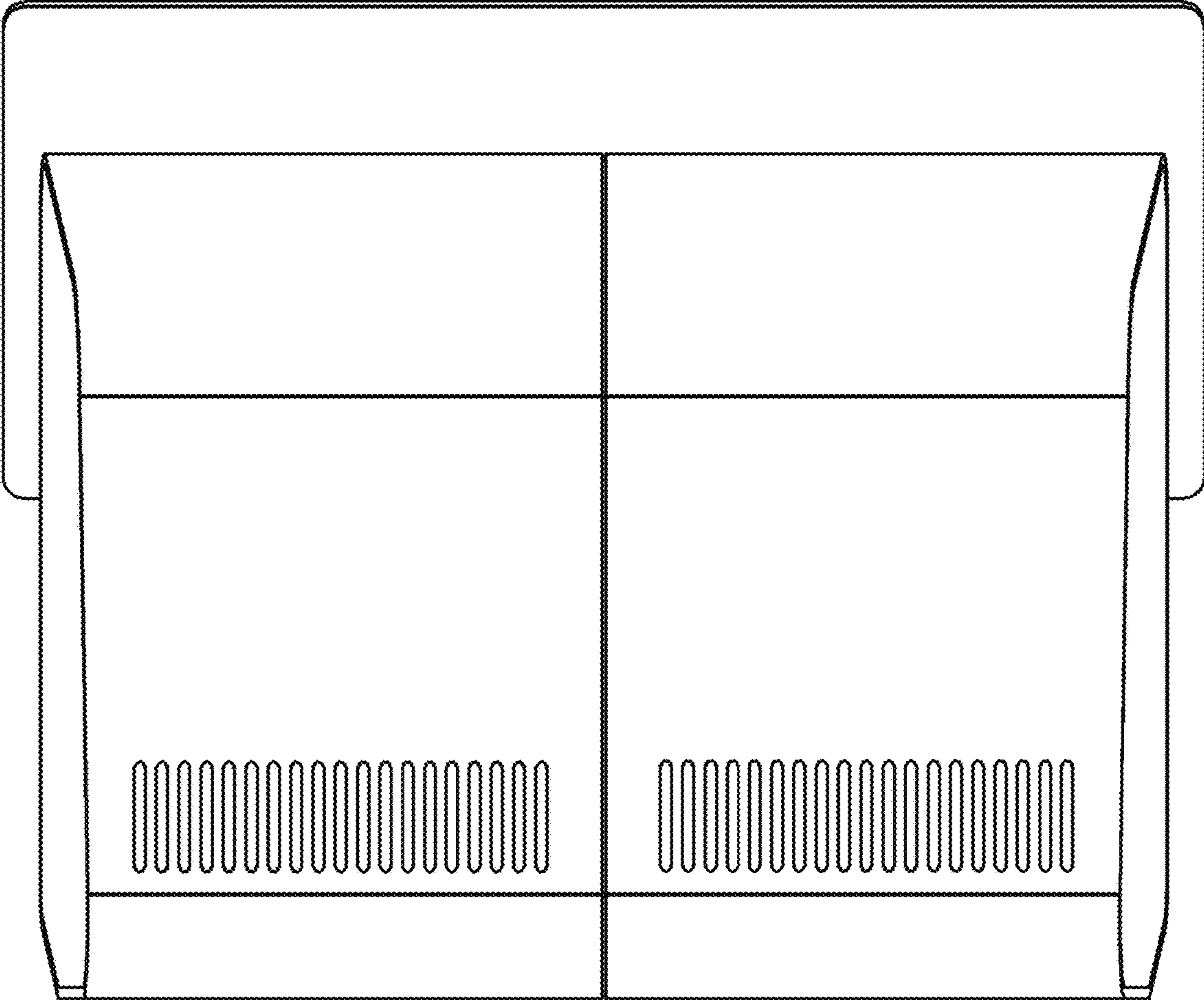
1.2



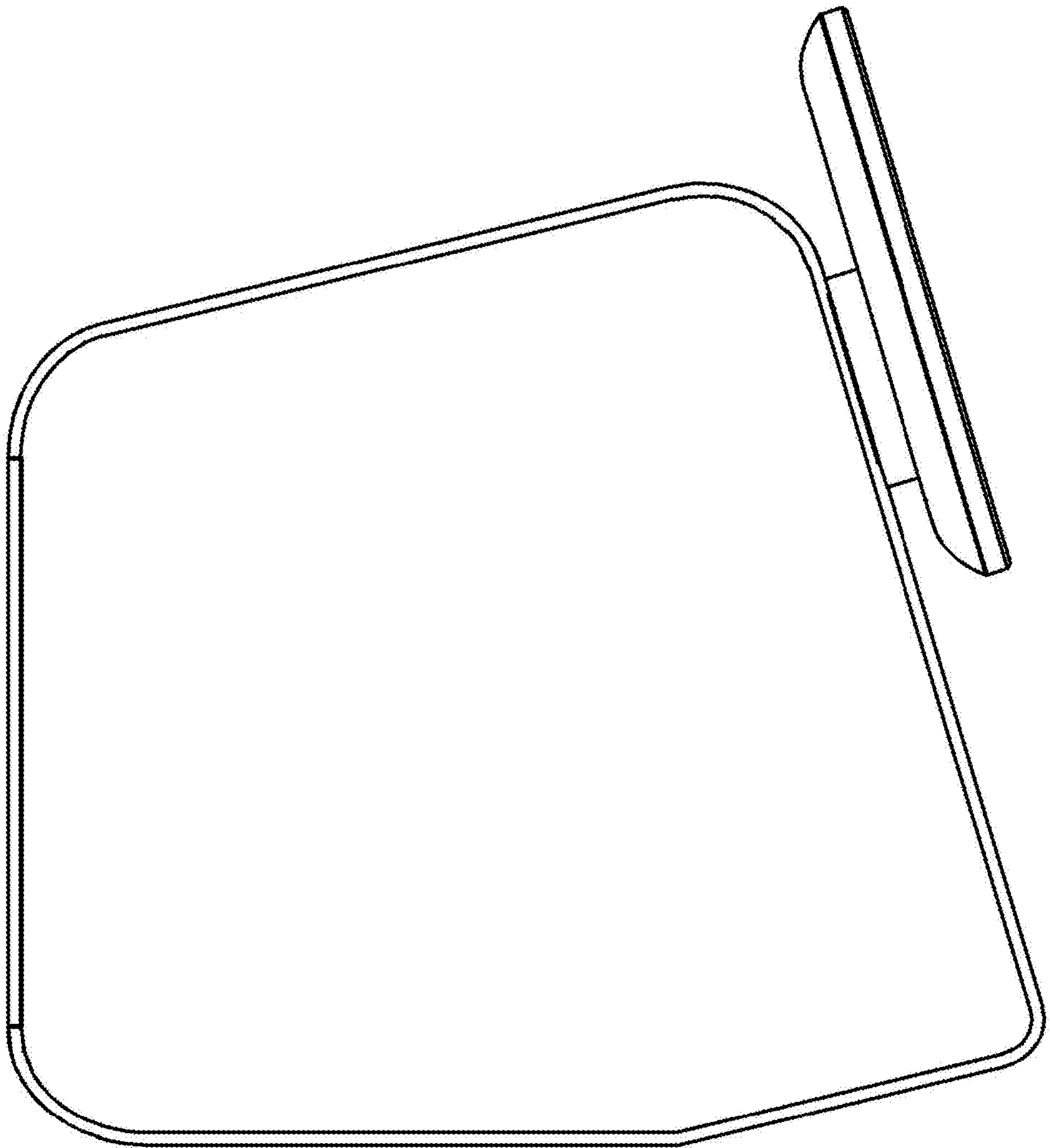
1.3



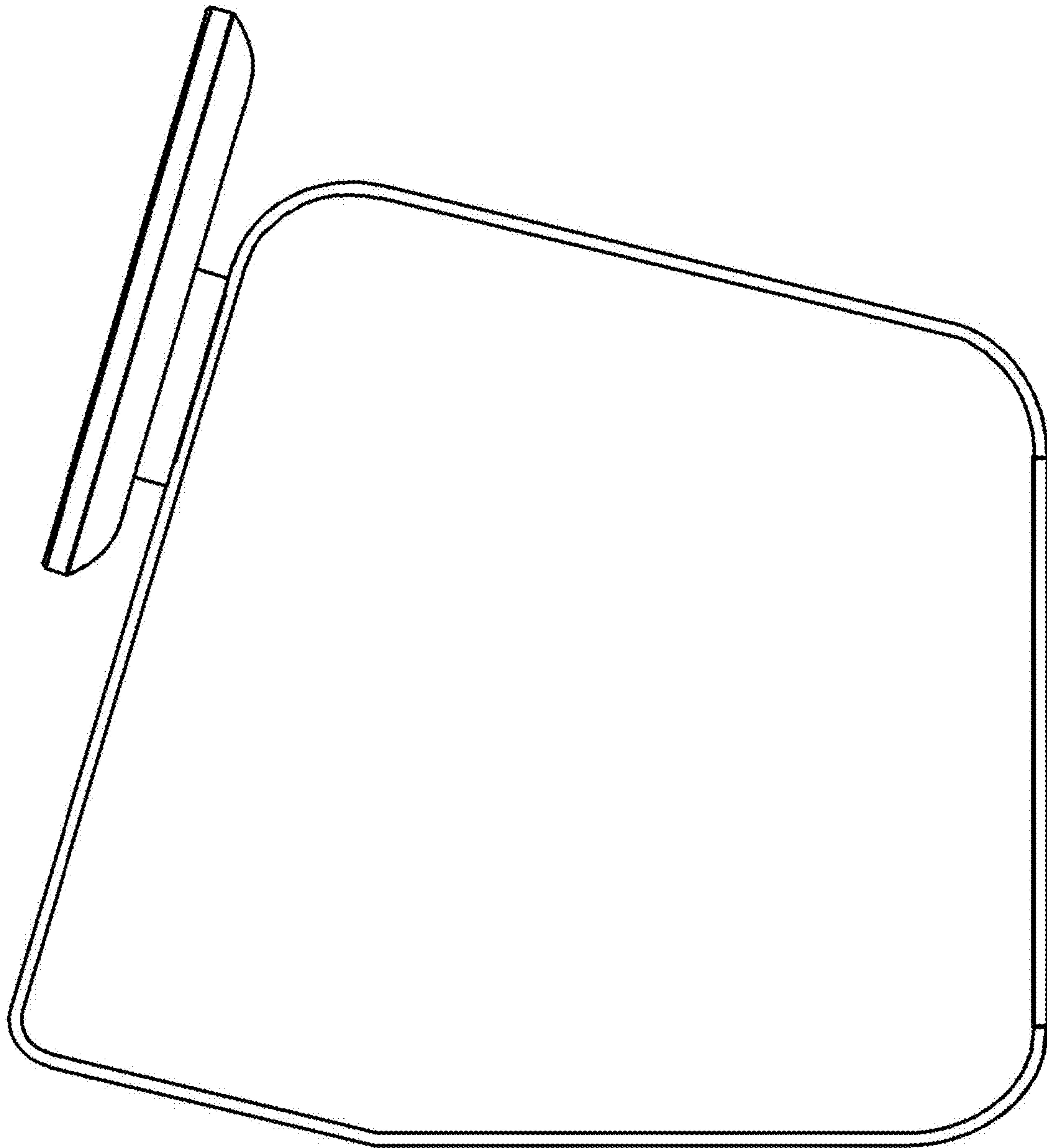
1.4



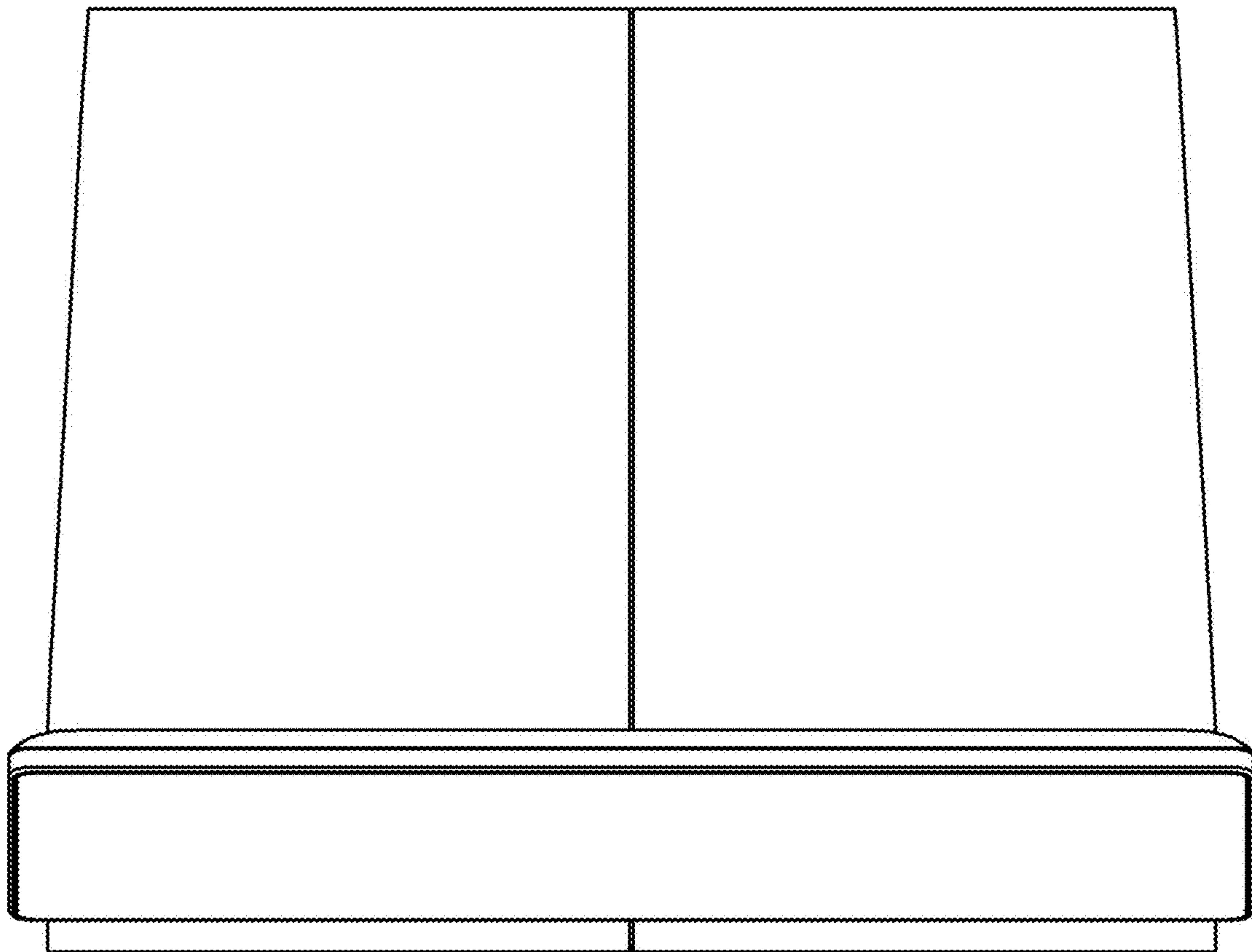
1.5



1.6



1.7



1.8

