

US00D972550S

(12) **United States Design Patent** (10) **Patent No.:** **US D972,550 S**  
**Park** (45) **Date of Patent:** **\*\* Dec. 13, 2022**

(54) **MOBILE PHONE HOLDER**

(71) Applicant: **MOMOSTICK CO., LTD.**, Incheon (KR)

(72) Inventor: **Jin Kyu Park**, Incheon (KR)

(\*\*) Term: **15 Years**

(21) Appl. No.: **35/512,741**

(22) Filed: **Apr. 13, 2021**

(80) **Hague Agreement Data**

Int. Filing Date: **Apr. 13, 2021**

Int. Reg. No.: **DM/215927**

Int. Reg. Date: **Apr. 13, 2021**

Int. Reg. Pub. Date: **Oct. 15, 2021**

(30) **Foreign Application Priority Data**

Oct. 14, 2020 (KR) ..... 30-2020-0049092

(51) **LOC (13) Cl.** ..... **14-03**

(52) **U.S. Cl.**  
USPC ..... **D14/253; D3/218**

(58) **Field of Classification Search**

USPC ..... D14/217, 250–253, 440, 447; D3/218

CPC ..... A45F 2200/0525; A45F 2005/1006; A45F 2005/008; A45F 2200/0516; A45F 3/14; A45F 5/00; A45F 5/10

See application file for complete search history.

(56) **References Cited**

**U.S. PATENT DOCUMENTS**

- D669,267 S \* 10/2012 Mecchella ..... D3/289
- D689,479 S \* 9/2013 Soffer ..... D14/253
- D703,647 S \* 4/2014 Kim ..... D14/250
- D705,767 S \* 5/2014 Yoon ..... D14/250
- D721,373 S \* 1/2015 Logereau ..... D14/432
- D723,569 S \* 3/2015 Peng ..... D14/440
- D725,659 S \* 3/2015 Tussy ..... D14/440
- D738,872 S \* 9/2015 Erickson-Davis ..... D3/218

- D756,339 S \* 5/2016 Tussy ..... D14/250
- D778,275 S \* 2/2017 Gabriel ..... D14/250
- D794,007 S \* 8/2017 Zhang ..... D14/250
- D814,212 S \* 4/2018 Tuang ..... D6/566
- D817,316 S \* 5/2018 Srour ..... D14/251
- D826,236 S \* 8/2018 Chang ..... D14/439
- D830,367 S \* 10/2018 Chang ..... D14/440
- D831,635 S \* 10/2018 Gibson ..... D14/250
- 10,201,221 B1 \* 2/2019 Chang ..... A45F 5/10
- D842,290 S \* 3/2019 Robertson ..... D14/251
- D845,955 S \* 4/2019 Zhong ..... D14/439
- D863,287 S \* 10/2019 Srour ..... D14/251
- D877,154 S \* 3/2020 Hummel ..... D14/447
- 10,610,004 B1 \* 4/2020 Yeo ..... A45C 11/182

(Continued)

*Primary Examiner* — Janice Hallmark

(57) **CLAIM**

The ornamental design for a mobile phone holder, as shown and described.

**DESCRIPTION**

1. Mobile phone holder

1.1 : Perspective

1.2 : Front

1.3 : Back

1.4 : Left

1.5 : Right

1.6 : Top

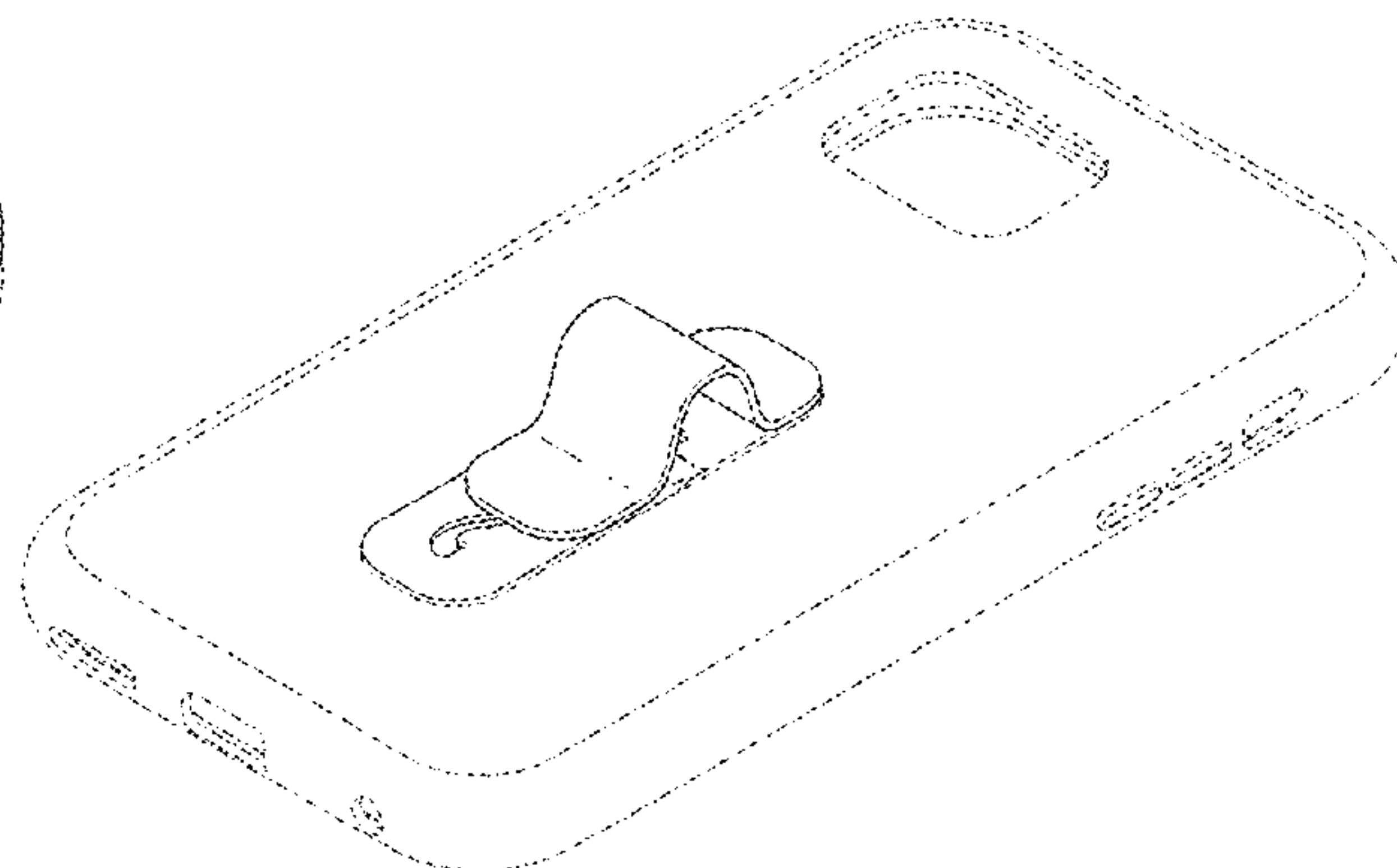
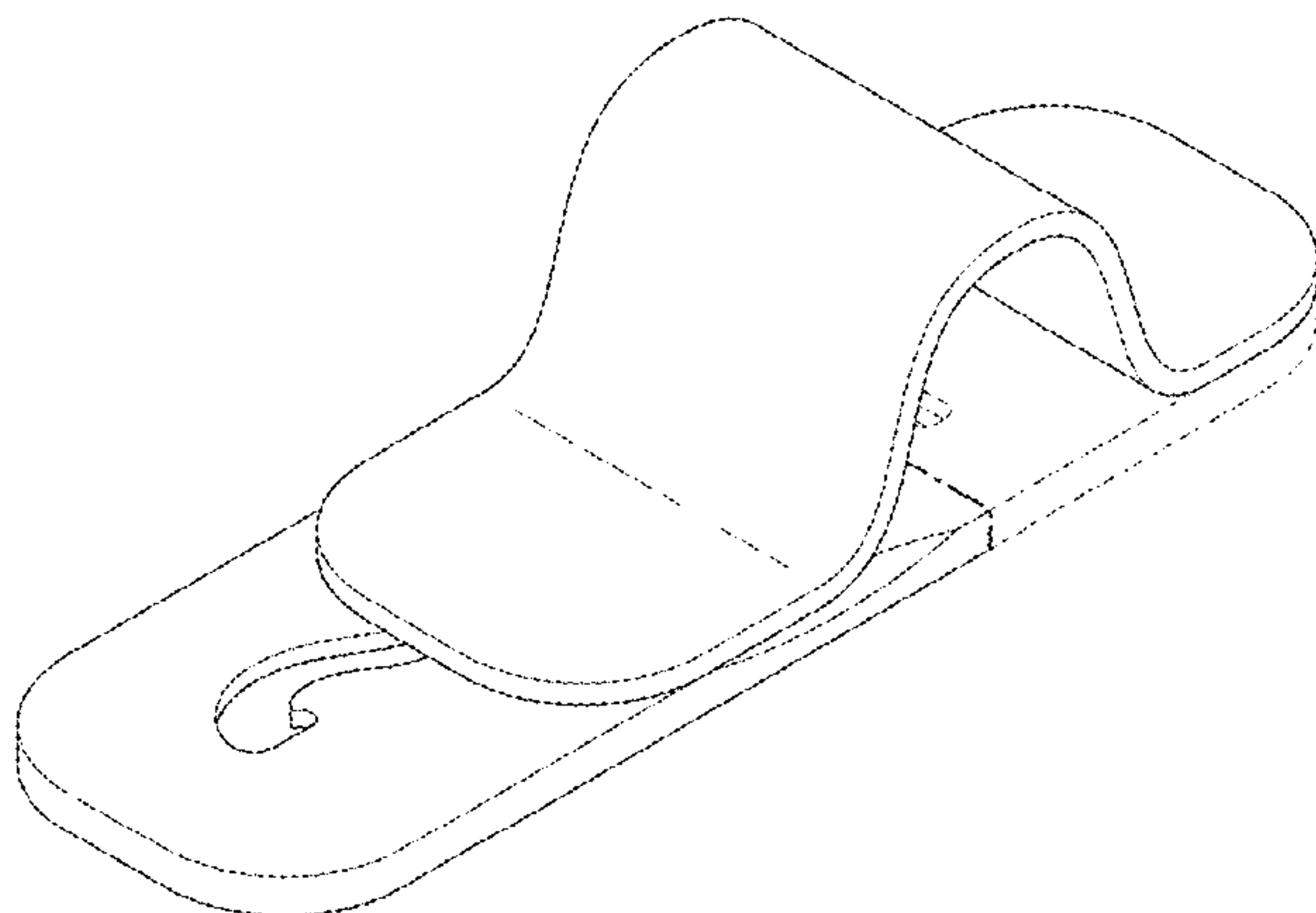
1.7 : Bottom

1.8 : Perspective

This article is a mobile phone holder which can be attached onto the back side of a mobile phone or the back side of a mobile phone case; the part to be protected is displayed as a solid line and the part to be unprotected is displayed as a dotted line; a boundary between the part to be protected and the part to be unprotected is displayed as an alternated long and short dash line.

The dotted lines in Fig. 1.8 showing a mobile phone case illustrate environmental subject matter and form no part of the claimed design.

**1 Claim, 8 Drawing Sheets**



(56)

References Cited

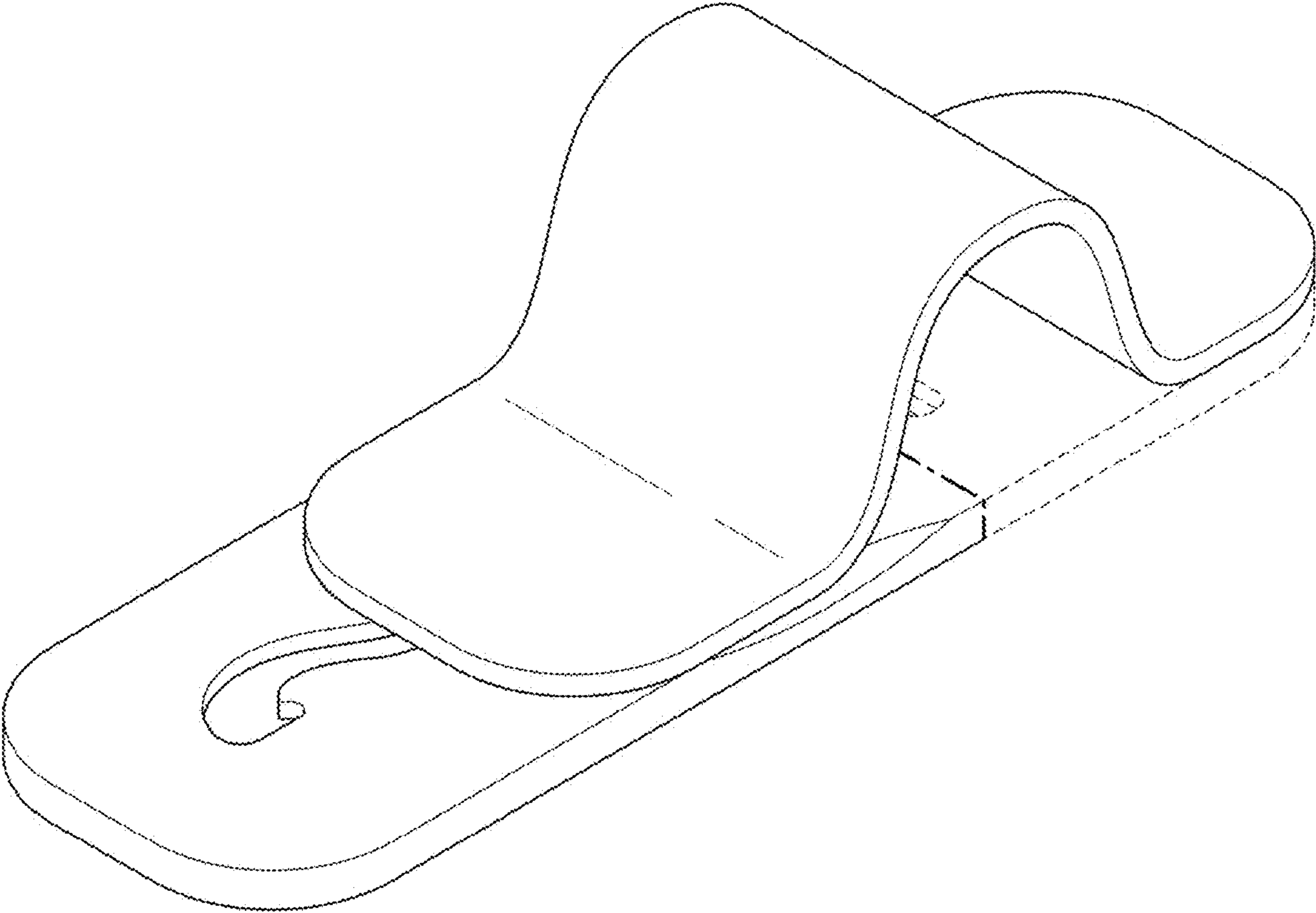
U.S. PATENT DOCUMENTS

D883,272 S \* 5/2020 Park ..... D14/253  
10,694,837 B1 \* 6/2020 Altschul ..... H04M 1/04  
D894,167 S \* 8/2020 Feller ..... D14/251  
D894,889 S \* 9/2020 Feller ..... D14/251  
D916,073 S \* 4/2021 Li ..... D14/253  
D925,543 S \* 7/2021 Ma ..... D14/440  
D929,382 S \* 8/2021 Gwyn ..... D14/251  
D932,482 S \* 10/2021 Del Toro ..... D14/253  
D933,645 S \* 10/2021 Tsang ..... D14/250  
D937,250 S \* 11/2021 Jakobuco ..... D14/250  
D946,562 S \* 3/2022 Emery ..... D3/249  
D950,238 S \* 5/2022 Yeo ..... D3/218  
D950,540 S \* 5/2022 Yeo ..... D3/218  
D952,623 S \* 5/2022 Britt ..... H04M 1/18  
D14/250  
D959,418 S \* 8/2022 Huang ..... D3/218  
2009/0270050 A1 \* 10/2009 Brown ..... A45F 5/00  
455/90.3  
2010/0222118 A1 \* 9/2010 Interdanato ..... A45F 5/00  
455/575.6

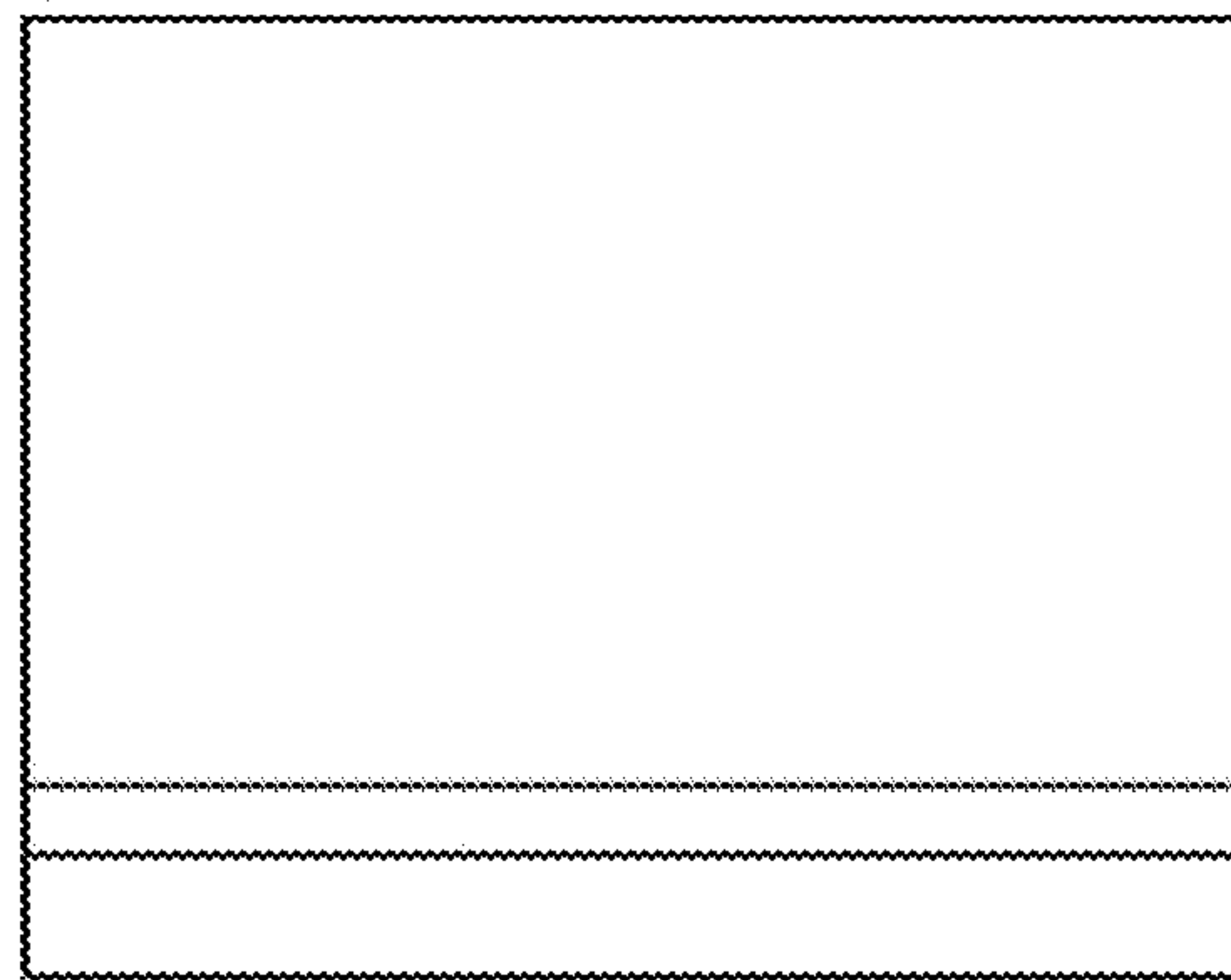
2014/0077515 A1 \* 3/2014 Rasmussen ..... A45F 5/102  
294/169  
2015/0011269 A1 \* 1/2015 Liu ..... H04M 1/0202  
455/575.1  
2015/0214992 A1 \* 7/2015 Gant ..... A45F 5/10  
455/575.6  
2015/0365125 A1 \* 12/2015 Murphy ..... A45F 5/00  
455/575.6  
2016/0036480 A1 \* 2/2016 Hirsch ..... A45F 5/00  
455/575.6  
2016/0134733 A1 \* 5/2016 Murphy ..... A45F 5/00  
455/575.6  
2016/0345715 A1 \* 12/2016 Lin ..... A45C 11/00  
2018/0116381 A1 \* 5/2018 Koshak ..... G03B 17/563  
2018/0234126 A1 \* 8/2018 Yeo ..... H04B 1/3888  
2018/0241860 A1 \* 8/2018 Park ..... H04M 1/04  
2019/0055062 A1 \* 2/2019 Winn ..... H04B 1/3888  
2019/0090621 A1 \* 3/2019 Yoo ..... A45F 5/00  
2020/0028951 A1 \* 1/2020 Hummel ..... H04M 1/04  
2020/0093231 A1 \* 3/2020 Mora ..... F16M 11/10  
2021/0059370 A1 \* 3/2021 Del Toro ..... F16M 11/10  
2021/0315339 A1 \* 10/2021 Yoon ..... H04M 1/04

\* cited by examiner

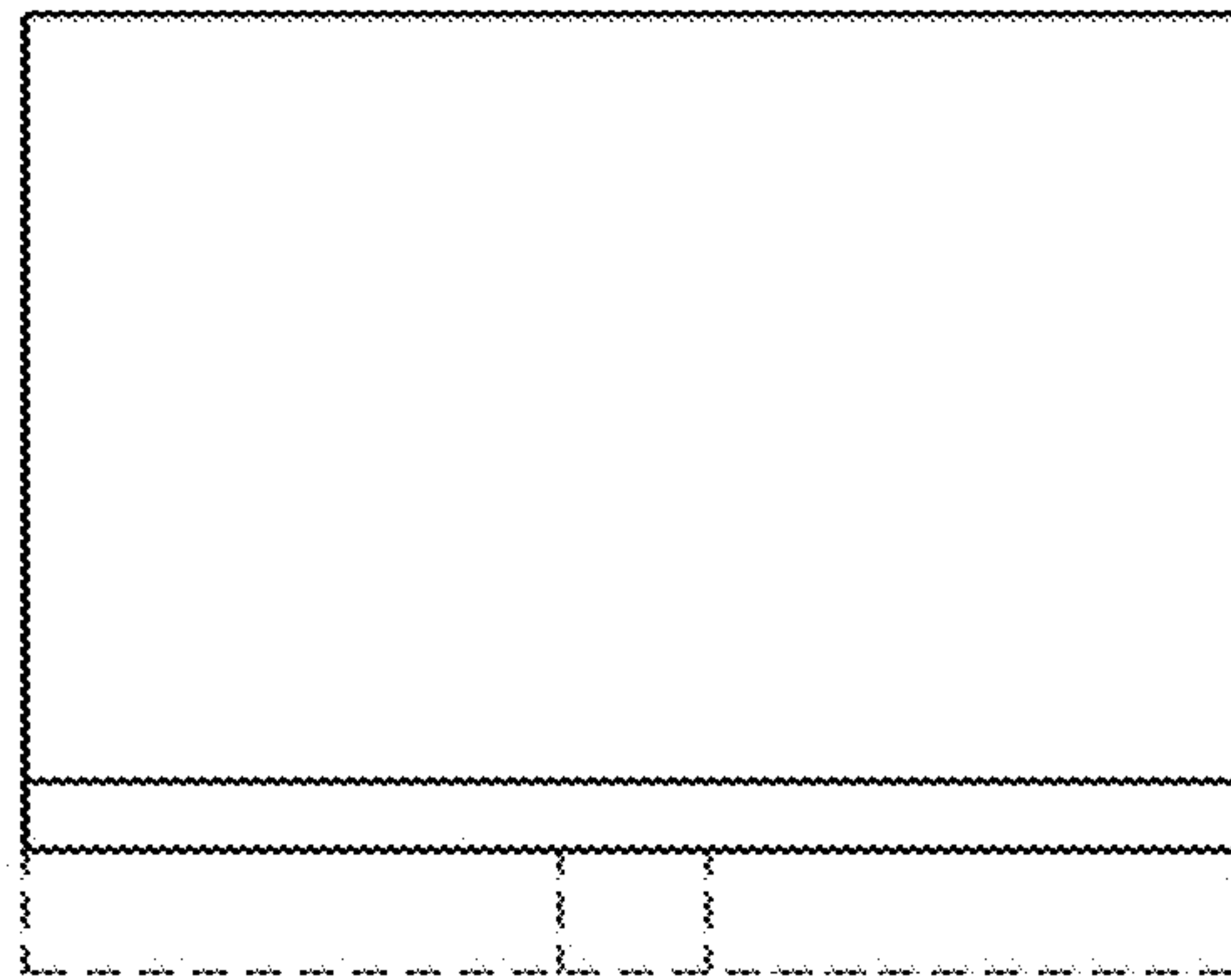
1.1



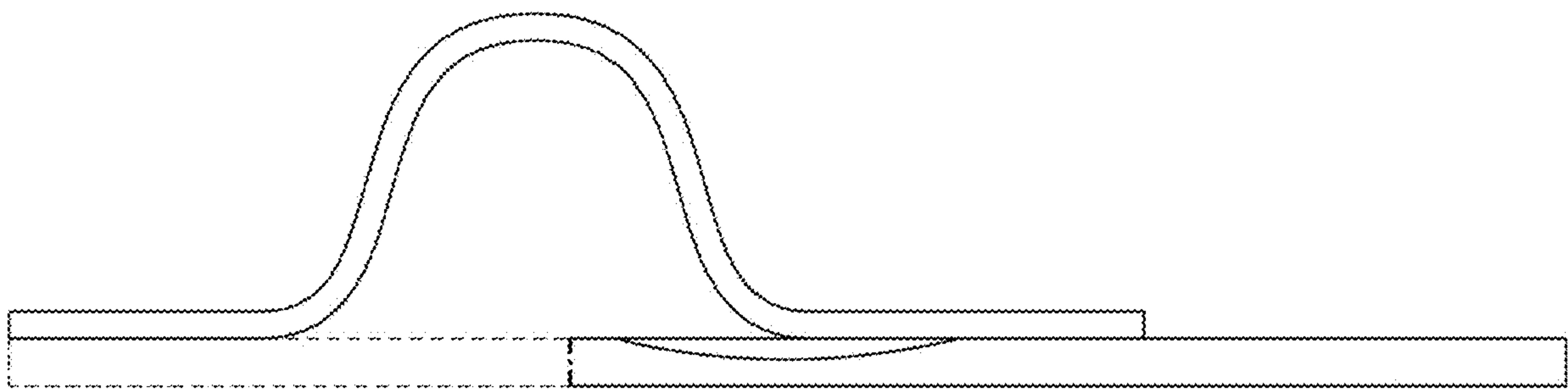
1.2



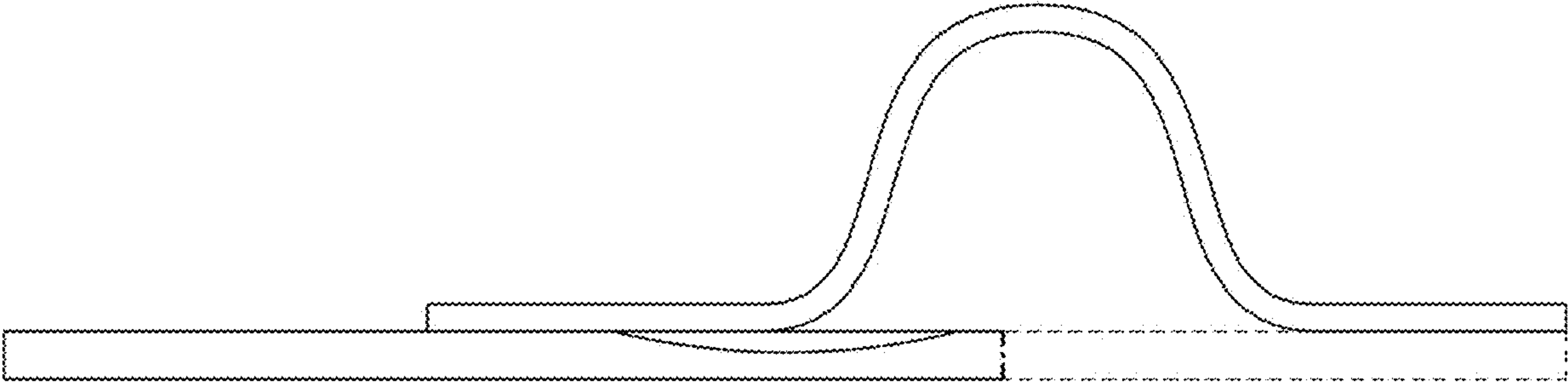
1.3



1.4

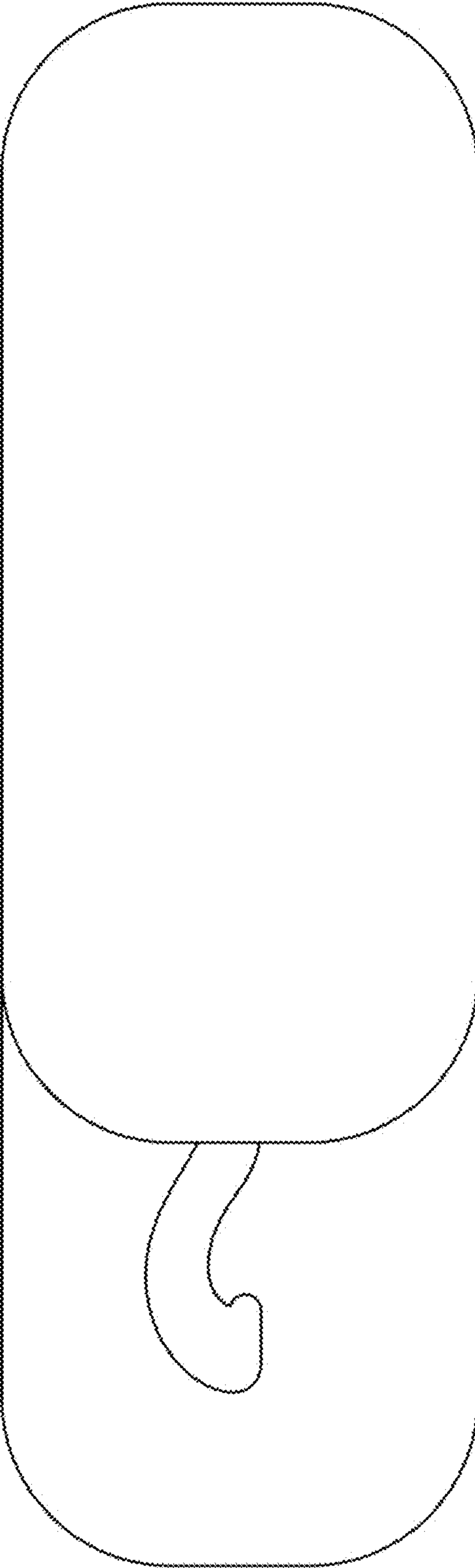


1.5



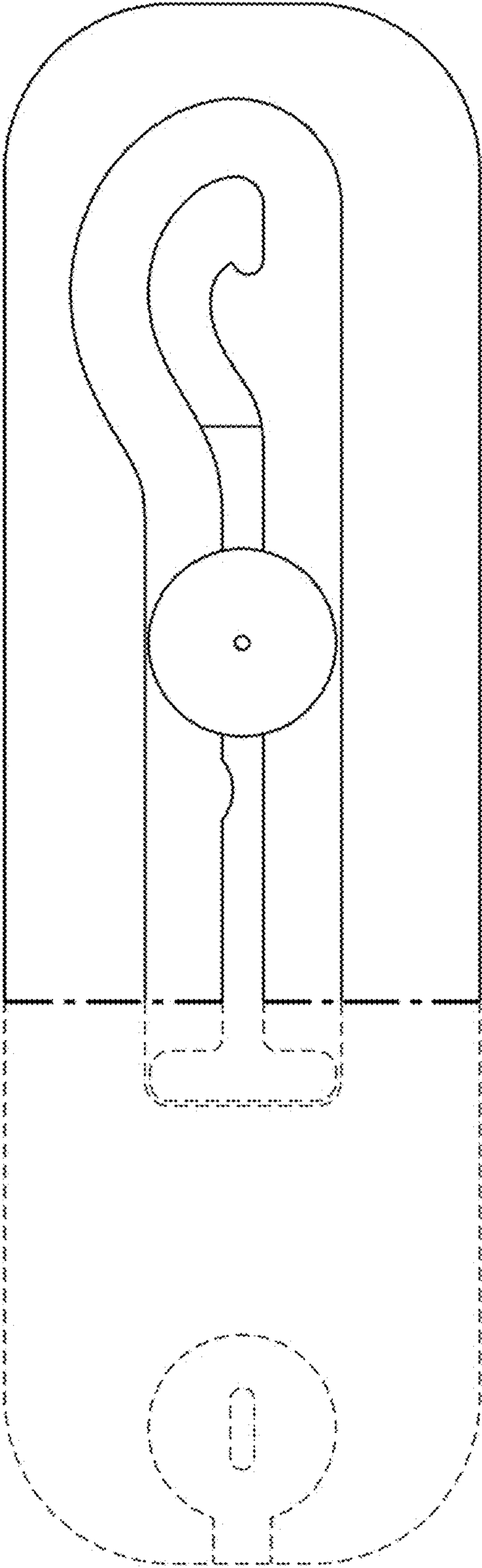


1.6





1.7



1.8

