



US00D972549S

(12) **United States Design Patent** (10) **Patent No.:** **US D972,549 S**  
**Yang** (45) **Date of Patent:** **\*\* Dec. 13, 2022**

(54) **COMBINED PHONE MOUNT WITH CUP HOLDER**

D944,717 S \* 3/2022 Iverson ..... D12/419  
D945,948 S \* 3/2022 Yu ..... D12/419  
D945,949 S \* 3/2022 Yu ..... D7/624.2  
D947,101 S \* 3/2022 Zhu ..... D12/419  
D955,377 S \* 6/2022 Iverson ..... D14/253

(71) Applicant: **Guangzhou Issyzone Technology Co., Limited**, Guangzhou (CN)

(72) Inventor: **Taiping Yang**, Guangzhou (CN)

(\*\*) Term: **15 Years**

(21) Appl. No.: **29/842,097**

(22) Filed: **Jun. 10, 2022**

(51) **LOC (13) Cl.** ..... **14-03**

(52) **U.S. Cl.**  
USPC ..... **D14/252**; D12/419

(58) **Field of Classification Search**  
USPC ..... D14/251-253, 447, 217, 250, 440;  
D3/218; D12/415, 419; D13/108;  
D7/620

CPC ..... A45C 2011/002; A45F 2200/0516; H04B  
2001/3861; H04M 1/04; B60R 7/08;  
B60N 3/10

See application file for complete search history.

(56) **References Cited**

**U.S. PATENT DOCUMENTS**

D799,909 S \* 10/2017 Partridge ..... D12/419  
D809,998 S \* 2/2018 Dabel ..... B60N 3/103  
D12/419  
D877,045 S \* 3/2020 Johnson ..... D12/419  
D877,046 S \* 3/2020 Park ..... D12/419  
D878,279 S 3/2020 MacNeil et al.  
D906,229 S \* 12/2020 Han ..... D12/419  
D913,201 S \* 3/2021 Jia ..... D12/419  
D927,269 S \* 8/2021 Matteucci ..... D7/701  
11,117,526 B2 \* 9/2021 Iverson ..... B60R 11/02  
D934,233 S \* 10/2021 Iverson ..... D14/253  
D937,754 S \* 12/2021 Xu ..... D12/419  
D938,342 S \* 12/2021 Yang ..... D12/419  
D940,635 S \* 1/2022 Yang ..... D12/419  
D940,636 S \* 1/2022 Yang ..... D12/419

**OTHER PUBLICATIONS**

JoyTutus Cup Holder Expander Phone Mount, Amazon.com, Jul. 15, 2022. <<https://a.co/d/9le8EYV>> (Year: 2022).\*

JoyTutus Cup Holder Phone Mount for Car, Amazon.com, Sep. 28, 2020. <<https://a.co/d/iq40aZP>> (Year: 2020).\*

\* cited by examiner

*Primary Examiner* — Janice Hallmark

(57) **CLAIM**

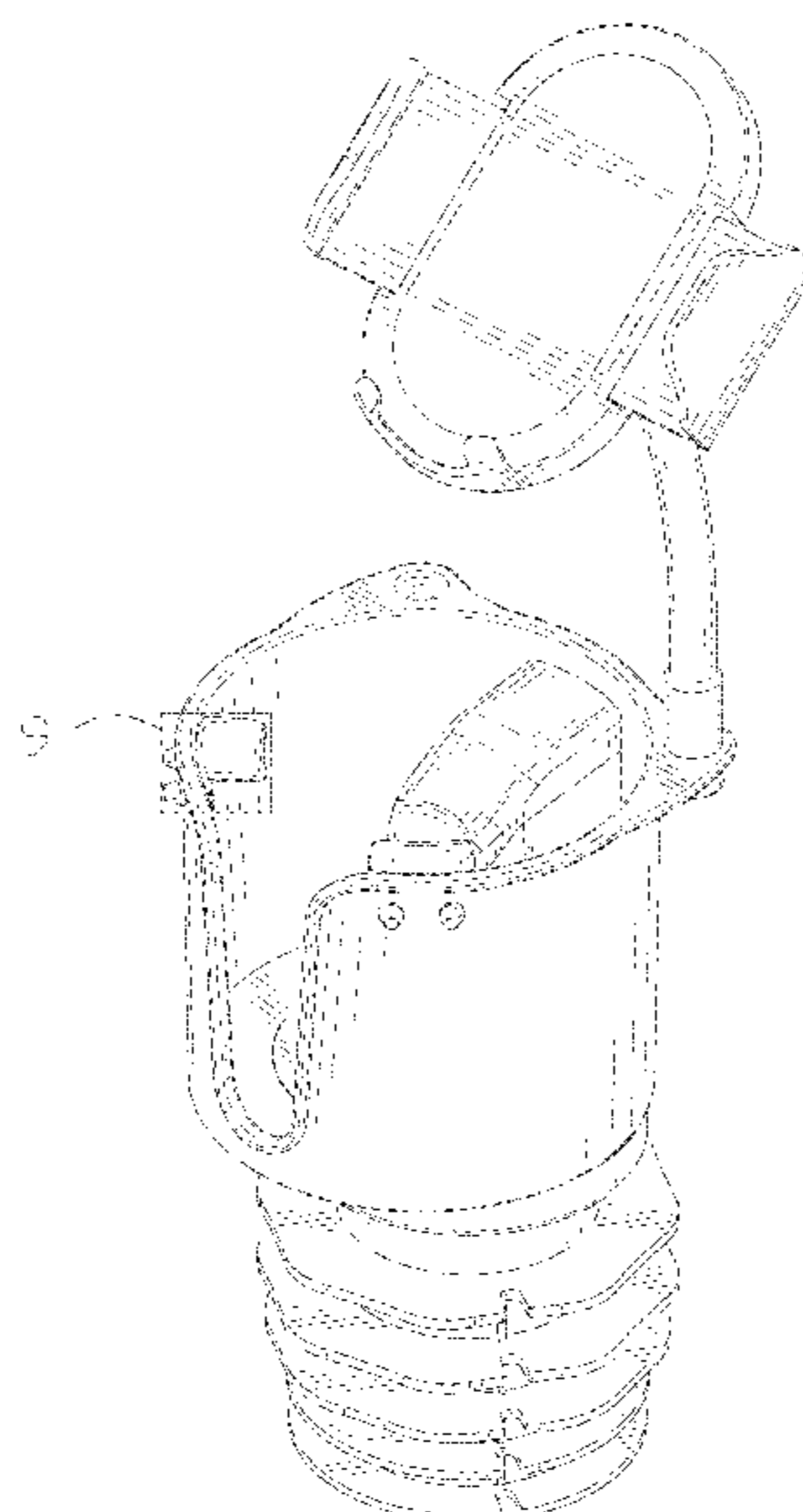
The ornamental design for a combined phone mount with cup holder, as shown and described.

**DESCRIPTION**

FIG. 1 is a front and top perspective view of a combined phone mount with cup holder, showing my new design; FIG. 2 is a rear and bottom perspective view thereof; FIG. 3 is a front elevation view thereof; FIG. 4 is a rear elevation view thereof; FIG. 5 is a left side elevation view thereof; FIG. 6 is a right side elevation view thereof; FIG. 7 is a top plan view thereof; FIG. 8 is a bottom plan view thereof; FIG. 9 is an enlarged view of a portion indicated with numeric 9 in FIG. 1; and, FIG. 10 is an enlarged view of a portion indicated with numeric 2 in FIG. 10.

The broken lines in the figures illustrate portions of the combined phone mount with cup holder that form no part of the claimed design. The dash dot dash lines in FIGS. 1, 2, 9 and 10 are for the purpose of depicting the boundary lines of the enlarged views and form no part of the claimed design.

**1 Claim, 10 Drawing Sheets**



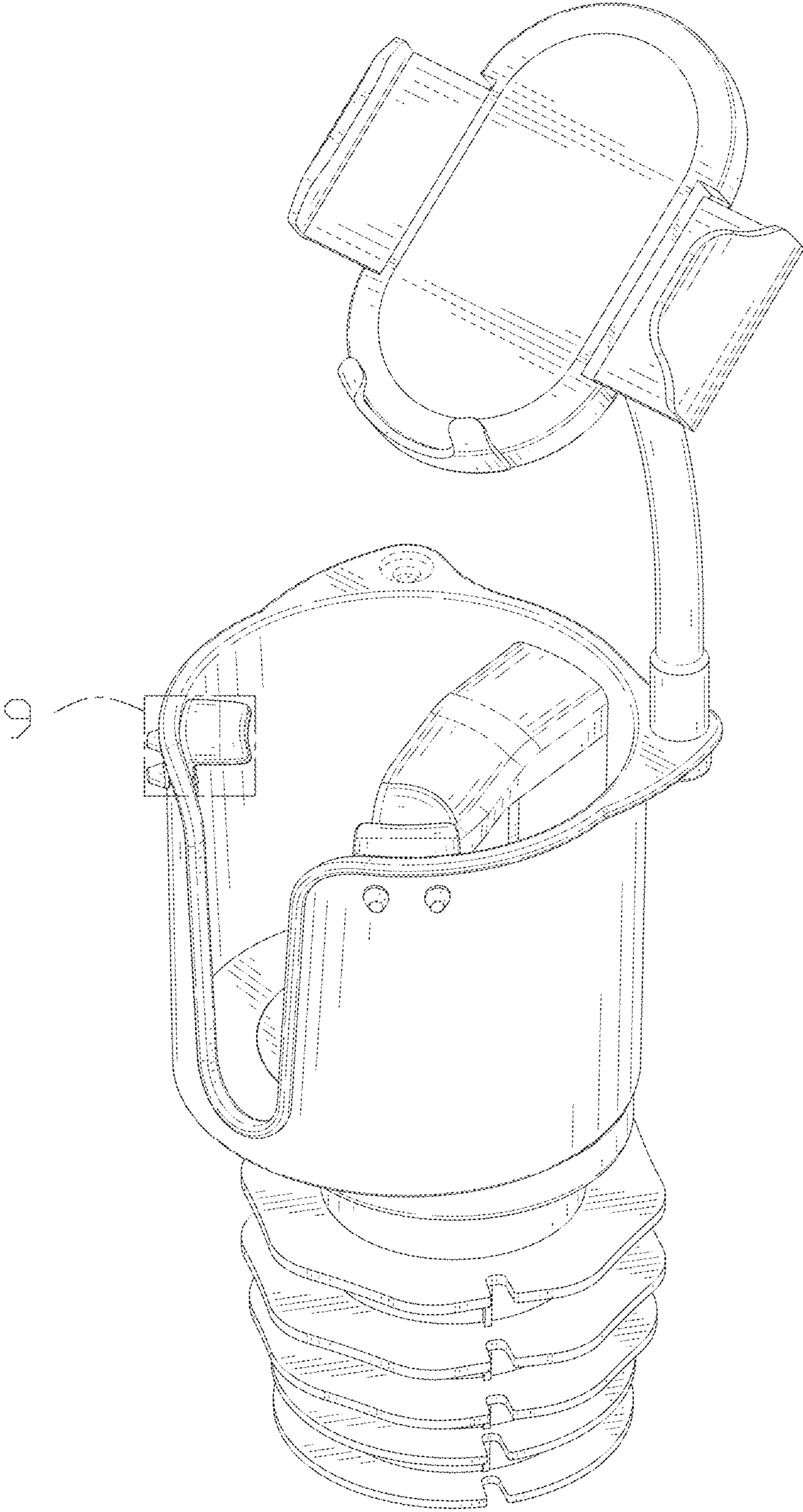


FIG. 1

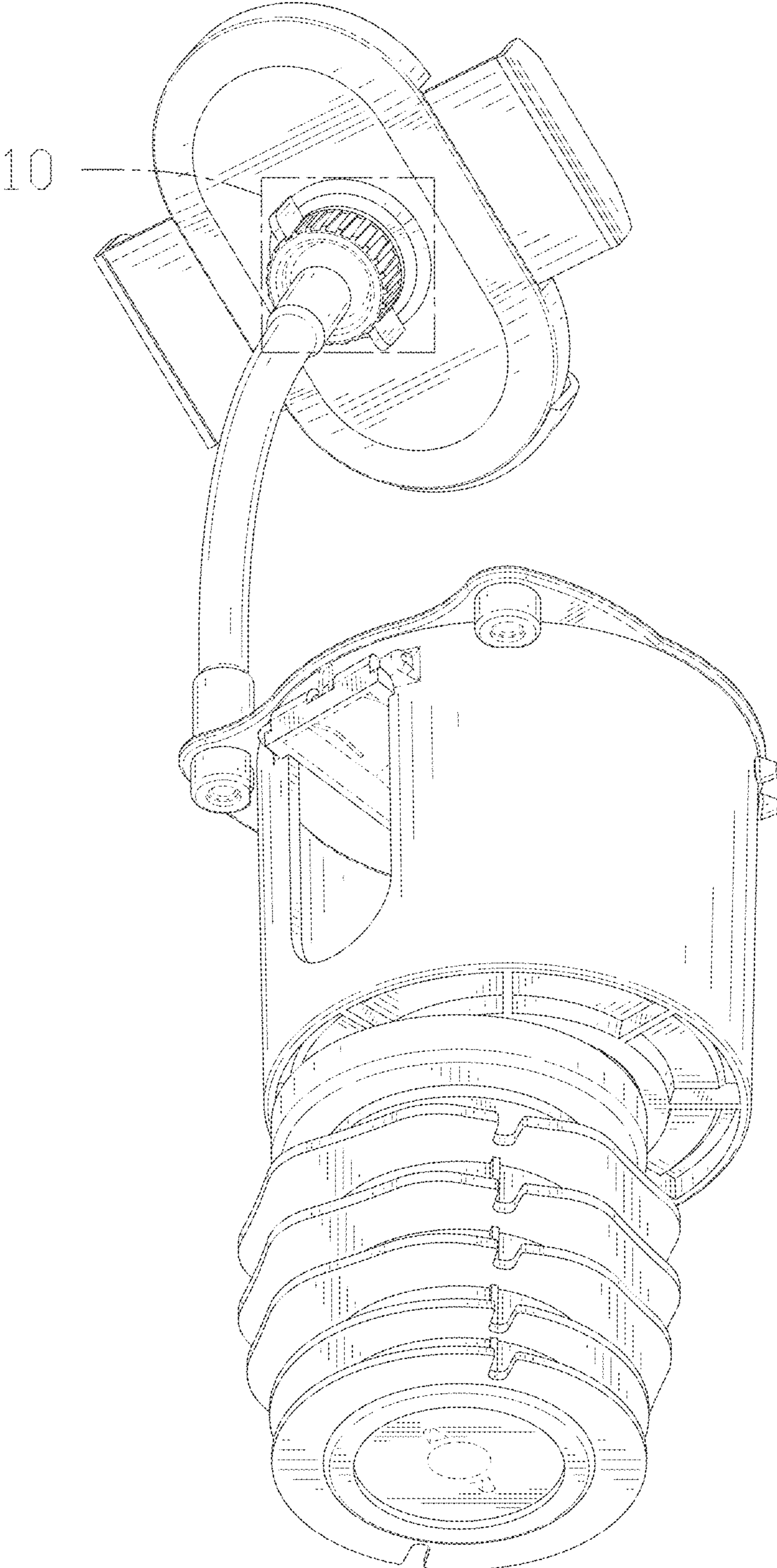


FIG. 2

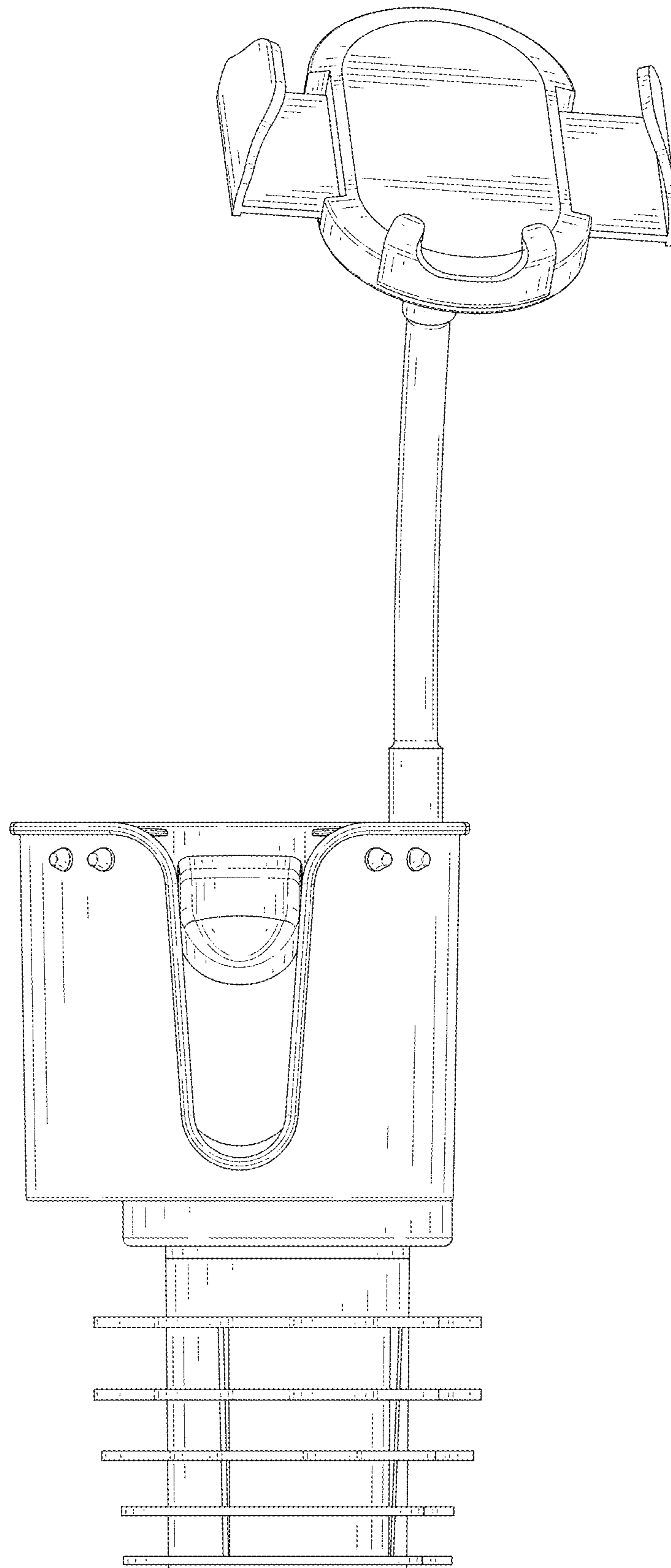


FIG. 3

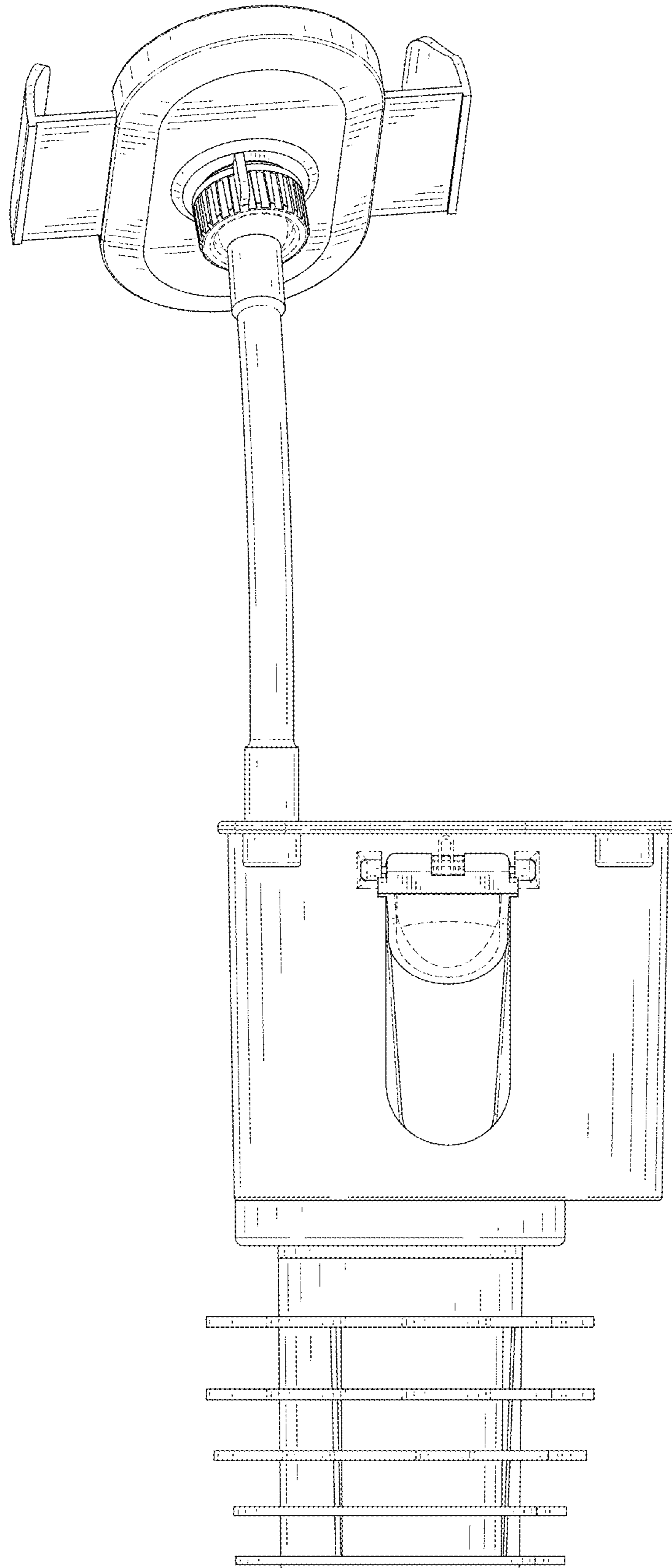


FIG. 4

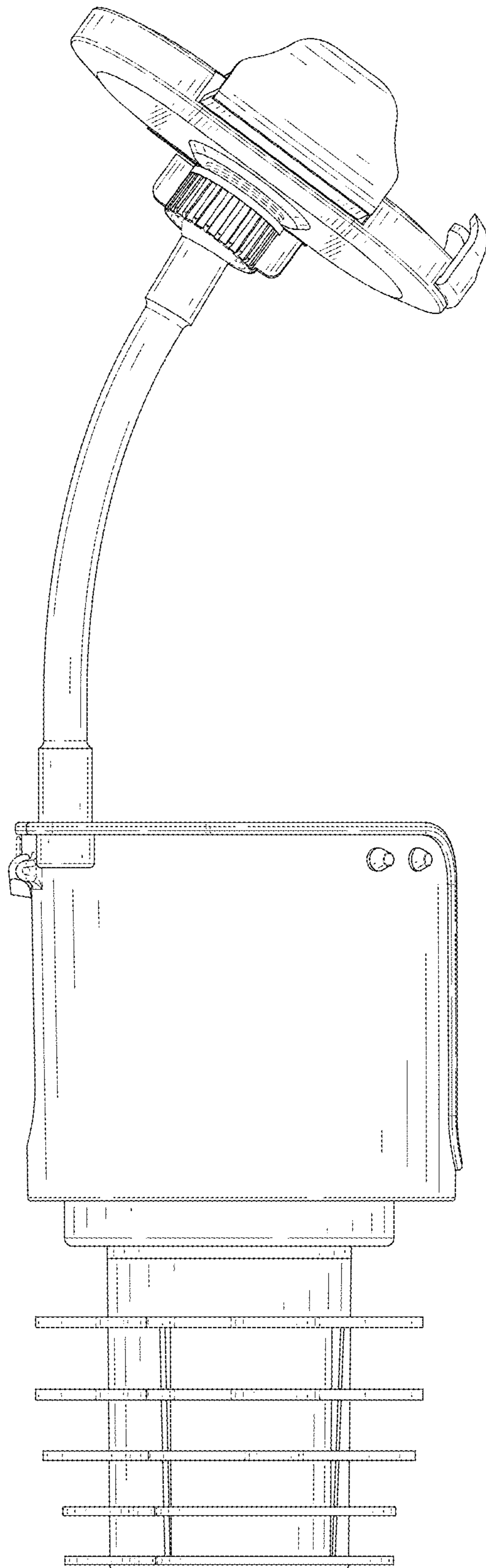


FIG. 5

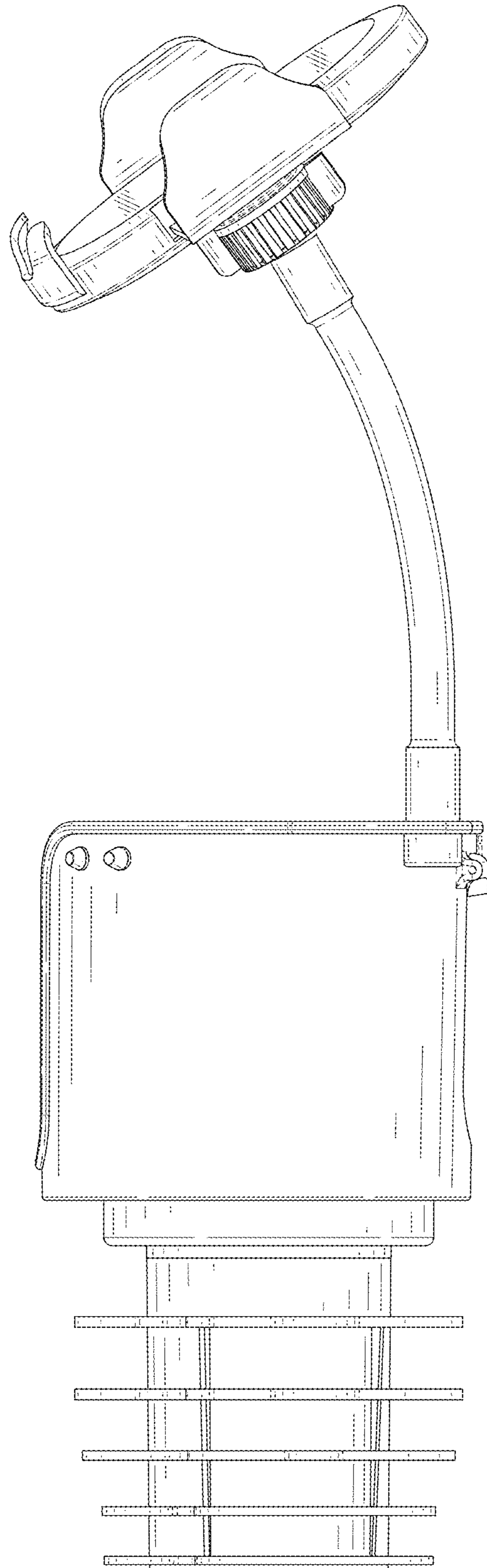


FIG. 6

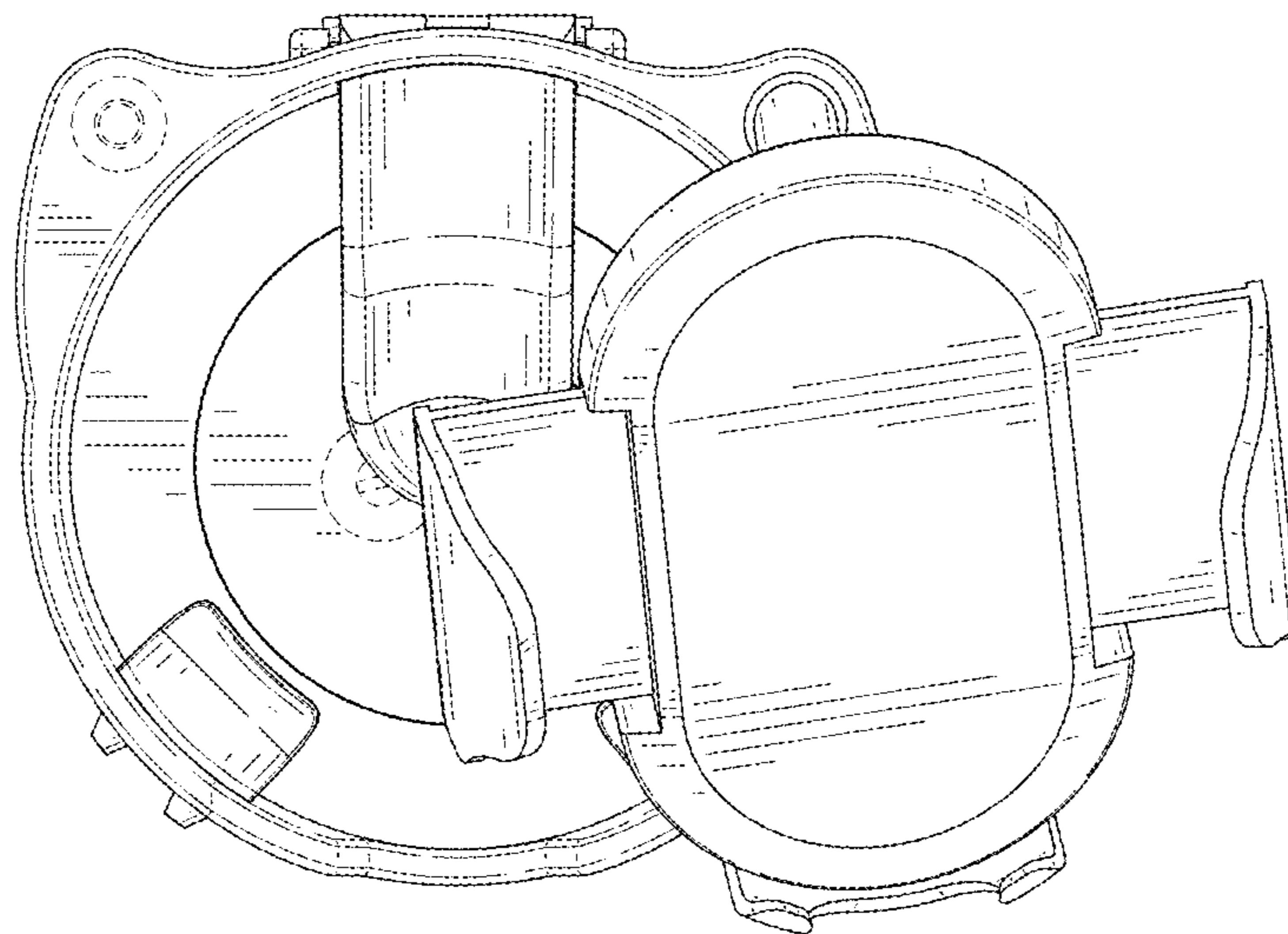


FIG. 7



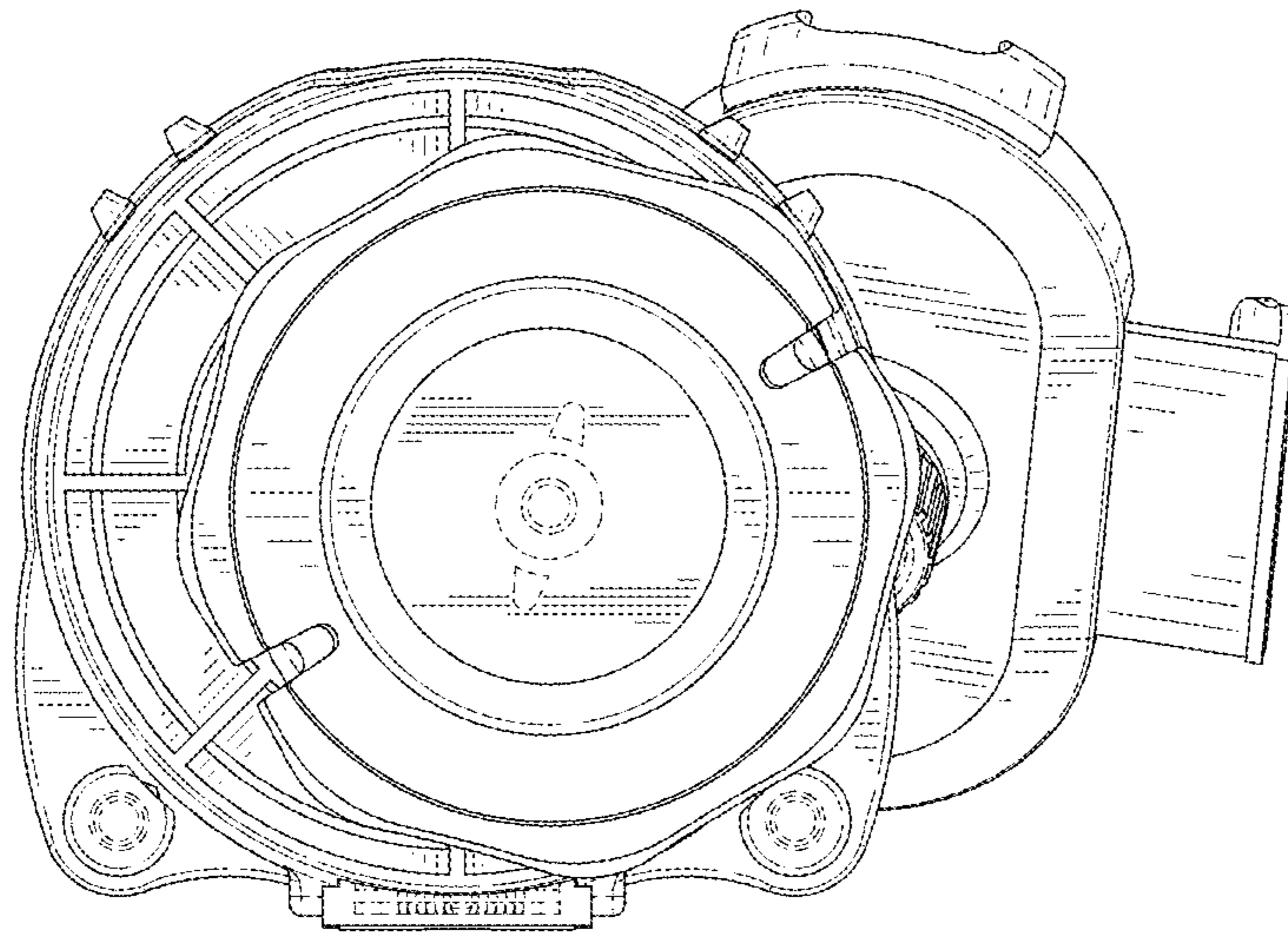


FIG. 8

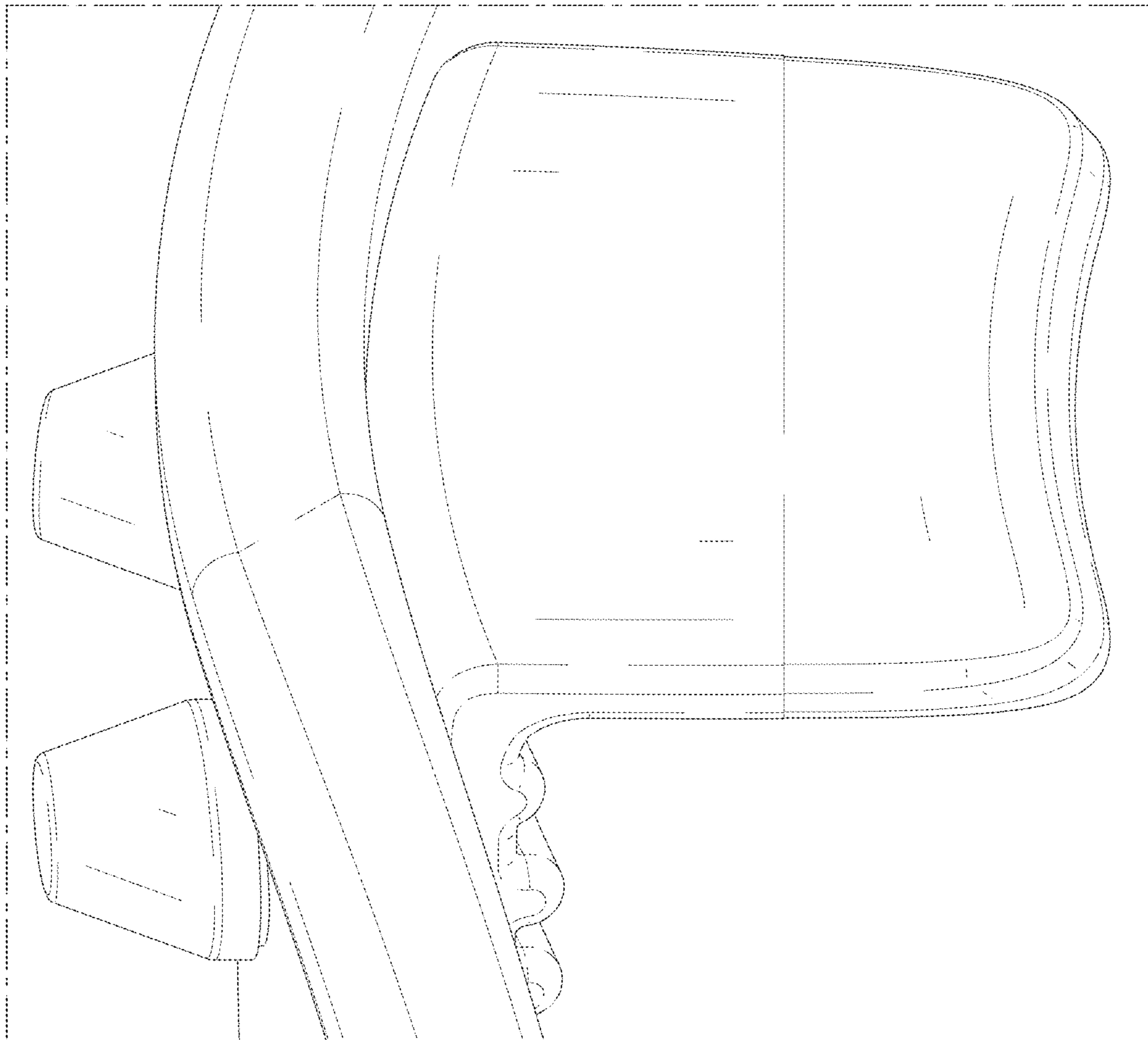


FIG. 9

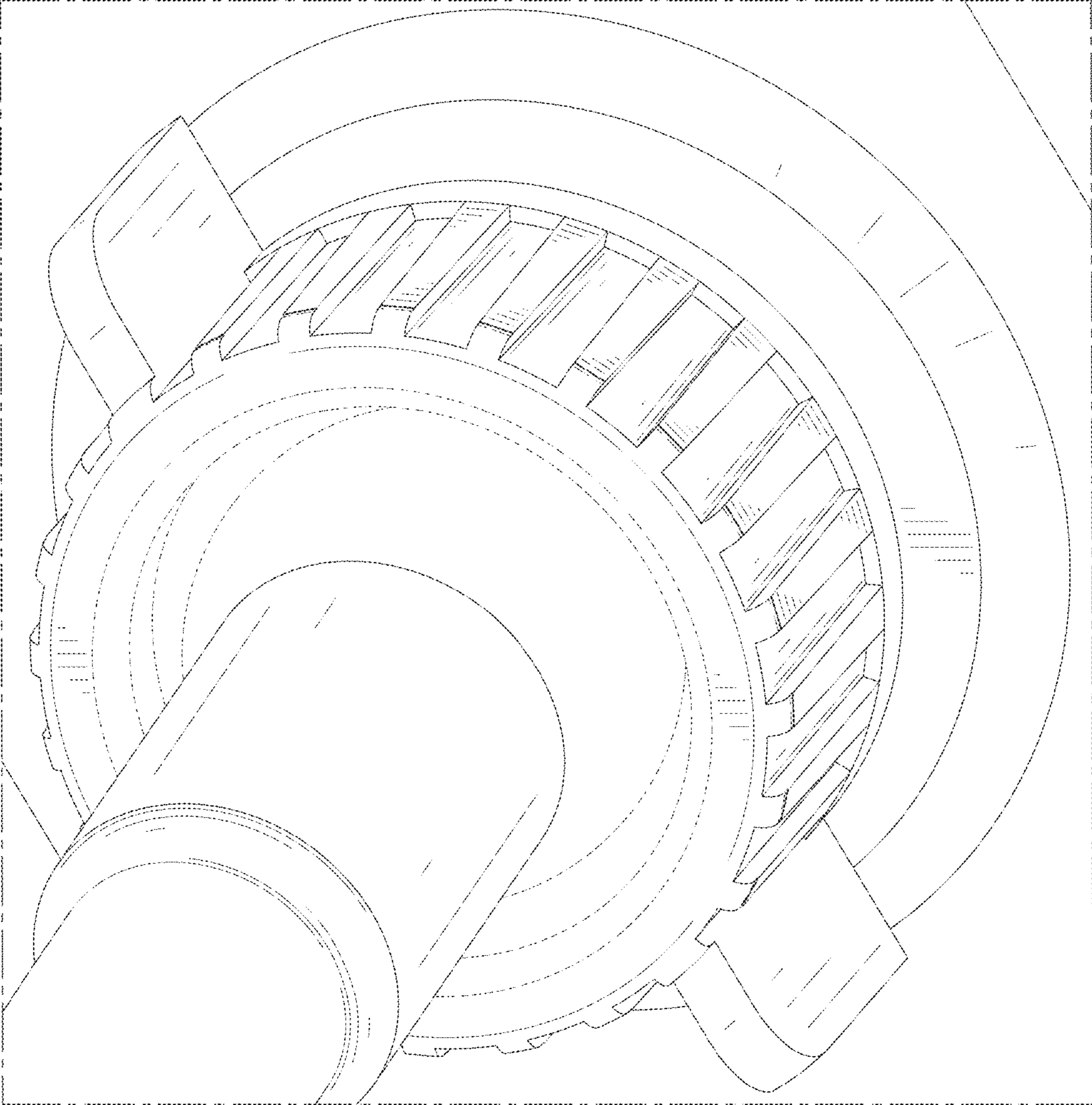


FIG. 10