



US00D972544S

(12) **United States Design Patent** (10) **Patent No.:** **US D972,544 S**
Seo et al. (45) **Date of Patent:** **** Dec. 13, 2022**

(54) **ELECTRONIC DEVICE**

FOREIGN PATENT DOCUMENTS

(71) Applicant: **Samsung Electronics Co., Ltd.**,
Suwon-si (KR)

CN 304792048 8/2018
CN 304986526 1/2019

(Continued)

(72) Inventors: **Yong Seo**, Suwon-si (KR); **Jaehyung Kim**, Suwon-si (KR); **Dae-Kyung Ahn**, Suwon-si (KR); **Kwan-Hee Lee**, Suwon-si (KR)

OTHER PUBLICATIONS

Samsung Galaxy M30s Review, www.mysmartprice.com, Oct. 30, 2019. <https://www.mysmartprice.com/gear/samsung-galaxy-m30s-review/> (Year: 2019).*

(Continued)

(73) Assignee: **SAMSUNG ELECTRONICS CO., LTD.**, Suwon-si (KR)

Primary Examiner — Llorelys Martinez

Assistant Examiner — Kwabena A. Ankobiah

(**) Term: **15 Years**

(74) *Attorney, Agent, or Firm* — McAndrews Held & Malloy, Ltd.

(21) Appl. No.: **29/736,516**

(22) Filed: **Jun. 1, 2020**

(57) **CLAIM**

The ornamental design for an electronic device, as shown and described.

(30) **Foreign Application Priority Data**

DESCRIPTION

Dec. 6, 2019 (KR) 30-2019-0059220

(51) **LOC (13) Cl.** **14-03**

(52) **U.S. Cl.**
USPC **D14/248**

(58) **Field of Classification Search**
USPC D14/138 R, 138 G, 138 AA, 138 AB, D14/138 AC, 138 AD, 496, 248, 203.1, D14/203.3, 203.4, 203.7, 388, 389, 439, D14/426, 348, 342, 341; D13/103, 107; D21/329; D10/50

(Continued)

FIG. 1 is a front perspective view of an electronic device showing our new design;
FIG. 2 is a front elevation view thereof;
FIG. 3 is a rear elevation view thereof;
FIG. 4 is a left side elevation view thereof;
FIG. 5 is a right side elevation view thereof;
FIG. 6 is a top plan view thereof;
FIG. 7 is a bottom plan view thereof; and,
FIG. 8 is another front perspective view thereof, showing the electronic device of FIG. 1 in a state of use.

(56) **References Cited**

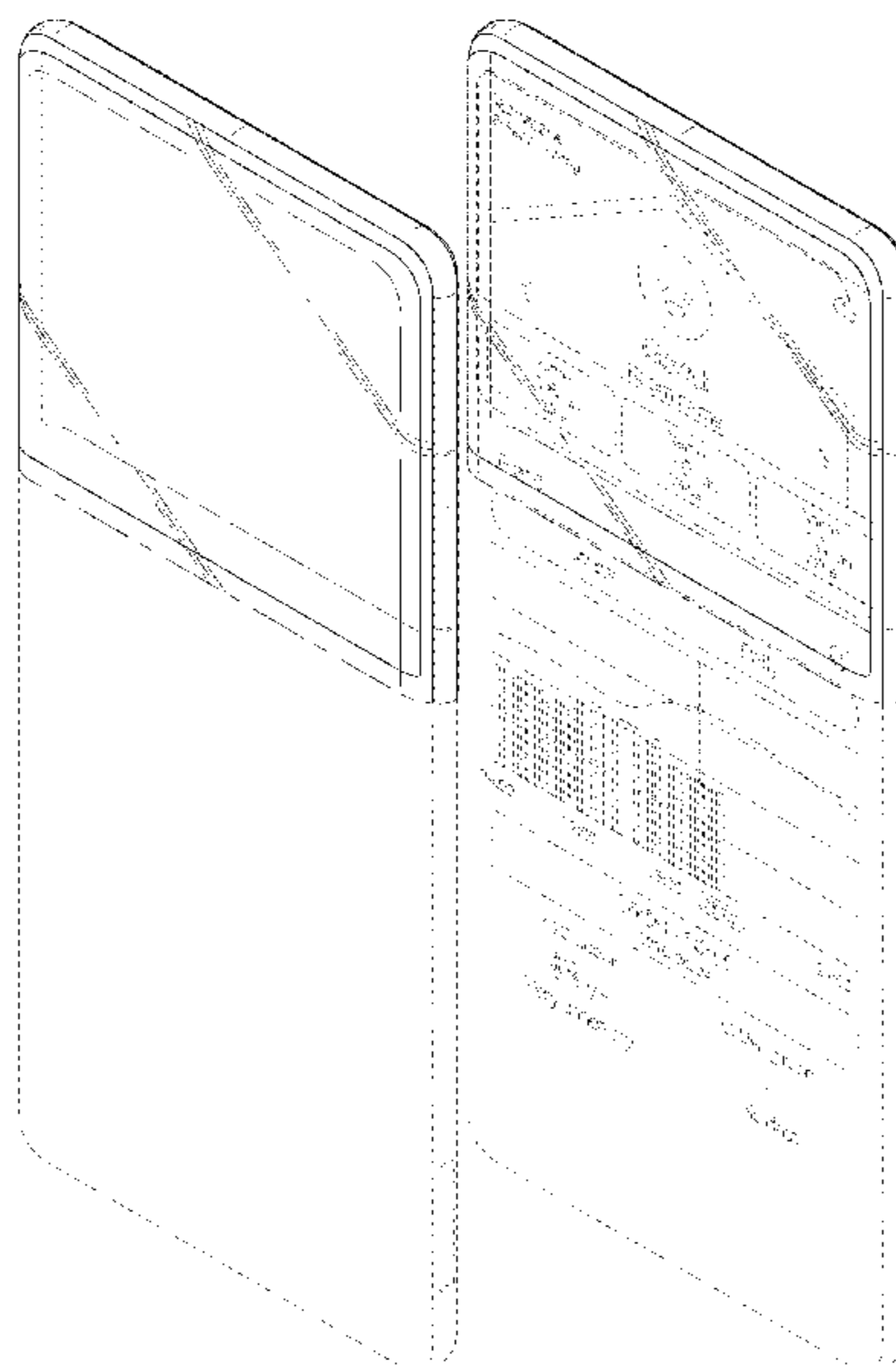
U.S. PATENT DOCUMENTS

D803,205 S * 11/2017 Lee D14/248
D871,400 S * 12/2019 Kim D14/341

(Continued)

The dashed broken lines showing portions of a graphical user interface in FIG. 8 are for the purpose of illustrating environment and form no part of the claimed design. The remaining dashed broken lines in the figures illustrate portions of the electronic device that form no part of the claimed design. The dot-dash broken lines in FIGS. 1-5, and 8 define a boundary of the claimed design and form no part thereof.

1 Claim, 8 Drawing Sheets



(58) **Field of Classification Search**

CPC G06F 3/041; G06F 3/0412; G06F 3/0488;
G06F 3/04883; G06F 1/1613; G06F
1/1692; G06F 1/1626; G06F 2200/1633;
A63H 33/3016

See application file for complete search history.

D938,404 S * 12/2021 Seo D14/248
D939,487 S * 12/2021 Kim D14/248
D946,561 S * 3/2022 Seo D14/248

FOREIGN PATENT DOCUMENTS

CN 305081120 3/2019
CN 305396615 10/2019
CN 305396621 10/2019

(56) **References Cited**

U.S. PATENT DOCUMENTS

D892,780 S * 8/2020 Park D14/248
D898,008 S * 10/2020 Seo D14/248
D907,613 S * 1/2021 Seo D14/248
D916,066 S * 4/2021 Seo D14/248
D922,991 S * 6/2021 Seo D14/248
D922,992 S * 6/2021 Seo D14/248
D927,471 S * 8/2021 Park D14/248
D932,476 S * 10/2021 Park D14/248

OTHER PUBLICATIONS

Samsung Galaxy M30s with 6000 mAh Unboxing & Overview,
[www.youtube.com](https://www.youtube.com/watch?v=IPr6b5kTsy4), Sep. 17, 2019. <https://www.youtube.com/watch?v=IPr6b5kTsy4> (Year: 2019).*
Samsung Galaxy S20 FE 5G [www.amazon.com](https://www.amazon.com/Samsung-Factory-Unlocked-Smartphone-Pro-Grade/dp/B08FYV84JT?th=1), Sep. 23, 2020.
<https://www.amazon.com/Samsung-Factory-Unlocked-Smartphone-Pro-Grade/dp/B08FYV84JT?th=1> (Year: 2020).*

* cited by examiner

FIG. 1

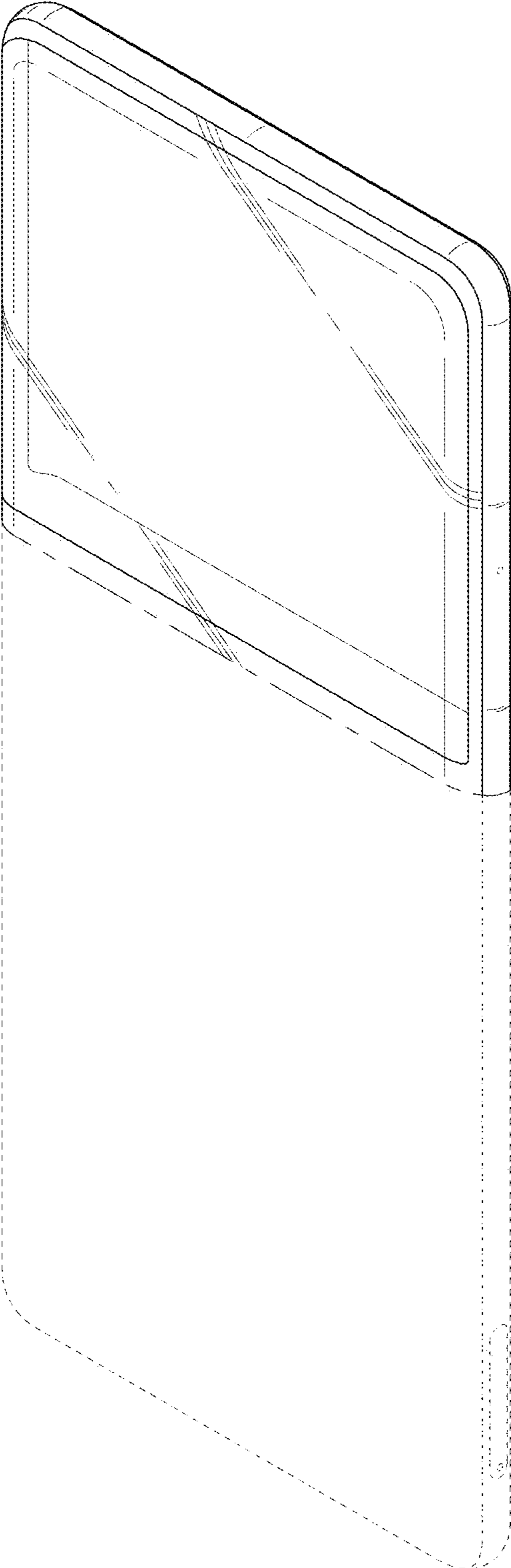


FIG. 2

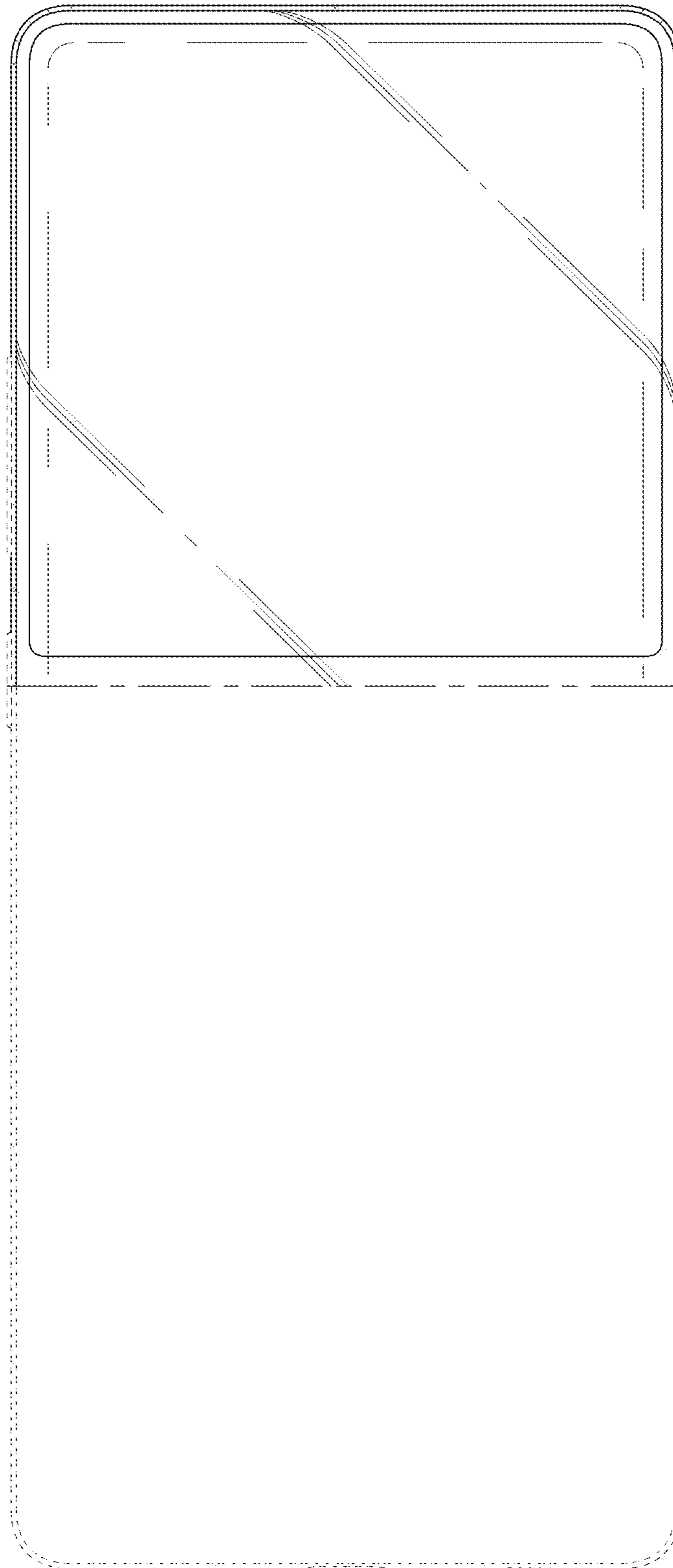


FIG. 3

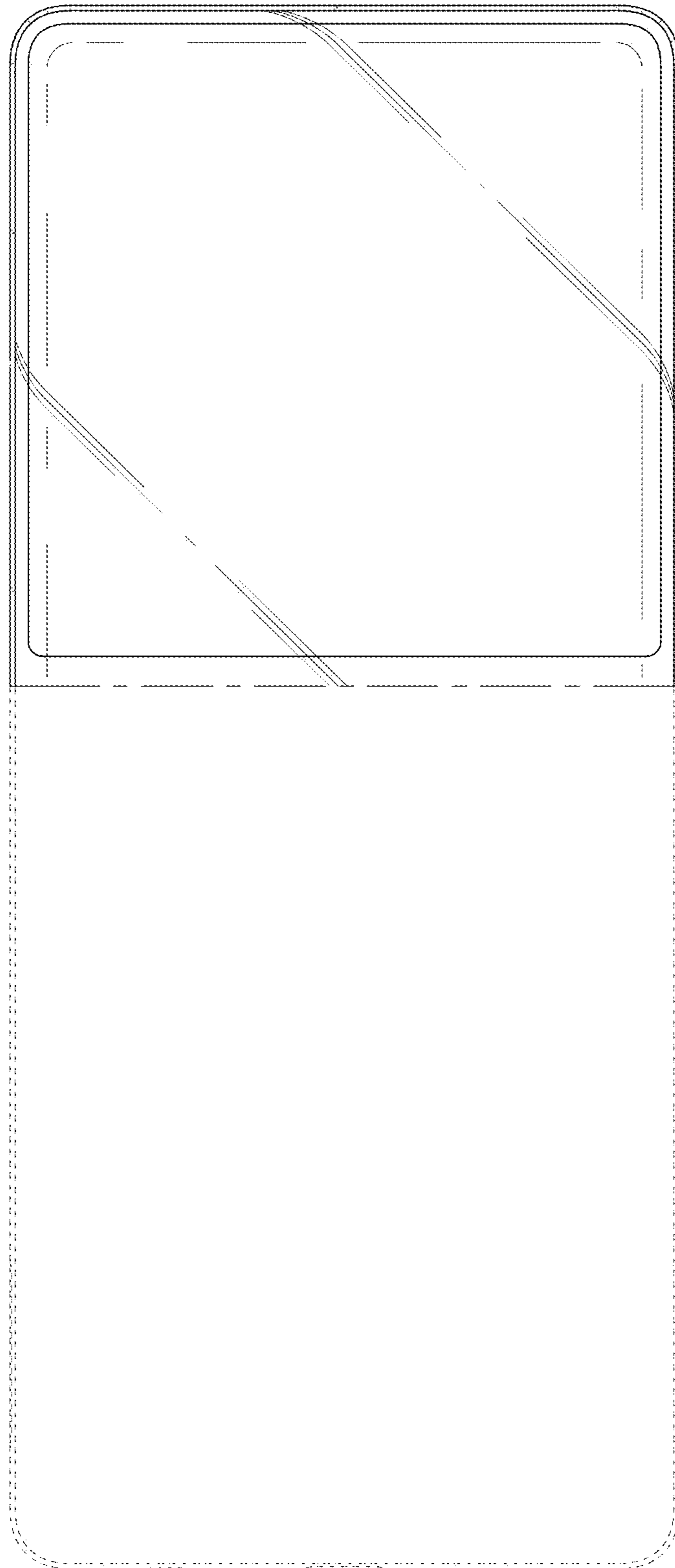


FIG. 4

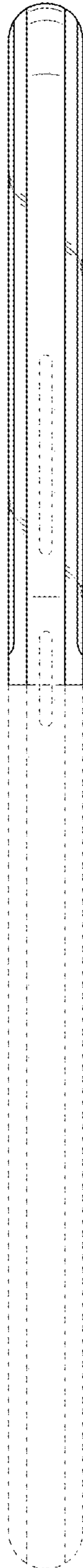


FIG. 5

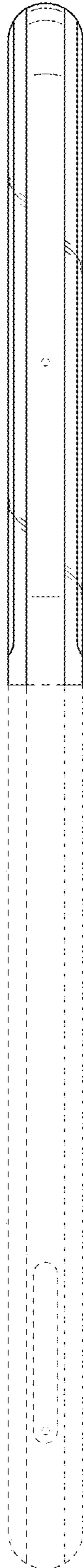


FIG. 6



FIG. 7

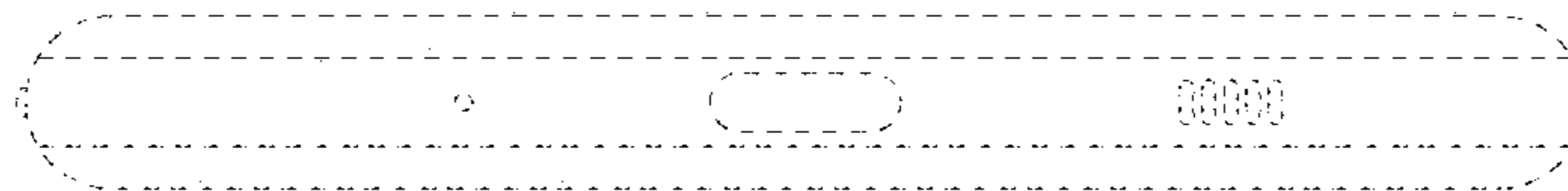


FIG. 8

