



US00D972541S

(12) **United States Design Patent** (10) **Patent No.:** **US D972,541 S**
Ju (45) **Date of Patent:** **** Dec. 13, 2022**

(54) **NETWORK SWITCH**

(71) Applicant: **Samsung Electronics Co., Ltd.**,
Suwon-si (KR)

(72) Inventor: **Taihyung Ju**, Suwon-si (KR)

(73) Assignee: **Samsung Electronics Co., Ltd.**,
Suwon-si (KR)

(**) Term: **15 Years**

(21) Appl. No.: **29/777,414**

(22) Filed: **Apr. 6, 2021**

(30) **Foreign Application Priority Data**

Dec. 14, 2020 (KR) 30-2020-0061899

(51) **LOC (13) Cl.** **14-03**

(52) **U.S. Cl.**
USPC **D14/240**

(58) **Field of Classification Search**
USPC D14/240, 242, 357, 358, 140-140.9, 155,
D14/125, 137, 139, 243, 348, 349, 351,
D14/354, 355, 313; D13/184
CPC H04L 12/00; H03K 17/00; H04W 88/00;
H04W 88/005; H04W 88/02; H04W
88/08; H04W 88/085; H04W 88/10;
H04W 88/12; H04W 88/14; H04B 1/38
See application file for complete search history.

(56) **References Cited**

U.S. PATENT DOCUMENTS

D431,239 S * 9/2000 Sasago D14/313
D536,675 S * 2/2007 Millar D13/184
D541,263 S * 4/2007 Yao D14/240
D585,441 S * 1/2009 Alfonso D14/313
D606,542 S * 12/2009 Lu D14/240
D730,307 S * 5/2015 Tang D14/125
D767,546 S * 9/2016 Kwak D14/240
D767,547 S * 9/2016 Kwak D14/240

D785,616 S * 5/2017 Zimmermann D14/313
D886,087 S * 6/2020 Jang D14/240
D895,561 S * 9/2020 Xiang D13/133

(Continued)

FOREIGN PATENT DOCUMENTS

JP D1691935 * 8/2021
JP D1691936 * 8/2021
JP D1691937 * 8/2021

(Continued)

Primary Examiner — Bridget L Eland

(74) *Attorney, Agent, or Firm* — NSIP Law

(57) **CLAIM**

I claim the ornamental design for a network switch, as shown and described.

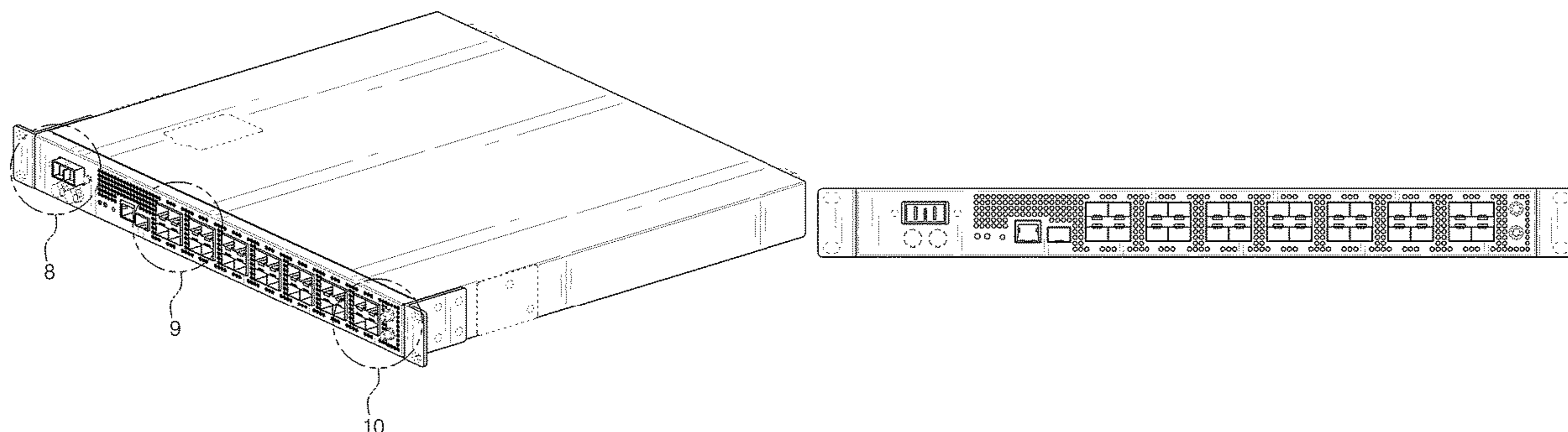
DESCRIPTION

FIG. 1 is a front perspective view of a network switch showing my new design;
FIG. 2 is a front view thereof;
FIG. 3 is a rear view thereof;
FIG. 4 is a left-side view thereof;
FIG. 5 is a right-side view thereof;
FIG. 6 is a top view thereof;
FIG. 7 is a bottom view thereof;
FIG. 8 is an enlarged view of the encircled portion 8 in FIG. 1;
FIG. 9 is an enlarged view of the encircled portion 9 in FIG. 1; and,
FIG. 10 is an enlarged view of the encircled portion 10 in FIG. 1.

The evenly-dashed broken lines in the figures depict portions of the network switch which form no part of the claimed design.

The dot-dot-dash broken lines encircling portions of the claimed design that are illustrated in enlargements form no part of the claimed design.

1 Claim, 8 Drawing Sheets



(56)

References Cited

U.S. PATENT DOCUMENTS

D937,235 S * 11/2021 Xiang D13/133
D937,236 S * 11/2021 Xiang D13/133

FOREIGN PATENT DOCUMENTS

KR 301132246.0000 * 10/2021
KR 301140399.0000 * 12/2021
KR 301140400.0000 * 12/2021
KR 301140401.0000 * 12/2021

* cited by examiner

FIG. 1

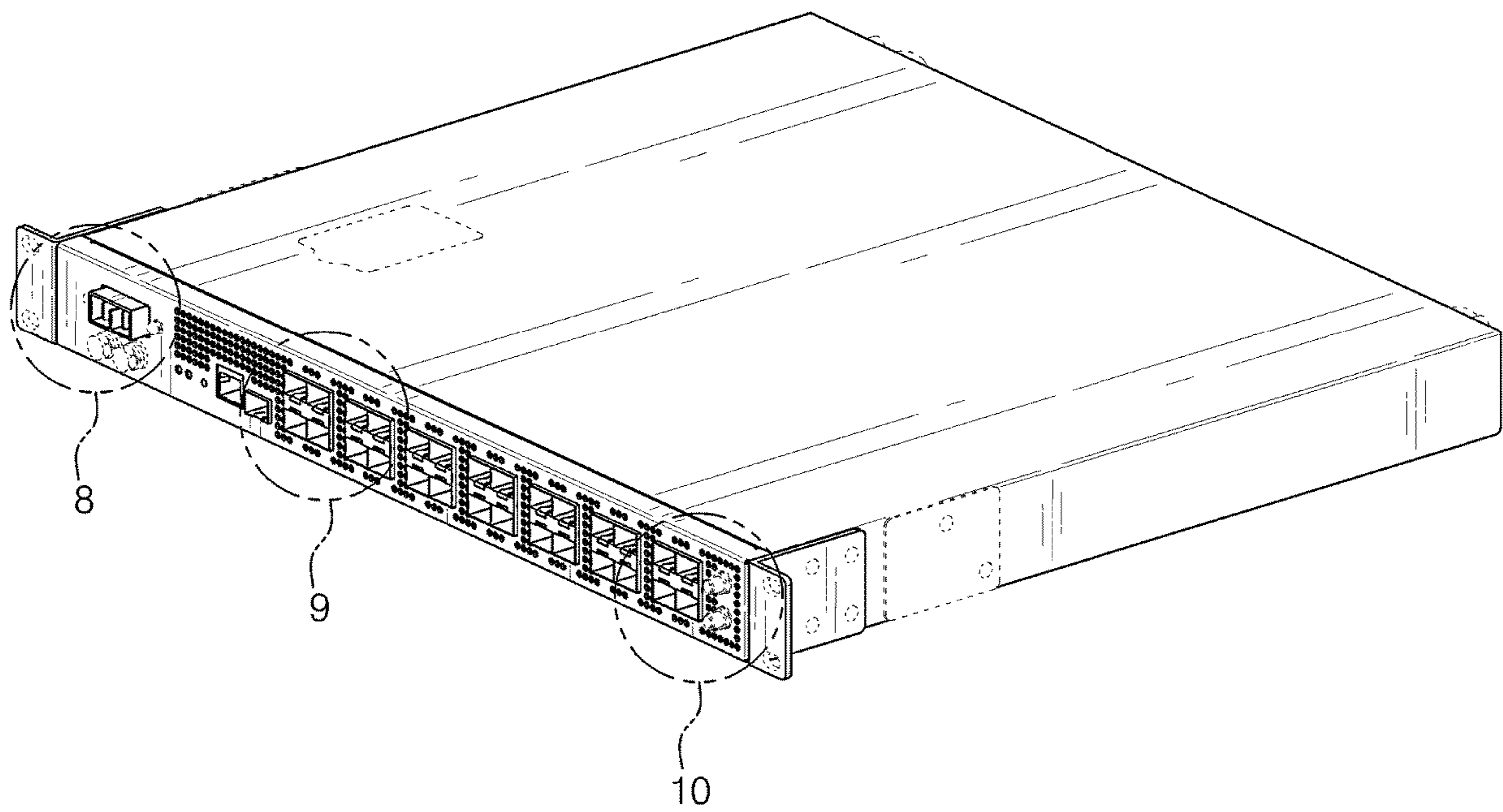


FIG. 2

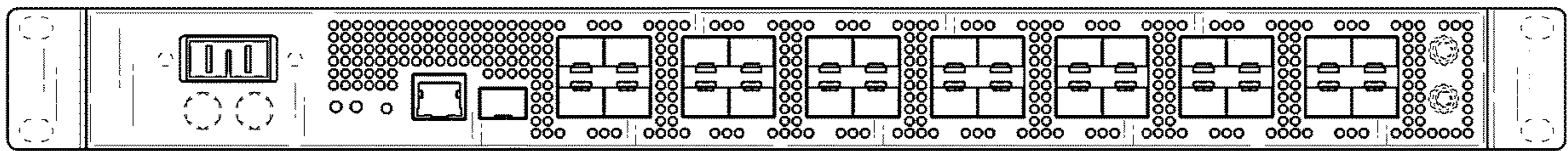


FIG. 3

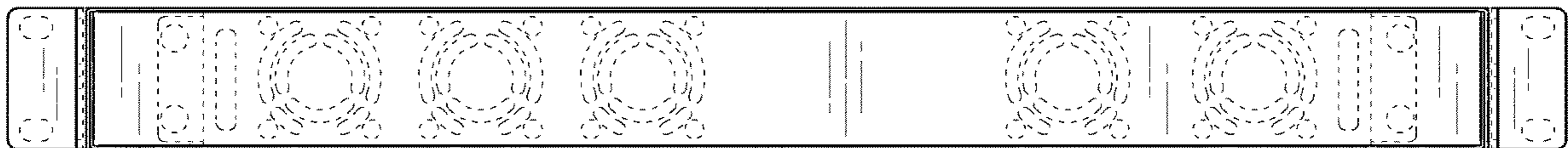


FIG. 4

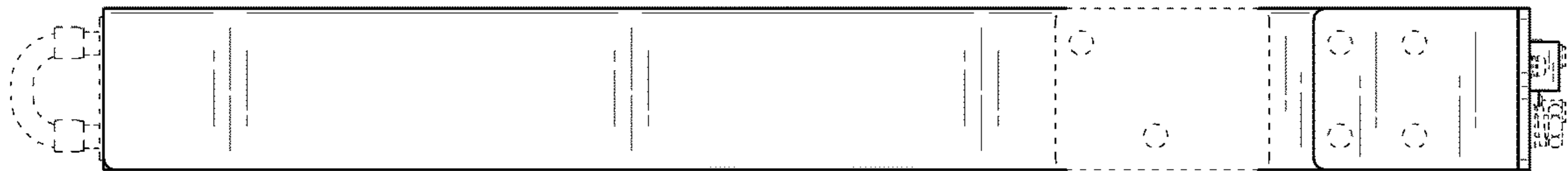


FIG. 5

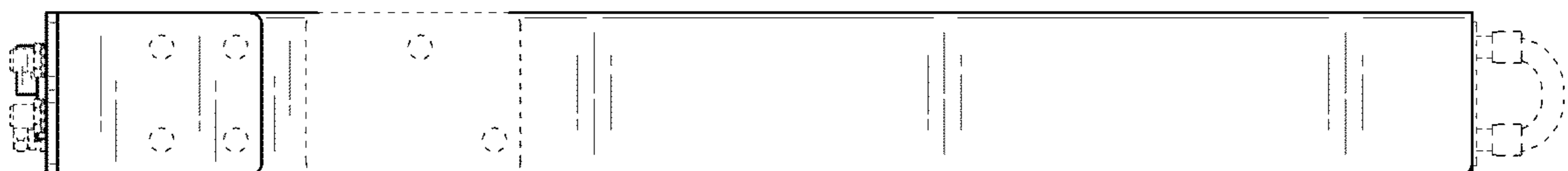


FIG. 6

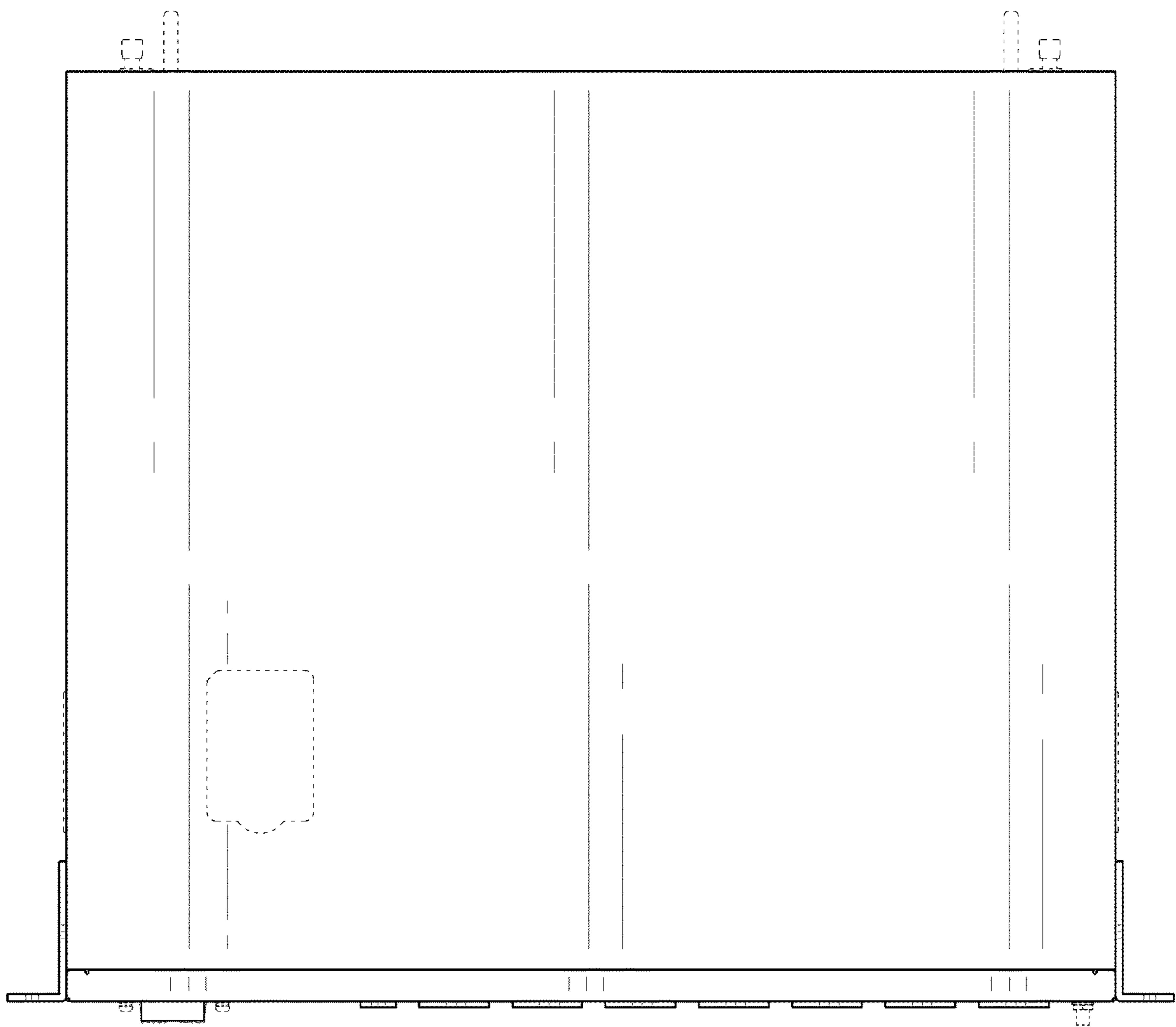


FIG. 7

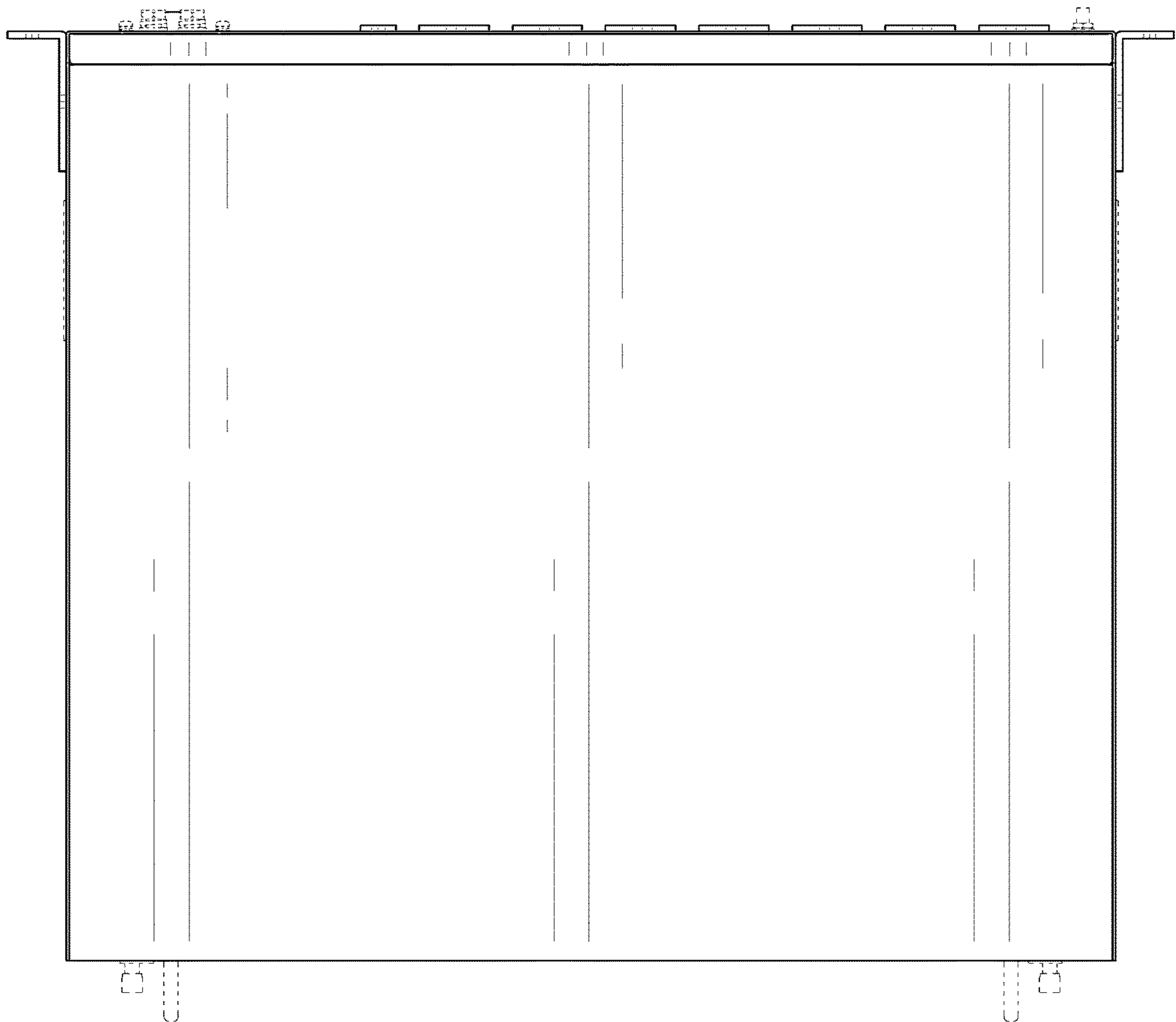


FIG. 8

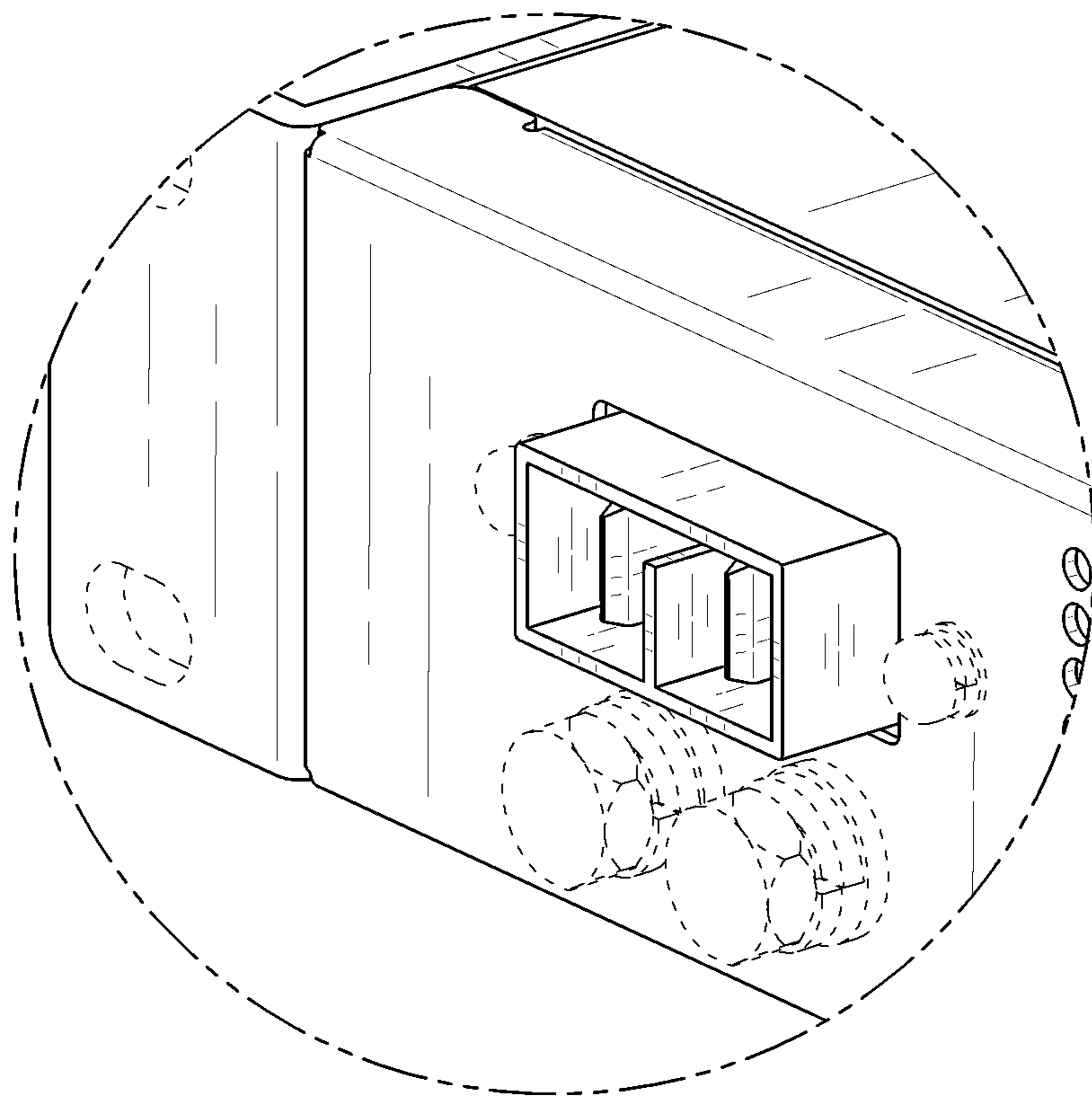


FIG. 9

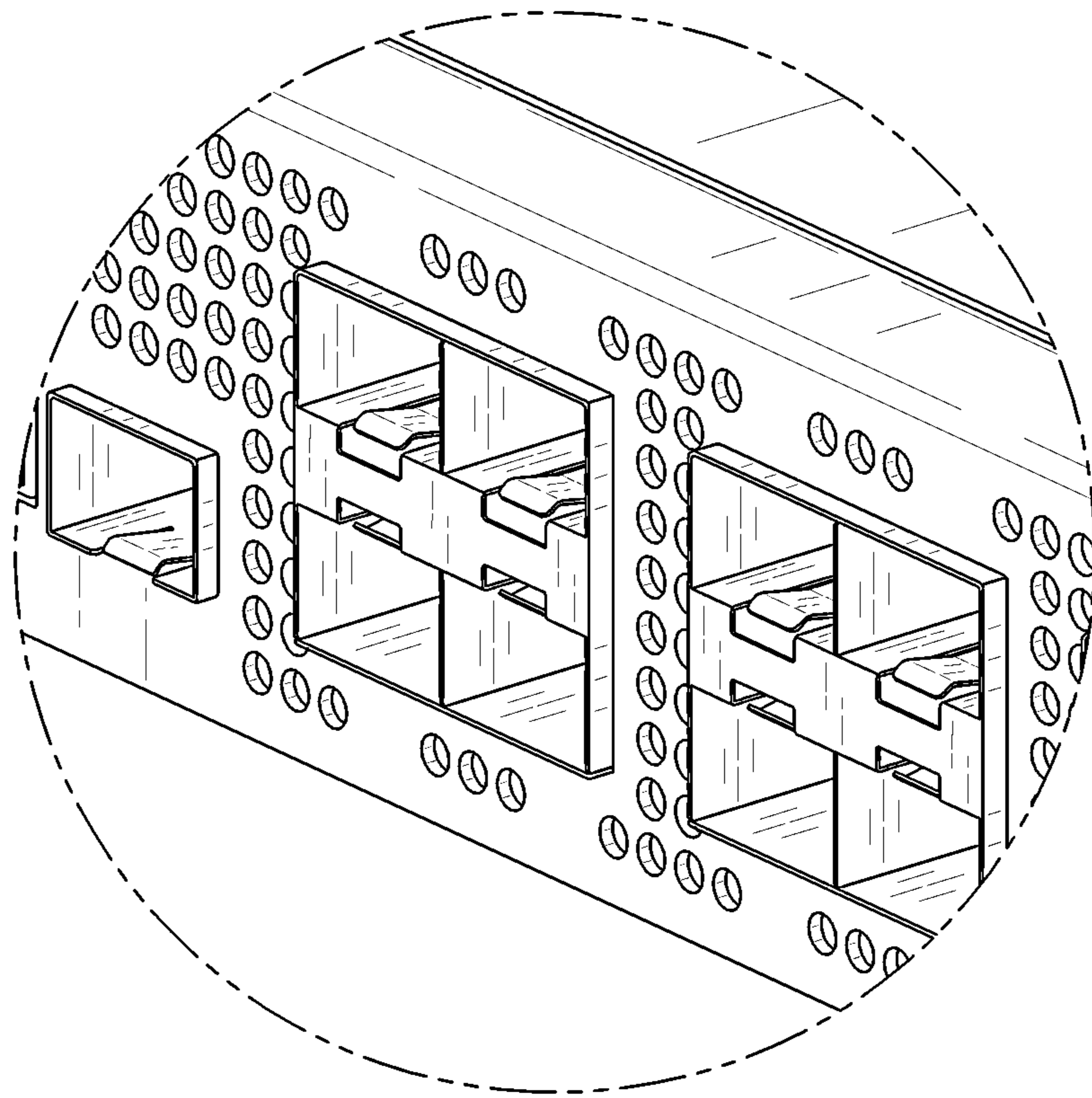


FIG. 10

