



US00D972538S

(12) **United States Design Patent** (10) **Patent No.:** **US D972,538 S**
Hu (45) **Date of Patent:** **** Dec. 13, 2022**

(54) **ULTRA-WIDEBAND HORN ANTENNA**

FOREIGN PATENT DOCUMENTS

(71) Applicant: **Nan Hu**, Irvine, CA (US)

CN 303816245 * 8/2016
CN 304122823 * 5/2017

(72) Inventor: **Nan Hu**, Irvine, CA (US)

(Continued)

(**) Term: **15 Years**

OTHER PUBLICATIONS

(21) Appl. No.: **29/767,316**

Pasternack, "Broadband Gain Horn Antenna . . ." available at pasternack.com, date published 2016, site visited Aug. 23, 2022, Available at URL: <https://bit.ly/3R3wffC> (Year: 2016).*

(22) Filed: **Jan. 21, 2021**

(Continued)

(51) **LOC (13) Cl.** **14-03**

(52) **U.S. Cl.**

USPC **D14/230**

(58) **Field of Classification Search**

USPC D14/230, 232-239, 343; D13/173, 182,
D13/184, 199, 101, 117, 18, 154, 155
CPC .. G01S 13/4409; G01S 13/4481; H01P 1/161;
H01Q 13/0208; H01Q 13/10; H01Q
13/00; H01Q 13/02; H01Q 13/0241;
H01Q 19/13; H01Q 3/08

See application file for complete search history.

Primary Examiner — Daniel J Domino

Assistant Examiner — Samina Vieth

(74) *Attorney, Agent, or Firm* — Law Offices of James Zhou; Jianmin Zhou

(57) **CLAIM**

The ornamental design for an ultra-wideband horn antenna, as shown and described.

(56) **References Cited**

U.S. PATENT DOCUMENTS

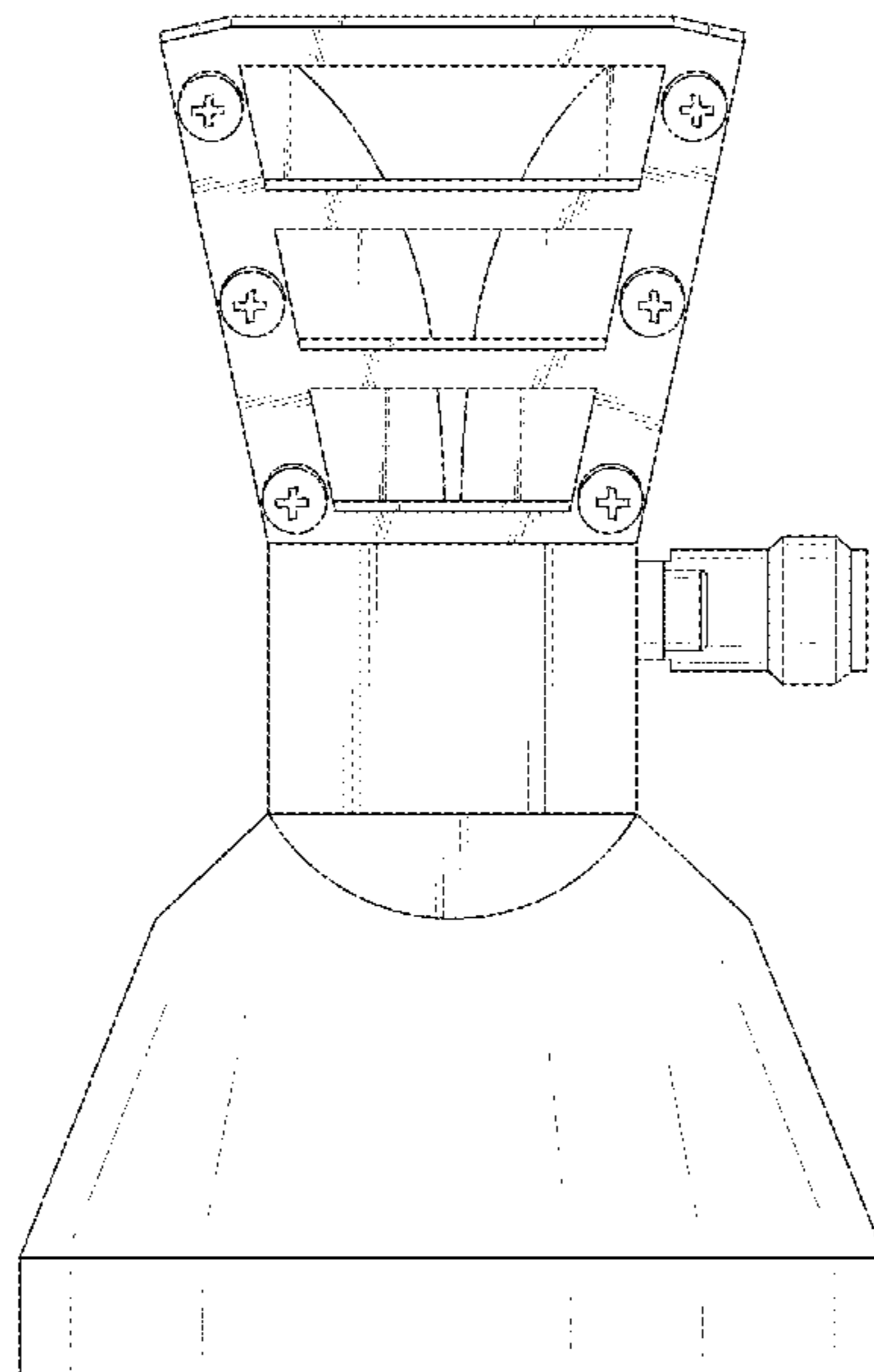
2,012,538 A * 8/1935 Krohn G10K 11/08
181/178
2,825,060 A * 2/1958 Ruze H01Q 13/0258
343/756
2,963,701 A * 12/1960 Hagaman H01Q 3/34
342/368
3,162,828 A * 12/1964 Schmidt H01P 1/161
343/756
3,267,475 A * 8/1966 Howard G01S 13/4454
343/858
4,533,919 A * 8/1985 Dragone H01Q 13/0208
343/786
4,731,616 A * 3/1988 Fulton H01Q 13/025
343/781 R
D337,591 S * 7/1993 Buhyoff D14/239
D345,145 S * 3/1994 Fogg D13/184

(Continued)

DESCRIPTION

FIG. 1 is a rear view of an ultra-wideband horn antenna design showing my new design.
FIG. 2 is a front view of an ultra-wideband horn antenna.
FIG. 3 is a left side view of an ultra-wideband horn antenna.
FIG. 4 is a right side view of an ultra-wideband horn antenna.
FIG. 5 is a top view of an ultra-wideband horn antenna; and, FIG. 6 is a bottom view of an ultra-wideband horn antenna. Any shading and cross-hatching are not features of the design but are utilized to illustrate the surface contours of the ultra-wideband horn antenna design in the drawings. The broken lines depict portions of the ultra-wideband horn antenna that form no part of the claimed design.

1 Claim, 6 Drawing Sheets



(56)

References Cited

U.S. PATENT DOCUMENTS

5,329,285 A * 7/1994 McCandless G01S 13/4409
 342/153
 D363,464 S * 10/1995 Fukasawa D13/182
 D503,155 S * 3/2005 Noji D13/153
 6,995,728 B2 * 2/2006 Rodriguez H01Q 13/0275
 343/786
 7,969,376 B2 * 6/2011 Steghafner H01Q 13/0275
 343/773
 8,248,321 B2 * 8/2012 Anderson H01Q 13/025
 343/786
 D869,447 S * 12/2019 Hu D14/230
 11,031,692 B1 * 6/2021 Hu H01Q 13/0275
 2003/0210197 A1 * 11/2003 Cencich H01Q 13/0241
 343/786
 2005/0017915 A1 * 1/2005 Brown H01Q 1/364
 343/786
 2005/0078044 A1 * 4/2005 Rodriguez H01Q 13/0275
 343/786
 2009/0079649 A1 * 3/2009 Steghafner H01Q 13/0275
 343/786
 2016/0020519 A1 * 1/2016 Park H01Q 21/0037
 343/756

2016/0164189 A1* 6/2016 Jafarlou H01Q 13/02
 29/601
 2021/0255227 A1* 8/2021 Hu G01R 29/0878
 2021/0305708 A1* 9/2021 Hu H01Q 13/025

FOREIGN PATENT DOCUMENTS

CN 306217152 * 12/2020
 CN 30169760 * 3/2022
 CN 307256057 * 4/2022

OTHER PUBLICATIONS

Aaronia, "PowerLOG 40400 Microwave Horn Antenna . . ." available at distek.ro, date published Aug. 3, 2016, site visited Aug. 23, 2022, Available at URL: <http://www.distek.ro/en/Product/AARONIA-PowerLOG-40400-Microwave-Horn-Antenna-4GHz..40GHz-3511> (Year: 2016).*

RFEcho, "Broadband Dual Ridged Horn Antenna," available at rfecho.com, date published 2017, site visited Aug. 23, 2022, Available at URL: <https://www.rfecho.com/product/10-5-dbi-gain-1-ghz-to-18-ghz-broadband-horn-antenna/> (Year: 2017).*

* cited by examiner

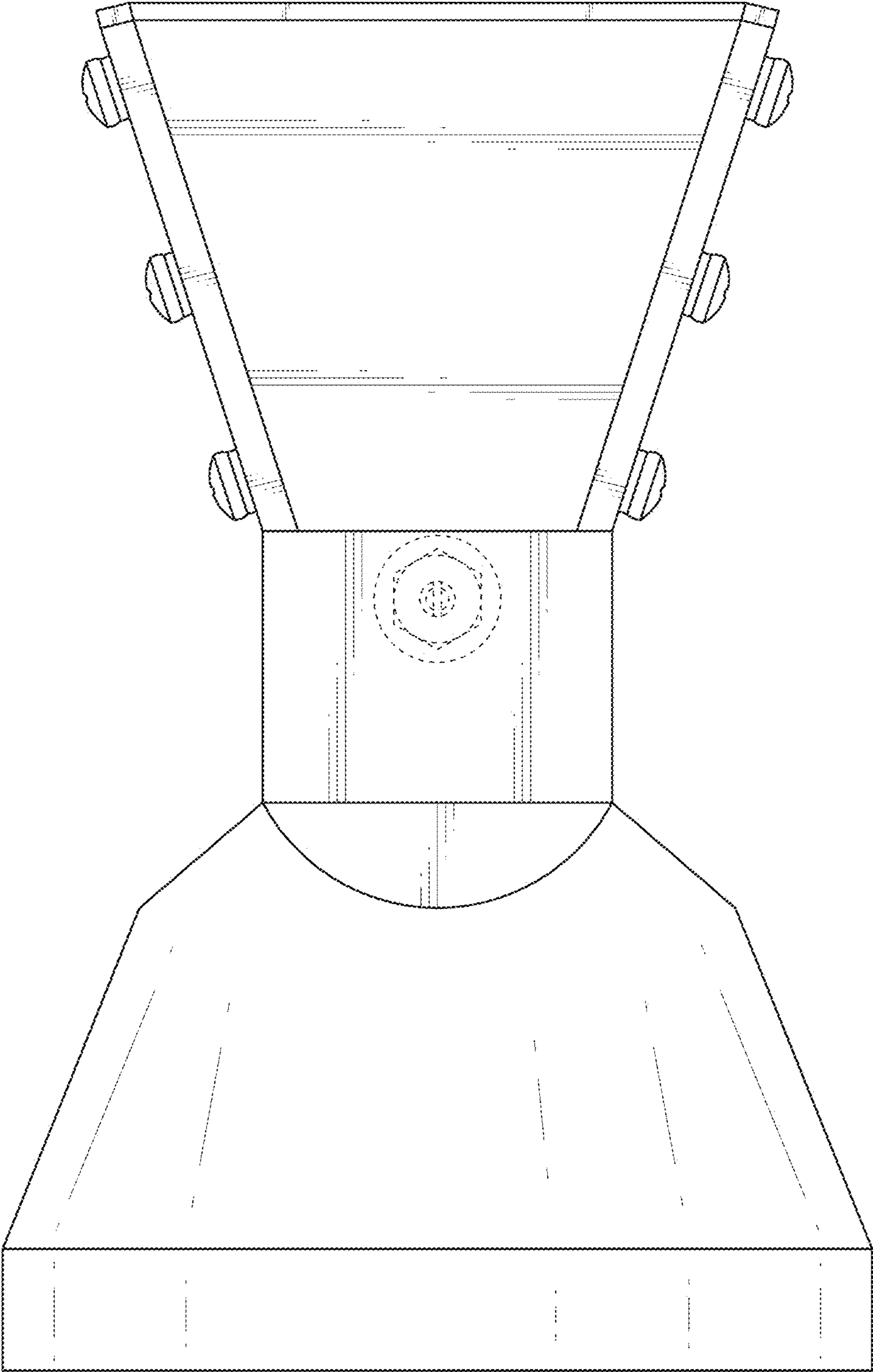


FIG. 1

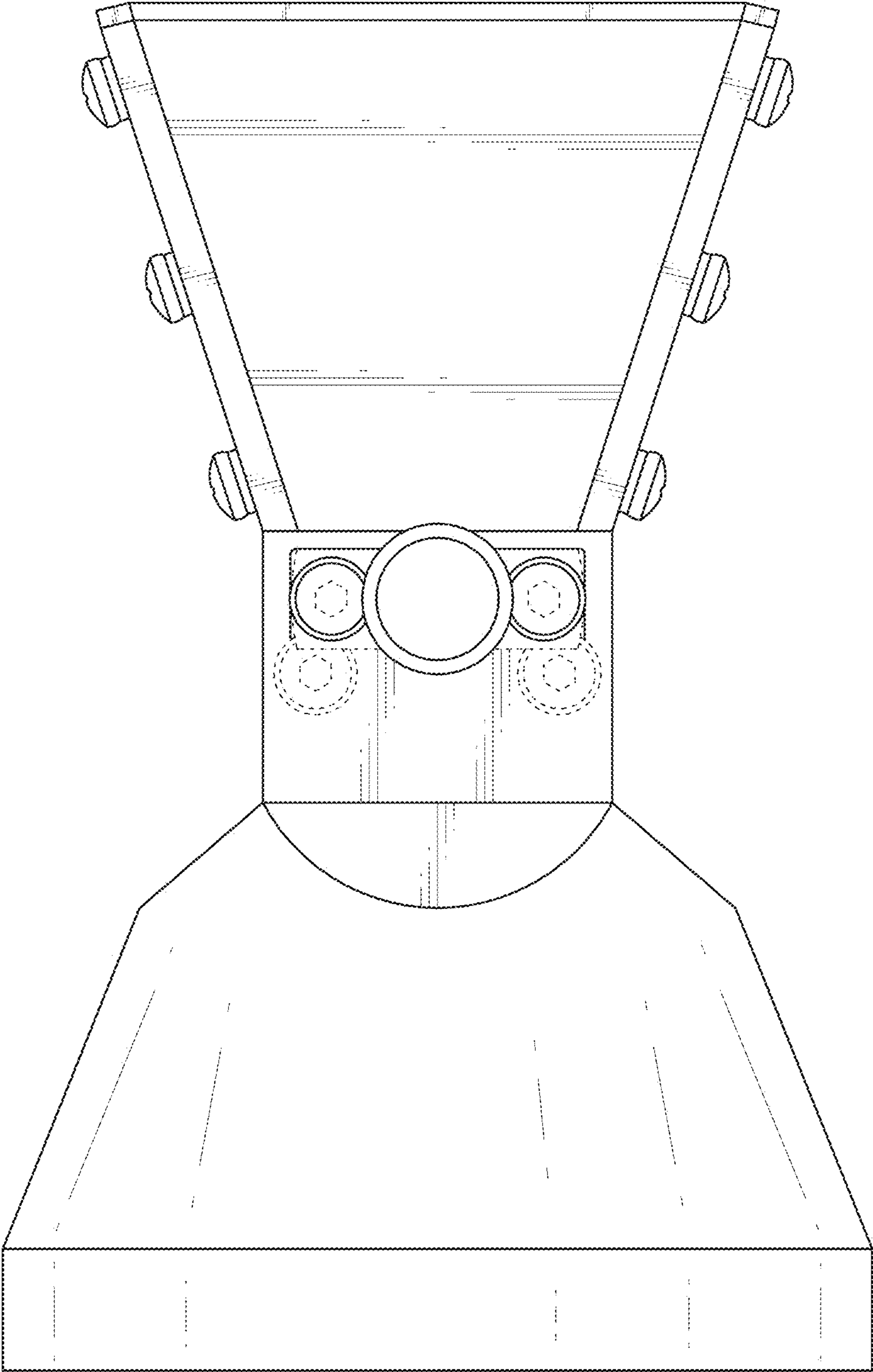


FIG. 2

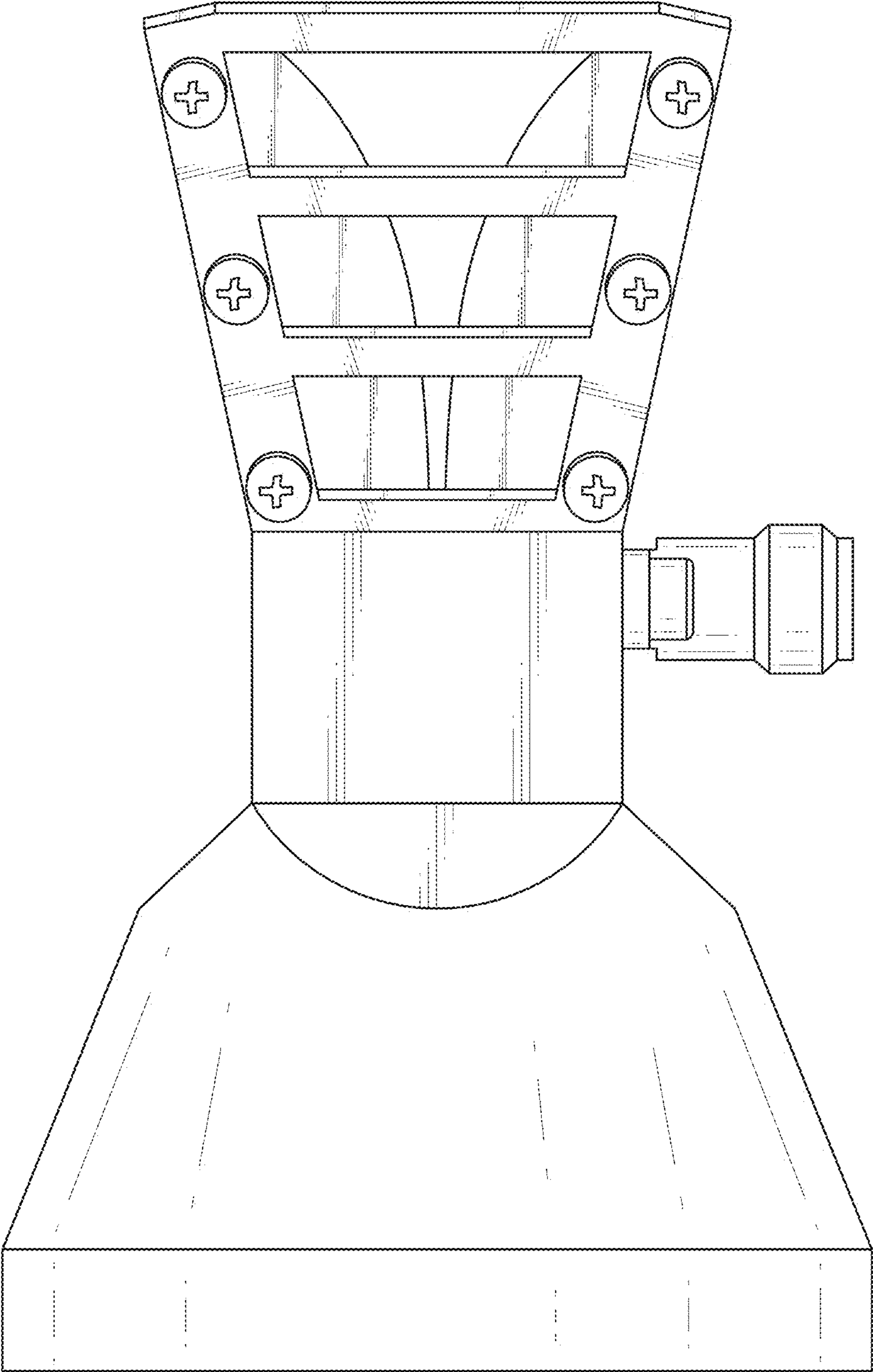


FIG. 3

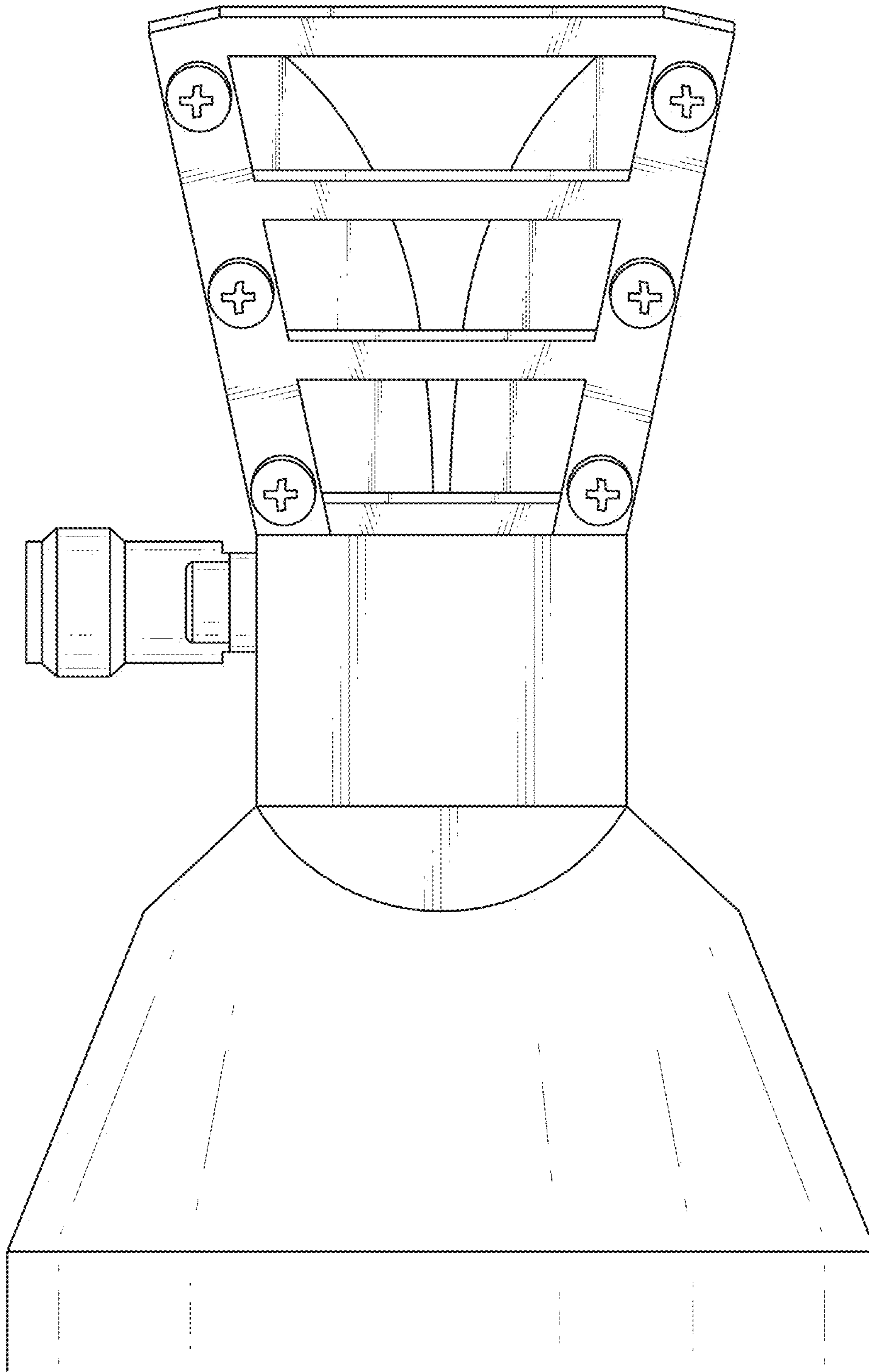


FIG. 4

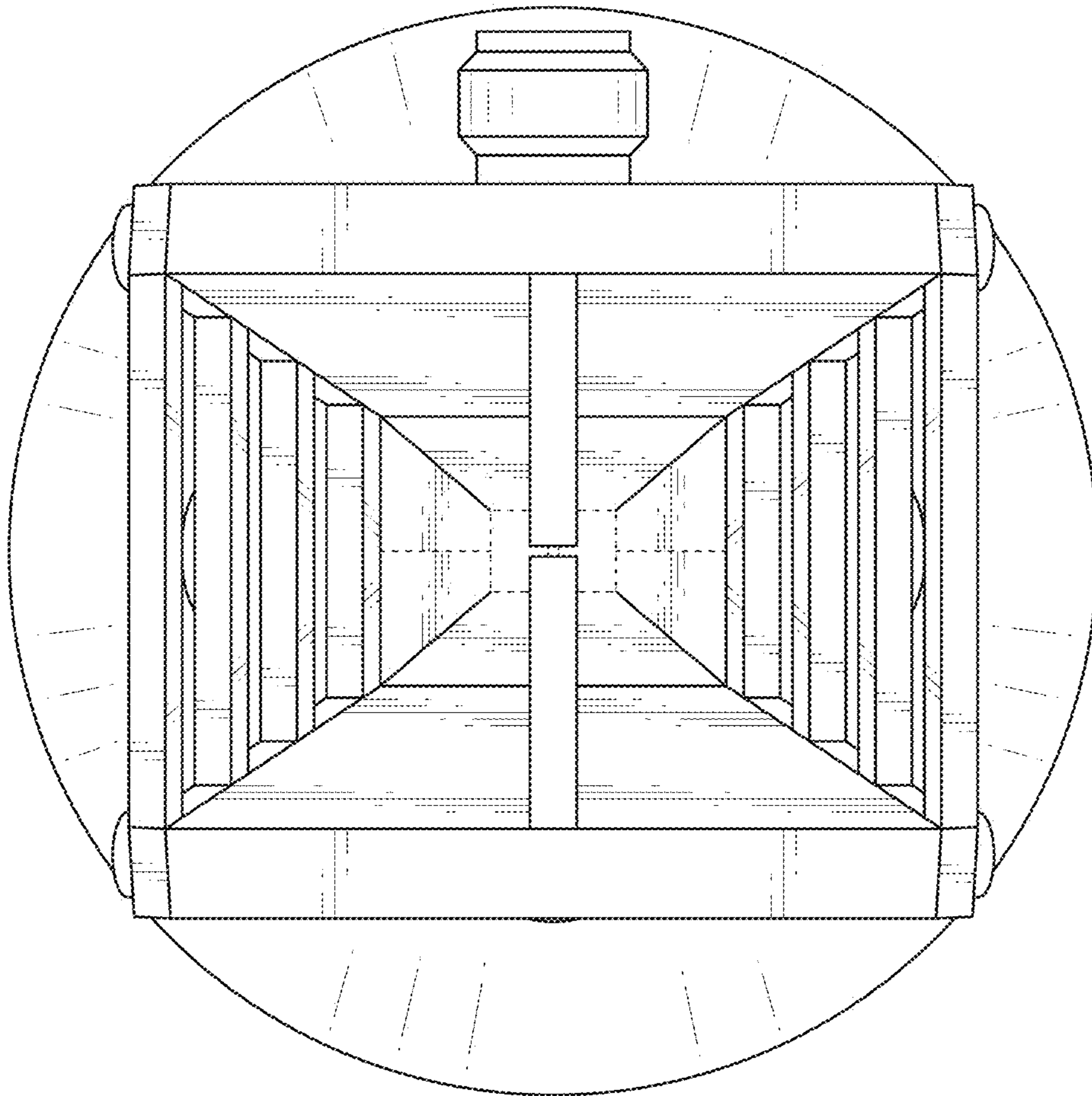


FIG. 5

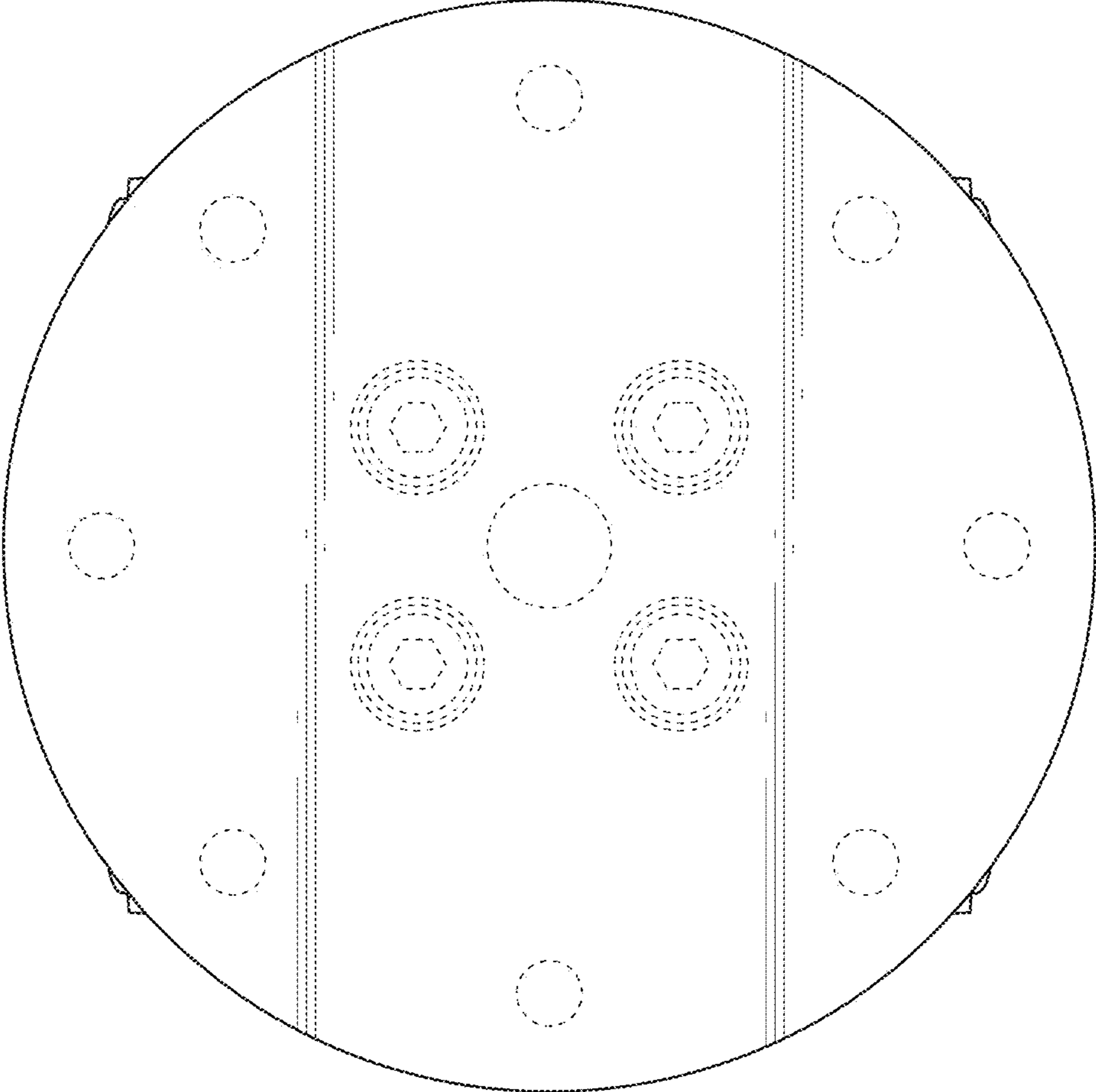


FIG. 6