



US00D972537S

(12) **United States Design Patent**
Kanatsu et al.

(10) **Patent No.:** **US D972,537 S**

(45) **Date of Patent:** **** Dec. 13, 2022**

(54) **MICROPHONE**

(71) Applicant: **Audio-Technica Corporation**, Tokyo (JP)

(72) Inventors: **Ryo Kanatsu**, Tokyo (JP); **Sean Bryson**, Tokyo (JP)

(73) Assignee: **Audio-Technica Corporation**, Tokyo (JP)

(**) Term: **15 Years**

(21) Appl. No.: **29/779,917**

(22) Filed: **Apr. 21, 2021**

(51) **LOC (13) Cl.** **14-01**

(52) **U.S. Cl.**
USPC **D14/225**

(58) **Field of Classification Search**
USPC D14/155–159, 160–173, 187–188, D14/189–198, 203.1–203.8, 204–216, D14/217–222, 224–229, 253, 257–258, D14/496, 498–506; D6/672–673, 675.1, D6/682
CPC H04R 1/02; H04R 1/021; H04R 1/025; H04R 1/026; H04R 1/028; H04R 1/06; H04R 1/105; H04R 1/323; H04R 1/403; H04R 1/2803; H04R 1/2834
See application file for complete search history.

(56) **References Cited**

U.S. PATENT DOCUMENTS

D173,367 S	*	11/1954	McVay	D14/228
3,718,862 A	*	2/1973	Norris	H04R 1/08
					455/117
D296,100 S	*	6/1988	Kubota	D14/228
D296,435 S	*	6/1988	Kubota	D14/228
4,811,405 A	*	3/1989	Peiker	H04R 1/08
					381/365
D313,802 S	*	1/1991	Peiker	D14/227
D478,068 S	*	8/2003	Sundquist	D14/228

D479,837 S	*	9/2003	Sundquist	D14/228
D530,706 S	*	10/2006	Gustafson	D14/228
D531,171 S	*	10/2006	Gustafson	D14/228
D584,721 S	*	1/2009	Okazaki	D14/228
D763,234 S	*	8/2016	Hara	D14/225
D881,168 S	*	4/2020	Chen	D14/228

(Continued)

FOREIGN PATENT DOCUMENTS

CN	303338603	*	8/2015
CN	306730442	*	8/2021
JP	D1681865	*	3/2021

OTHER PUBLICATIONS

Audio-Technica AT2040 Hypercardioid Dynamic Podcast Microphone, date first available: Jul. 29, 2021, [retrieved Jul. 14, 2022], Retrieved from Internet, URL: <https://www.amazon.com/Audio-Technica-Hypercardioid-Dynamic-Microphone-2040/dp/B09BFPNW2J?th=1> (Year: 2021).*

(Continued)

Primary Examiner — Messina L Smith

Assistant Examiner — Aram Kwon

(74) *Attorney, Agent, or Firm* — WCF IP

(57) **CLAIM**

The ornamental design for a microphone, as shown and described.

DESCRIPTION

FIG. 1 is a perspective view of a microphone, showing our new design;

FIG. 2 is another perspective view thereof;

FIG. 3 is a front view thereof;

FIG. 4 is a rear view thereof;

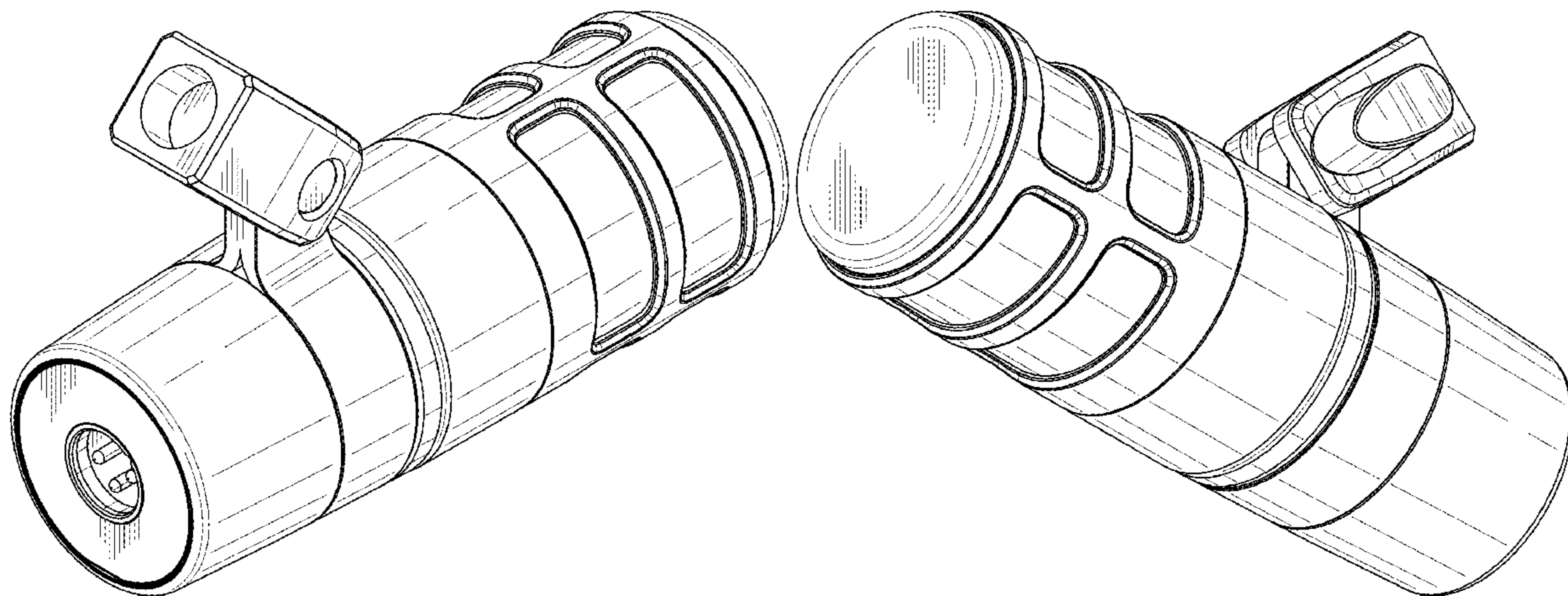
FIG. 5 is a top view thereof;

FIG. 6 is a bottom view thereof;

FIG. 7 is a left side view thereof; and,

FIG. 8 is a right side view thereof.

1 Claim, 6 Drawing Sheets



(56)

References Cited

U.S. PATENT DOCUMENTS

D898,771 S * 10/2020 You D14/497
D931,839 S * 9/2021 Bryant D14/227
D940,696 S * 1/2022 Deng D14/239
2013/0004010 A1* 1/2013 Royer H04R 1/08
381/368
2016/0234597 A1* 8/2016 Akino H04R 3/007

OTHER PUBLICATIONS

Donner PO-8, Dynamic Podcast Microphone, date first available: Oct. 28, 2021, [retrieved Jul. 14, 2022], Retrieved from Internet, URL: <https://www.amazon.com/dp/B09KLTM8V2/ref=sspa_dk_detail_1?psc=1&pd_rd_i=B09KLTM8V2&pd_rd_w=VtRPF&content-id=amzn1.sym.3be1c5b%E2%80%A6> (Year: 2021).*

Hypercardioid Dynamic Instrument Microphone, date not available, [retrieved Jul. 14, 2022], Retrieved from Internet, URL: <<https://www.audio-technica.com/en-us/atm23he>> (Year: 2022).*

Audio-Technica BP4002 Handheld Microphone, date not available, [retrieved Jul. 14, 2022], Retrieved from Internet, URL: <https://www.bhphotovideo.com/c/product/687970-REG/Audio_Technica_BP4002_BP4002_Handheld_Microphone_for.html> (Year: 2022).*

Audio-Technica's New Professional Podcasting Mic, Jul. 29, 2021, [retrieved Jul. 14, 2022], Retrieved from Internet, URL: <<https://www.forbes.com/sites/marksparrow/2021/07/29/audio-technicas-new-professional-podcasting-mic-is-so-affordable/?sh=1186f8e4b28d>> (Year: 2021).*

* cited by examiner

FIG. 1

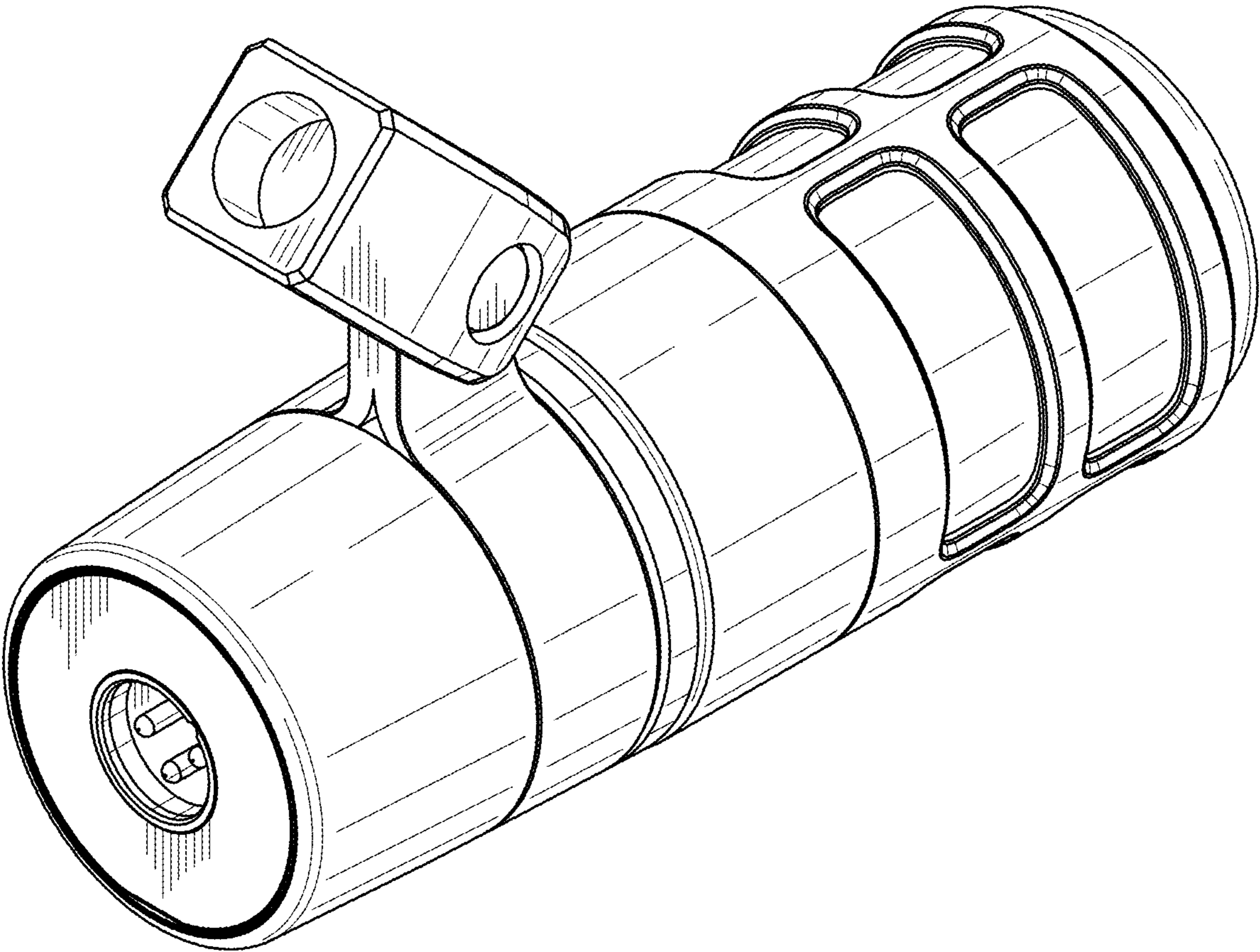


FIG. 2

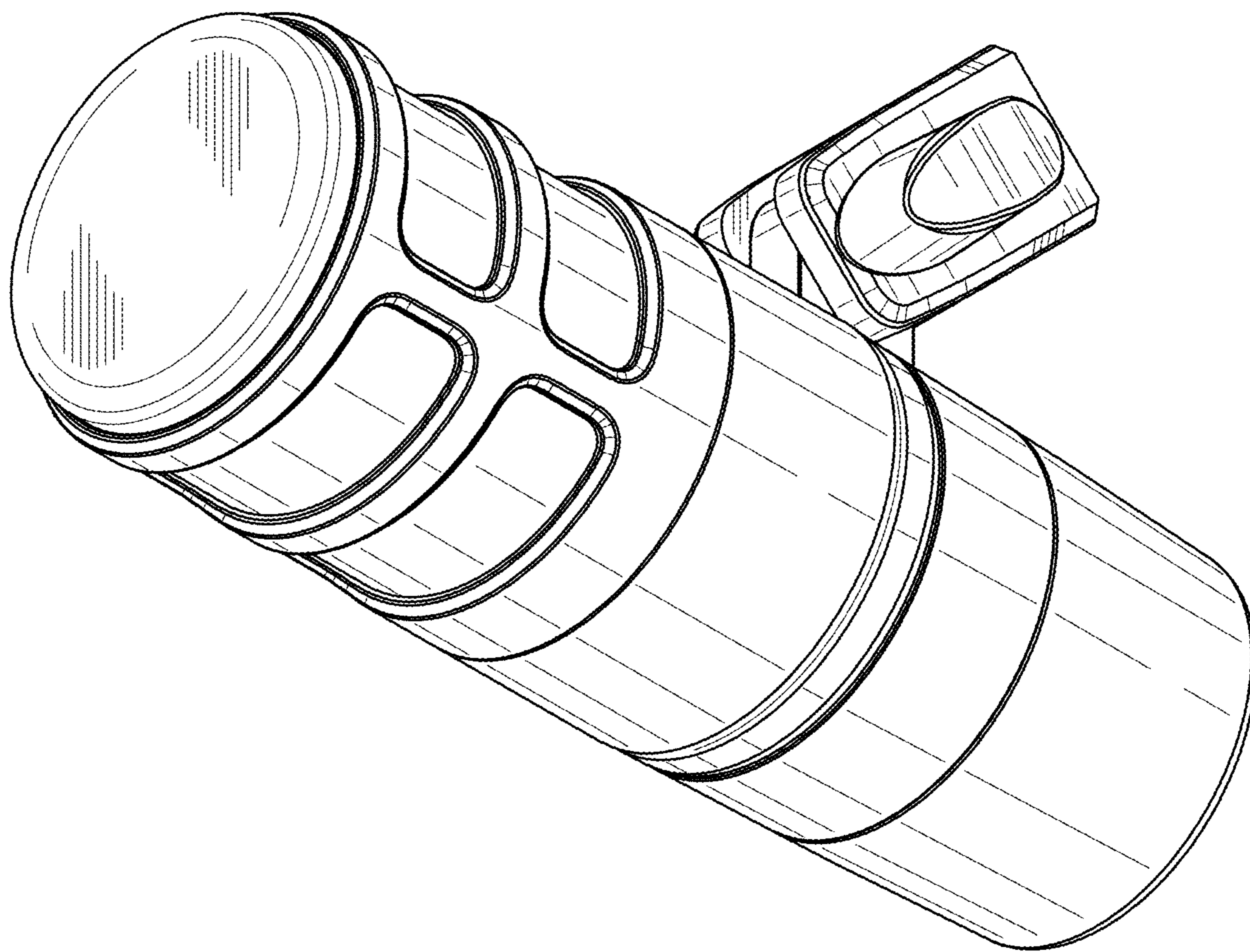


FIG. 3

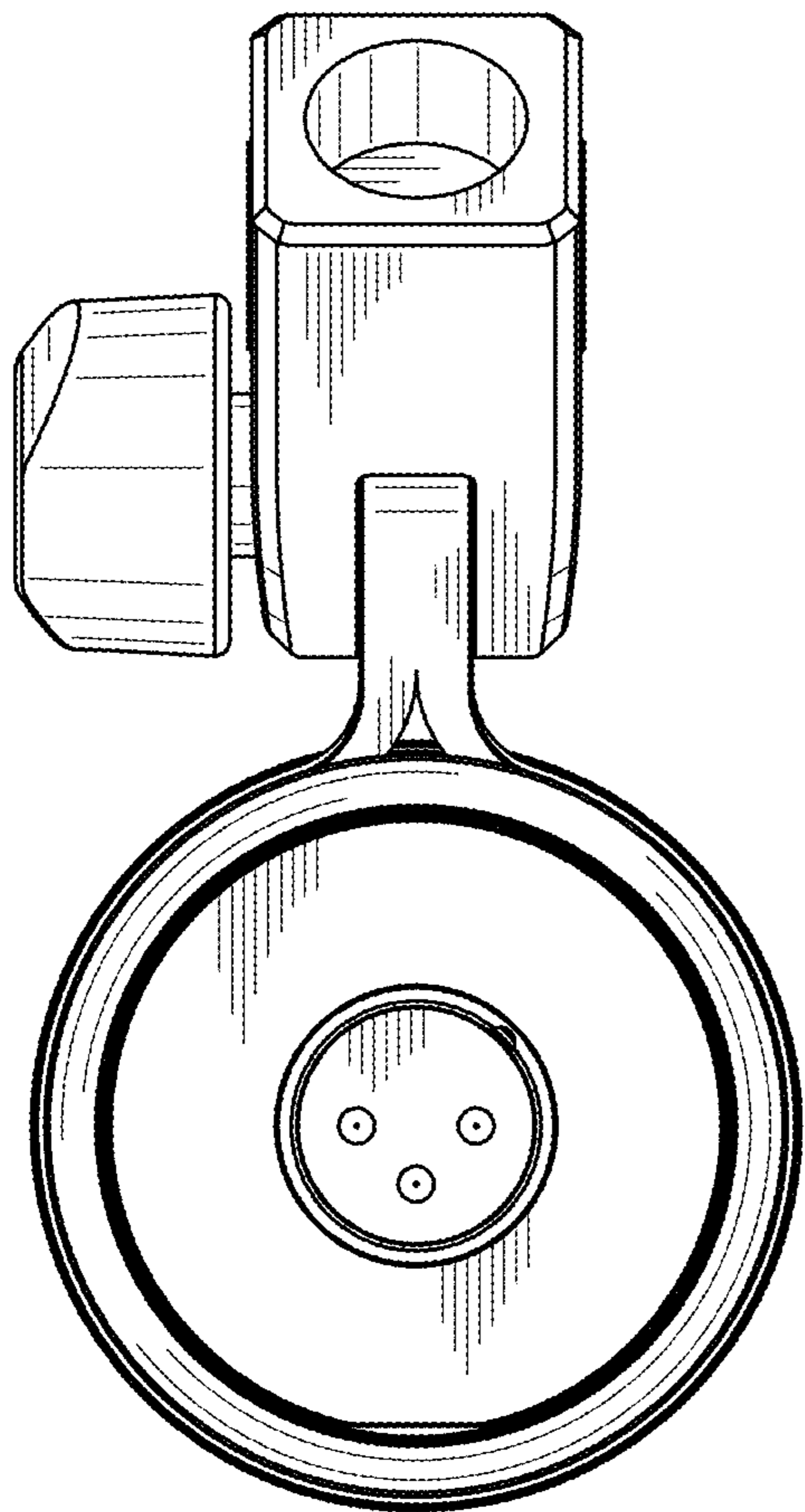


FIG. 4

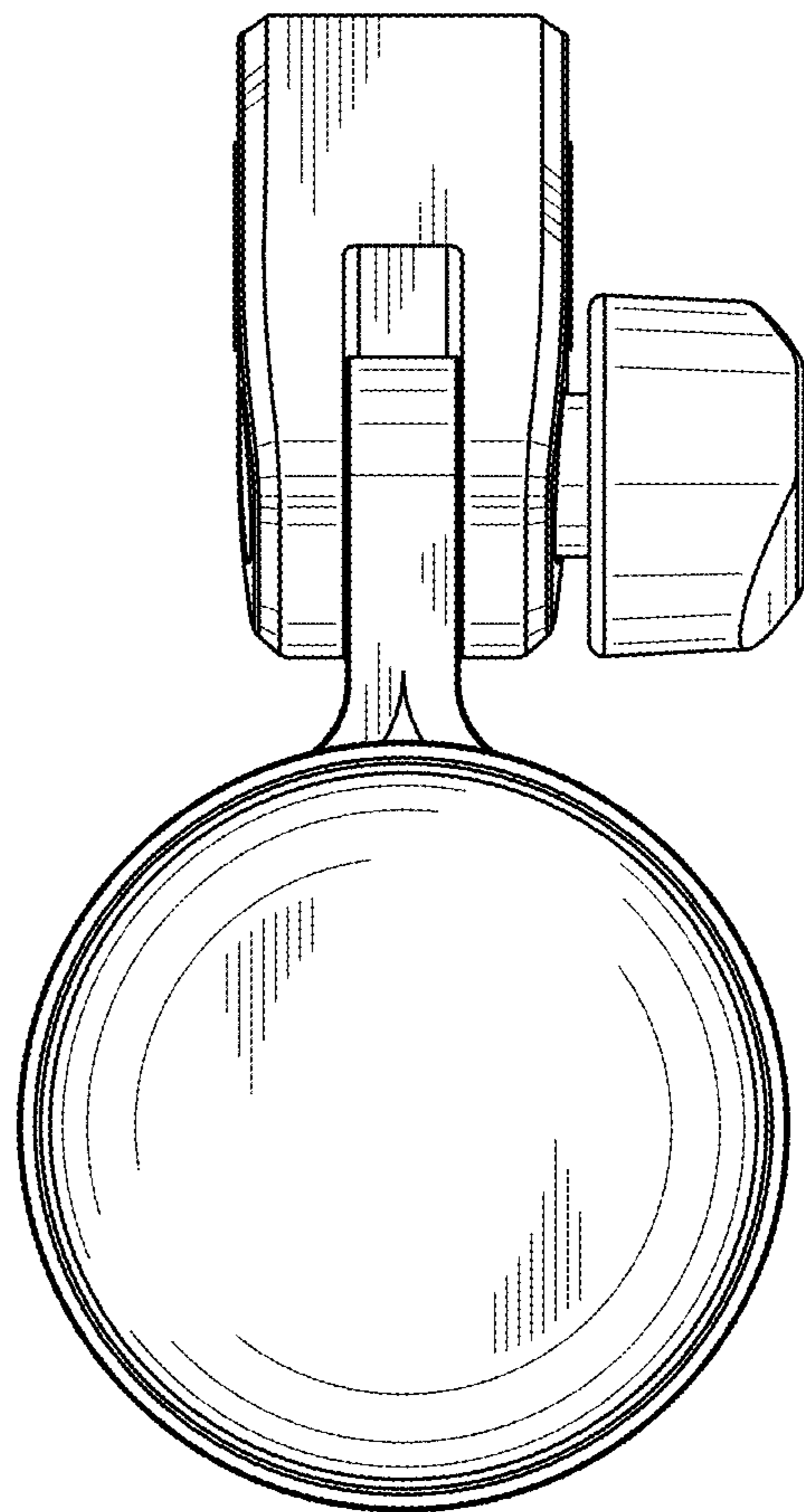


FIG. 5

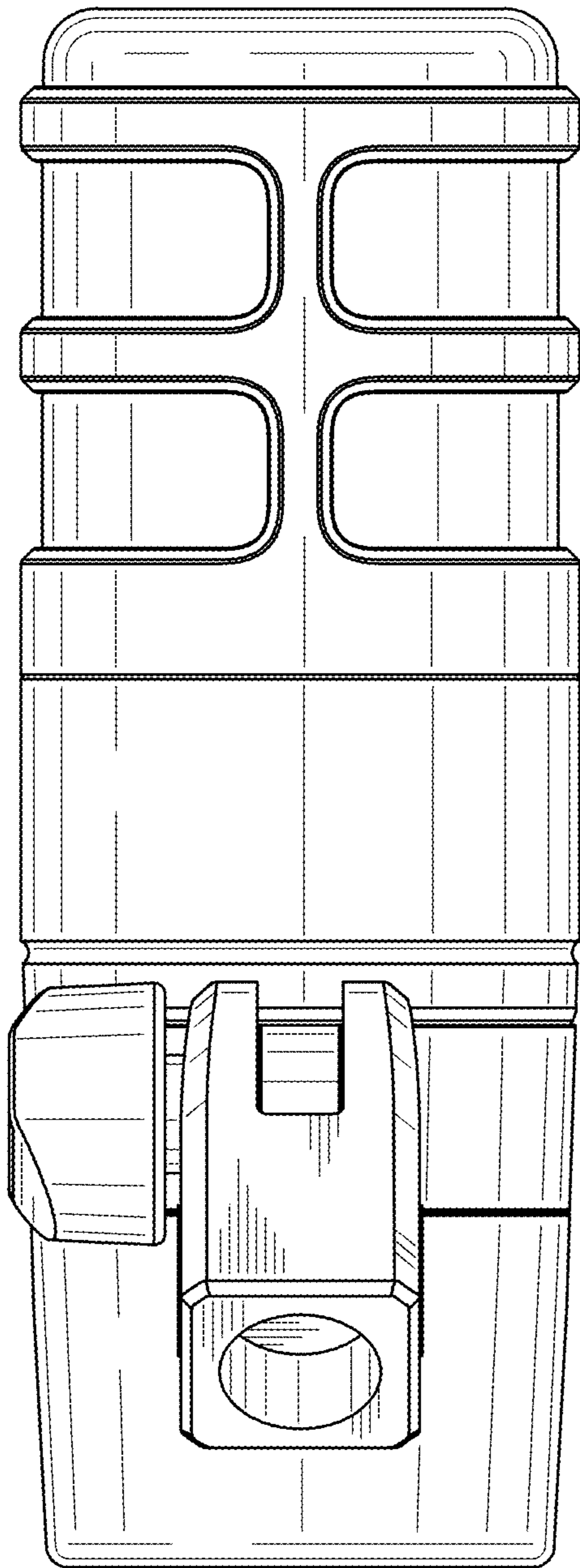


FIG. 6

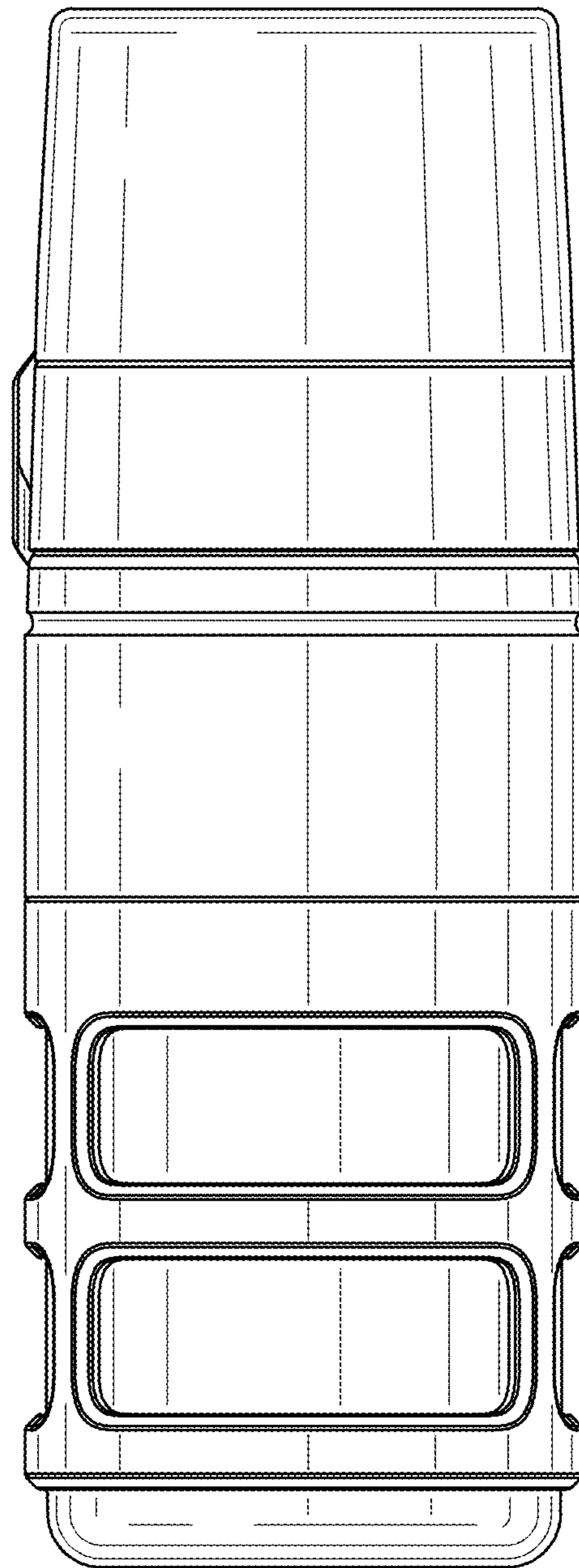


FIG. 7

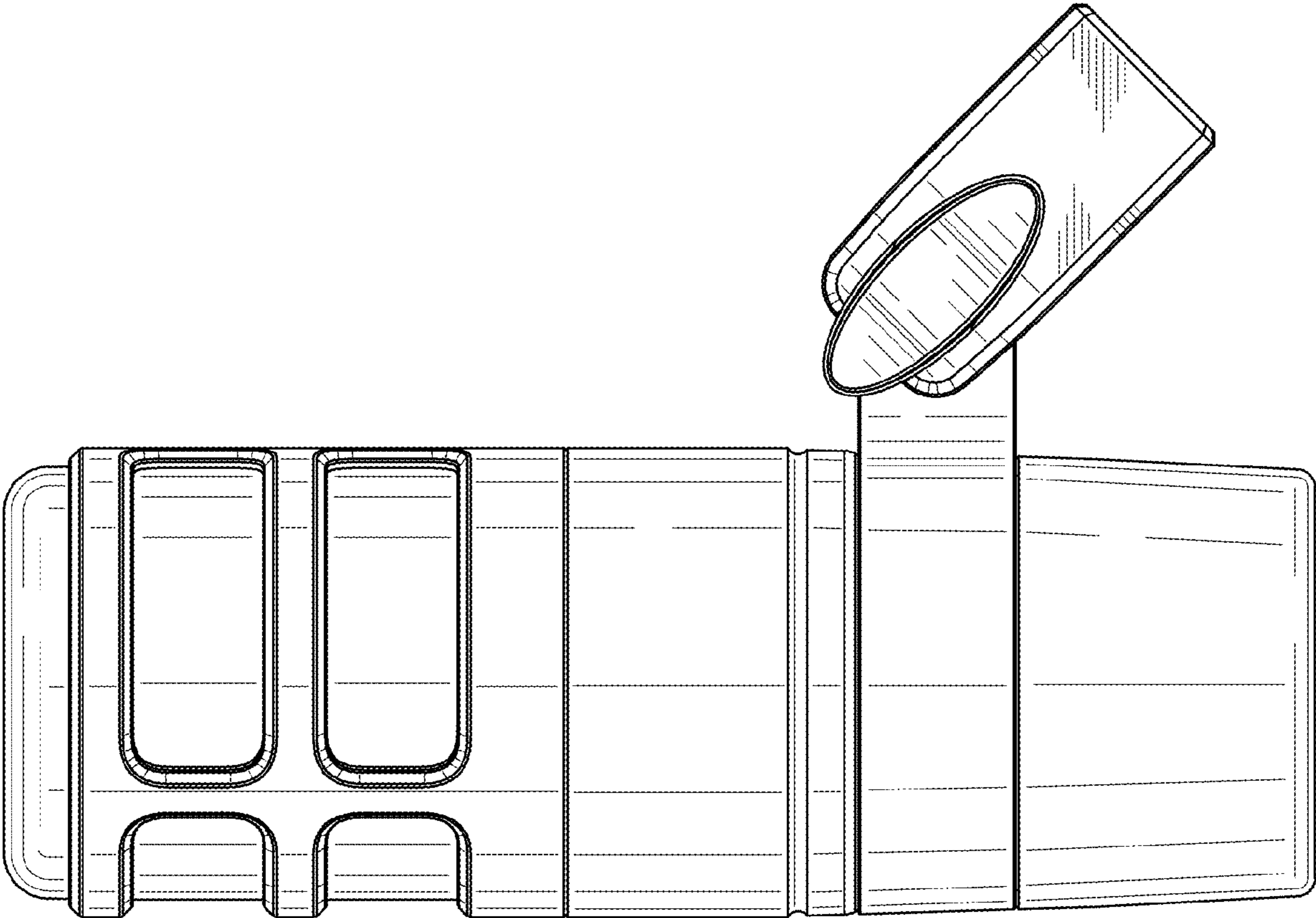


FIG. 8

