



US00D972536S

(12) **United States Design Patent** (10) **Patent No.:** **US D972,536 S**  
**Zhang et al.** (45) **Date of Patent:** **\*\* Dec. 13, 2022**

(54) **EARPHONE**

(71) Applicant: **Ugreen Group Limited**, Shenzhen (CN)

(72) Inventors: **Qingsen Zhang**, Shenzhen (CN); **Junling Chen**, Shenzhen (CN); **Ye Tian**, Shenzhen (CN)

(\*\*) Term: **15 Years**

(21) Appl. No.: **29/762,508**

(22) Filed: **Dec. 17, 2020**

(51) **LOC (13) Cl.** ..... **14-01**

(52) **U.S. Cl.**  
USPC ..... **D14/223**

(58) **Field of Classification Search**

USPC ..... D14/204, 205, 206, 223, 224, 225, 249, D14/372, 433, 138 R, 188, 192, 172, D14/203.1, 191, 496; D29/112; D28/41; D13/118, 108, 119

CPC ..... H04R 25/00; H04R 25/02; H04R 1/08; H04R 1/10; H04R 1/1016; H04R 1/105; H04R 1/1083; H04R 1/02; H04R 1/1041; H04R 1/28; H04R 5/033; H04R 5/0335

See application file for complete search history.

(56) **References Cited**

**U.S. PATENT DOCUMENTS**

D614,168 S *	4/2010	Rogers	.....	D14/206
D726,145 S *	4/2015	Hsieh	.....	D14/205
D776,635 S *	1/2017	Chang	.....	D14/205
D782,998 S *	4/2017	Shin	.....	D14/205
D820,810 S *	6/2018	Levine	.....	D14/205
D849,714 S *	5/2019	Shin	.....	D14/205
D850,416 S *	6/2019	Hu	.....	D14/223

(Continued)

**FOREIGN PATENT DOCUMENTS**

GB	6111651	*	1/2021
GB	6111652	*	1/2021

**OTHER PUBLICATIONS**

1 Mii Wired, first available Dec. 14, 2021 [online], [retrieved Aug. 10, 2022]. Available from the Internet, URL:<https://a.co/d/gSzf5y>. (Year: 2021).\*

(Continued)

*Primary Examiner* — Shawn T Gingrich

*Assistant Examiner* — Russell Carnell Smith, Jr.

(57) **CLAIM**

The ornamental design for an earphone, as shown and described.

**DESCRIPTION**

FIG. 1 is a front and top perspective view of an earphone, showing our new design;

FIG. 2 is a rear and bottom perspective view thereof;

FIG. 3 is a front elevational view thereof;

FIG. 4 is a rear elevational view thereof;

FIG. 5 is a left side elevational view thereof;

FIG. 6 is a right side elevational view thereof;

FIG. 7 is a top plan view thereof;

FIG. 8 is a bottom plan view thereof;

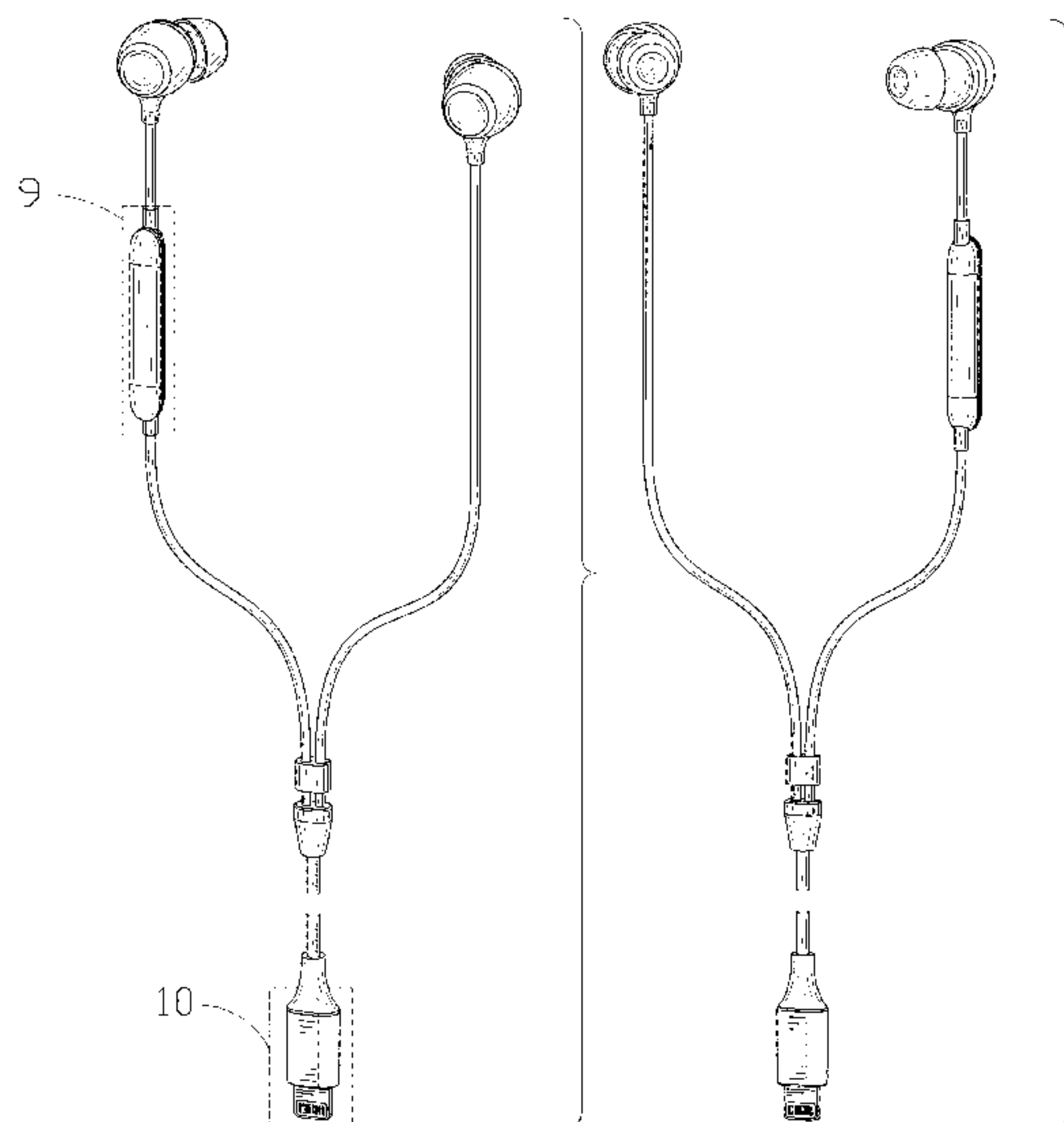
FIG. 9 is an enlarged view of a portion indicated with numeric 9 in FIG. 1;

FIG. 10 is an enlarged view of a portion indicated with numeric 10 in FIG. 1; and,

FIG. 11 is an enlarged view of a portion indicated with numeric 11 in FIG. 5.

The broken lines in the figures illustrate portions of the earphone that form no part of the claimed design. The break in the cable shown in broken lines in the drawings are included to show a symbolic break in length of the Connector. The appearance of any portion of the earphone between the break lines forms no part of the claimed design. The dash-dot-dash lines shown in FIGS. 1 and 5 and illustrated in enlarged views in FIGS. 9, 10 and 11 form no part of the claimed design.

**1 Claim, 11 Drawing Sheets**



(56)

**References Cited**

U.S. PATENT DOCUMENTS

D859,359 S \* 9/2019 Min ..... D14/205  
D895,569 S \* 9/2020 Roberts ..... D14/223  
2017/0295421 A1\* 10/2017 Hung ..... H04R 1/1033

OTHER PUBLICATIONS

Palovue, first available Apr. 2, 2018 [online], [retrieved Aug. 10, 2022]. Available from the Internet, URL:<<https://a.co/d/cpdfgkA>>. (Year: 2018).\*

2XL Spoke, first available Oct. 12, 2019 [online], [retrieved Aug. 10, 2022]. Available from the Internet, URL:<<https://a.co/d/8nNYNYI>>. (Year: 2019).\*

\* cited by examiner

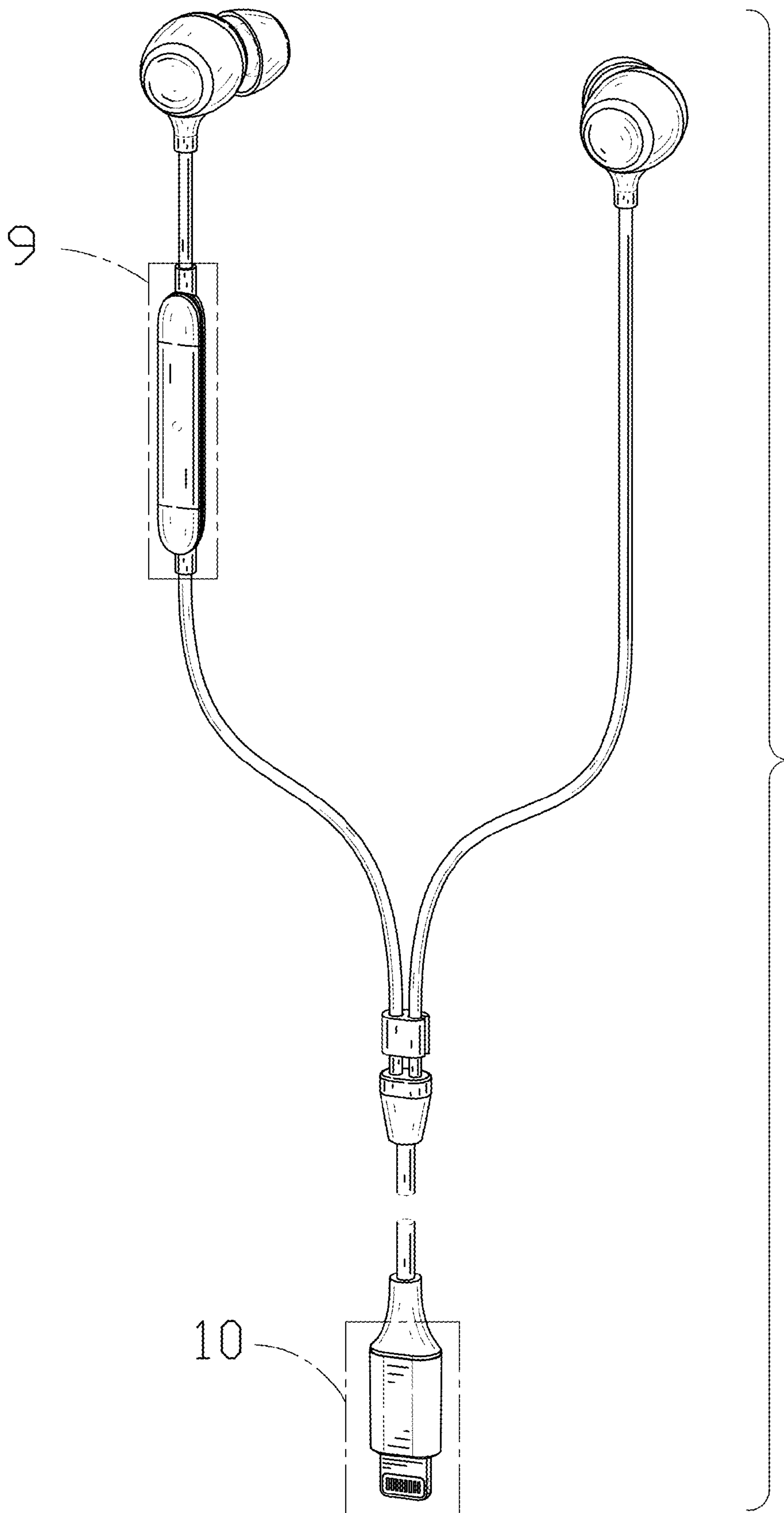


FIG. 1

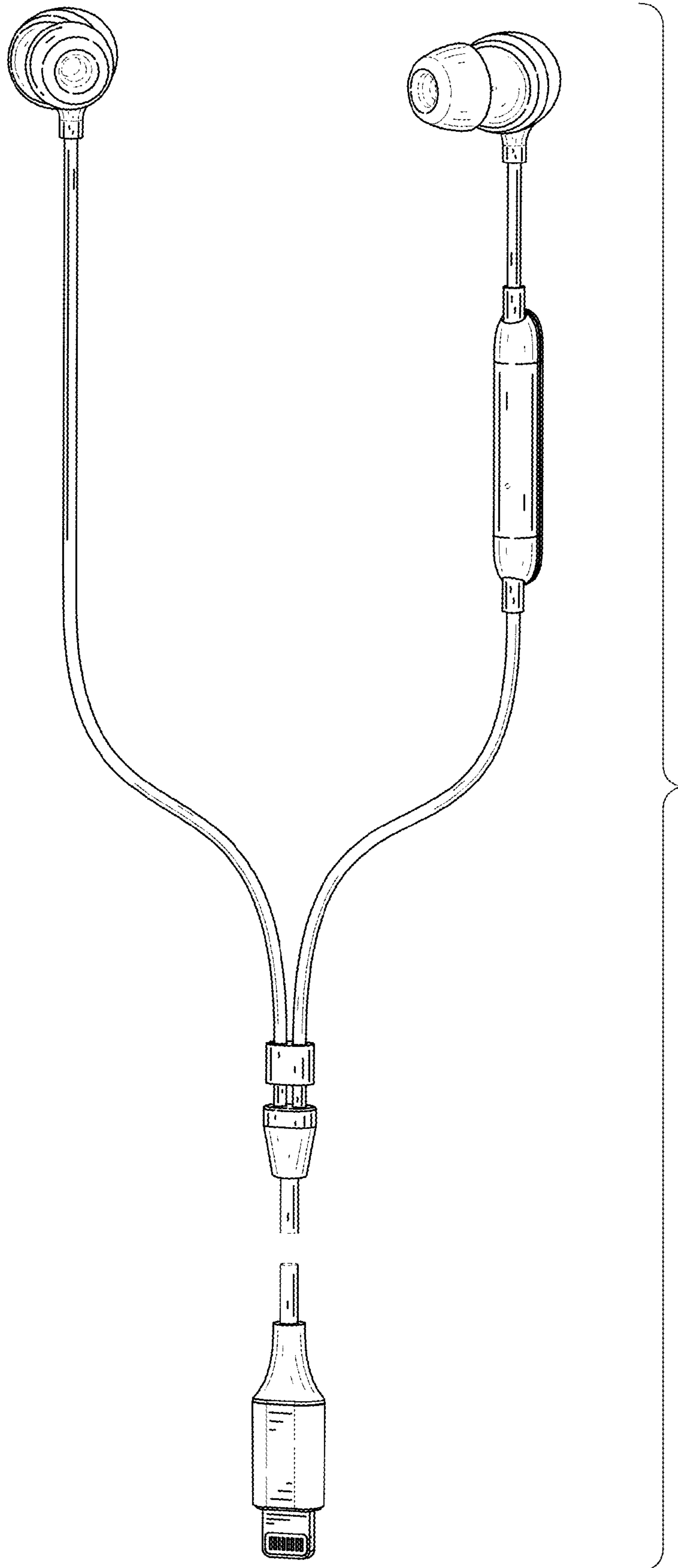


FIG. 2

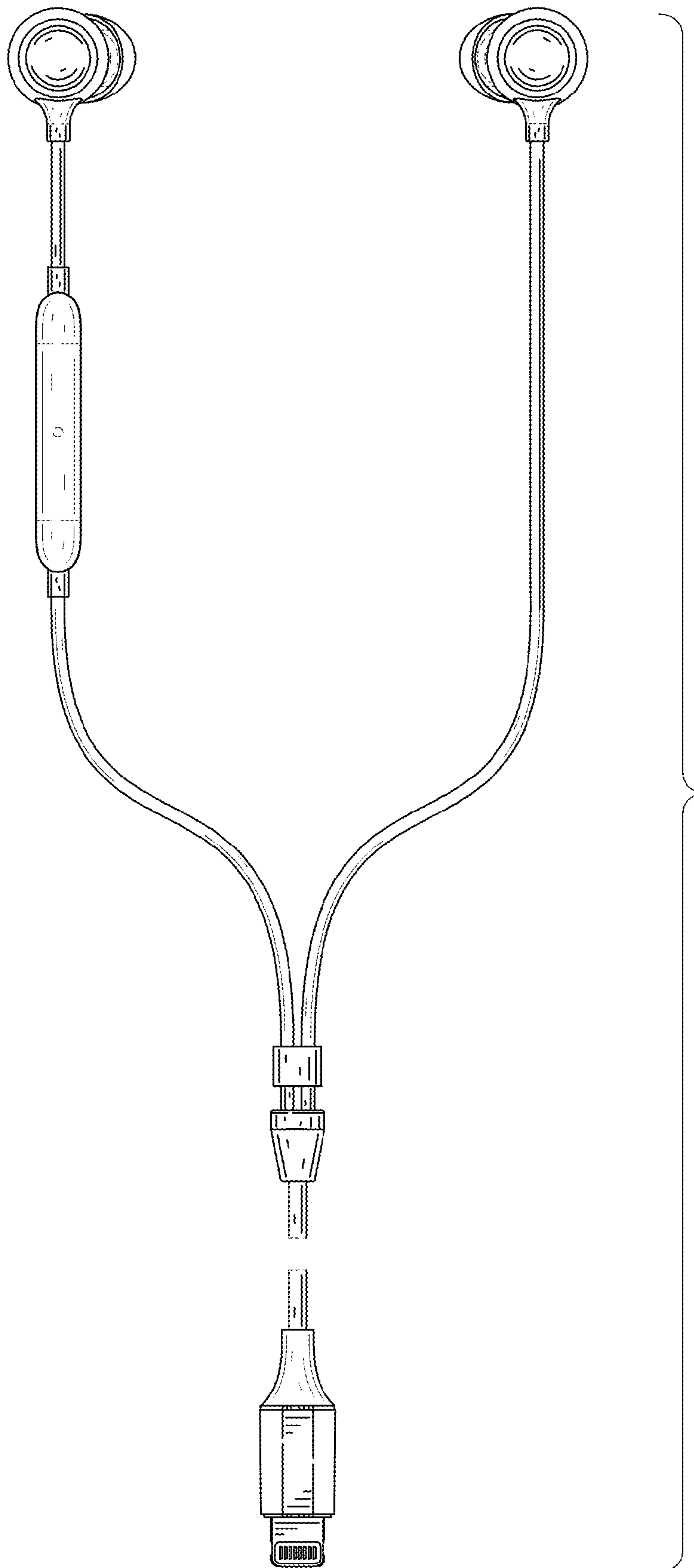


FIG. 3

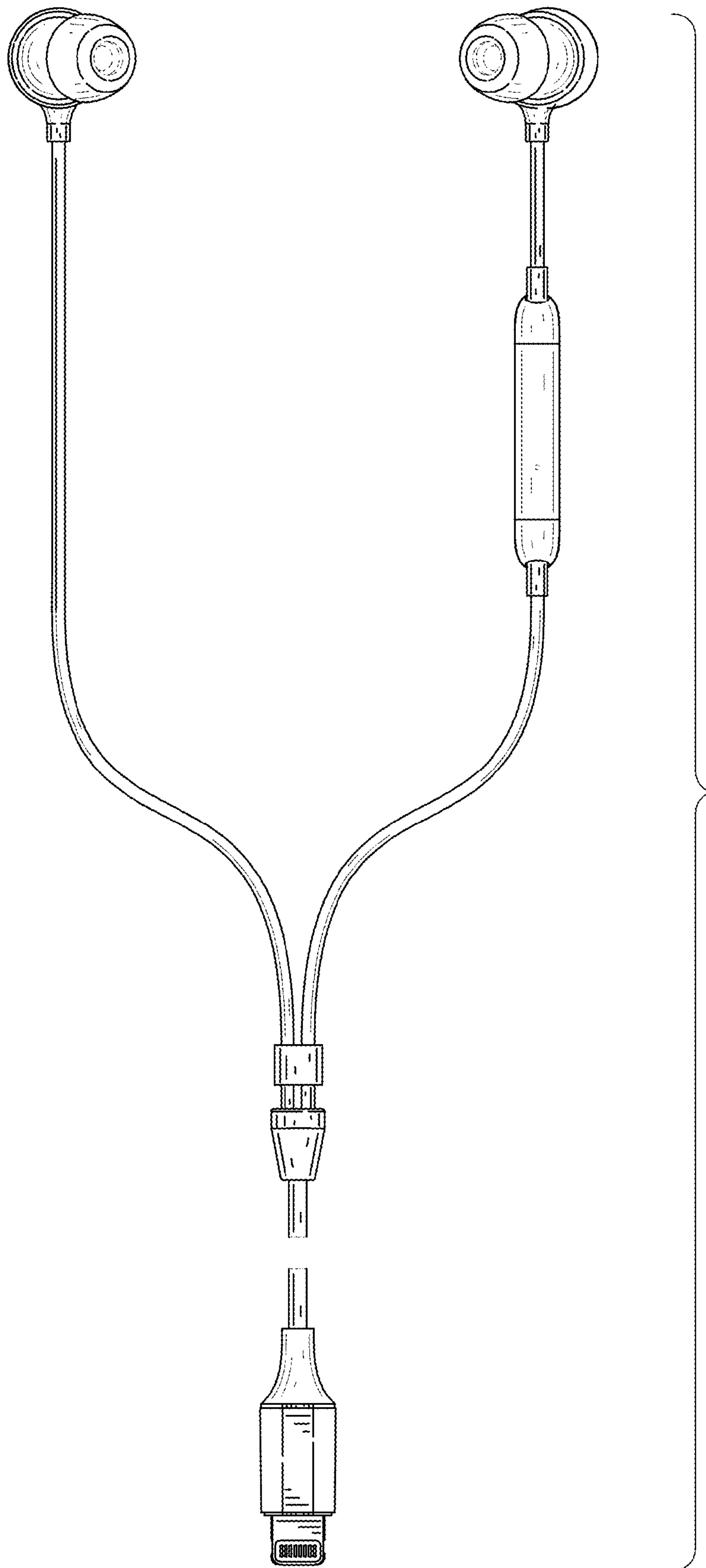


FIG. 4



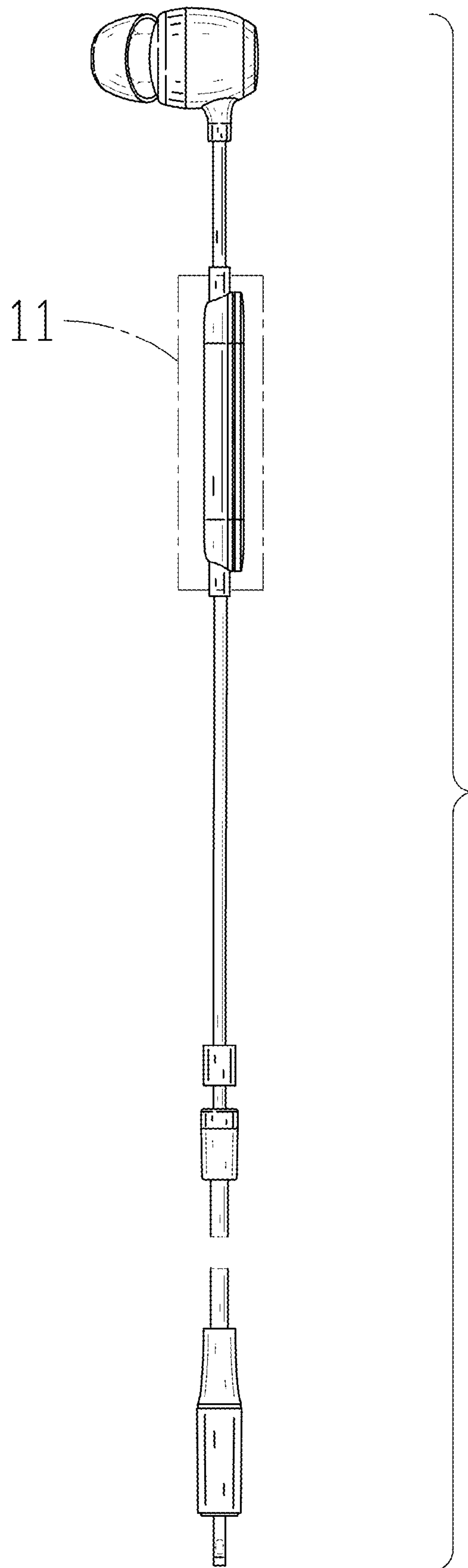


FIG. 5

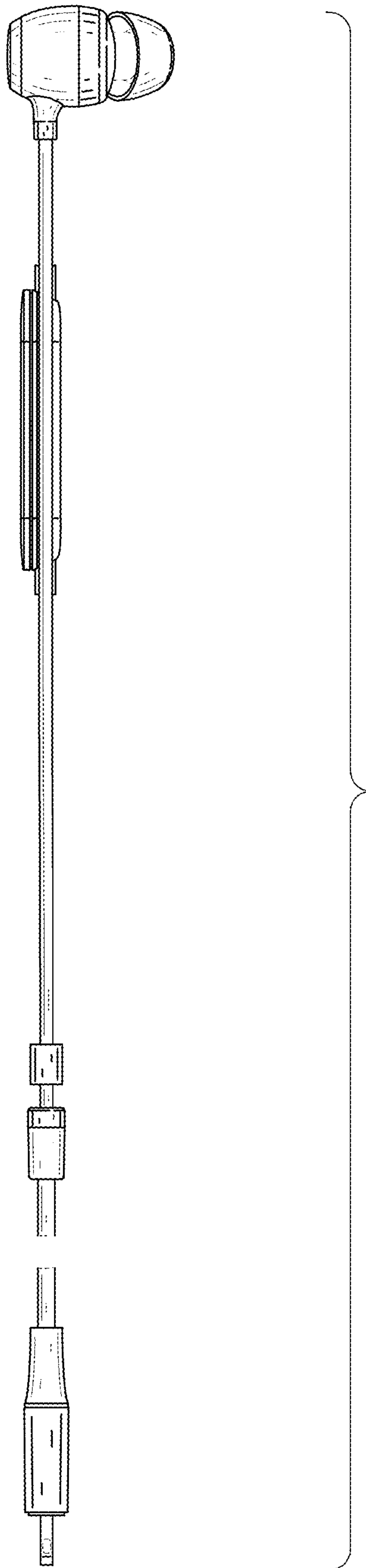


FIG. 6



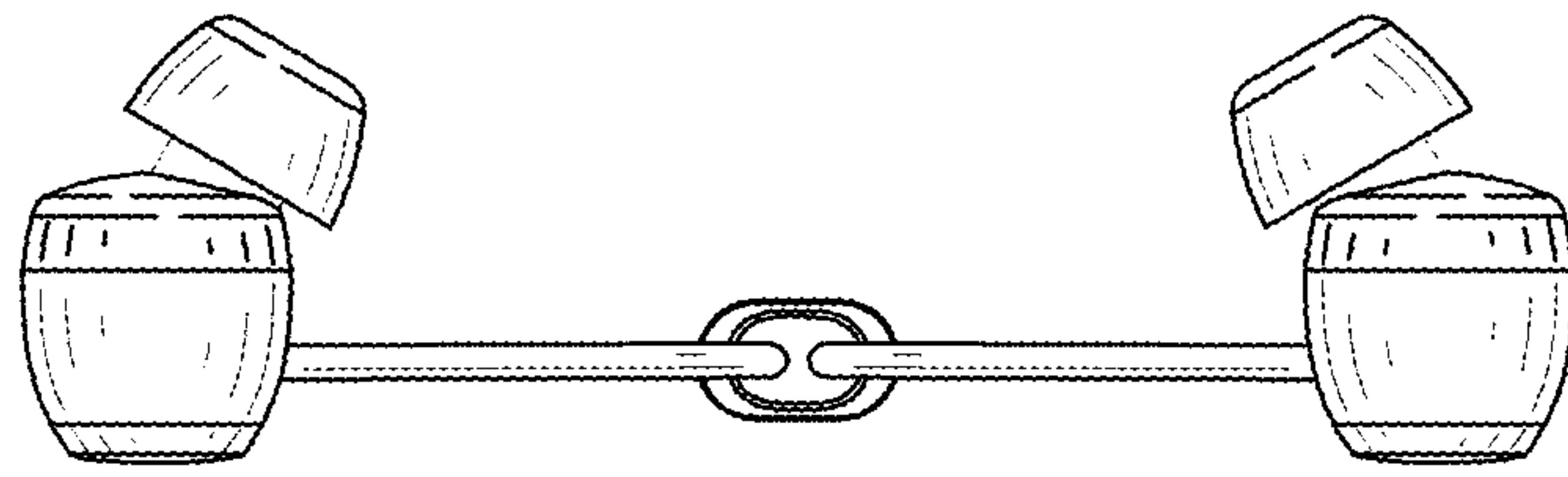


FIG. 7

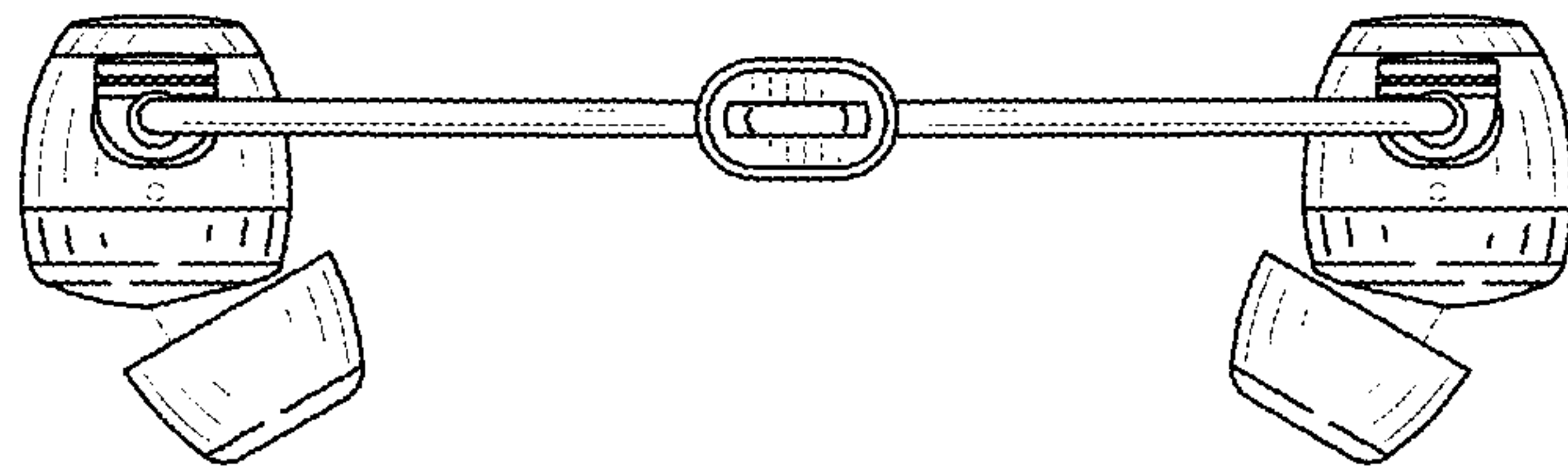


FIG. 8

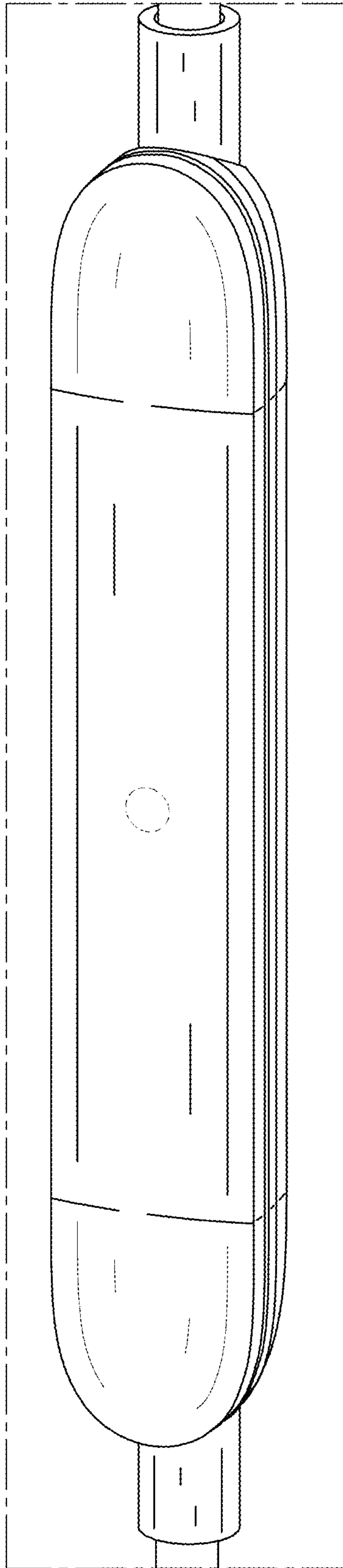


FIG. 9

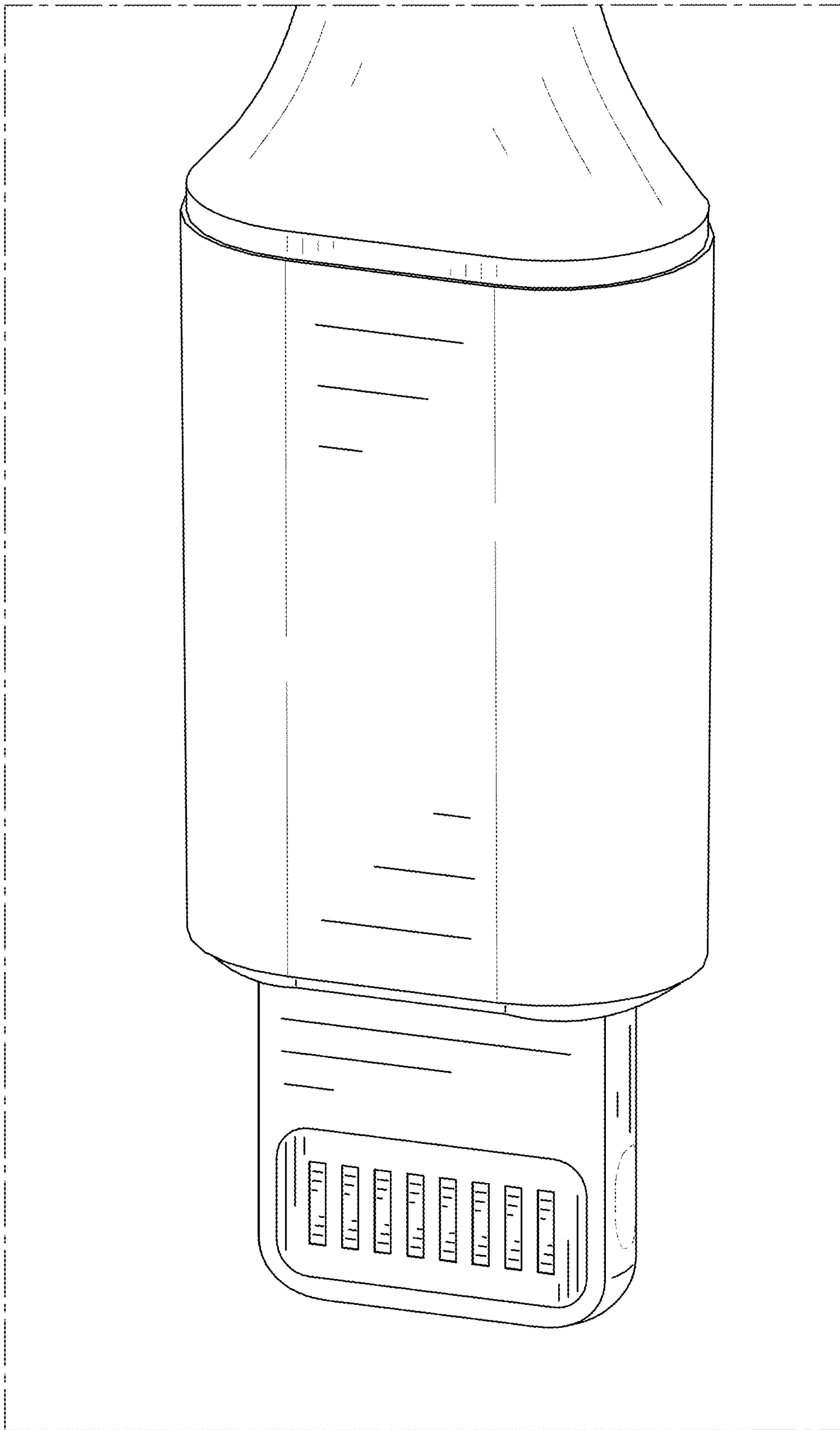


FIG. 10

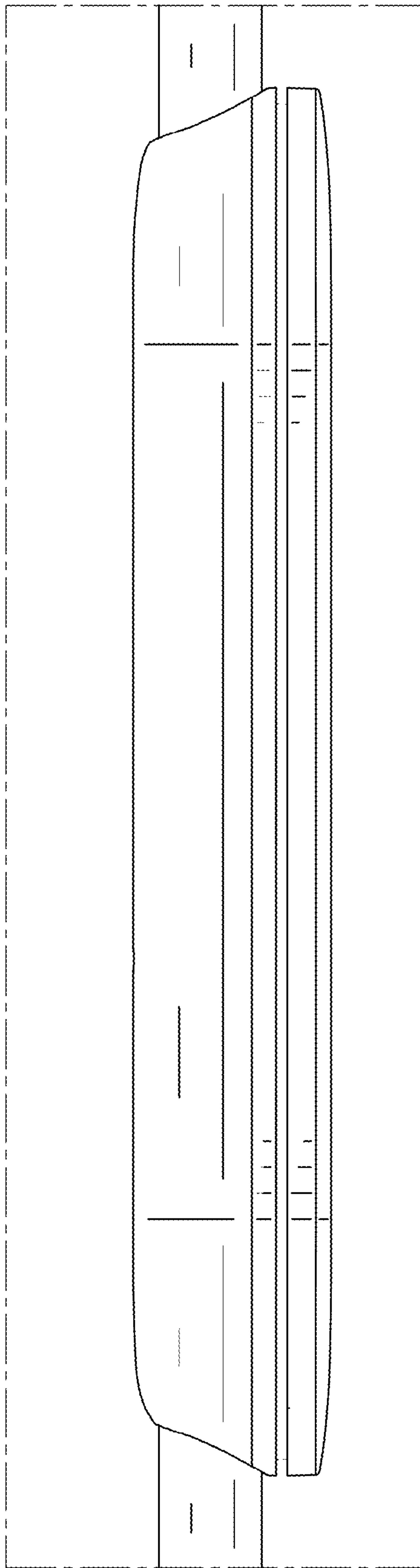


FIG. 11