



US00D972535S

(12) **United States Design Patent** (10) **Patent No.:** **US D972,535 S**  
**Barmettler et al.** (45) **Date of Patent:** **\*\* Dec. 13, 2022**

(54) **TONE PROBE**

(71) Applicant: **Tempo Communications, Inc.**, Vista, CA (US)

(72) Inventors: **Mark G Barmettler**, San Diego, CA (US); **Curtis C Taylor**, Vista, CA (US); **Kenneth O Stark**, San Marcos, CA (US)

(73) Assignee: **Tempo Communications, Inc.**, Vista, CA (US)

(\*\*) Term: **15 Years**

(21) Appl. No.: **29/785,822**

(22) Filed: **May 27, 2021**

(51) **LOC (13) Cl.** ..... **14-03**

(52) **U.S. Cl.**  
USPC ..... **D14/217**

(58) **Field of Classification Search**  
USPC ..... D14/217, 218, 225, 299; D10/75-80  
See application file for complete search history.

(56) **References Cited**

**U.S. PATENT DOCUMENTS**

D351,562 S	*	10/1994	Moffatt	.....	D10/78
D367,431 S	*	2/1996	Omuro	.....	D10/78
D410,203 S	*	5/1999	Beha	.....	D10/78
D413,871 S	*	9/1999	McCormick	.....	D14/411
D481,963 S	*	11/2003	Onuma	.....	D10/78

D500,799 S	*	1/2005	Olson	.....	D10/78
D501,415 S	*	2/2005	Seymour	.....	D10/78
D511,700 S	*	11/2005	Janky	.....	D10/78
D642,943 S	*	8/2011	Laurino	.....	D10/78
D661,605 S	*	6/2012	Laurino	.....	D10/78
D703,337 S	*	4/2014	Fuhr	.....	D24/200
D706,433 S	*	6/2014	Fuhr	.....	D24/200
D738,241 S	*	9/2015	Payne	.....	D10/78
D739,278 S	*	9/2015	Payne	.....	D10/78
D743,221 S	*	11/2015	Wisman	.....	D8/14

\* cited by examiner

*Primary Examiner* — Khawaja Anwar

(74) *Attorney, Agent, or Firm* — Sandberg Phoenix & von Gontard PC

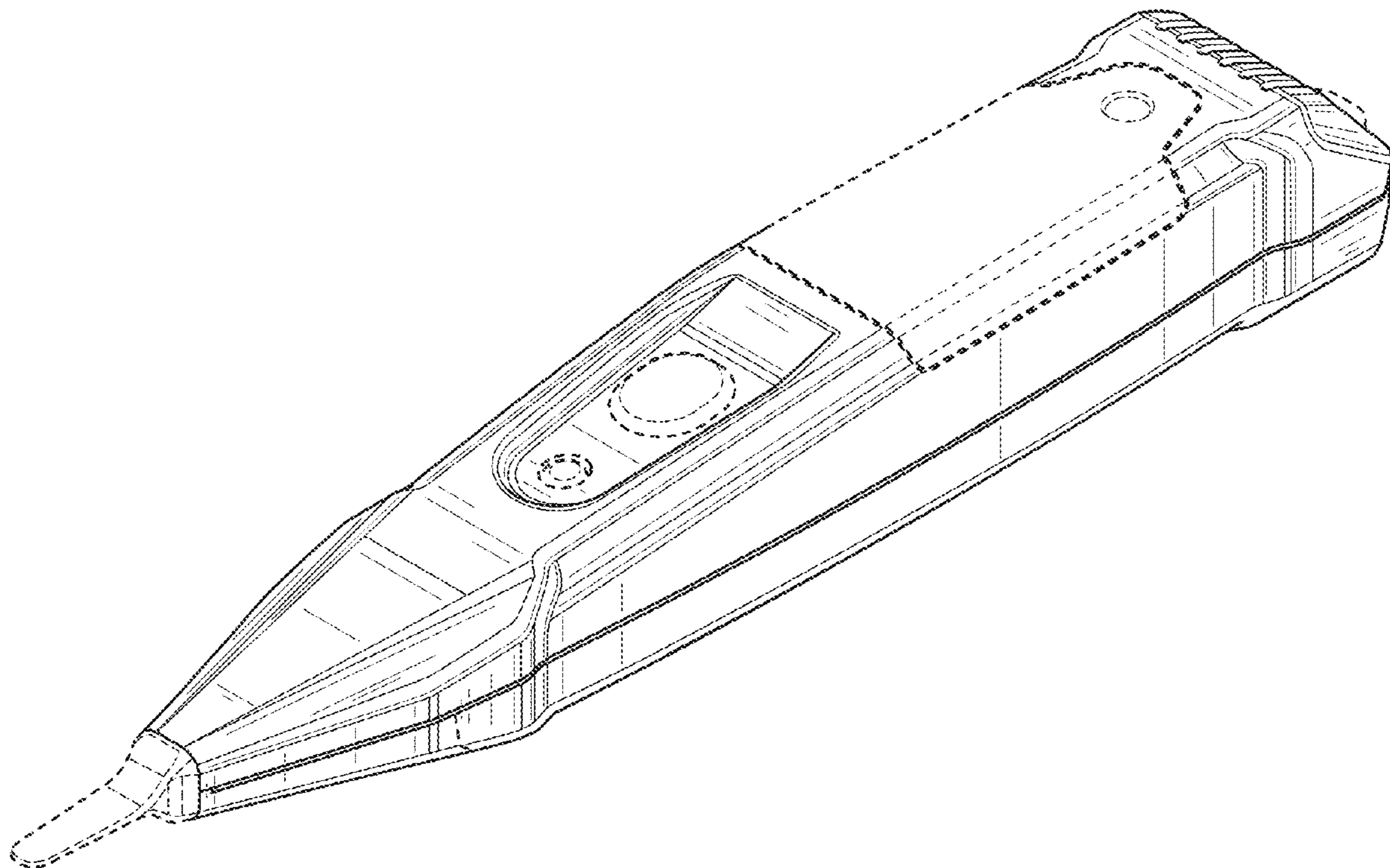
(57) **CLAIM**

The ornamental design for a tone probe, as shown and described.

**DESCRIPTION**

FIG. 1 is an isometric top view of a tone probe according to the design;  
FIG. 2 is front view thereof;  
FIG. 3 rear view thereof;  
FIG. 4 is a right side view thereof;  
FIG. 5 is a left side view thereof;  
FIG. 6 is a top view thereof; and,  
FIG. 7 is a bottom view thereof.  
The broken lines in the drawings illustrate portions of the tone probe that form no part of the claimed design.

**1 Claim, 5 Drawing Sheets**



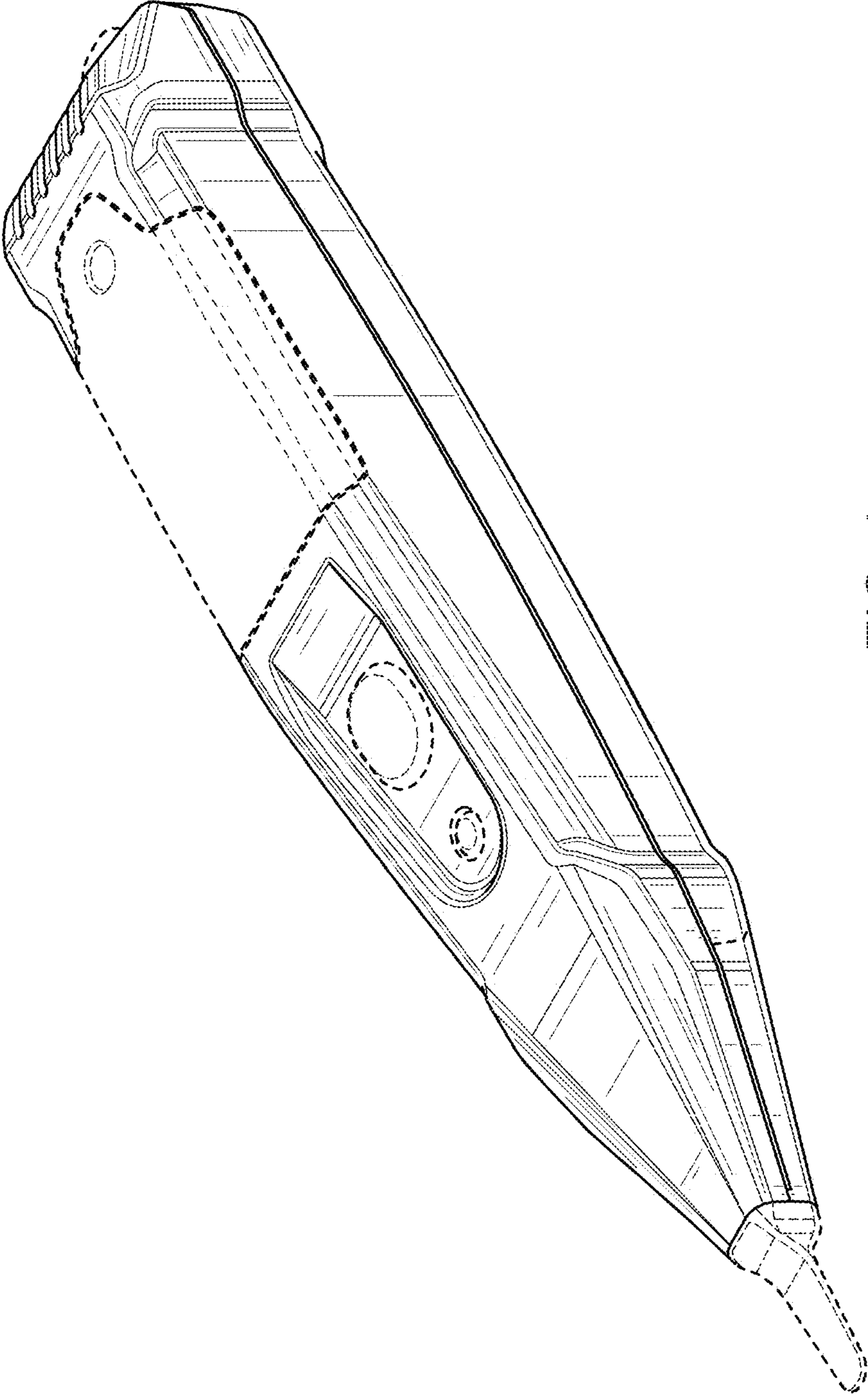


FIG. 1

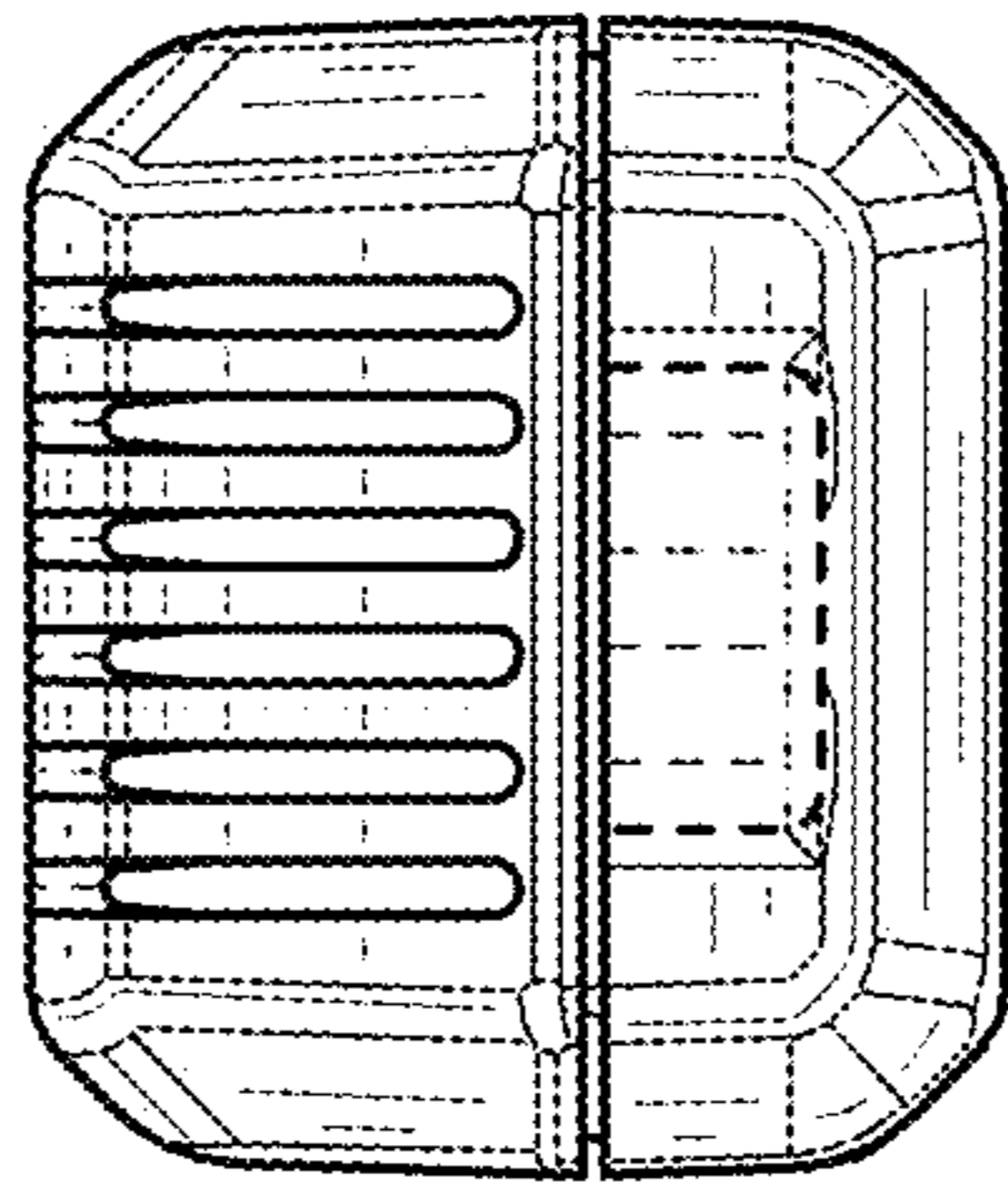


FIG. 3

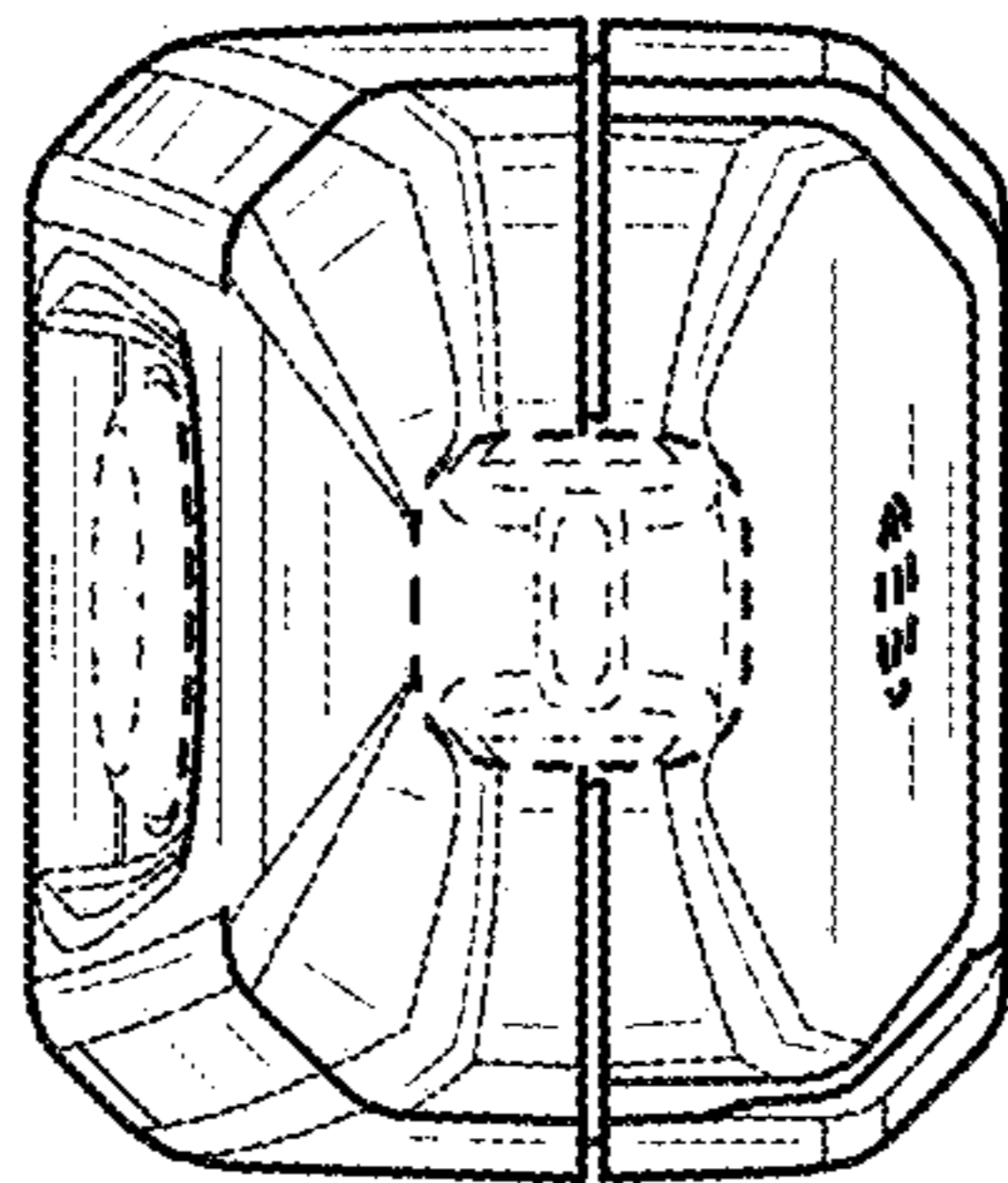


FIG. 2

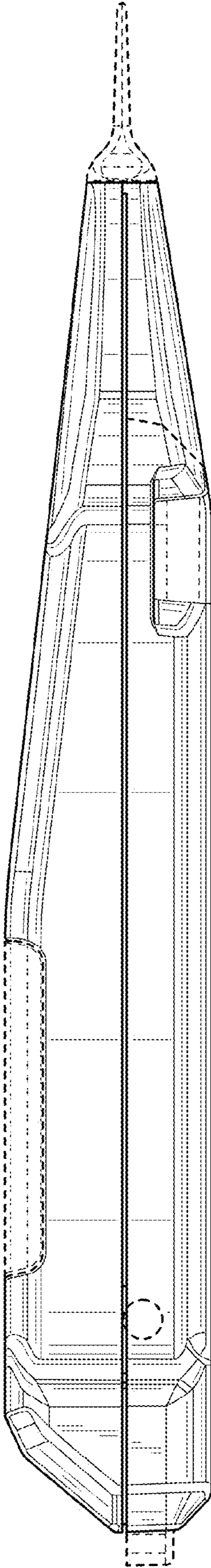


FIG. 4

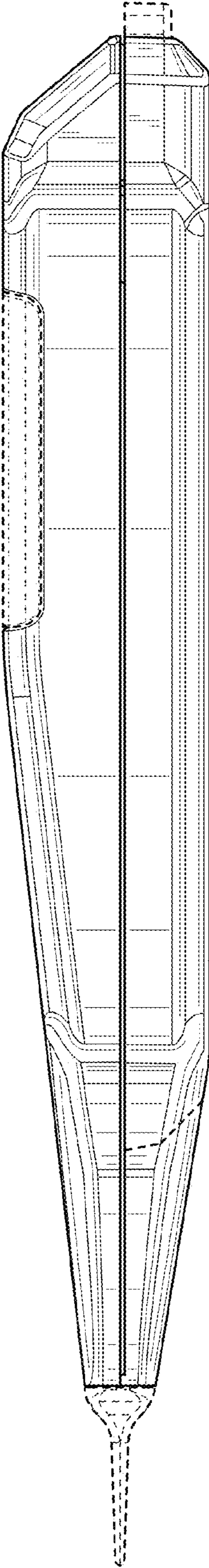


FIG. 5

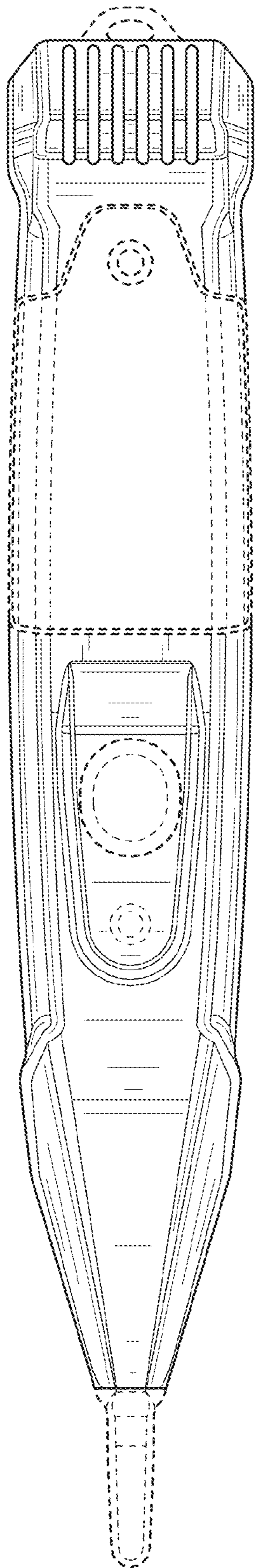


FIG. 6

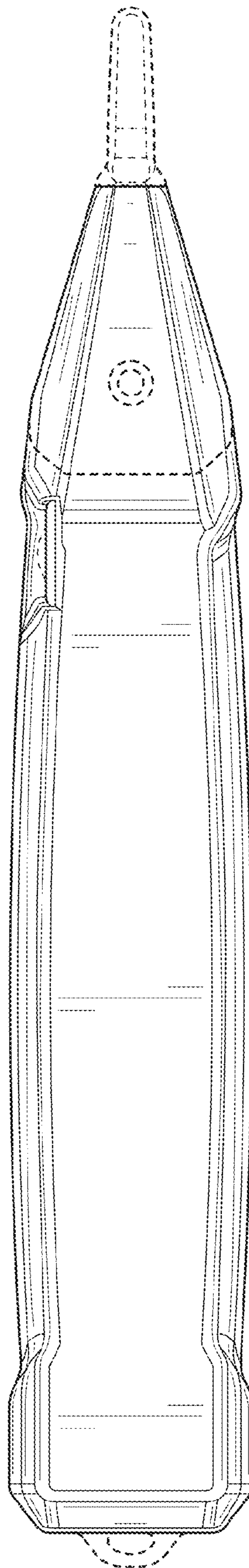


FIG. 7