



US00D972533S

(12) **United States Design Patent**
Cho et al.

(10) **Patent No.:** **US D972,533 S**

(45) **Date of Patent:** **** Dec. 13, 2022**

(54) **SPEAKER**

(71) Applicant: **LG ELECTRONICS INC.**, Seoul
(KR)

(72) Inventors: **Kyeongchul Cho**, Seoul (KR); **Heesu Yang**, Seoul (KR); **Gangho Woo**, Seoul (KR)

(73) Assignee: **LG ELECTRONICS INC.**, Seoul
(KR)

(**) Term: **15 Years**

(21) Appl. No.: **29/794,085**

(22) Filed: **Jun. 10, 2021**

(30) **Foreign Application Priority Data**

Dec. 24, 2020 (KR) 30-2020-0064983

(51) **LOC (13) Cl.** **14-01**

(52) **U.S. Cl.**
USPC **D14/216**

(58) **Field of Classification Search**
USPC ... D14/204, 209.1, 213, 214, 215, 216, 358,
D14/496, 242, 314, 240, 210, 217, 209,
D14/433, 222, 203.1; D9/500, 504;
D26/104, 37, 49, 40, 42
CPC H04R 1/021; H04R 1/025; H04R 1/026;
H04R 2201/02
See application file for complete search history.

(56) **References Cited**

U.S. PATENT DOCUMENTS

D693,330 S * 11/2013 Lee D14/215
D727,298 S * 4/2015 Chang D14/216

D807,873 S * 1/2018 Seoc D14/314
D838,690 S * 1/2019 Cheon D14/216
D879,072 S * 3/2020 Peng D14/216
D879,152 S * 3/2020 McWilliam D14/496
D882,546 S * 4/2020 Ivey D14/209
D886,772 S * 6/2020 Xiong D14/204
D886,775 S * 6/2020 Shi D14/204
D890,120 S * 7/2020 Peng D14/204
D905,012 S * 12/2020 Lee D14/216
D905,049 S * 12/2020 Lu D14/496
D951,927 S * 5/2022 Unter Ecker D14/242

* cited by examiner

Primary Examiner — Khawaja Anwar

Assistant Examiner — Megan Tiana Rakos

(74) *Attorney, Agent, or Firm* — Birch, Stewart, Kolasch & Birch, LLP

(57) **CLAIM**

The ornamental design for a speaker, as shown and described.

DESCRIPTION

FIG. 1 is a front, right side, perspective view of a speaker showing our new design;
FIG. 2 is a front view thereof;
FIG. 3 is a rear view thereof;
FIG. 4 is a left side view thereof;
FIG. 5 is a right side view thereof;
FIG. 6 is a top view thereof;
FIG. 7 is a bottom view thereof;
FIG. 8 is an enlarged view of an area labeled FIG. 8 in FIG. 1; and,
FIG. 9 is a reference view.
The broken lines in FIG. 9 represents environment and forms no part of the claimed design.

1 Claim, 8 Drawing Sheets

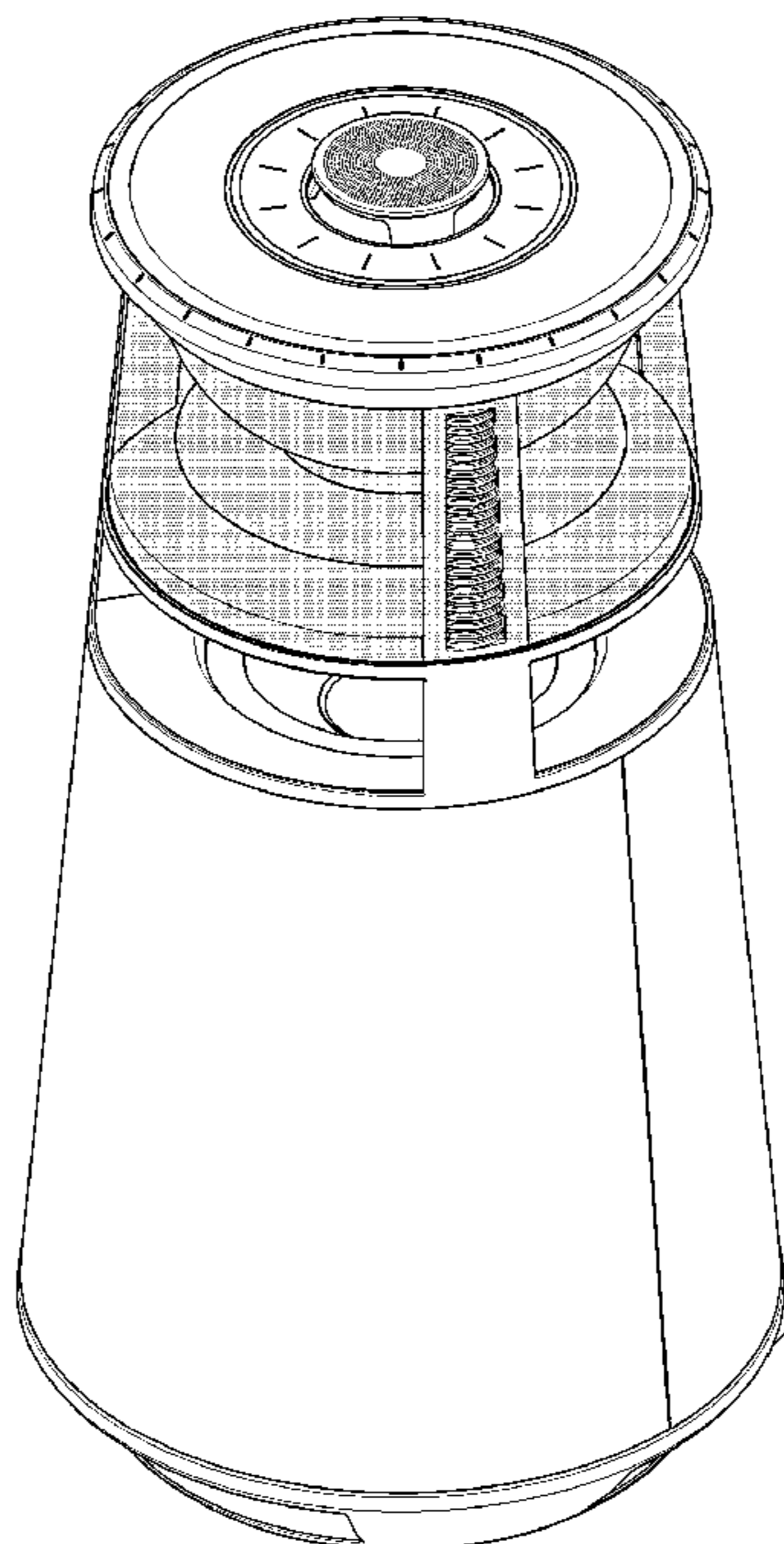


FIG. 1

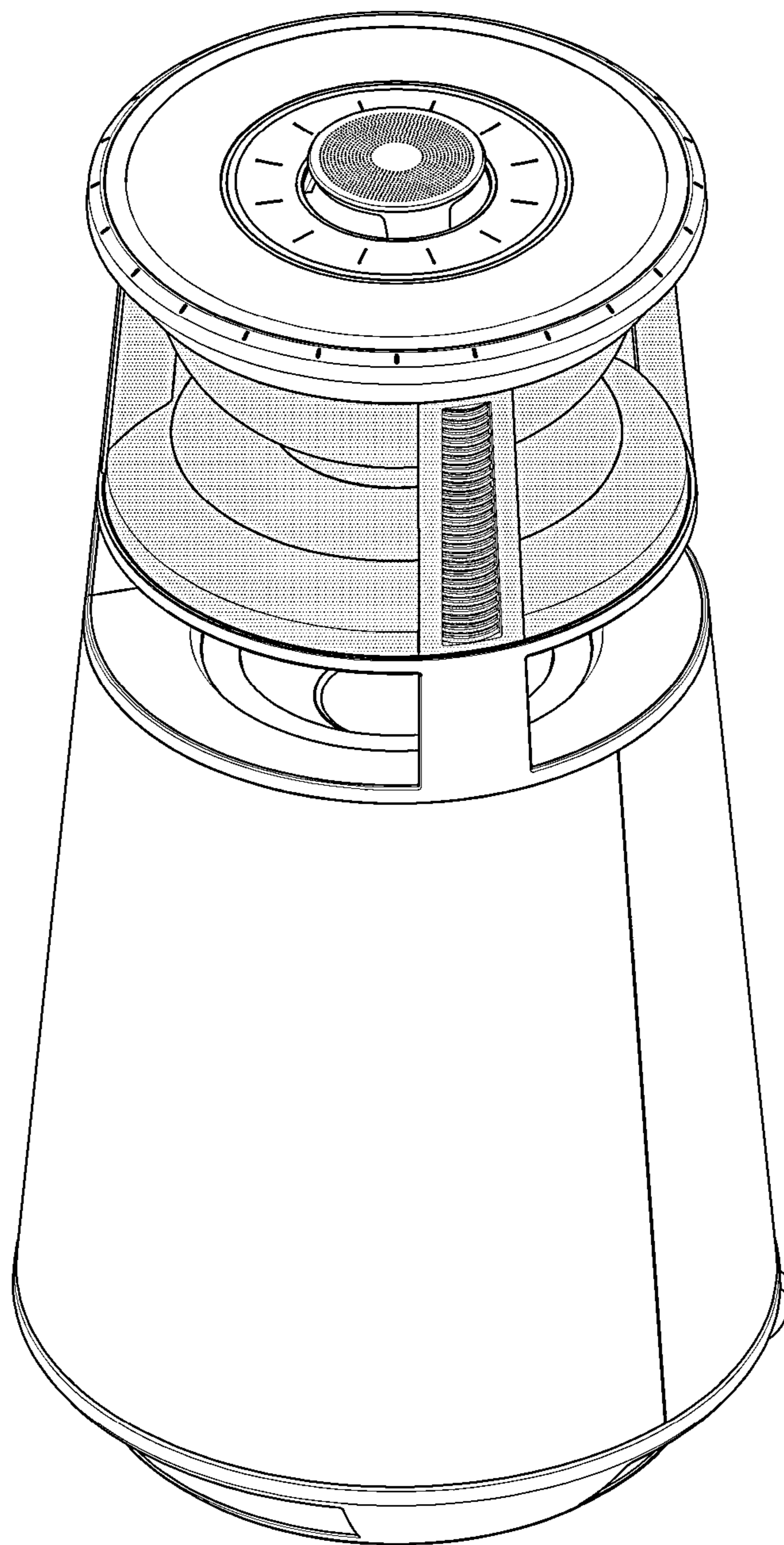


FIG. 2

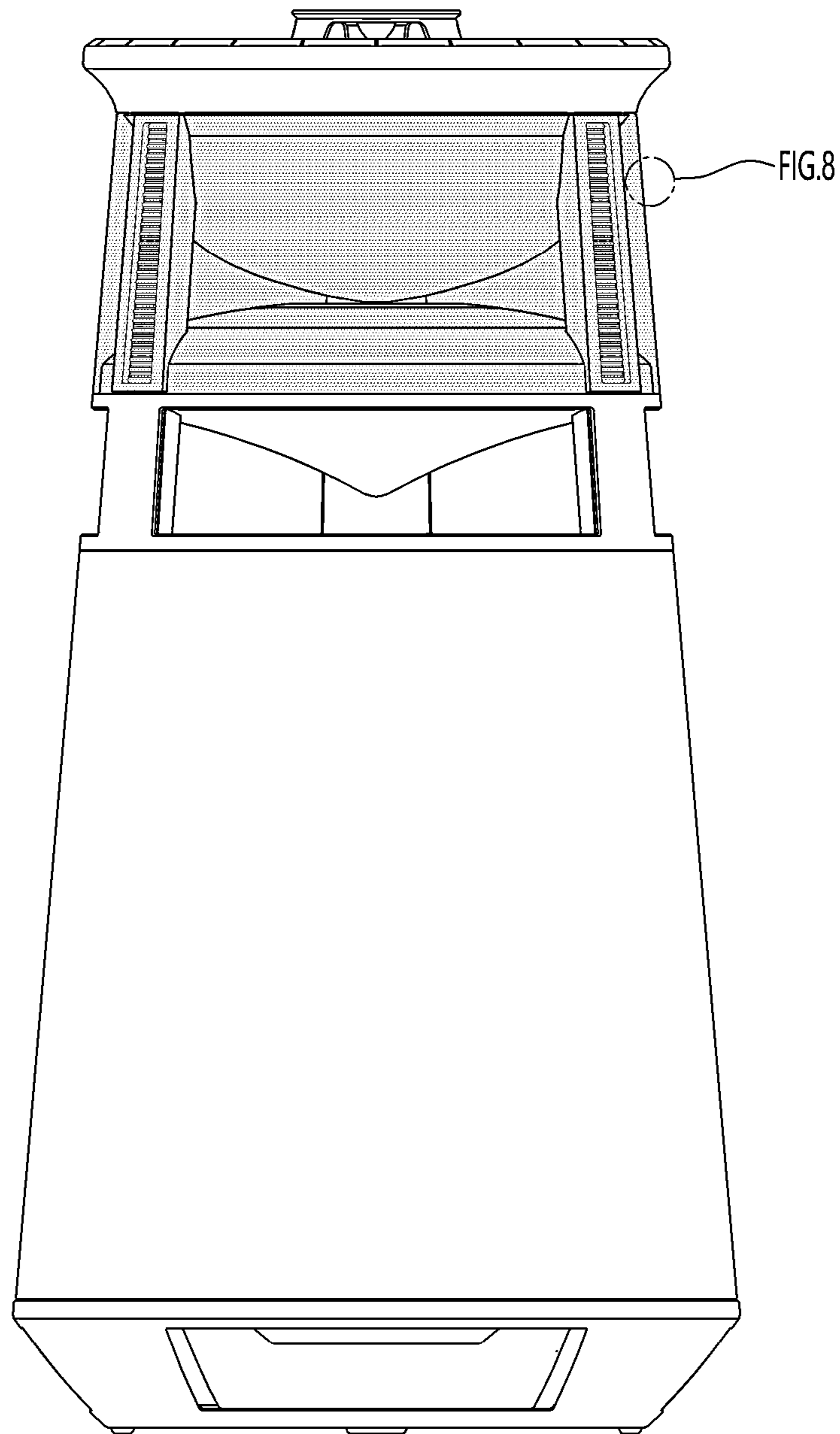


FIG. 3

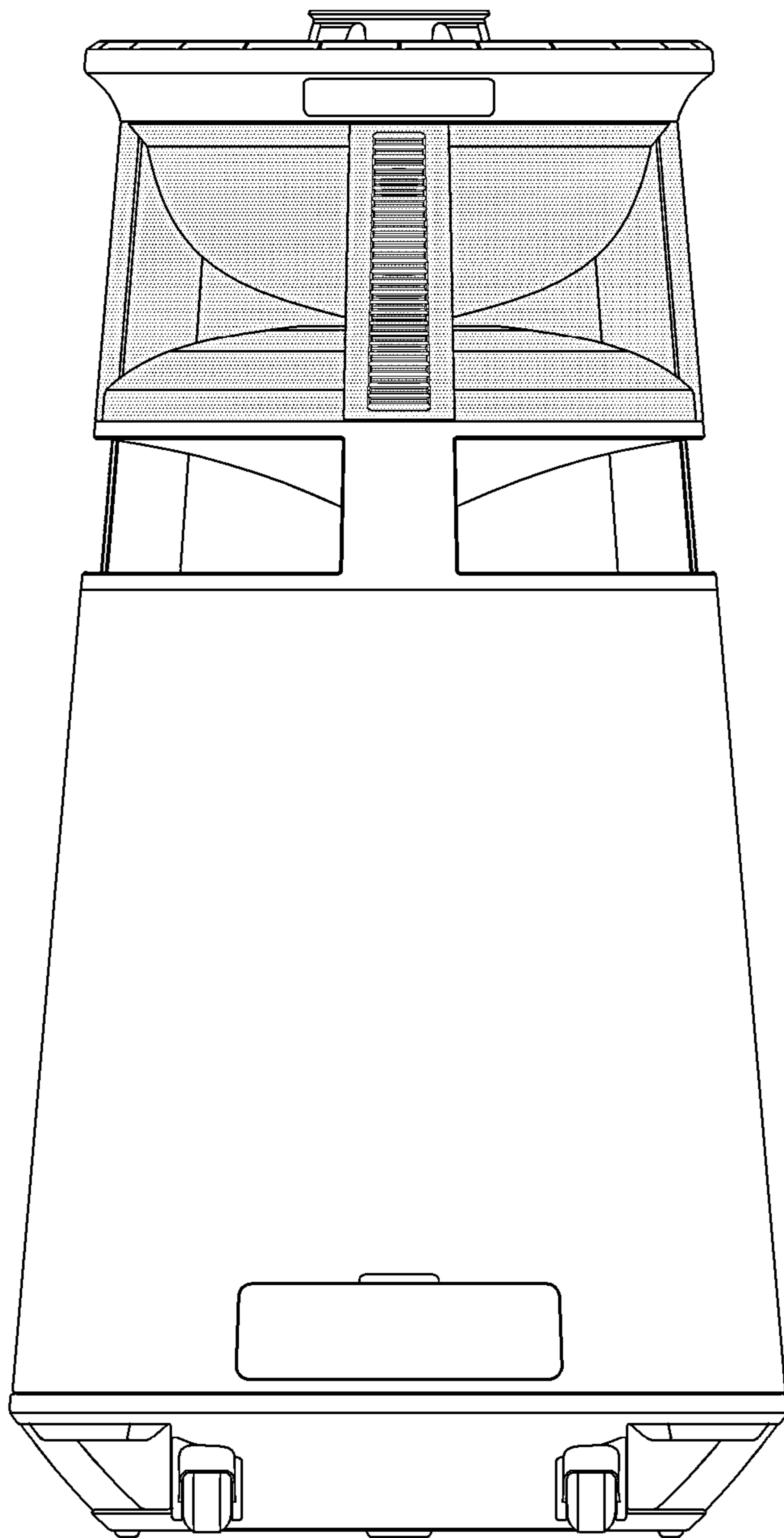


FIG. 4

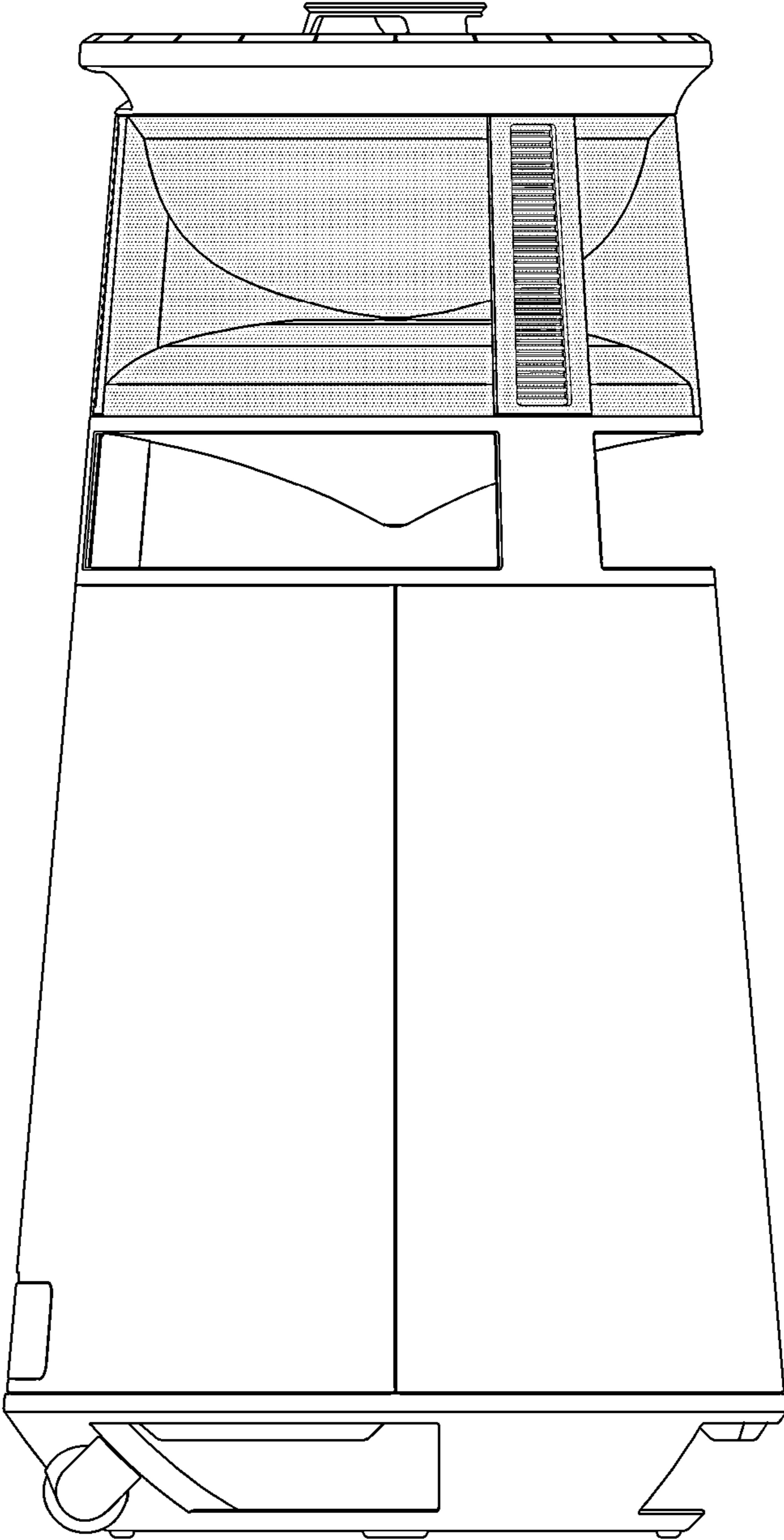


FIG. 5

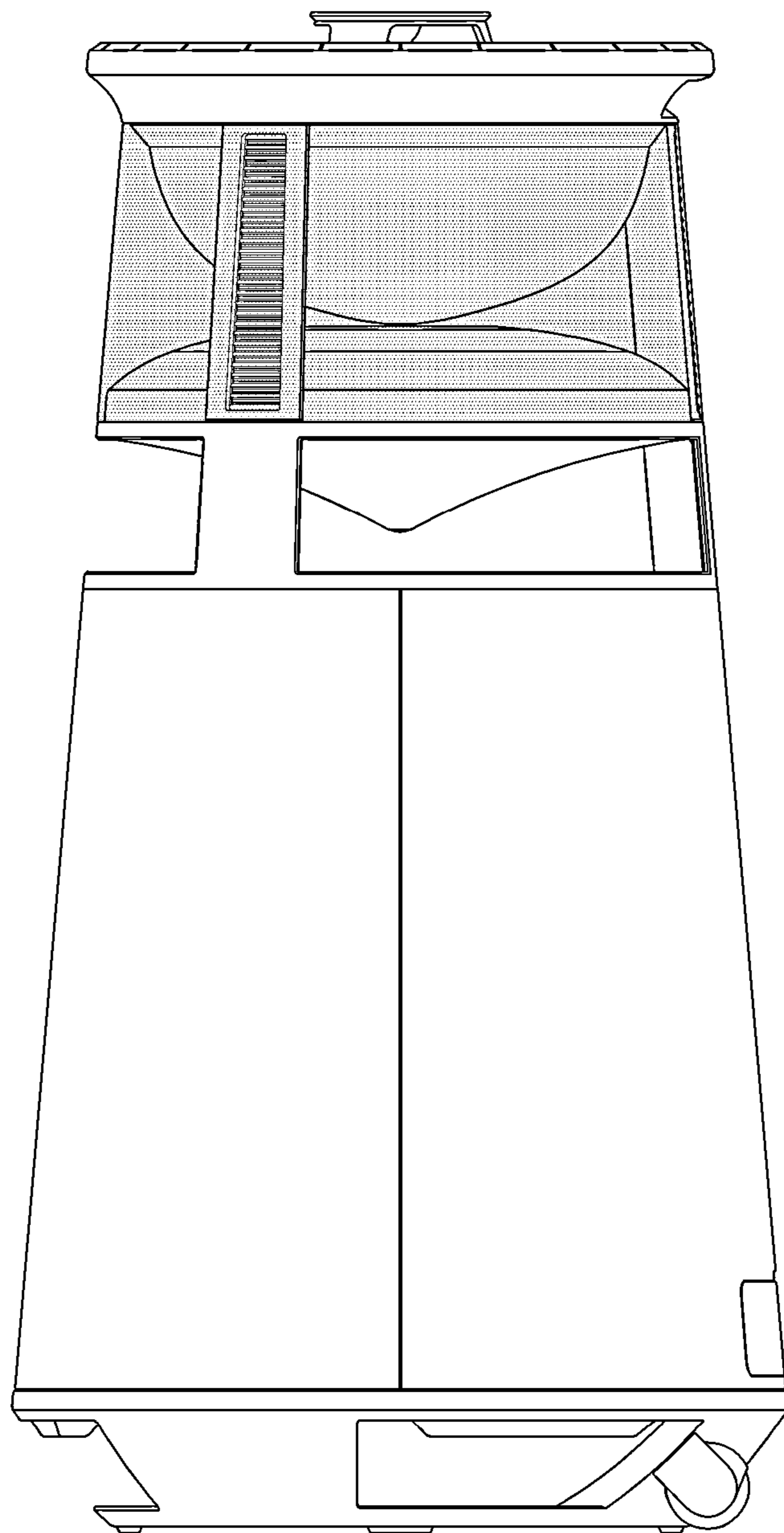


FIG. 6

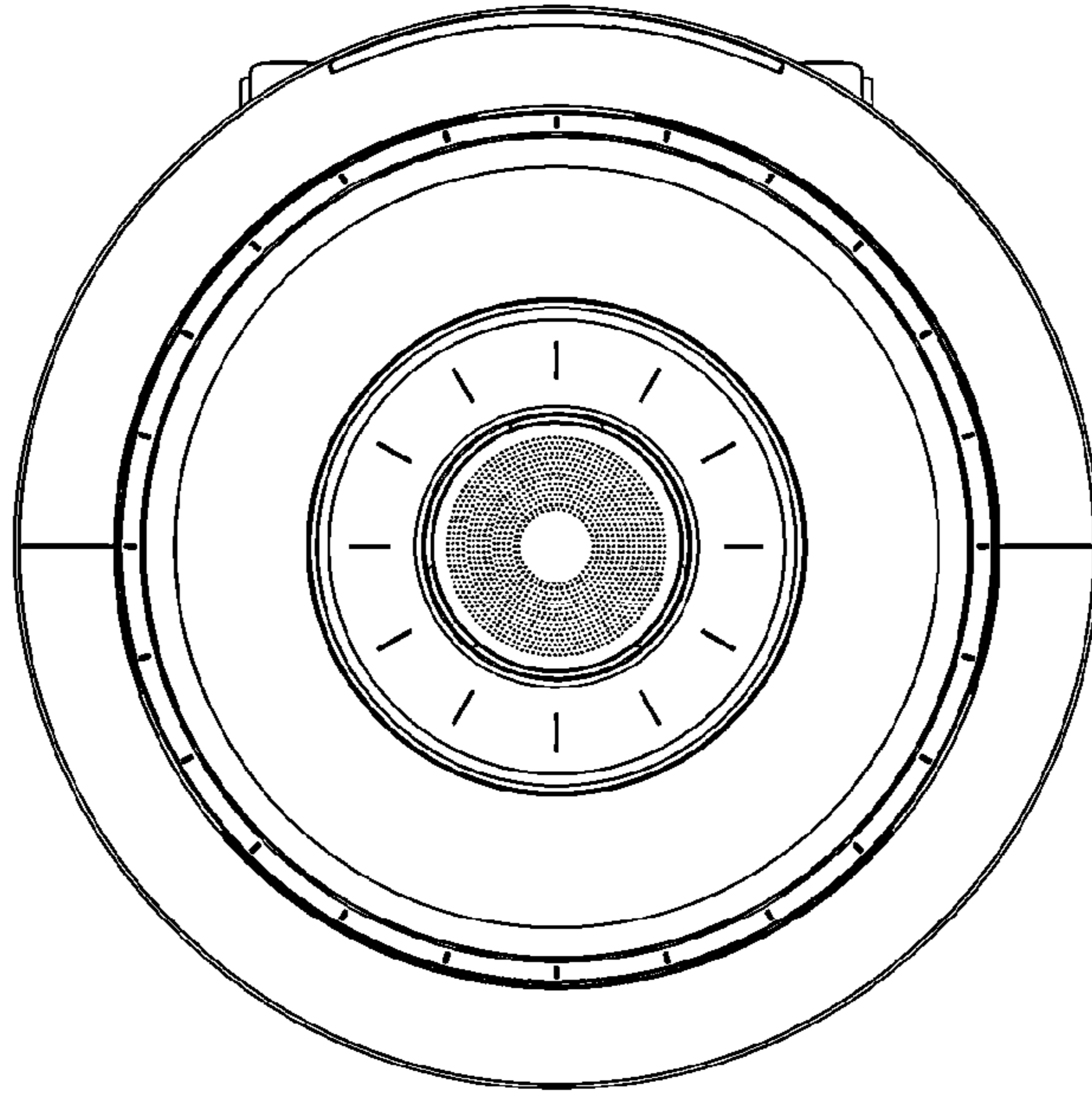


FIG. 7

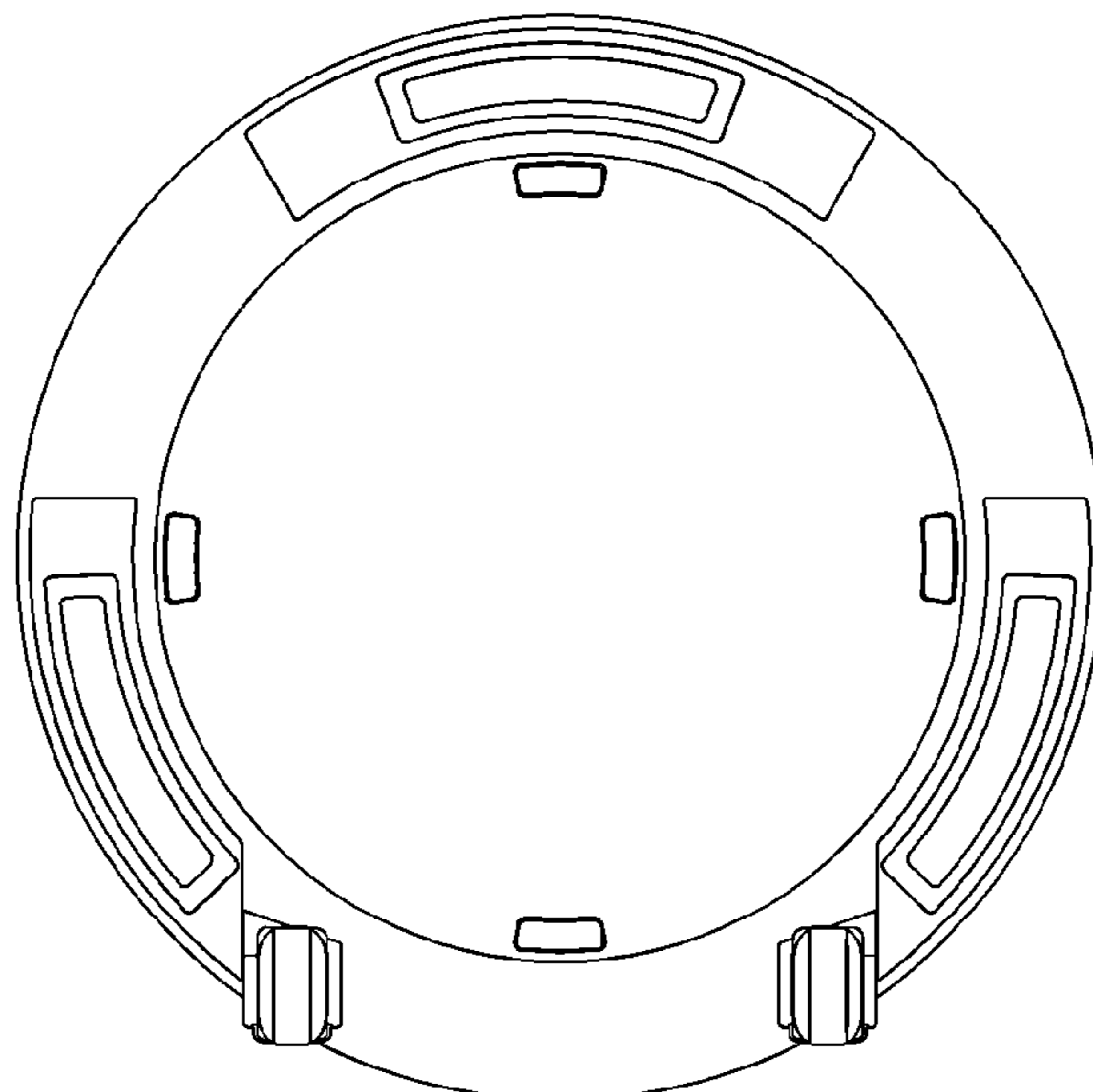


FIG. 8

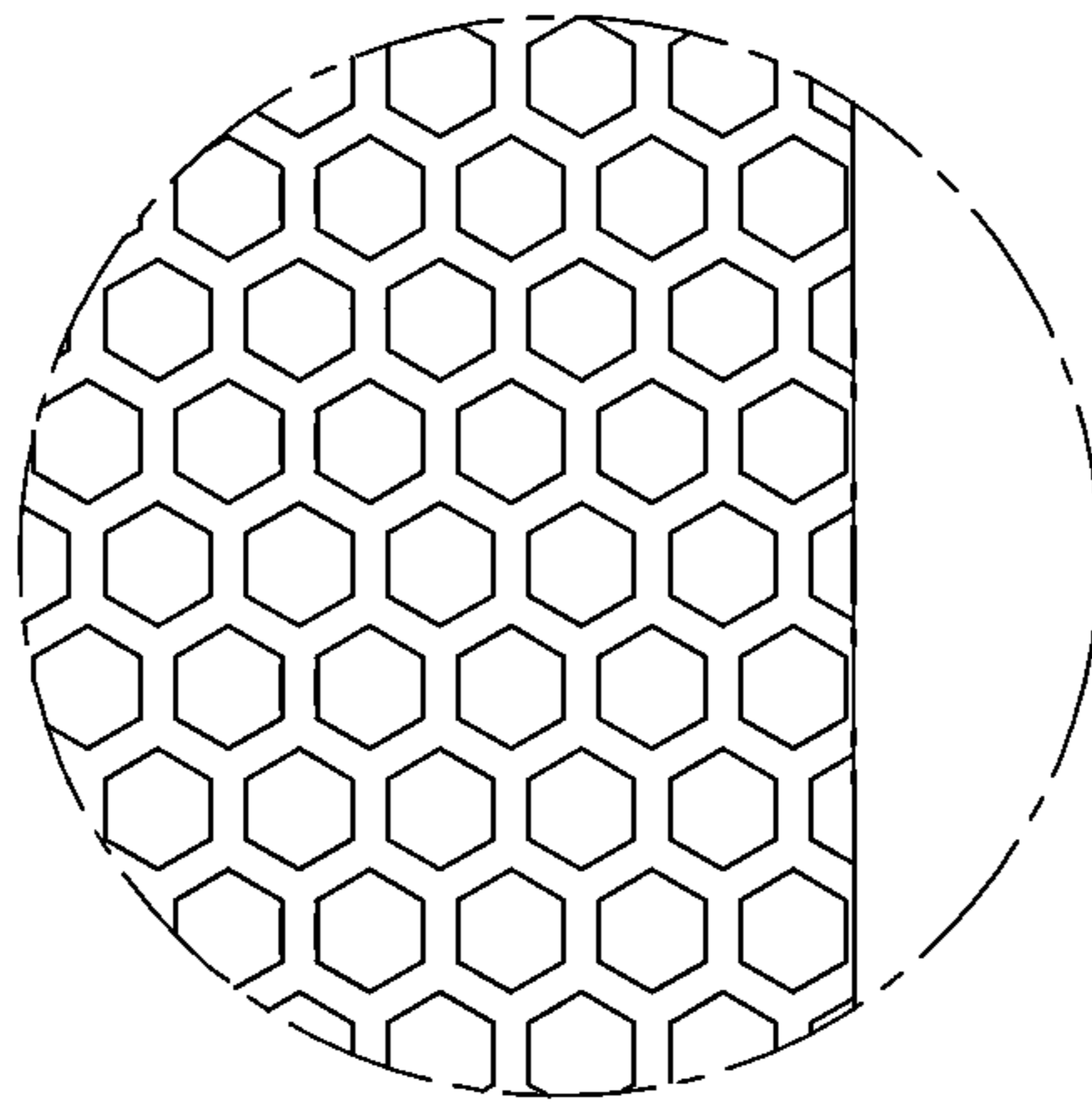


FIG. 9

