



US00D972532S

(12) **United States Design Patent**
Liao et al.

(10) **Patent No.:** **US D972,532 S**
(45) **Date of Patent:** **** Dec. 13, 2022**

(54) **ELECTRONIC DEVICE**

(71) Applicant: **Amazon Technologies, Inc.**, Seattle,
WA (US)

(72) Inventors: **Wenhai Liao**, Huizhou (CN); **Michael Edward James Paterson**, San Francisco, CA (US)

(73) Assignee: **Amazon Technologies, Inc.**, Seattle,
WA (US)

(**) Term: **15 Years**

(21) Appl. No.: **29/704,339**

(22) Filed: **Sep. 4, 2019**

(51) **LOC (13) Cl.** **14-03**

(52) **U.S. Cl.**
USPC **D14/216**; D14/496

(58) **Field of Classification Search**
USPC D14/167, 168, 170–172, 188, 194–196,
D14/204, 209.1, 210–216, 219, 221, 222,
D14/224, 239, 496

CPC B60R 11/0217; G06F 1/1688; G10K 9/22;
G10K 11/004; H03F 1/327; H04M 1/03;
H04M 1/035; H04N 5/642; H04N
21/4852; H04R 1/02; H04R 1/06; H04R
1/021; H04R 1/025; H04R 1/026; H04R
1/028; H04R 1/105; H04R 1/323; H04R
1/403; H04R 1/2803; H04R 1/2834;
H04R 5/02; H04R 7/20; H04R 9/06;
H04R 9/025; H04R 2201/021; H04R
2400/00; H04R 2400/07; H04R 2499/11;
H04R 2499/13; H04R 2499/15; H04S
3/00; H04S 7/30

See application file for complete search history.

(56) **References Cited**

U.S. PATENT DOCUMENTS

D802,022 S * 11/2017 Yao D14/496
D886,079 S * 6/2020 Feng D14/216

D886,773 S * 6/2020 Zheng D14/204
D931,834 S * 9/2021 Han D14/216
D937,436 S * 11/2021 He D24/231
D954,930 S * 6/2022 Lee D23/366

OTHER PUBLICATIONS

Amazon—EWA Store; “. . . Mini Bluetooth Speaker . . . EWA A 106”; [online] ‘https://www.amazon.com/dp/B074T62N9N’; dated Aug. 14, 2017; accessed Aug. 1, 2022; 4pgs. (Year: 2017).*
Canadian Office Action dated Aug. 11, 2021 for Canadian Patent Application No. 193512, a foreign counterpart to U.S. Appl. No. 29/704,339, 2 pages.

The Indian Office Action dated May 8, 2020 for Indian Patent Application No. 327824-001, a counterpart of U.S. Appl. No. 29/704,339, 10 pages.

The Indian Office Action dated Apr. 27, 2020 for Indian Patent Application No. 327825-001, a counterpart of U.S. Appl. No. 29/704,339, 10 pages.

* cited by examiner

Primary Examiner — Keli L Hill

(74) *Attorney, Agent, or Firm* — Lee & Hayes, P.C.

(57) **CLAIM**

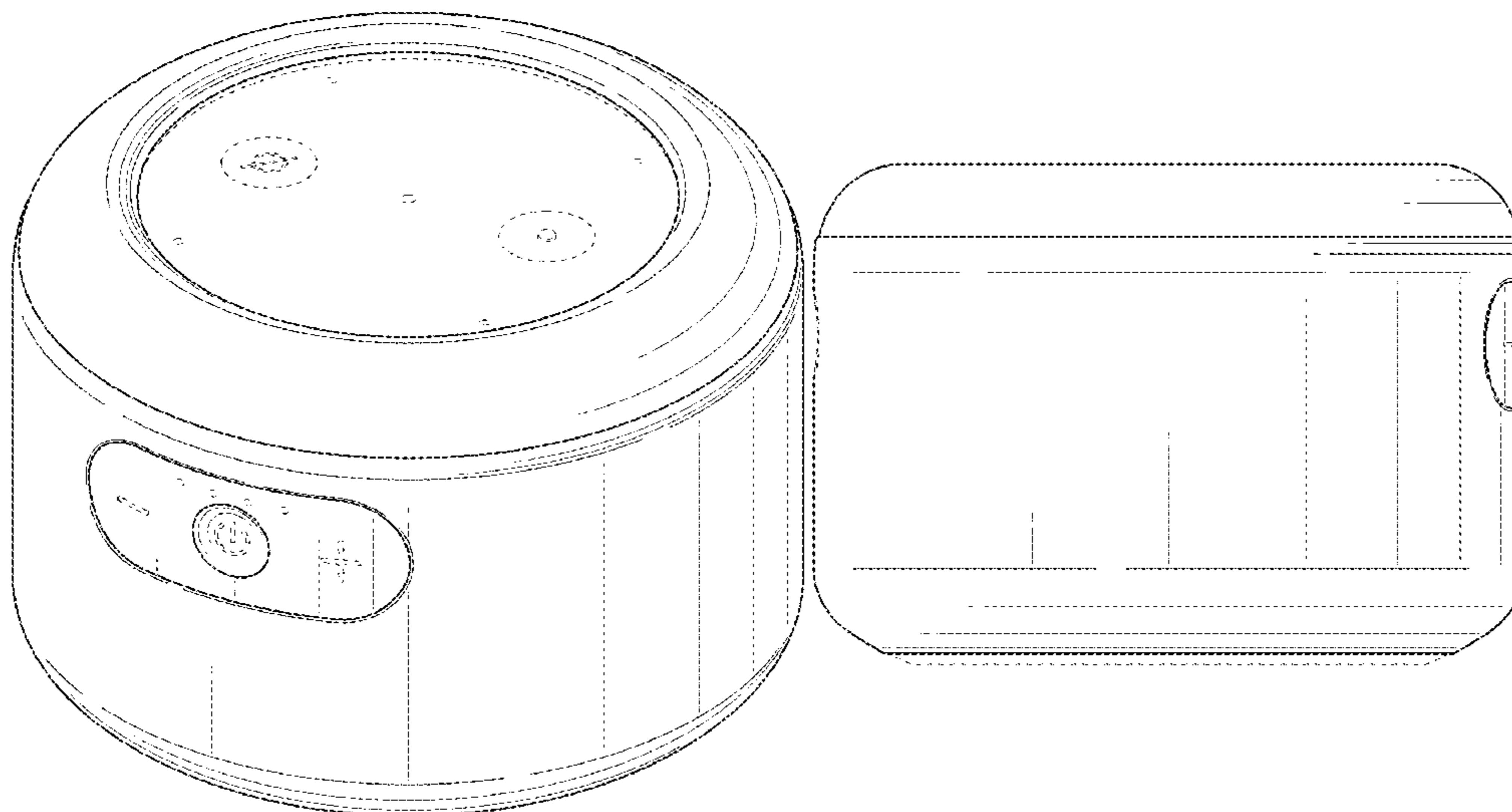
The ornamental design for an electronic device, as shown and described.

DESCRIPTION

FIG. 1 is a top perspective view of an electronic device;
FIG. 2 is a front view thereof;
FIG. 3 is a back view thereof;
FIG. 4 is a left-side view thereof;
FIG. 5 is a right-side view thereof;
FIG. 6 is a top view thereof; and,
FIG. 7 is a bottom view thereof.

The dashed broken lines depict portions of the electronic device that form no part of the claimed design.

1 Claim, 4 Drawing Sheets



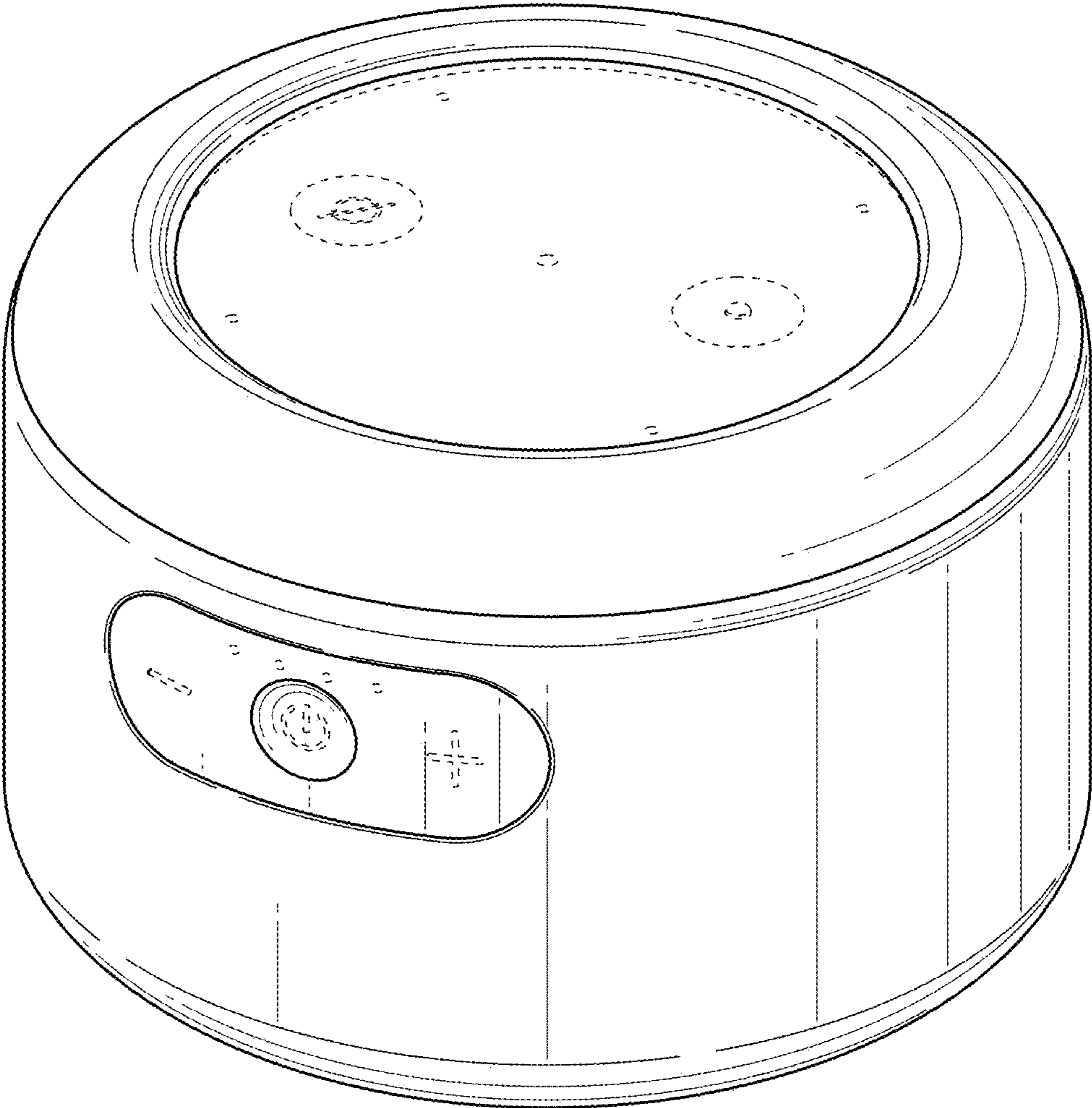


FIG. 1

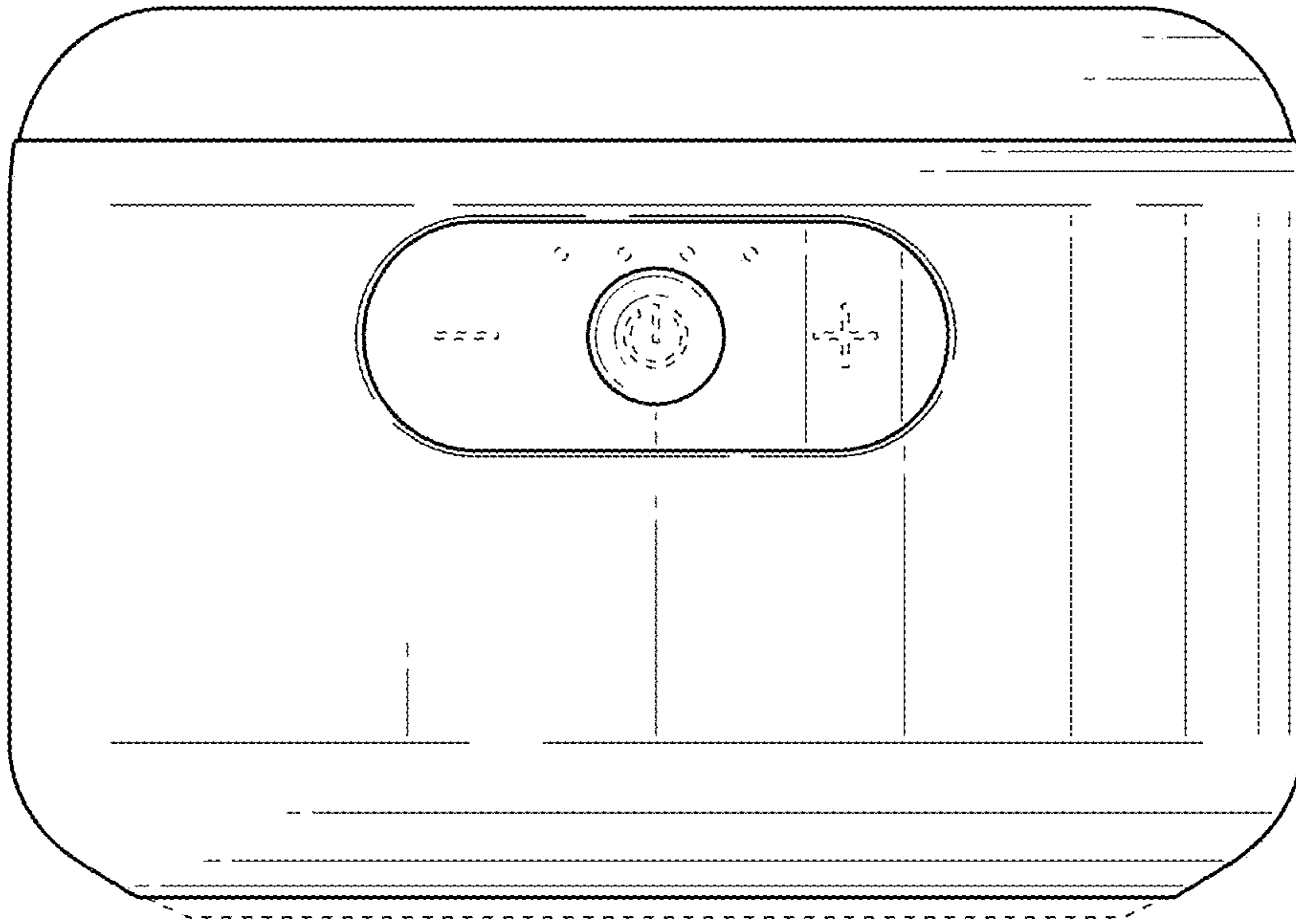


FIG. 2

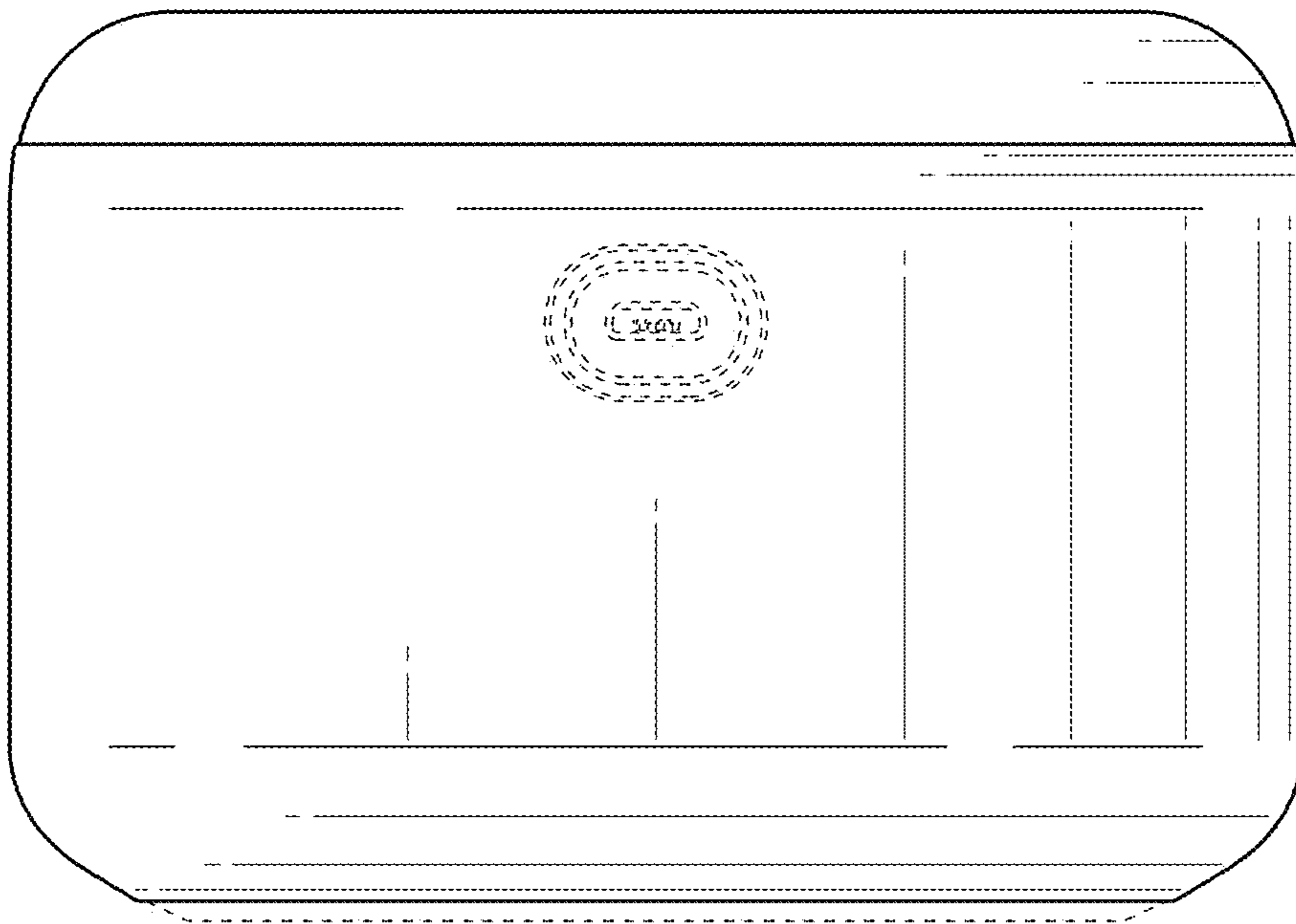


FIG. 3

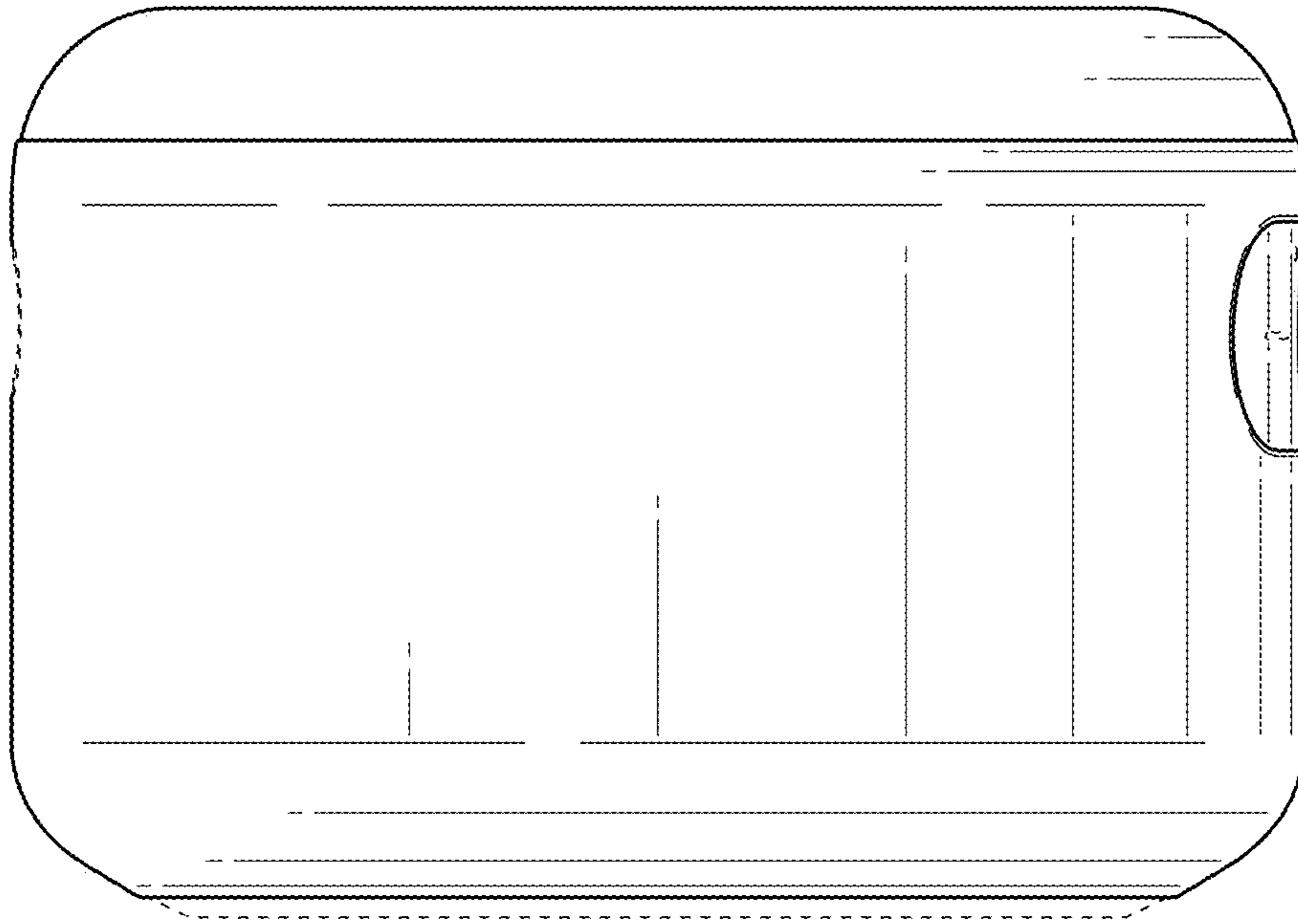


FIG. 4

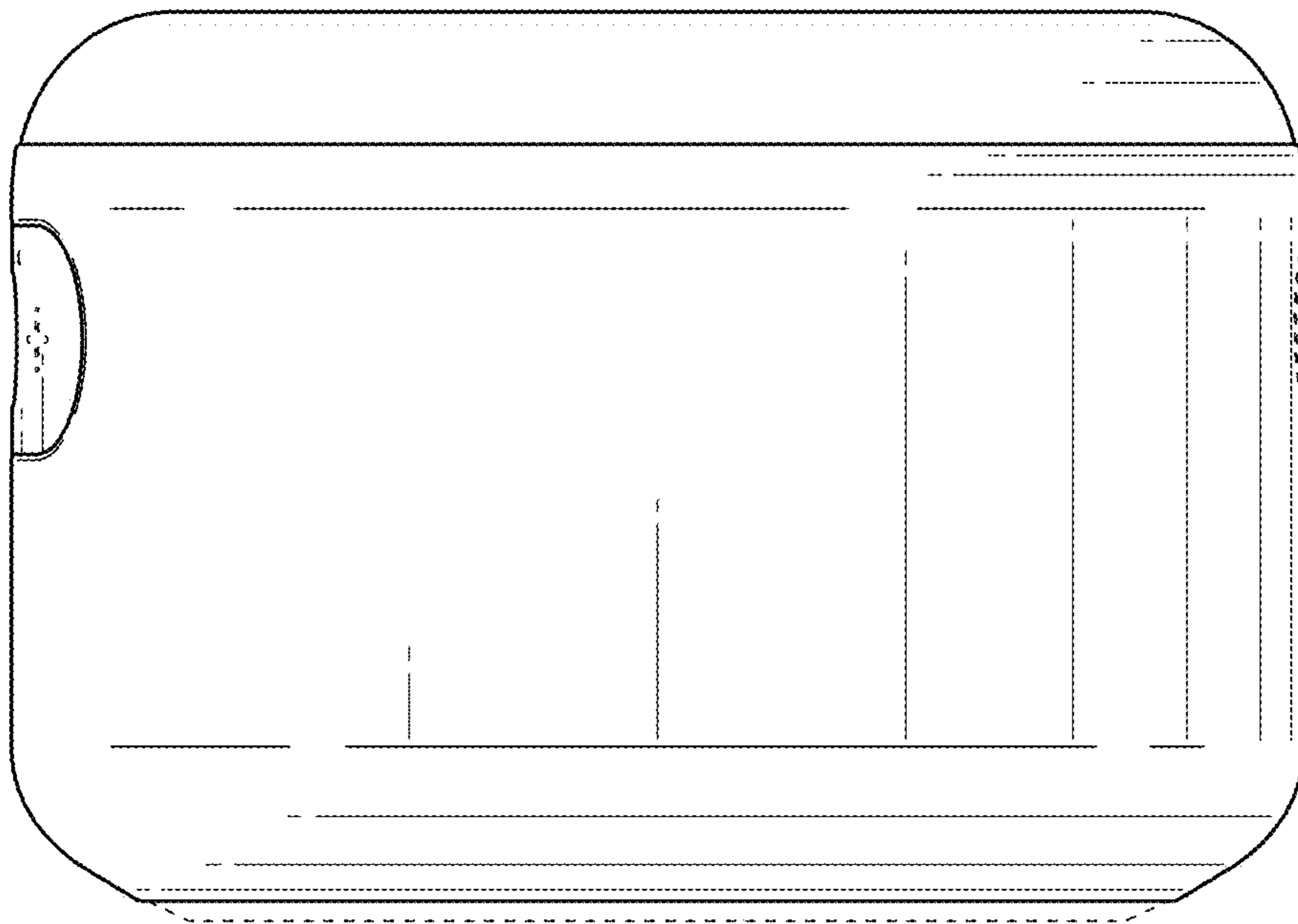


FIG. 5

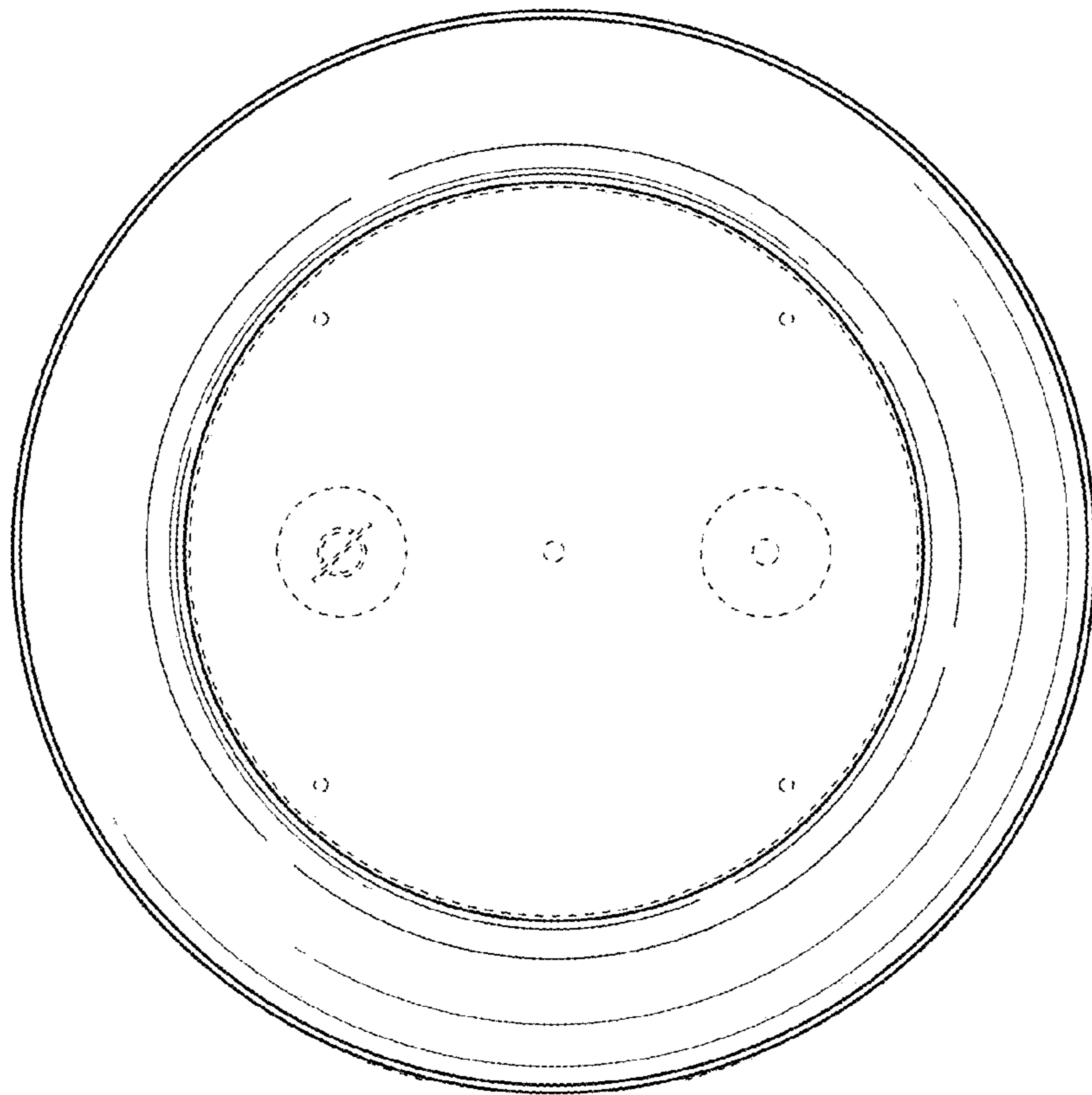


FIG. 6

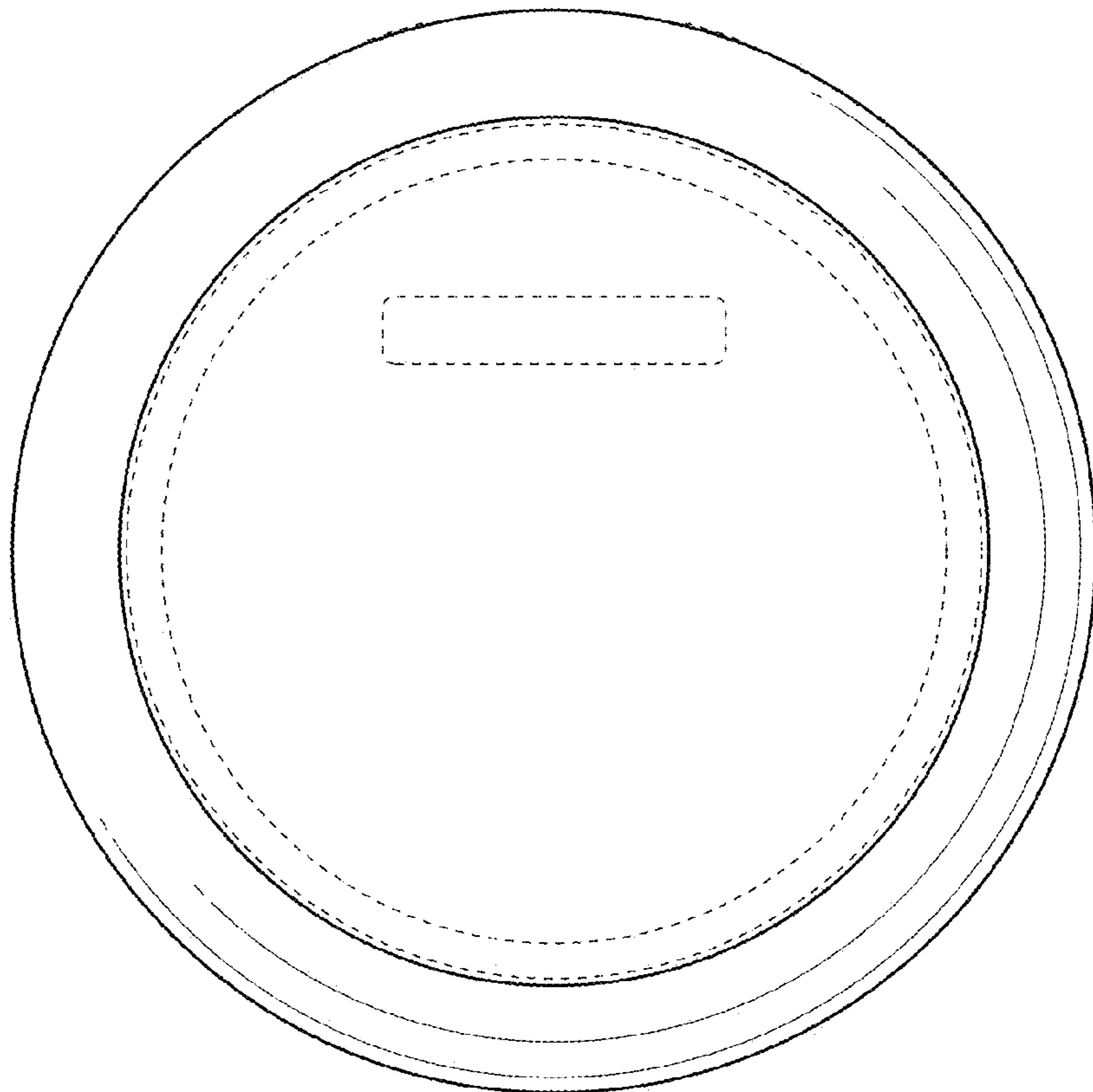


FIG. 7