

US00D972528S

(12) **United States Design Patent**
Guo

(10) **Patent No.:** **US D972,528 S**

(45) **Date of Patent:** **** Dec. 13, 2022**

(54) **HEADPHONE**

(71) Applicant: **Ting Guo**, Guangdong (CN)

(72) Inventor: **Ting Guo**, Guangdong (CN)

(**) Term: **15 Years**

(21) Appl. No.: **29/758,713**

(22) Filed: **Nov. 18, 2020**

(51) **LOC (13) Cl.** **14-01**

(52) **U.S. Cl.**
USPC **D14/205**

(58) **Field of Classification Search**

USPC D14/205, 188, 192; D29/112; 2/209;
381/380-381, 374

CPC H04R 25/00; H04R 25/02; H04R 1/1006;
H04R 1/1016; H04R 1/10; H04R 5/033;
H04R 5/0335; H04R 1/105; H04R
1/1008; H04R 1/1041; H04R 1/1091;
H04R 1/1058

See application file for complete search history.

(56) **References Cited**

U.S. PATENT DOCUMENTS

D229,833 S *	1/1974	Becker	D14/205
D332,071 S *	12/1992	Borden	D12/8
D333,137 S *	2/1993	Burke	D14/206
D403,128 S *	12/1998	Scanlon	D29/112
D571,354 S *	6/2008	Ng	D14/205
D592,639 S *	5/2009	Kuh	D14/205
D600,674 S *	9/2009	Brennwald	D14/205
D623,167 S *	9/2010	Hildebrandt	D14/205
D628,554 S *	12/2010	Tedja	D14/205
D641,727 S *	7/2011	Krauss	D14/206
D664,118 S *	7/2012	Tappeiner	D14/205
D685,759 S *	7/2013	Kelly	D14/205
D689,464 S *	9/2013	Bonahoom	D14/206
D722,591 S *	2/2015	Son	D14/205
D727,278 S *	4/2015	Solomon	D14/205

D734,297 S *	7/2015	Sasaki	D14/205
D741,286 S *	10/2015	Brennwald	D14/205
D746,790 S *	1/2016	Strasberg	D14/205
D761,761 S *	7/2016	Ando	D14/205
D765,055 S *	8/2016	Hsieh	D14/205
D767,531 S *	9/2016	Szymanski	D14/205
D768,110 S *	10/2016	Suzuki	D14/205
D778,258 S *	2/2017	Hsu	D14/205
D792,376 S *	7/2017	Morimoto	D14/205
D800,691 S *	10/2017	Ando	D14/205
D828,326 S *	9/2018	Ye	D14/205
D852,163 S *	6/2019	Nagamine	D14/205
D858,483 S *	9/2019	Hu	D14/205
D859,354 S *	9/2019	Xia	D14/205
D860,161 S *	9/2019	Xia	D14/205
D868,731 S *	12/2019	Jung	D14/205
D868,733 S *	12/2019	Luo	D14/205

(Continued)

FOREIGN PATENT DOCUMENTS

EM	008272686-0001	*	11/2020
EM	008749808-0001	*	11/2021

(Continued)

Primary Examiner — Paula Allen Greene

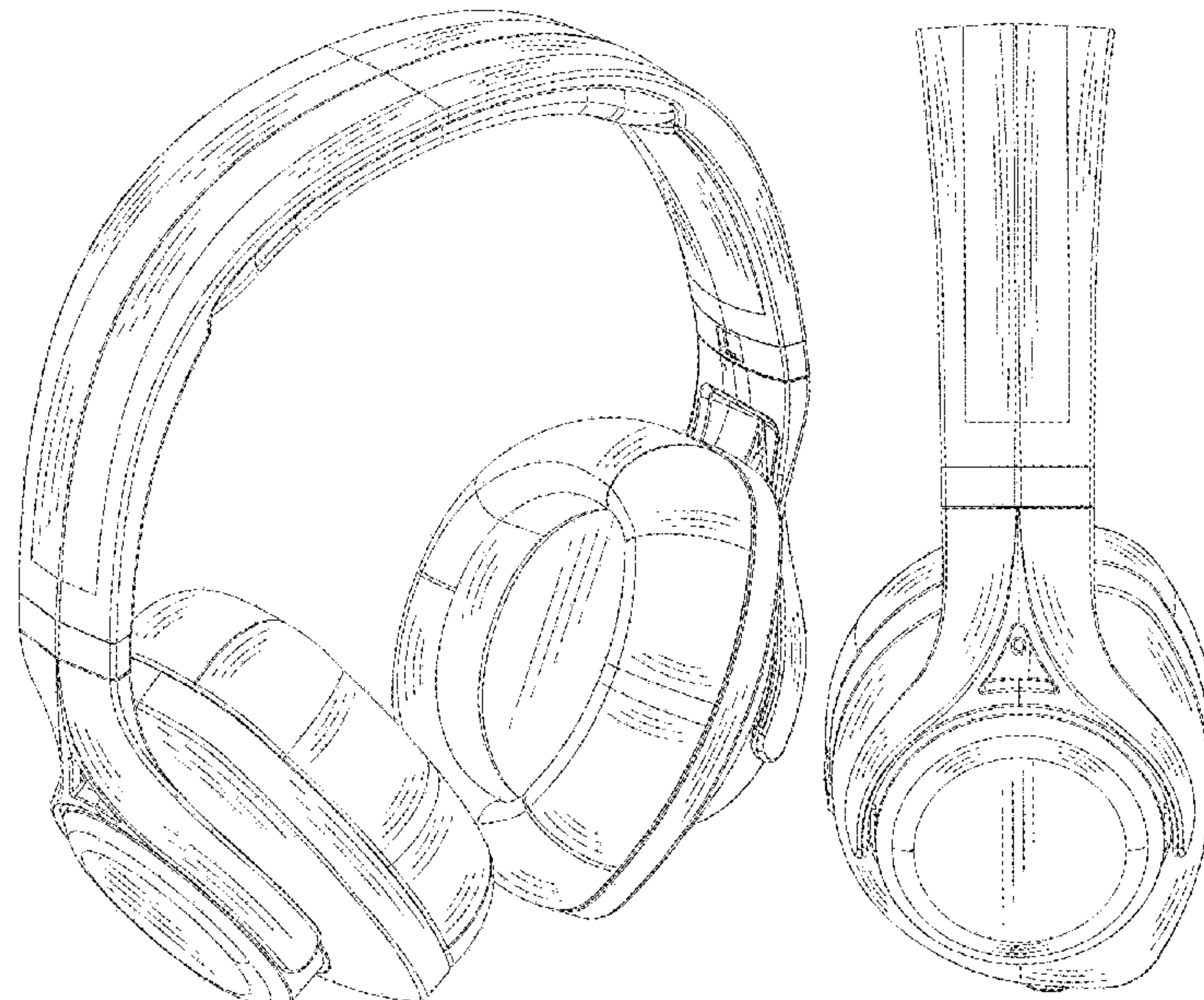
(57) **CLAIM**

The ornamental design for a headphone, as shown and described.

DESCRIPTION

FIG. 1 is a perspective view of a headphone showing my new design;
FIG. 2 is a front elevational view thereof;
FIG. 3 is a rear elevational view thereof;
FIG. 4 is a left side elevational view thereof;
FIG. 5 is a right side elevational view thereof;
FIG. 6 is a top plan view thereof;
FIG. 7 is a bottom plan view thereof; and,
FIG. 8 is a rear, right side perspective view thereof.

1 Claim, 8 Drawing Sheets



(56)

References Cited

U.S. PATENT DOCUMENTS

D877,715	S	*	3/2020	Hu	D14/205
D879,065	S	*	3/2020	Chan	D14/205
D879,742	S	*	3/2020	Hu	D14/205
D881,842	S	*	4/2020	Hu	D14/205
D892,079	S	*	8/2020	Wu	D14/205
D893,452	S	*	8/2020	Yook	D14/205
D899,402	S	*	10/2020	Shen	D14/206
D901,436	S	*	11/2020	Peng	D14/205
D904,339	S	*	12/2020	Wang	D14/205
D908,663	S	*	1/2021	Tamamura	D14/205
D909,987	S	*	2/2021	He	D14/205
D910,592	S	*	2/2021	Luo	D14/205
D915,348	S	*	4/2021	He	D14/206
D938,384	S	*	12/2021	Guerena	D14/205
D946,551	S	*	3/2022	Liu	D14/205
D954,019	S	*	6/2022	Shyu	D14/205
2016/0192064	A1	*	6/2016	Timothy	H04R 1/2815 381/74
2018/0206023	A1	*	7/2018	Lee	H04R 1/1025
2019/0230429	A1	*	7/2019	Bozaglo	H04R 5/033
2020/0404409	A1	*	12/2020	Chen	H02J 7/025

FOREIGN PATENT DOCUMENTS

EM	008812275-0001	*	12/2021
EM	008943435-0002	*	4/2022
GB	6064139	*	6/2019
GB	9006950135-0003	*	9/2019
JP	D1479218	*	8/2013

* cited by examiner



FIG. 1

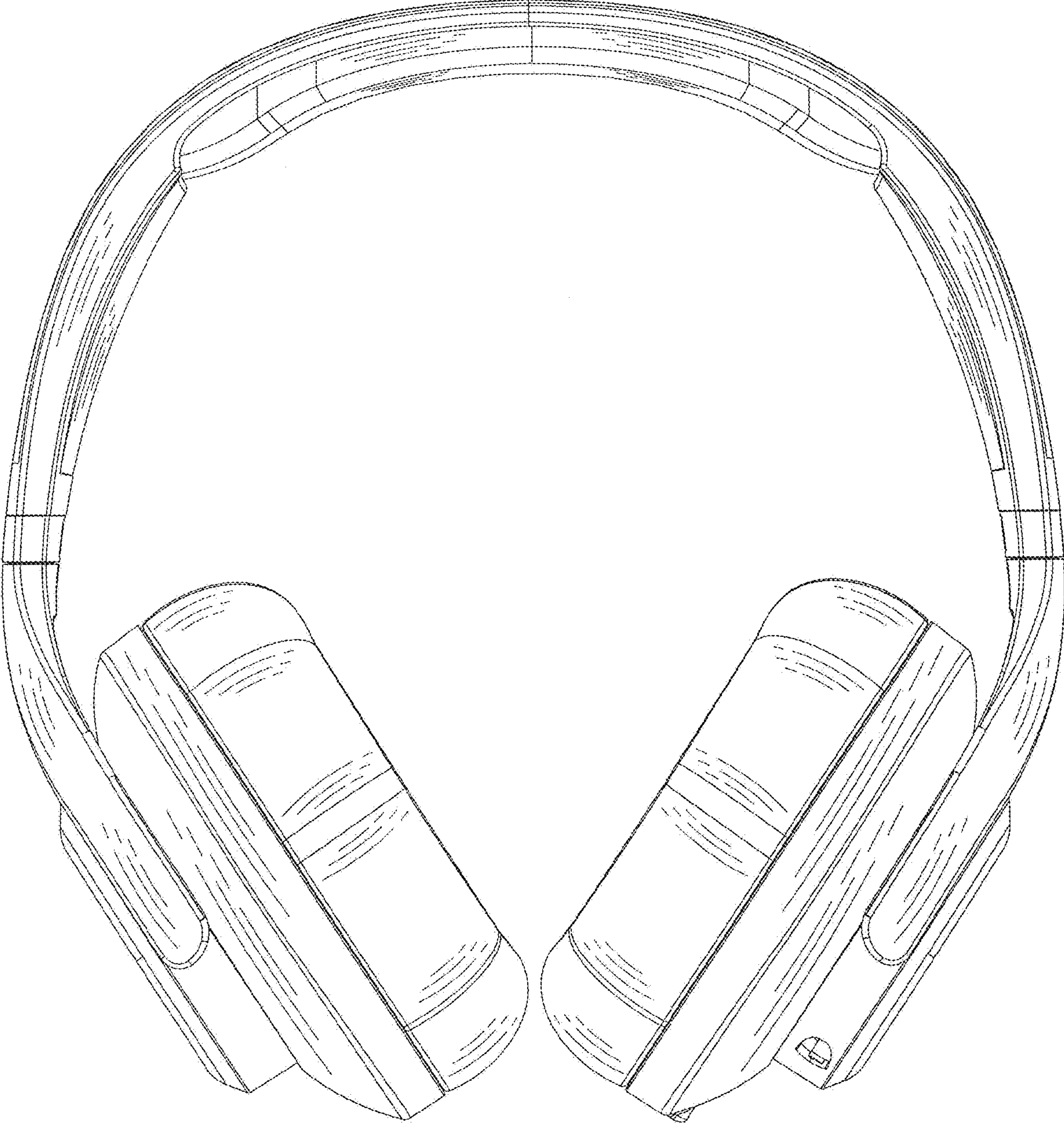


FIG. 2

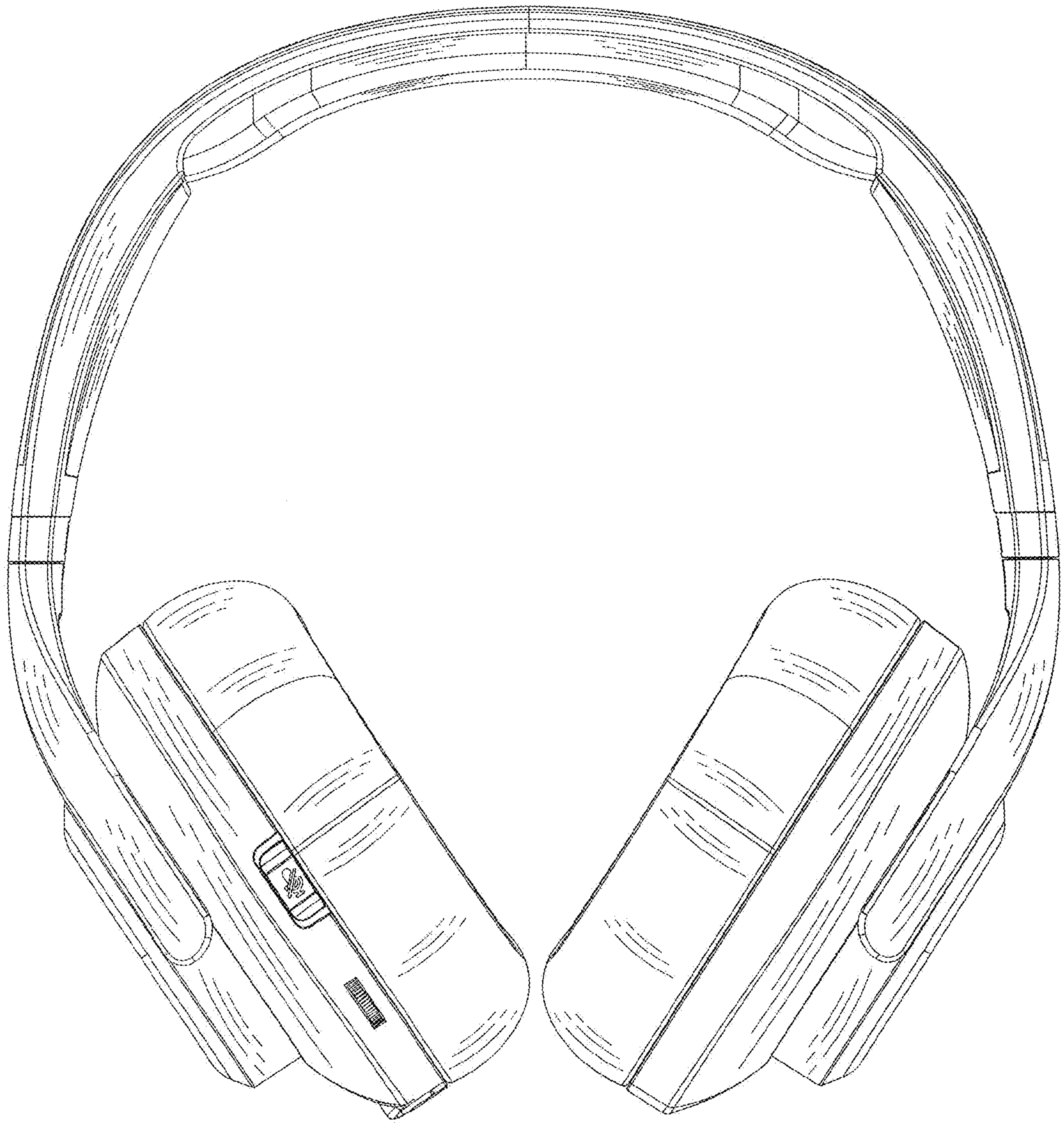


FIG. 3

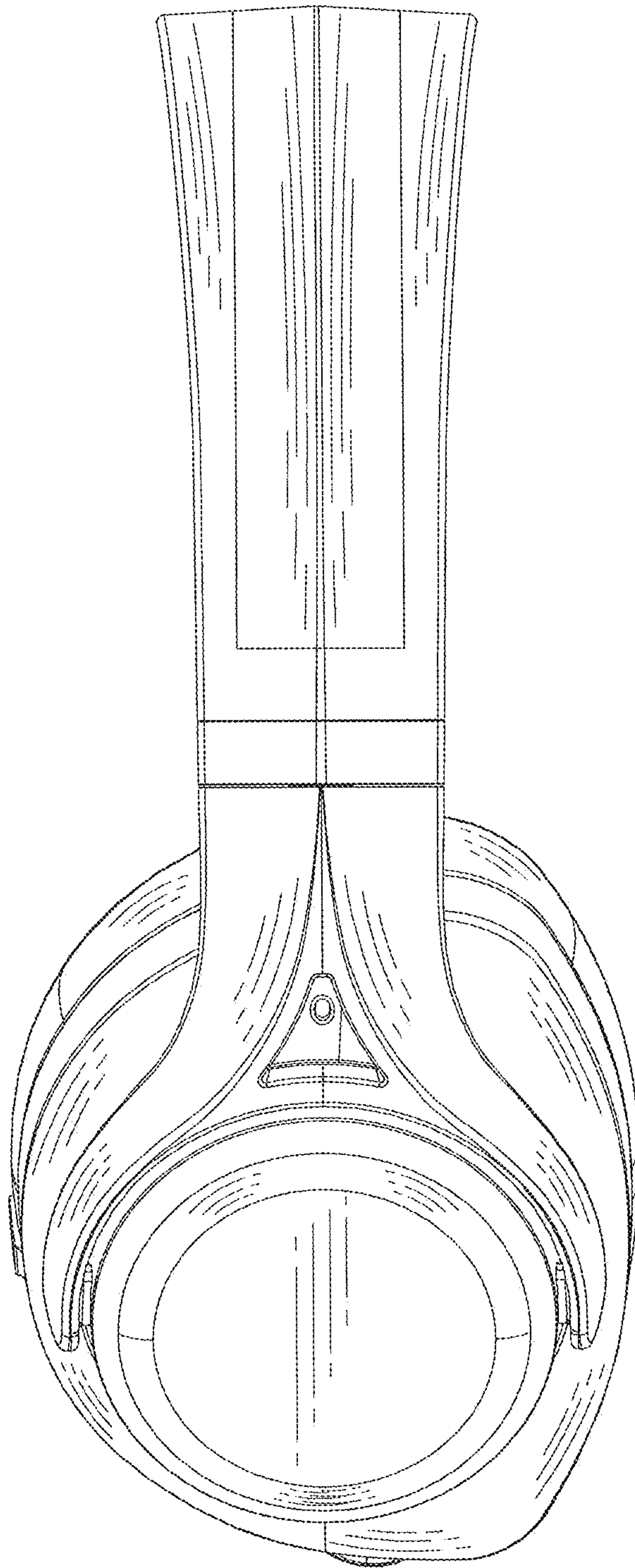


FIG. 4

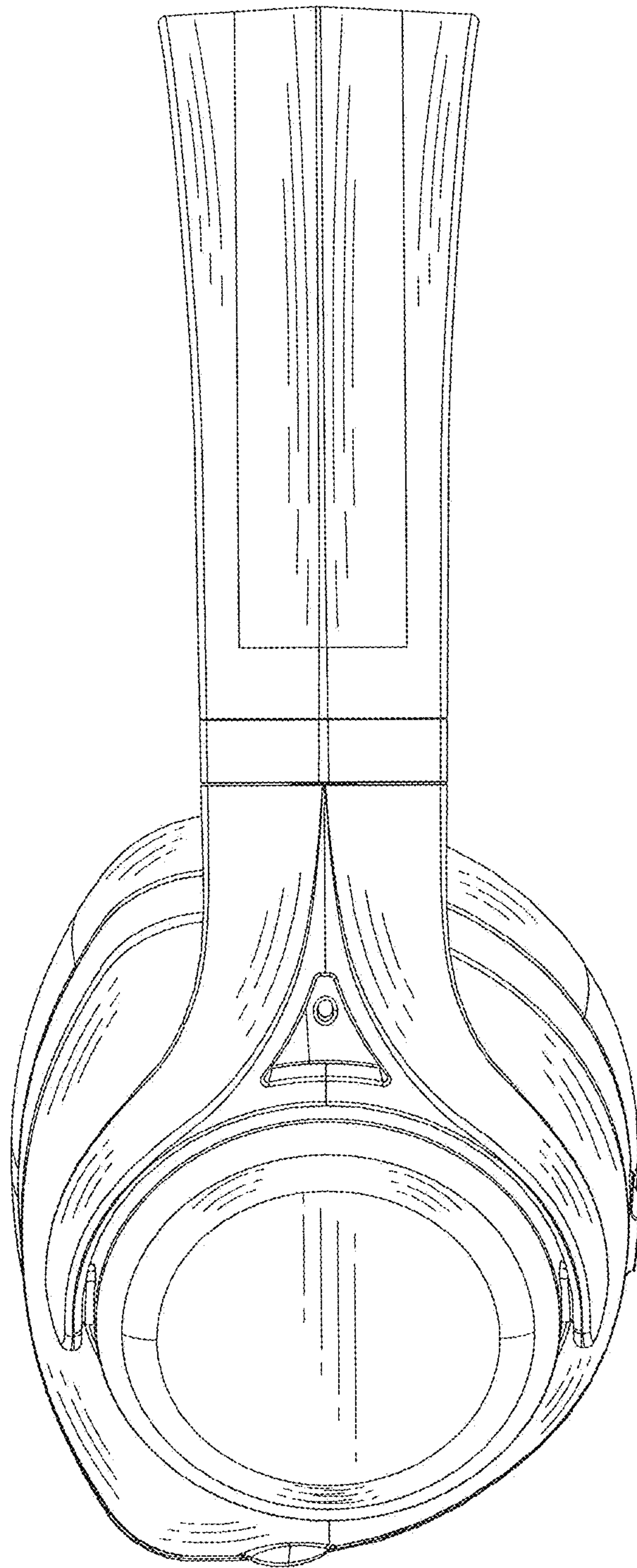


FIG. 5

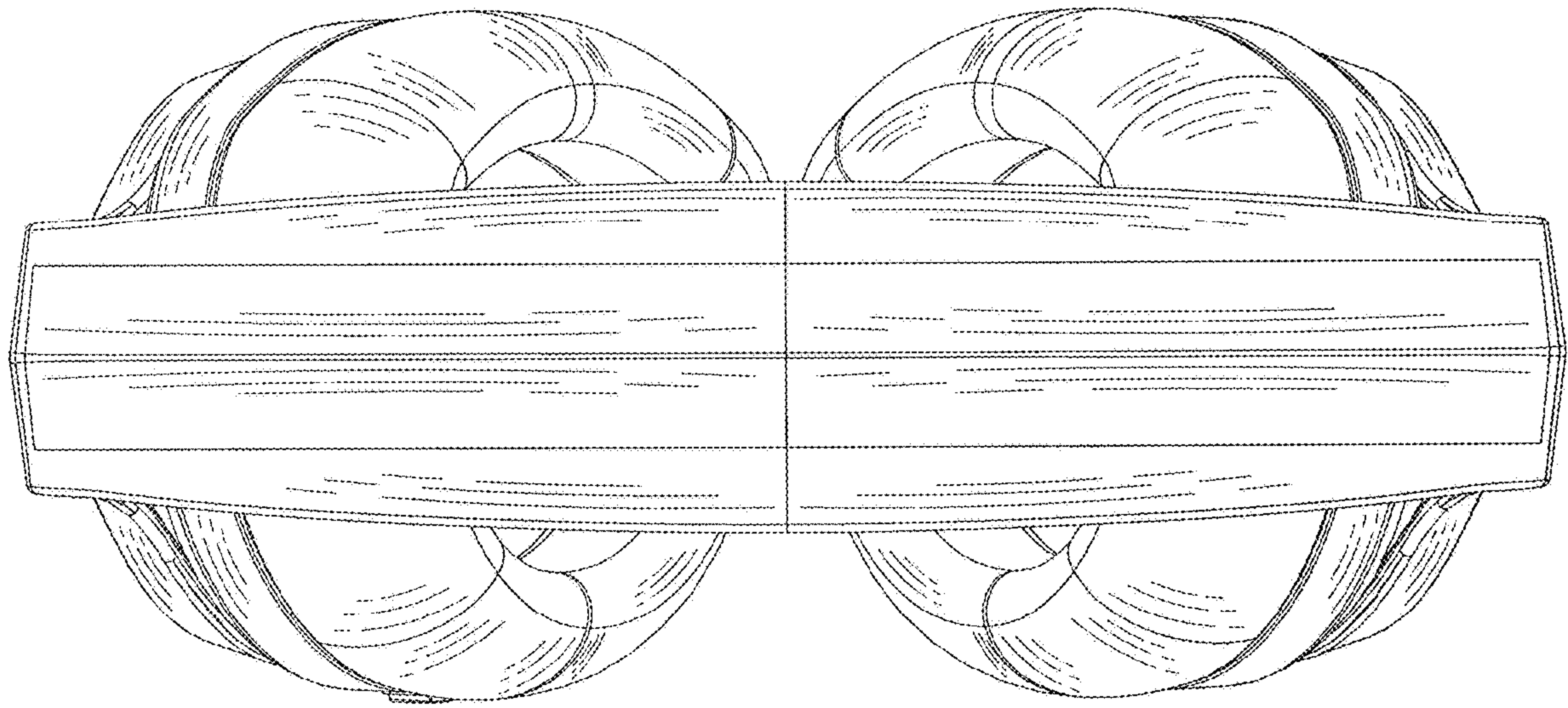


FIG. 6

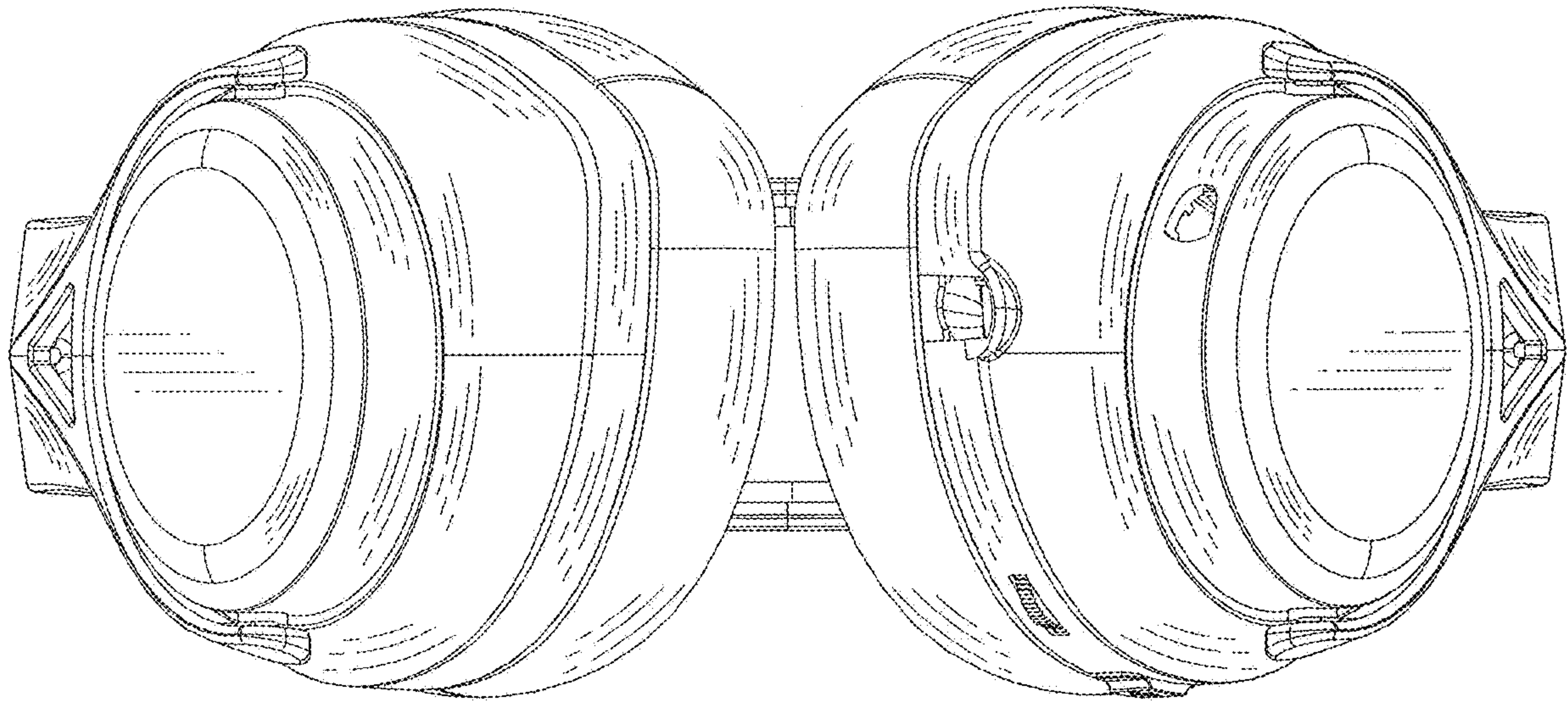


FIG. 7



FIG. 8