

US00D972526S

(12) **United States Design Patent** (10) **Patent No.:** **US D972,526 S**
Demin et al. (45) **Date of Patent:** **** Dec. 13, 2022**

(54) **LOUDSPEAKER**
(71) Applicant: **Harman International Industries, Incorporated, Northridge, CA (US)**

D870,705 S * 12/2019 Lee D14/216
D905,012 S * 12/2020 Lee D14/216
D908,661 S * 1/2021 Teruzzi D14/204
D922,558 S * 6/2021 Lee D23/366
D946,553 S * 3/2022 Cen D14/496

(72) Inventors: **Alexander Demin, Shenzhen (CN); Ondrej Vaclavik, Shenzhen (CN)**

OTHER PUBLICATIONS

(73) Assignee: **Harman International Industries, Incorporated, Northridge, CA (US)**

Design U.S. Appl. No. 29/675,376, filed Dec. 31, 2018.
Design U.S. Appl. No. 29/683,654, filed Mar. 14, 2019.
Design U.S. Appl. No. 29/689,118, filed Apr. 26, 2019.
Harman Kardon SoundSticks Setup Guide, 2000.
Harman Kardon SoundSticks II specification sheet, 2004.
Harman Kardon SoundSticks III specification sheet, 2010.
Harman Kardon SoundSticks Wireless Speaker System specification sheet, 2012.

(**) Term: **15 Years**

(Continued)

(21) Appl. No.: **29/704,163**

(22) Filed: **Sep. 3, 2019**

Primary Examiner — Khawaja Anwar

(51) **LOC (13) Cl.** **14-03**

(74) *Attorney, Agent, or Firm* — Plumsea Law Group, LLC

(52) **U.S. Cl.**
USPC **D14/204**

(58) **Field of Classification Search**
USPC D14/167, 168, 170–172, 188, 194–196,
D14/204, 209.1, 210–216, 219, 221, 222,
D14/224, 239, 496
See application file for complete search history.

(57) **CLAIM**

The ornamental design for a loudspeaker, as shown and described.

DESCRIPTION

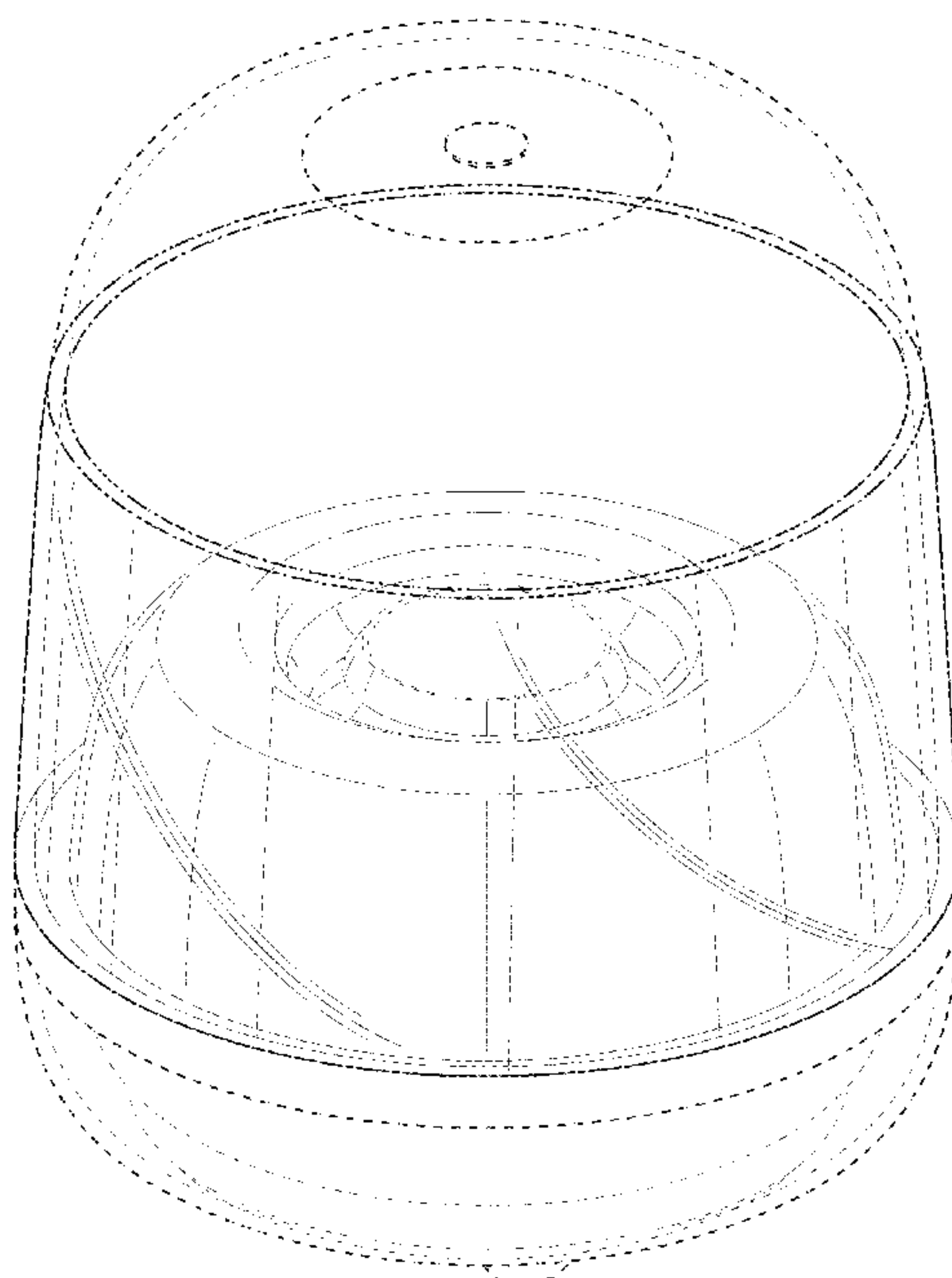
(56) **References Cited**

FIG. 1 is a perspective view of a loudspeaker showing the new design;
FIG. 2 is a front elevational view thereof;
FIG. 3 is a rear elevational view thereof;
FIG. 4 is a side elevational view thereof;
FIG. 5 is an opposite side elevational view thereof;
FIG. 6 is a top view thereof; and,
FIG. 7 is a bottom view thereof.
The dot-dash broken lines represent bounds of the claimed design, while all other broken lines illustrate portions of the loudspeaker; the broken lines form no part of the claimed design.

U.S. PATENT DOCUMENTS

D507,790 S 7/2005 Dayan
D518,026 S 3/2006 Dayan
D712,378 S * 9/2014 Mackiewicz D14/216
D743,377 S 11/2015 Mackiewicz et al.
D758,992 S 6/2016 Garrett et al.
D780,160 S * 2/2017 Hinokio D14/215
D791,735 S 7/2017 Kalyuzhny et al.
D839,852 S 2/2019 Garrett et al.
D840,436 S 2/2019 Demin et al.
D843,418 S 3/2019 Demin et al.
D843,419 S 3/2019 Vaclavik et al.
D870,701 S * 12/2019 Lee D14/216

1 Claim, 7 Drawing Sheets



(56)

References Cited

OTHER PUBLICATIONS

Unmakr, "MoMA Approved Harman Kardon Soundsticks II Teardown," Medium.com, dated May 16, 2018. Retrieved Dec. 3, 2019 from internet: <<https://medium.com/@unmakr/moma-approved-harman-kardon-soundsticks-ii-teardown-f5ef983185cb>>.

Sparrow, Mark, "Harman Kardon Soundsticks Are Still The Ideal Apple Mac Partner Some Two Decades On," Forbes.com, dated Apr. 9, 2019. Retrieved Dec. 3, 2019 from internet: <<https://www.forbes.com/sites/marksparrow/2019/04/09/harman-kardon-soundsticks-are-still-the-ideal-apple-mac-partner-some-two-decades-on/#3d0f9a551f3d>>.

Design U.S. Appl. No. 29/704,161, filed Sep. 3, 2019.

* cited by examiner

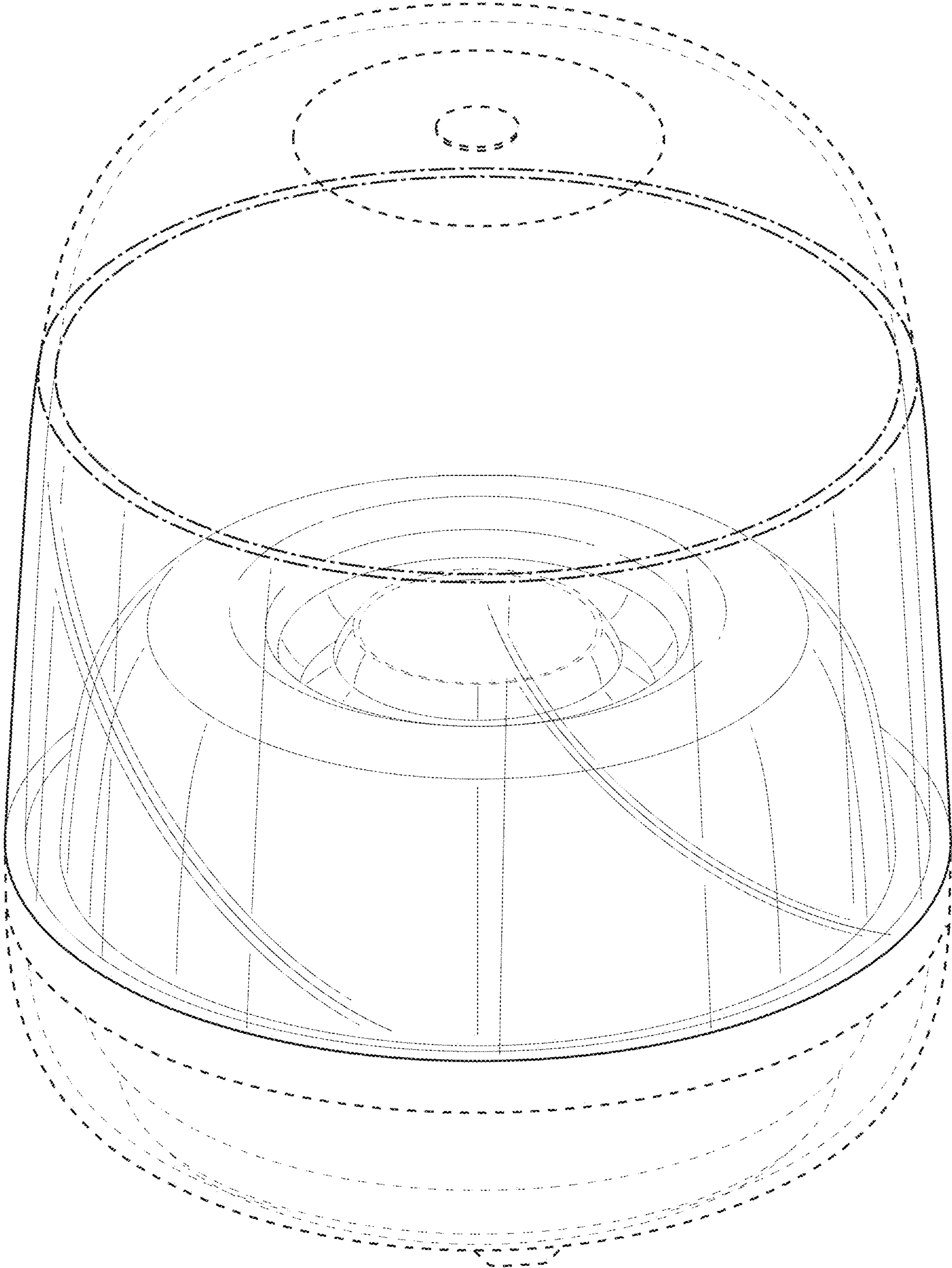


FIG. 1

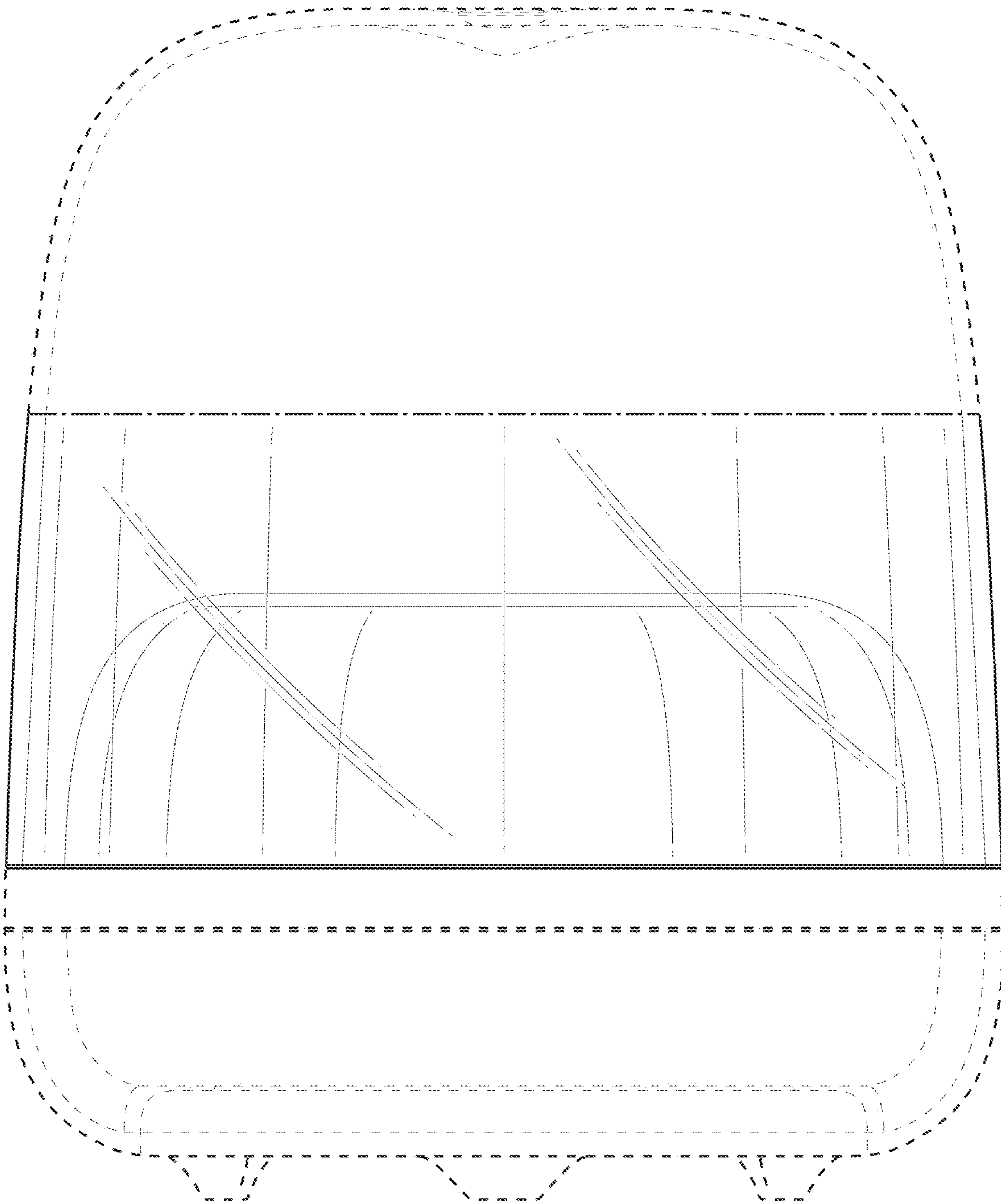


FIG. 2

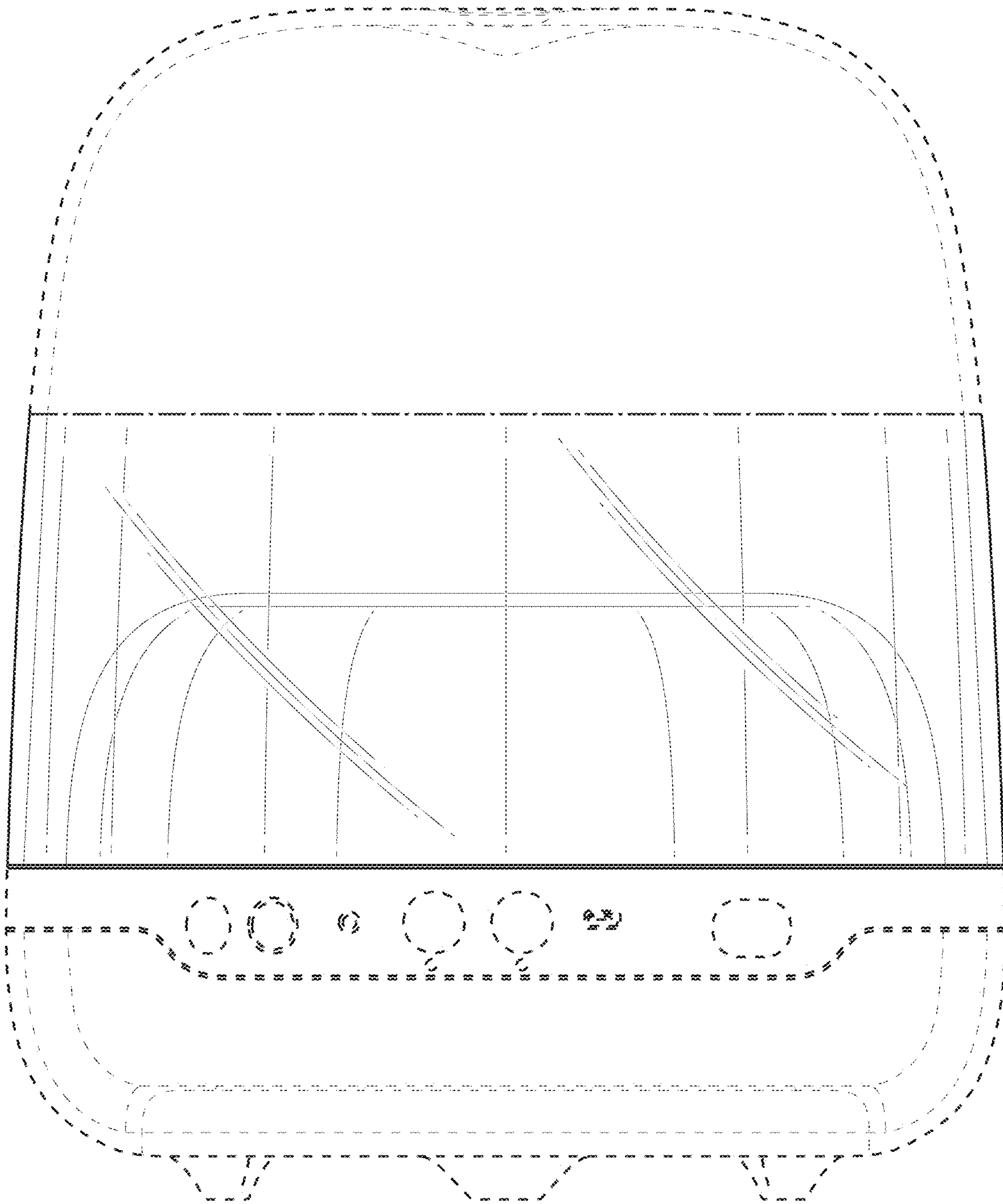


FIG. 3

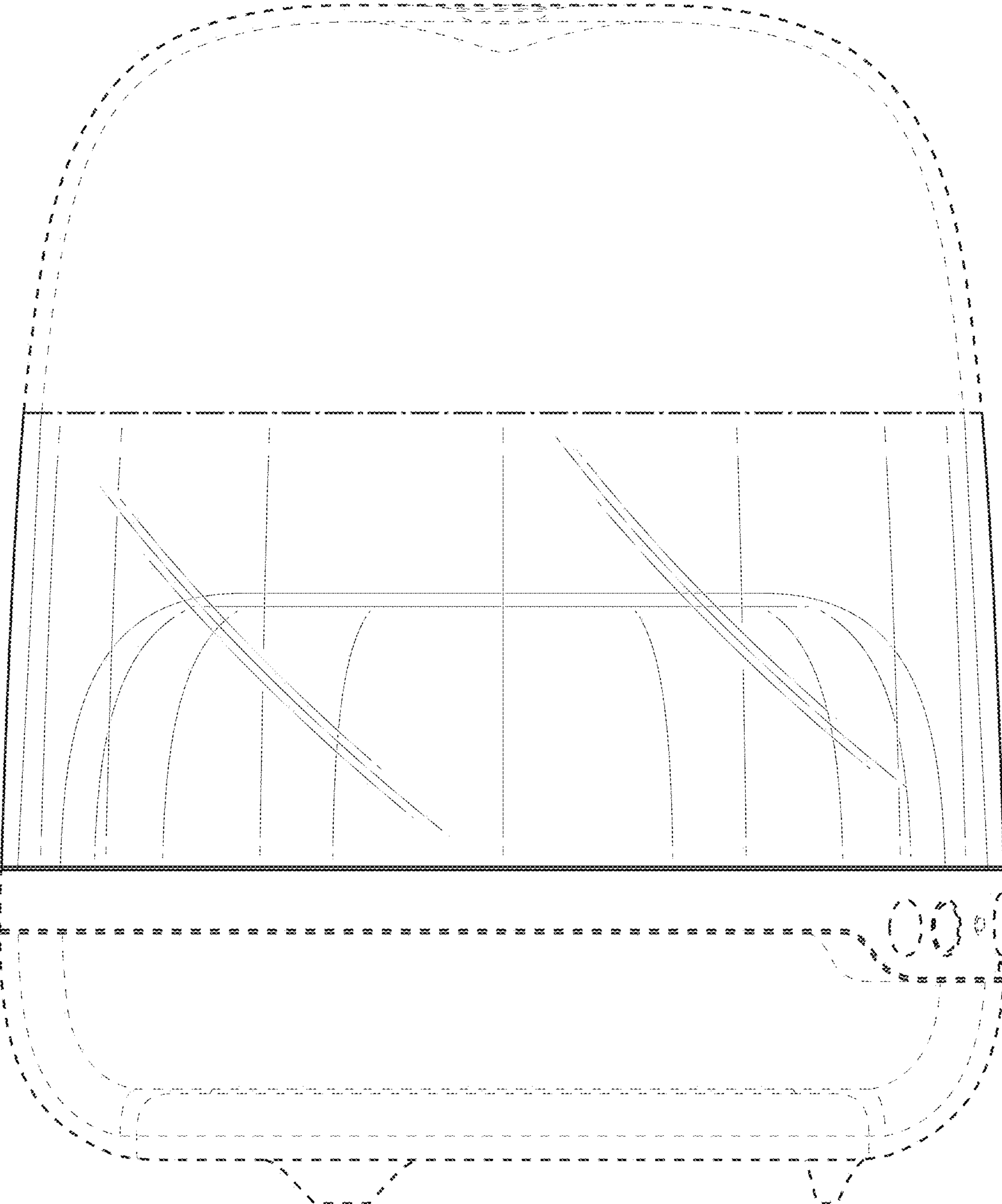


FIG. 4

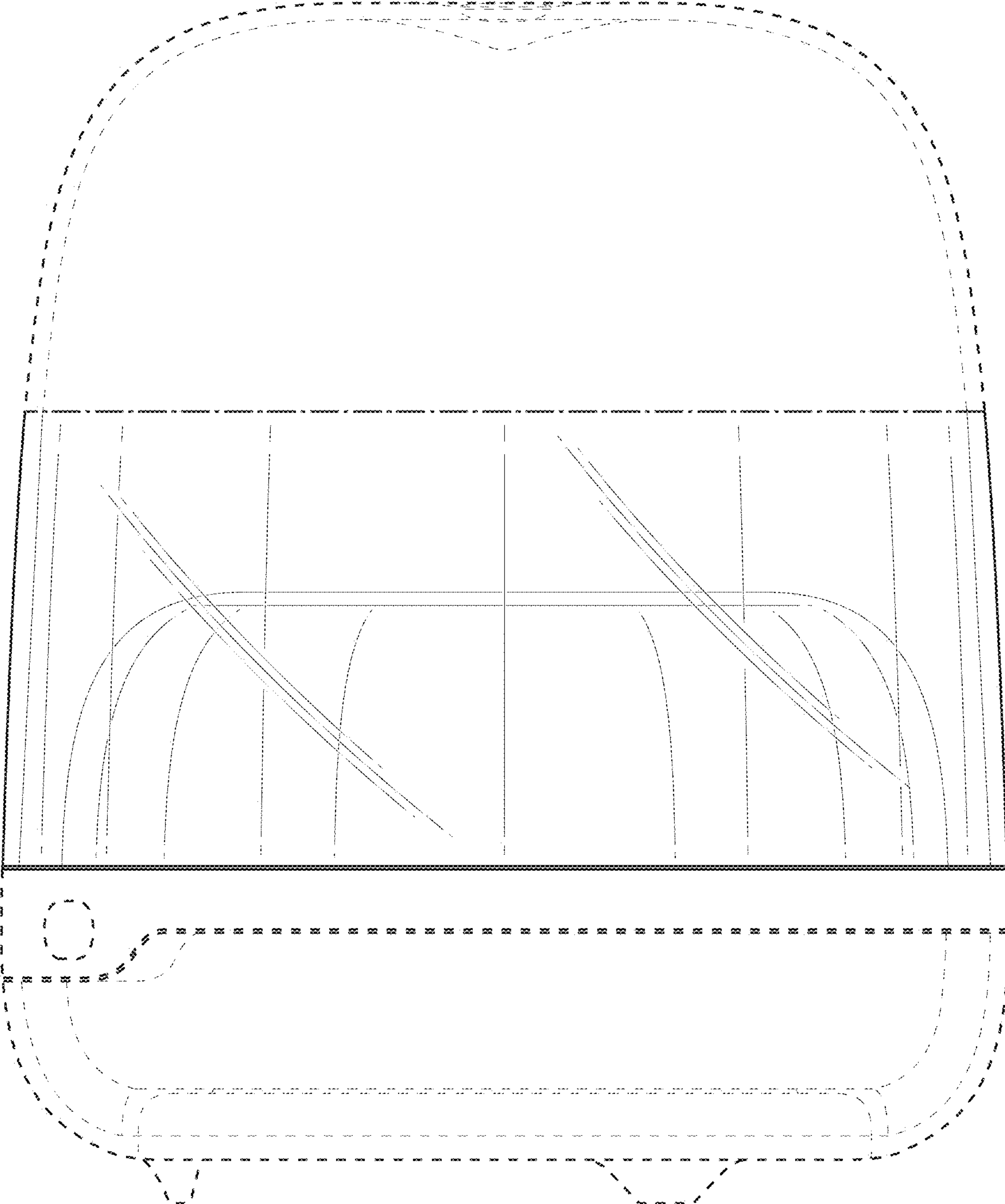


FIG. 5

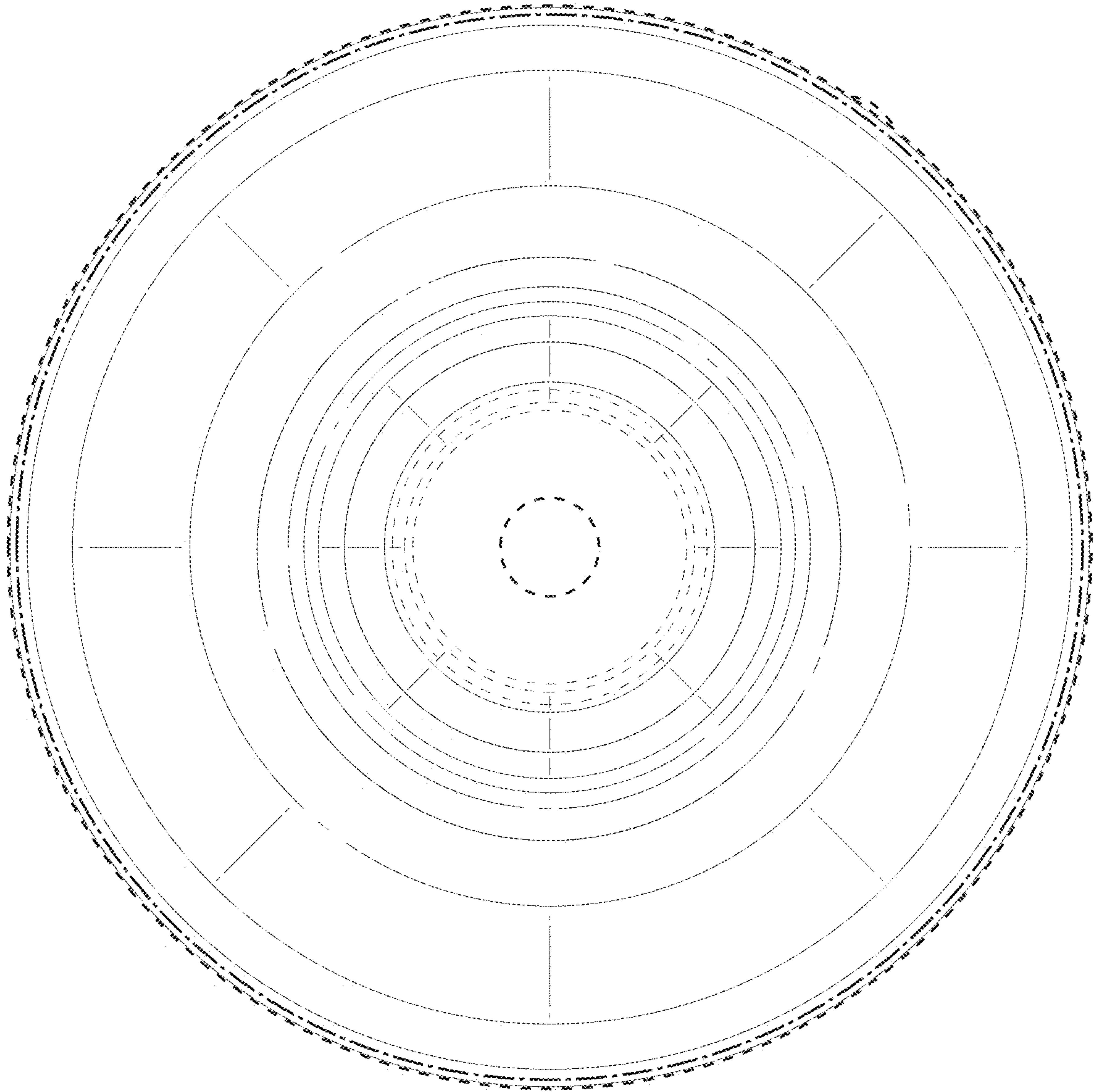


FIG. 6

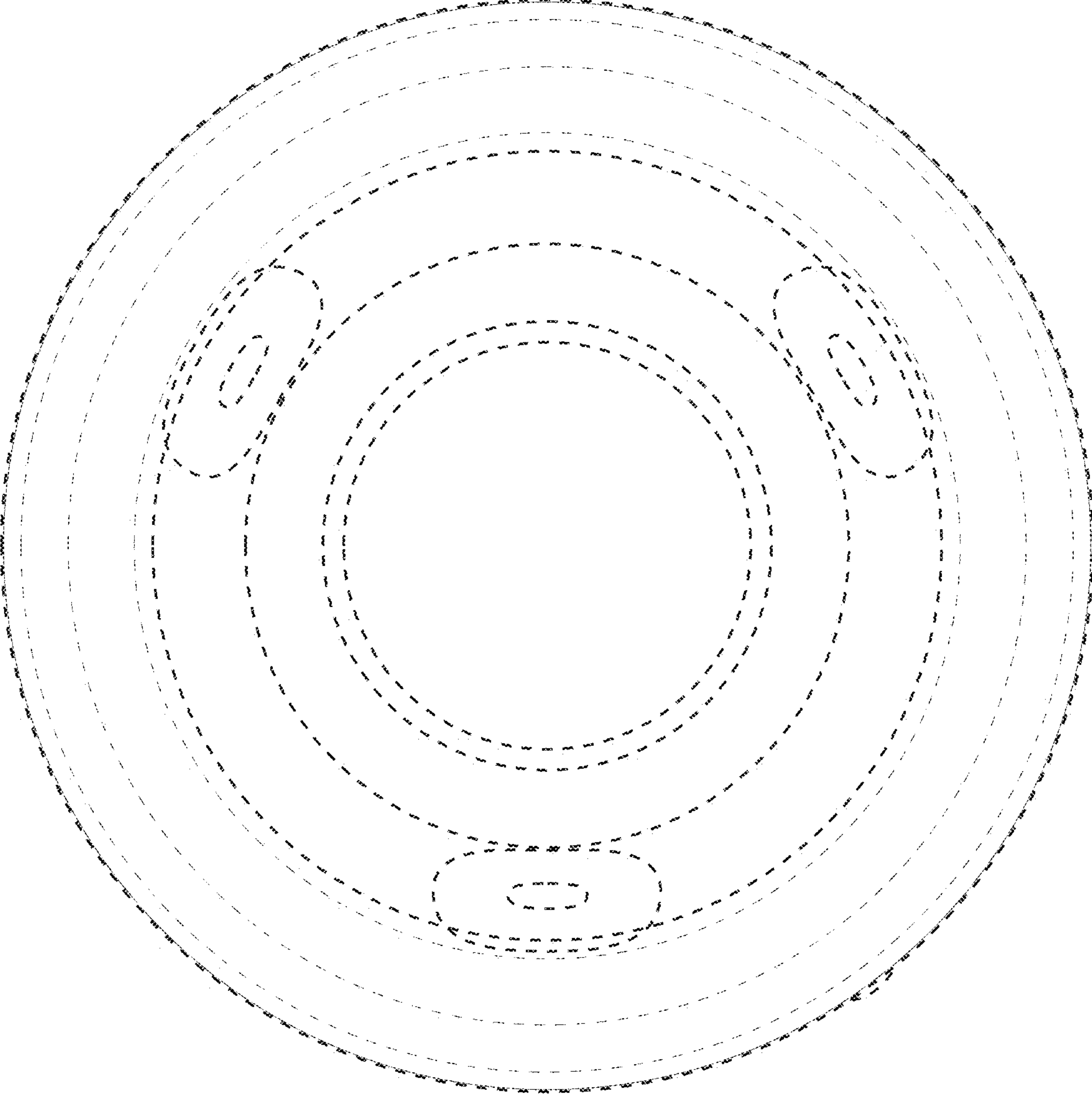


FIG. 7